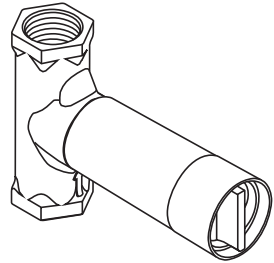
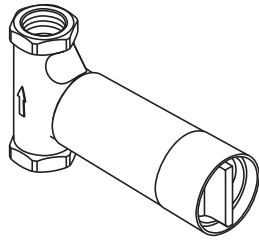


- EN** Installation / User Instructions / Warranty
- FR** Instructions de montage / Mode d'emploi / Garantie
- ES** Instrucciones de montaje / Manejo / Garantía








Rough, Volume Control, 3/4"
15977181



Rough, Volume Control, 1/2"
15974181

English

Safety Notes

-  **WARNING: To avoid the risk of product failure, property damage, and personal injury, do the following:**
-  This product should be installed by a licensed professional plumber.
-  This product is for use with drinking water only.
-  Flush the lines thoroughly before installing the valve. Damage to the cartridge caused by debris is not covered under the Hansgrohe USA warranty.
-  **Failure to follow these instructions may result in product failure and property damage, and may void the warranty.**

Installation Considerations

- Read over these instructions thoroughly before beginning installation. Make sure that you have all tools and supplies needed to complete the installation.
- To prevent scald injury, the maximum output temperature of the shower mixing valve (not included) must be no higher than 120°F (49°C). In Massachusetts, the maximum output temperature can be no higher than 112°F (44°C).
- Keep this booklet and the receipt (or other proof of date and place of purchase) for this product in a safe place. The receipt is required should it be necessary to request warranty parts.

Technical Information

Water pressure	
Recommended	15 - 75 PSI (0.1 - 0.5 MPa)
Maximum	145 PSI (1 MPa)
Hot water temp.	
Recommended	120°-140° F (48° - 60° C)*
Maximum	158° F (70° C)*
Max. flow rate @ 44 PSI (0.3 MPa)	
15974181	10.5 GPM (40 L/min)
15977181	35 GPM (130 L/min)

- * Please know and follow all applicable local plumbing codes when setting the temperature on the water heater.

Français

Consignes de Sécurité

⚠ AVERTISSEMENT : Afin d'éviter les risques de défaillance du produit, de dommages matériels et de blessures corporelles, veuillez procéder de la manière suivante :

⚠ Ce produit devrait être installé par un plombier professionnel certifié.

⚠ Ce produit doit être utilisé avec de l'eau potable seulement.

⚠ Rincez abondamment les conduites avant d'installer la valve. La garantie É.-U. Hansgrohe ne couvre pas les dommages causés aux cartouches par les dépôts ou impuretés.

⚠ Le non-respect de ces instructions peut entraîner une défaillance du produit et des dommages matériels, ainsi que l'annulation de la garantie.

À prendre en considération pour l'installation






- Veuillez lire toutes ces instructions avant de procéder à l'installation. Assurez-vous de disposer de tous les outils et du matériel nécessaires pour l'installation.
- Pour empêcher des blessures par ébouillement, la température de sortie maximale du robinet de douche (non compris) ne doit pas excéder 120°F (49°C). Au Massachusetts, la température de sortie maximale du robinet de douche ne doit pas excéder 112°F (44°C).
- Conservez ce livret et le reçu (ou une autre preuve sur laquelle figurent la date et l'endroit de l'achat) pour ce produit dans un endroit sûr. Le reçu est requis si vous commandez des pièces sous garantie.

Données techniques

Pression d'eau	
recommandée	15 - 75 PSI (0.1 - 0.5 MPa)
maximum	145 PSI (1 MPa)
Température d'eau chaude	
recommandée	120°-140° F (48° - 60° C)*
maximum	158°F (70° C)*
Capacité nominale @ 44 PSI (0.3 MPa)	
15974181	10.5 GPM (40 L/min)
15977181	35 GPM (130 L/min)

* Vous devez connaître et respecter tous les codes de plomberie locaux applicables pour le réglage de la température du chauffe-eau.

Indicaciones de seguridad

-  **ADVERTENCIA: Para evitar el riesgo de falla del producto, daño a la propiedad y lesiones personales, haga lo siguiente:**
-  Este producto debe ser instalado por un plomero profesional matriculado.
-  Este producto ha sido creado para su uso exclusivo con agua potable.
-  Lave a fondo las tuberías antes de instalar la válvula. Los daños al cartucho causados por los desechos no están cubiertos por la garantía de Hansgrohe para EE.UU.
-  **No seguir estas instrucciones puede resultar en la falla del producto y daño de la propiedad, y puede anular la garantía.**

Consideraciones para la instalación

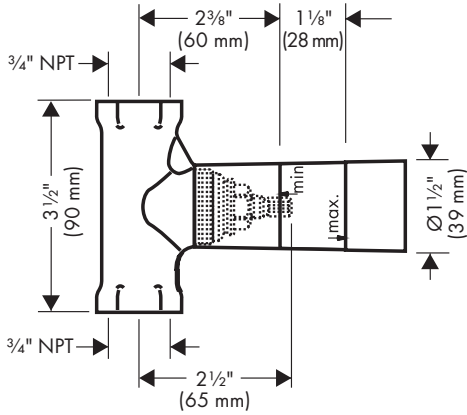
- Antes de comenzar la instalación, lea estas instrucciones detenidamente. Asegúrese de tener las herramientas y los insumos necesarios para completar la instalación.
- Para evitar escaldaduras, la máxima temperatura de salida de la válvula de la ducha no debe exceder los 120°F (49°C). En Massachusetts, la máxima temperatura de salida de la válvula de la ducha (no incluida) no debe exceder los 112°F (44°C).
- Mantenga este folleto y el recibo (u otro comprobante del lugar y fecha de compra) de este producto en lugar seguro. El recibo se requiere en caso de ser necesario solicitar piezas bajo garantía.

Datos técnicos

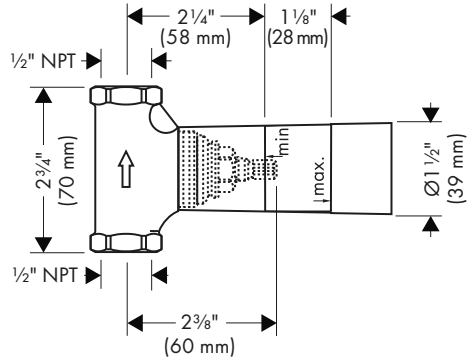
Presión en servicio	
recomendada	15 - 75 PSI (0.1 - 0.5 MPa)
max.	145 PSI (1 MPa)
Temperatura del agua caliente	
recomendada	120°-140° F (48° - 60° C)*
max.	158°F (70° C)*
Caudal máximo @ 44 PSI (0.3 MPa)	
15974181	10.5 GPM (40 L/min)
15977181	35 GPM (130 L/min)

* Debe conocer y cumplir todos los códigos locales aplicables para ajustar la temperatura del calentador de agua.

Rough, Volume Control, 3/4"
15977181

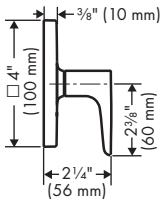


Rough, Volume Control, 1/2"
15974181

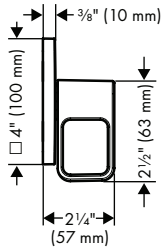


Trim kits (not included / non compris / no incluidos)

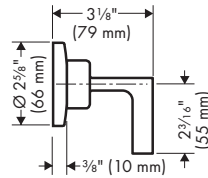
AXOR Citterio M
34964XX1



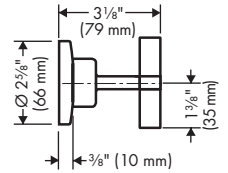
AXOR Urquiola
11960XX1



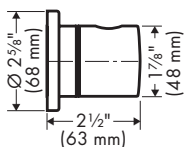
AXOR Citterio
39961XX1



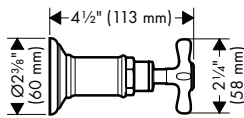
AXOR Citterio
39967XX1



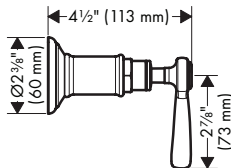
AXOR Uno
38974XX1



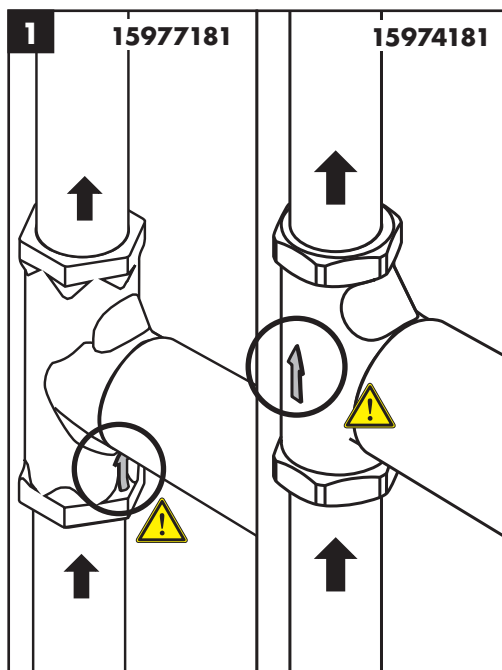
AXOR Montreux
16873XX1



AXOR Montreux
16872XX1



Installation / Installation / Instalación



An arrow showing the direction of the water flow is cast into the valve body.

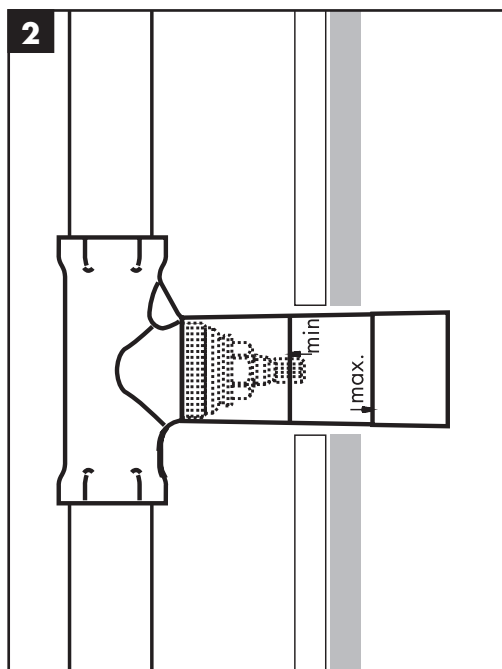
⚠ WARNING! Risk of product damage: The water must flow through the valve in that direction or damage to the cartridge will occur.

Une flèche indiquant la direction du débit figure sur le corps de la valve.

⚠ AVERTISSEMENT! Risque d'endommagement du produit !: Si l'eau ne coule pas dans la valve dans cette direction, la cartouche sera endommagée.

En el cuerpo de la válvula está fundida una flecha que muestra el sentido del flujo de agua.

⚠ ¡ATENCIÓN! ¡Riesgo de daños en el producto! : El agua debe circular por la válvula en ese sentido, puesto que de lo contrario puede dañarse el cartucho.



Install the valve so that the outside surface of the finished wall falls between the "minimum" and "maximum" lines marked on the plaster shield.

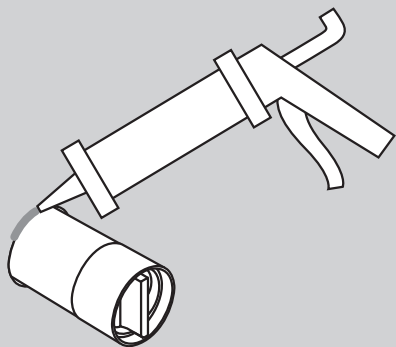
⚠ Do not remove the plaster shield from the valve.

Installez la valve de façon à ce que la surface extérieure du mur fini tombe entre les lignes « minimum » et « maximum » figurant sur le protecteur de plâtre.

⚠ Ne retirez pas le protecteur de plâtre de la valve.

Instale la válvula de modo que la superficie exterior de la pared terminada quede entre las línea "min" y "max" marcadas en el protector de yeso.

⚠ No retire el protector de yeso de la válvula.

3

Install the greenboard or drywall.

⚠ Seal the opening around the volume control valve with waterproof sealant.

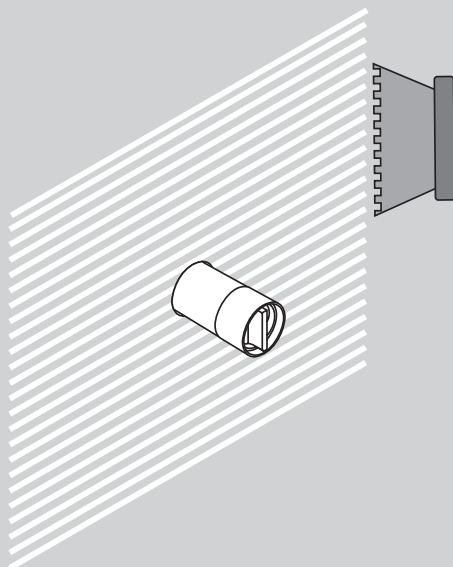
Failure to seal the opening may result in water damage.

Une fois la cloison sèche ou la céramique installée, scellez l'ouverture autour de le protecteur de plâtre de la valve à l'aide d'un agent d'étanchéité.

⚠ Si l'ouverture n'est pas scellée, l'eau pourrait éventuellement causer des dommages.

Quando se instala la tabla roca o panel verde, selle la abertura alrededor del protector de yeso de la válvula con un sellador impermeable.

⚠ Si la abertura no se sella, pueden producirse daños por acción del agua.

4

Apply adhesive (not included) to the wall around the valve.

Do not use hot glue as it will damage the gasket.

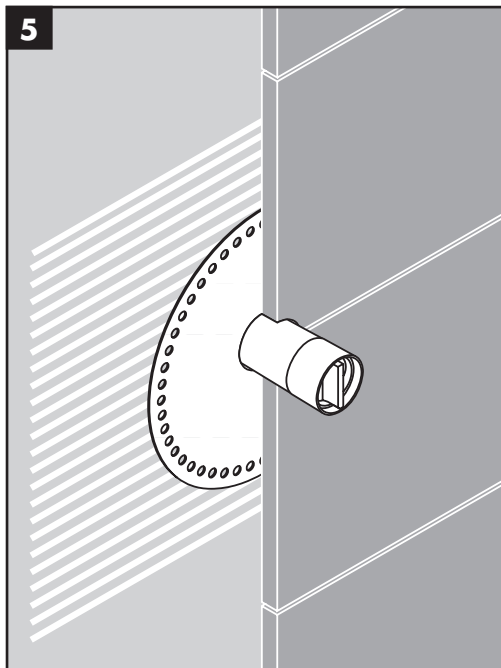
Appliquez un adhésif (non compris) sur le mur autour de la valve.

N'utilisez pas de colle chaude car vous pourriez endommager le joint.

Aplique adhesivo (no incluido) a la pared alrededor de la válvula.

No use cola caliente, puesto que daña la junta.

5



Install the gasket over the volume control.

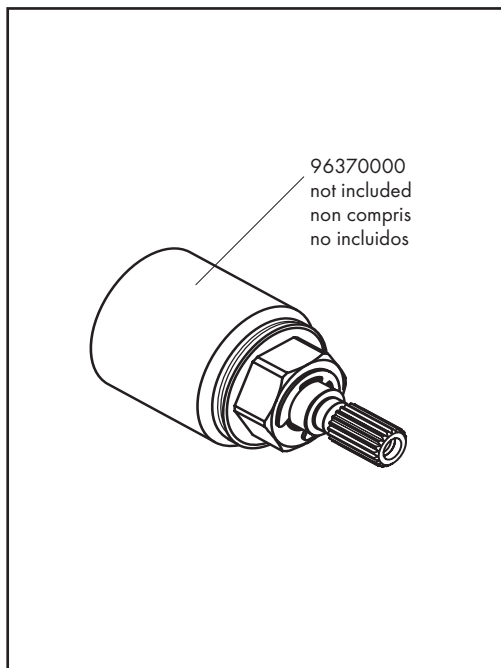
Install the finished wall material (tile, etc.) over the gasket.

Installez le joint sur le robinet.

Installez le matériel de finition du mur (carreaux, etc.) par-dessus le joint.

Instale la junta sobre la válvula.

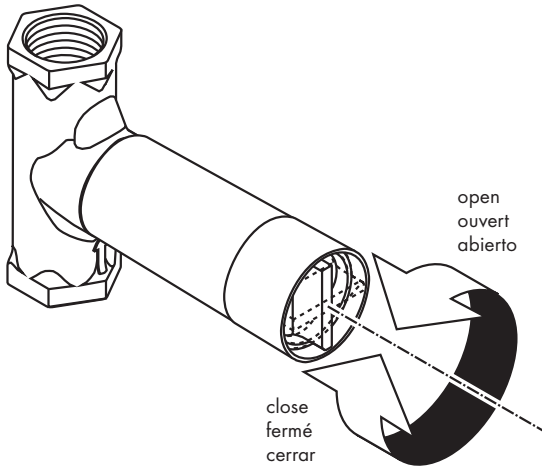
Instale el material de la pared terminada (azulejo, etc.) sobre la junta.



If the outside surface of the finished wall extends beyond the "maximum" marking on the plaster shield, order extension 96370000 through your Hansgrohe dealer.

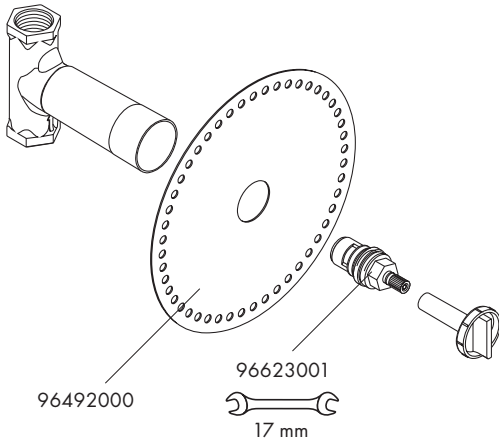
Si la surface extérieure du mur fini va au-delà de la marque « maximum » du protecteur de plâtre, commandez une rallonge 96370000 auprès de votre détaillant Hansgrohe.

Si la superficie exterior de la pared terminada se extiende más allá de la marca de "máximo" del protector de yeso, solicite la extensión 96370000 al concesionario de Hansgrohe.

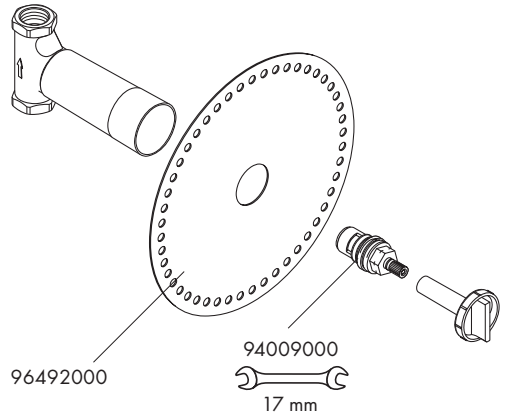


Replacement Parts / Pièces détachées / Repuestos

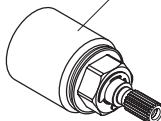
Rough, Volume Control, 3/4"
15977181



Rough, Volume Control, 1/2"
15974181



96370000
not included
non compris
no incluidos



Hansgrohe, Inc. Limited Warranty

Offering our customers the highest quality at all times is a fundamental part of the Hansgrohe, Inc. company philosophy. We offer consumers a limited warranty on our hansgrohe® and AXOR® branded products.

This warranty is limited to products manufactured by Hansgrohe, Inc. that are purchased from a Hansgrohe, Inc. authorized seller by a consumer in the United States or Canada after September 1, 2019, and installed in either the United States or in Canada.

WARRANTY

Hansgrohe, Inc. warrants to the original consumer purchaser that hansgrohe and AXOR products will be free from defects in material and workmanship for as long as the original consumer purchaser owns both the product and the home in which the product was originally installed. For commercial purchasers, the warranty period is (a) one (1) year for hansgrohe products and (b) five (5) years for AXOR products, in each case from the date of purchase. The warranty period for products in the Rubbed Bronze, Matte Black and Matte White finishes are three (3) years from the date of purchase. This warranty is non-transferable.

WHAT WE WILL DO

Hansgrohe, Inc., at its option, will replace any product or part of the product that proves defective in workmanship and/or material, under normal installation, use, service and maintenance. If Hansgrohe, Inc. is unable to provide a replacement part or product and repair is not practical or cannot be made in timely fashion, Hansgrohe, Inc. may elect to refund the purchase price in exchange for the return of the defective product. REPAIR OR REPLACEMENT (OR, IN LIMITED CIRCUMSTANCES, REFUND OF THE PURCHASE PRICE) AS PROVIDED UNDER THIS LIMITED WARRANTY IS THE EXCLUSIVE REMEDY OF THE PURCHASER.

WHAT IS NOT COVERED BY THE WARRANTY

Because Hansgrohe, Inc. is unable to control the quality of hansgrohe or AXOR products sold by unauthorized sellers, unless otherwise prohibited by law, this warranty does not cover hansgrohe or AXOR products purchased from unauthorized sellers. Authorized sellers can be found on hansgrohe and AXOR branded websites.

Labor and other expenses for disconnection, deinstallation, or return of the product for warranty service (including but not limited to proper packaging and shipping costs), or for installation or reinstallation of the product are not covered by this warranty.

Hansgrohe, Inc. shall not be liable for any damage to the product resulting from

- reasonable wear and tear
- outdoor use
- misuse (including use of the product for an unintended application)
- freezing water
- excessive water pressure
- pipe corrosion in the home in which the product is installed

- abuse, neglect or improper or incorrectly performed installation, maintenance or repair, including the use of abrasive or caustic cleaning agents or “no-rinse” cleaning products.

This warranty does not cover: (i) accessories, connected materials and products, or related products not manufactured by Hansgrohe, Inc. (ii) any hansgrohe or AXOR product sold for display purposes or (iii) hansgrohe or AXOR products purchased from unauthorized sellers.

WHAT YOU MUST DO TO OBTAIN WARRANTY SERVICE OR INFORMATION

Contact your retailer, or contact Technical Service at:

Hansgrohe, Inc.
1492 Bluegrass Lakes Parkway
Alpharetta, GA 30004
Toll-free 800 -334- 0455

In requesting warranty service, you will need to provide:

1. The sales receipt or other evidence of the date and place of purchase.
2. A description of the problem.
3. Delivery of the product or the defective part, postage prepaid and carefully packed and insured, to:

Hansgrohe, Inc.
1492 Bluegrass Lakes Parkway
Alpharetta, GA 30004
Toll-free 800 -334- 0455

When warranty service is completed, any repaired or replacement product or part will be returned to you postage prepaid.

REVISED SEPTEMBER 1, 2019.

Limitation on Duration of Implied Warranties: Some States do not allow limitations on how long an implied warranty lasts, so the below limitations may not apply to you. TO THE MAXIMUM EXTENT PERMITTED BY APPLICABLE LAW, ANY IMPLIED WARRANTY, INCLUDING THE IMPLIED WARRANTIES OF MERCHANTABILITY AND OF FITNESS FOR A PARTICULAR PURPOSE, IS LIMITED TO THE STATUTORY PERIOD OR THE DURATION OF THIS WARRANTY, WHICHEVER IS SHORTER.

Limitation of Special, Incidental or Consequential Damages: Some States do not allow the exclusion or limitation of incidental or consequential damages, so the below limitations and exclusions may not apply to you. TO THE MAXIMUM EXTENT PERMITTED BY APPLICABLE LAW, THIS WARRANTY DOES NOT COVER, AND HANSGRÖHE, INC. SHALL NOT BE LIABLE FOR, ANY SPECIAL, INCIDENTAL OR CONSEQUENTIAL DAMAGES (INCLUDING LABOR CHARGES TO REPAIR, REPLACE, INSTALL OR REMOVE THIS PRODUCT), WHETHER ARISING OUT OF BREACH OF ANY EXPRESS OR IMPLIED WARRANTY, BREACH OF CONTRACT, TORT, OR OTHERWISE. HANSGRÖHE, INC. SHALL NOT BE LIABLE FOR ANY DAMAGE TO THE PRODUCT RESULTING

FROM REASONABLE WEAR AND TEAR, OUTDOOR USE, MISUSE (INCLUDING USE OF THE PRODUCT FOR AN UNINTENDED APPLICATION), FREEZING WATER, EXCESSIVE WATER PRESSURE, PIPE CORROSION IN THE HOME IN WHICH THE PRODUCT IS INSTALLED, ABUSE, NEGLIGENCE OR IMPROPER OR INCORRECTLY PERFORMED INSTALLATION, MAINTENANCE OR REPAIR, INCLUDING THE USE OF ABRASIVE OR CAUSTIC CLEANING AGENTS OR "NO-RINSE" CLEANING PRODUCTS.

Notice to residents of the State of New Jersey: The provisions of this warranty, including its limitations, are intended to apply to the fullest extent permitted by the laws of the State of New Jersey.

This warranty gives you specific legal rights, and you may also have other rights which vary from state to state.

PRODUCT INSTRUCTIONS AND QUESTIONS

Upon purchase or prior to installation, please carefully inspect your product for any damage or visible defect. Prior to installing, always carefully study the enclosed instructions on the proper installation and the care and maintenance of this product.

If you have questions at any time about the use, installation or performance of your product, or the Limited Warranty, please write us or call us toll-free at 800-334-0455.

hansgrohe

Hansgrohe, Inc. 1490 Bluegrass Lakes Parkway Alpharetta, GA 30004
Tel. 800-334-0455 Fax 770-889-1783

www.hansgrohe-usa.com