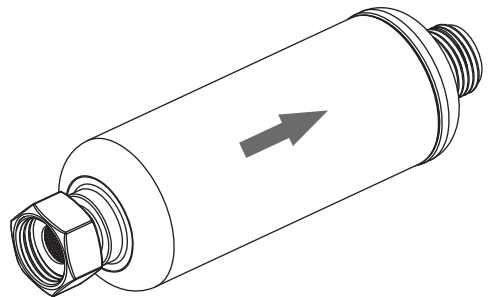


hansgrohe

Service

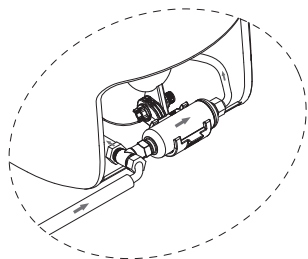


过滤器 / Filter

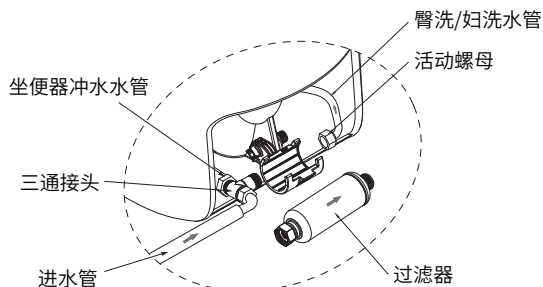
22405007



拆除步骤:

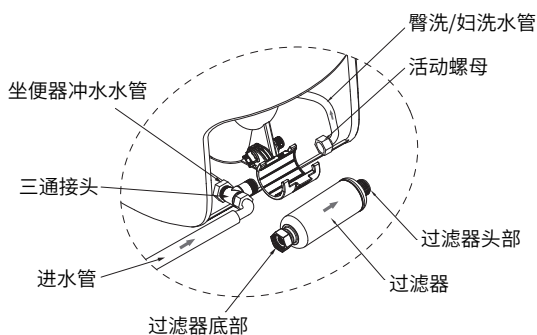


图一

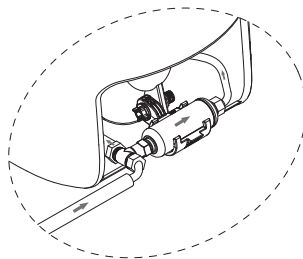


图二

安装步骤:



图三



图四

拆除步骤:如图一、二所示:

- 1、关闭角阀,逆时针旋开过滤器上的活动螺母,使臀洗/妇洗水管与过滤器分离;
- 2、将过滤器从支架上取出;
- 3、逆时针转动过滤器使其与三通接头分离;
- 4、旧过滤器拆除完成。

安装步骤:如图三、四所示:

- 1、将过滤器底部对准三通接头,然后顺时针旋紧过滤器;
- 2、将臀洗/妇洗水管的活动螺母对准过滤器头部,然后顺时针旋紧活动螺母;
- 3、将过滤器卡入固定架;
- 4、打开角阀,观察各连接位置是否安装到位,确保无漏水;
- 5、安装完成。



Disassembly Steps:

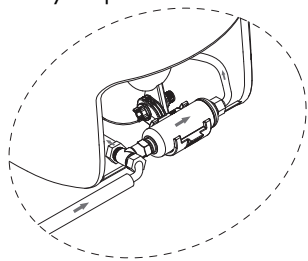


FIG. 1

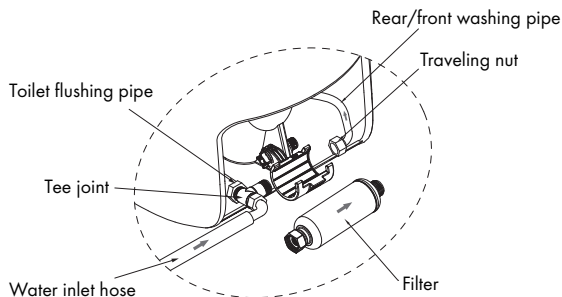


FIG. 2

Installation Steps:

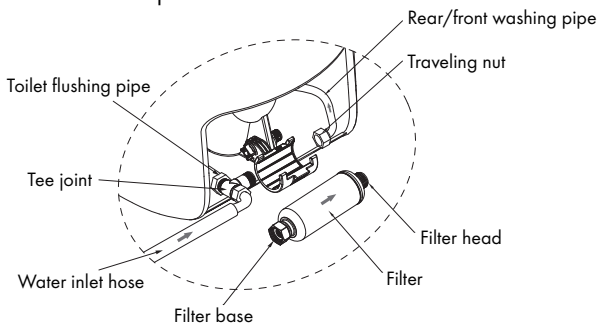


FIG. 3

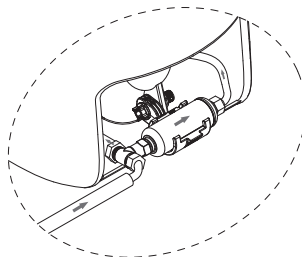


FIG. 4


Disassembly Steps: As shown in FIG. 1 and FIG. 2,

1. Close the angle valve, and unscrew the traveling nut on the filter counterclockwise to disconnect the rear/front washing pipe from the filter;
2. Remove the filter from the holder;
3. Turn the filter counterclockwise to disconnect it from the tee joint;
4. Complete the disassembly of the old filter.

Installation Steps: As shown FIG. 3 and FIG. 4,

1. Align the filter base with the tee joint, and then tighten the filter traveling nut clockwise;
2. Align the traveling nut of the rear/front washing pipe with the filter head, and tighten the traveling nut clockwise;
3. Snap the filter into the holder;
4. Open the angle valve to observe if all the connections are installed properly, and make sure that there is no water leakage;
5. Complete the installation.



 微信扫一扫，使用小程序

hansgrohe

Hansgrohe · AuestraÙe 5 - 9 · D-77761 Schiltach · Telefon +49 (0) 78 36/51-1282 · Telefax +49 (0) 7836/51 1440
E-Mail: info@hansgrohe.com · Internet: www.hansgrohe.com

04/2023
9.072.62.51