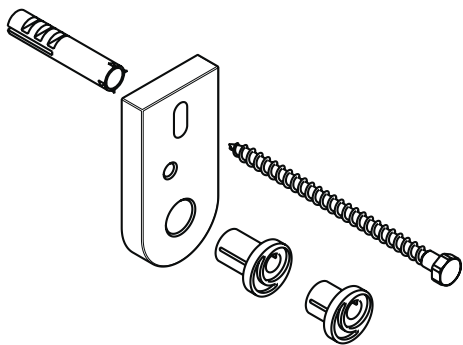
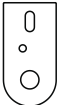
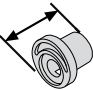


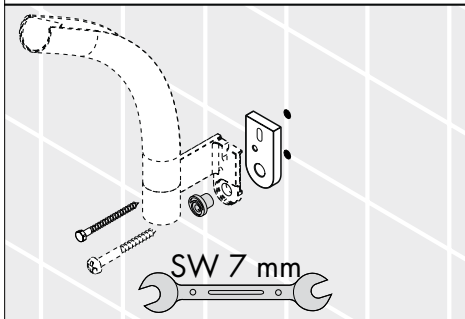
Montageanleitung

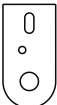
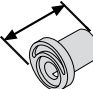


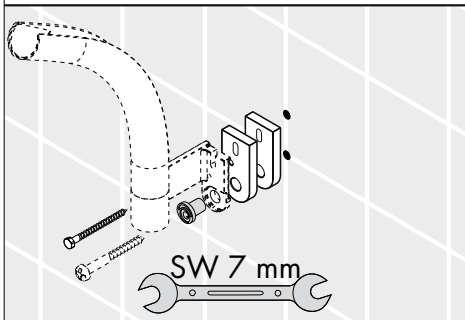
Rainbow
28699000

hansgrohe

1 x  = 13 mm 



2 x  = 16 mm 



hansgrohe