

LavaPura Element S

Wall hung Shower Toilet E
22469008

Contents

Installation

Safety Instructions	3
Dimensions	5
Technical Specifications	6
Sketch	7
List of Materials	8
Preparation before installation	9
Pre-installation confirmation	10
Installation of toilet	12
Installation of the remote control	18

Instructions for Use

Automatic lid opening/closing function	19
Functional Buttons of Main Unit	20
Usage of Remote Control	20

Routine Maintenance

Maintenance and Care of Main Unit	24
Maintenance and Care of Remote Control	24
Maintenance and Care of Spray Nozzle	24
Filter cleaning	24

Other

Fault Analysis and Solution	25
Warranty Policy	26

Safety Instructions



Please read this manual carefully before installation, and install this product in strict accordance with the manual. After reading, please keep this manual properly in a safe place.



To prevent users and others from injuries and property damages, please strictly observe the safety warnings and precautions.

Symbol Illustration

Warning	It indicates that serious injuries or deaths may be caused if you do not follow the instructions in this warning and operate this unit incorrectly.
Caution	It indicates that injuries or property losses may be caused if you do not follow the instructions in this caution and operate this unit incorrectly.

The following symbols are used to indicate important safety precautions when this product is used.

Symbol	Description
	This symbol indicates something to not do, meaning [prohibited].
	This symbol indicates something that must be performed [must do].

Warning	
	<ul style="list-style-type: none"> Do not put lit cigarettes and other burning materials into the toilet seat. Otherwise, it may cause a fire. Never disassemble, repair or modify this product by yourself. Otherwise, it may cause a fire or an electric shock. Never pour water or detergent on the main unit or the power connection. Otherwise, it may cause a fire or an electric shock. Never touch the power connection with wet hands. Otherwise, it may cause electric shock. It is strictly prohibited to use a power switch that is loose or unstable. Otherwise, it may cause a fire or an electric shock. If the flexible power cord is damaged, it must be replaced by a professional in order to avoid danger. This product is an electrical product. Never place it in a place where it is likely to be damped by water. Never put fingers or other objects into or block the warm wind outlet. Otherwise, it may cause scalds, electric shocks or burns. When this product is energized, do not lay this product on its side or invert it. Otherwise, it may cause a fire or burns. Do not install or use this product in a bathroom or other damp places.
	<ul style="list-style-type: none"> This product does not have its own leakage protection function and should be installed on a circuit equipped with a leakage protection device to ensure safe use. Otherwise, accidental product failure may lead to life-threatening situations or property damage. This product must be grounded securely. This product must be connected to a 230V/50Hz power supply with a load current of at least 10A and must be equipped with a ground fault circuit interrupter (GFCI), earth leakage circuit breaker (ELCB), or a similar high-sensitivity, fast-response leakage switch (with the rated sensitive current of 10mA or less).(with the rated sensitive current of 10mA or less).

Warning



- The power switch and power disconnect device should be installed in a location that is not easily exposed to water. It is recommended to use a waterproof power disconnect device.
- When installing this product, a power disconnect device that can completely cut off the power supply to the entire product must be connected in series in the power supply circuit of the same room where the product is installed to ensure safe use. Otherwise, unexpected malfunctions of this product may result in life-threatening or property damage.
- When installing this product, switch device that can fully disconnect the power supply of this product must be installed at the front end of the fixed wiring.
- New hose assemblies and other incidental or designated parts attached to the appliance shall be used for installation. Old hose assemblies cannot be reused, otherwise water leakage, fire or electric shock may be caused.
- When the product is moved to indoor from cold or humid place, first place it for 2 hours, so that the condensate water in the machine is fully volatilized, and then start up for use, so as to avoid short circuit of the product.

Caution

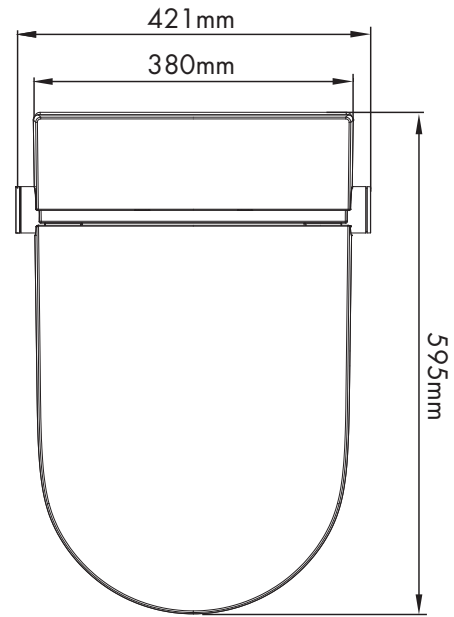
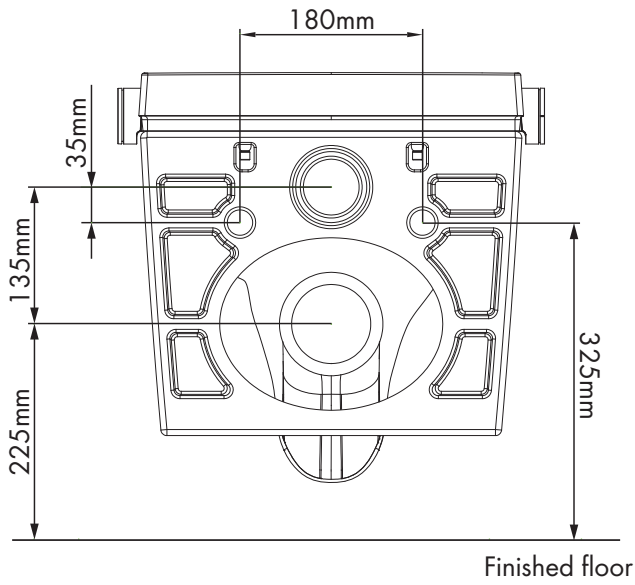


- During a thunderstorm, the power disconnect device at the user's building power supply end must be disconnected.
- Do not place this product at a place where it may fall or be pulled into a bathtub or sink.
- Do not place this product in water or other liquids.
- Do not touch this product when it has fallen into or immersed in water and immediately unplug the power disconnect device at the user's building power supply end.
- Do not stand on the toilet or strike the ceramic with heavy force, so as to prevent the toilet from damage and water leakage.
- Never embed a cementitious material (cement mortar) in the base of the toilet. Otherwise, the ceramic may crack due to expansion.
- Never apply a heavy force or impact to the toilet. Do not stand on the seat, lid or main unit. Do not place any heavy objects on the toilet.
- Never clean this product with banana oil, gasoline, chemical and detergent, insecticide, toilet cleaner and hard brush.
- Do not use the water other than the GB 5749 standard tap water. Otherwise, it may cause problems such as system failure or skin irritation.
- Do not expose this product to the sunlight directly, to prevent it from discoloration and compromised remote control function.
- The seat and lid of this product have a feature of slow descent, and do not press them forcibly so as to prevent the descender from being damaged.
- Do not connect the water inlet hose to the water outlet pipe of the water heater, where the inlet water temperature is 3-35 °C, and the built-in heating assembly may not work when the temperature exceeds the specified range.
- When using this product, do not lean back on the lid to avoid damaging this product.
- Do not flush objects likely to cause blockage, such as toilet paper, paper urine pad, and maternity sanitary napkins, into the toilet.
- If this product does not work normally or fails, please stop using it and cut off the power supply immediately, and contact the service provider timely.

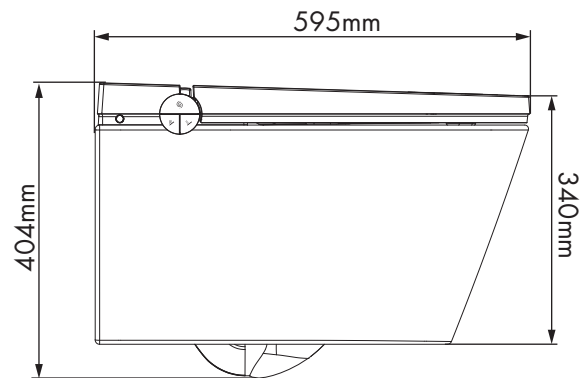
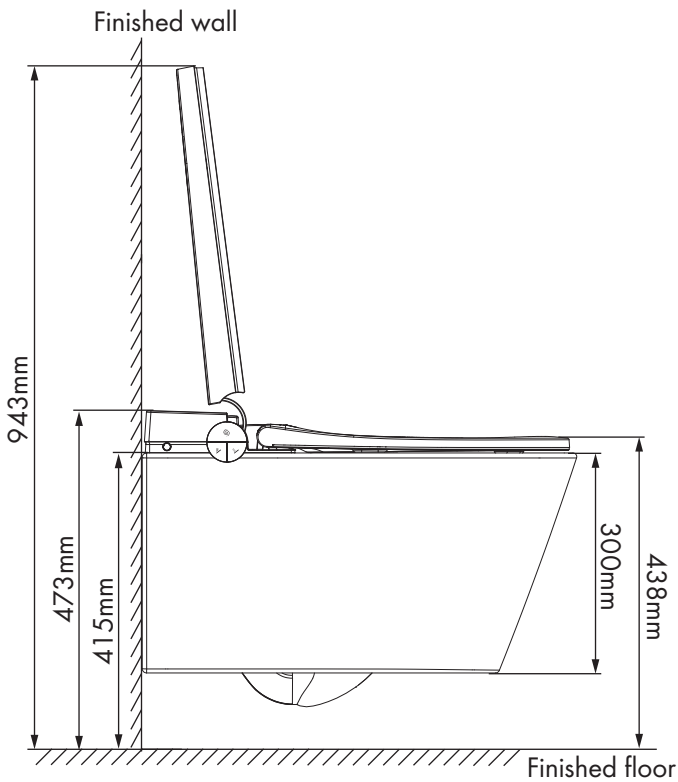


- Immediately unplug the power disconnect device at the user's building power supply end and close the water supply valve before installing, disassembling, repairing and maintaining this product.
- Do not use this product in an environment below 0 °C. If the room temperature is below 0 °C, the water in the water tank must be drained completely to prevent the water tank from freezing and cracking.
- If not used for a long time, the power supply must be cut off and the water in the toilet and tubing must be drained.
- In the event of being used by a person with physical, sensory, intellectual deficiencies or lack of experience and common knowledge (including children), this product needs to be used under the regular supervision of a person. Patients with heart diseases should use this product with caution.
- Do not allow children to play with this product.
- Please provide heating measures to increase the temperature of the washroom in order to prevent frost damages.
- Before use, please drain water and clean the inlet pipe to avoid blockage.

Dimensions



Top view



Notes: 1. The sketch provided in the manual of this product is for reference only, and we reserve the right of modifying the form of this product.

2. If there is any change to the appearance of this product, the actual product shall prevail.

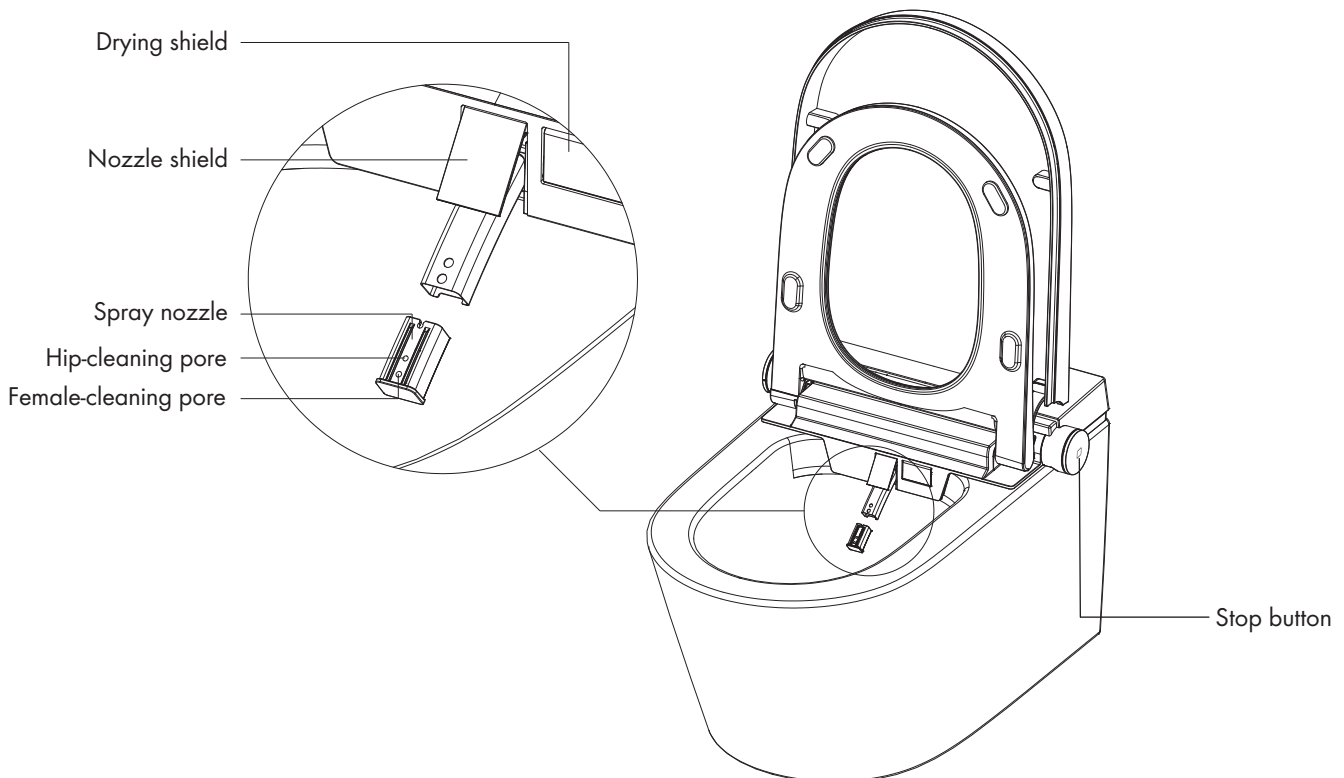
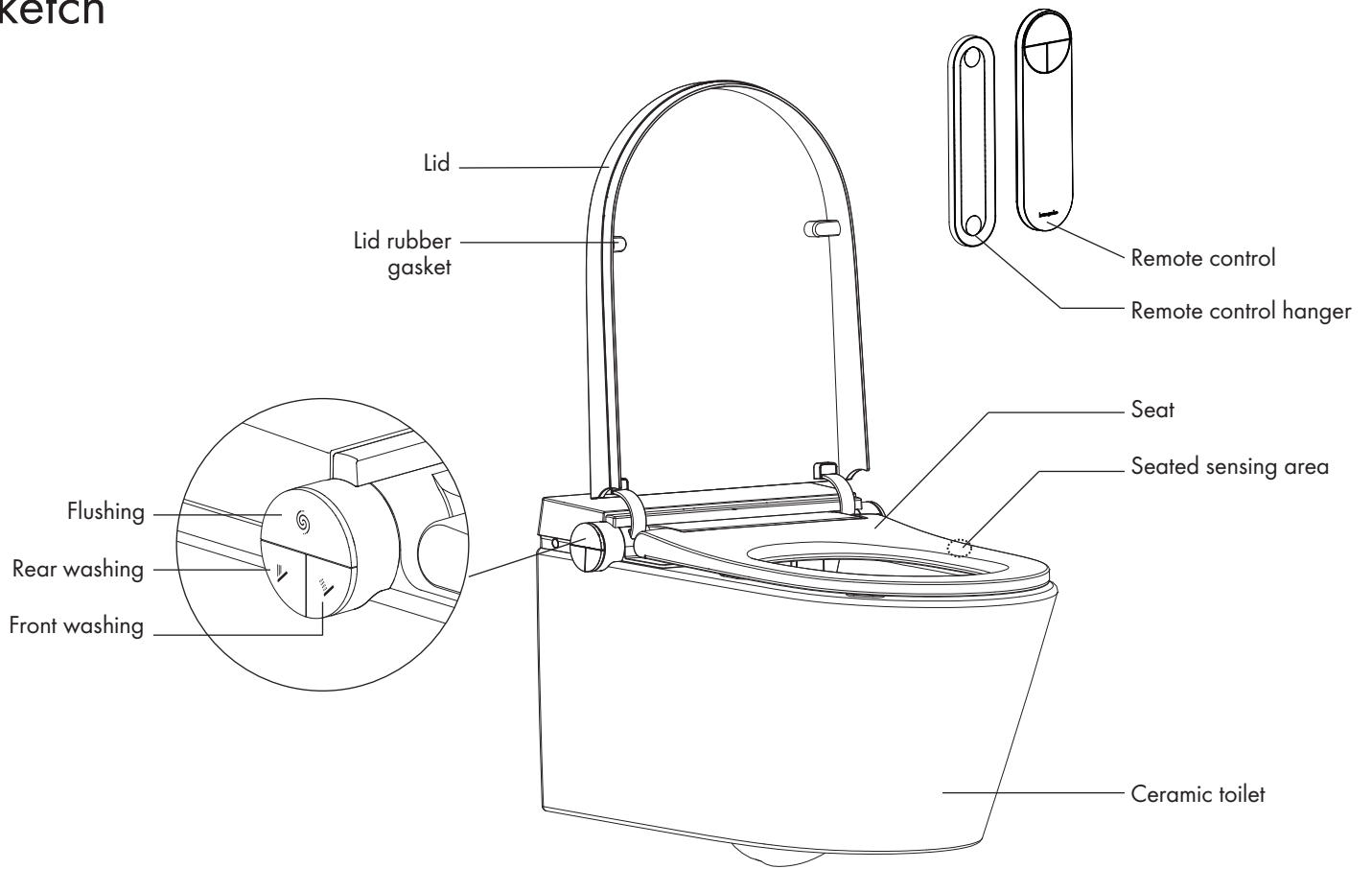
Technical Specifications

Article No.		22469008	
Rated power supply		AC 230V 50 Hz	
Rated power		1080W	
length of water inlet hose		appr. 380mm	
length of power cord		appr. 0.2m	
Overall unit waterproof		IPX4	
Ceramic toilet	Flush volume	4.8L (Full 6.0L/Half 4.2L)	
	Water inlet method	Direct to water supply	
	Flushing mode	Wash down type drainage	
	Exhaust height from ground	212mm	
	Outside diameter of drain outlet	102mm	
	Drainage method	Back drainage	
Functional section	Cleaning device	Heating method	Instant heat type
		Water temperature	Temperature adjusting range: OFF/appr. 32-39 °C
		Heating power	1500W
		Water volume	3-level adjustment
		Cleansing mode	Rear washing, front washing, mobile washing, massage washing
		Spray cleansing location	3-level adjustment
		Water pressure protection	Pressure stabilizing device, automatic pressure discharging device
		Anti-fouling device	Automatic spray washing device, anti-siphon device, anti-backflow device, filter device
		Safety device	Temperature fuse, water temperature sensor, grounding protection, temperature controller, overtemperature protection, leakage protection
	Warm wind device	Warm wind temperature	Temperature adjusting range: appr. 43-53 °C
		Warm wind speed	≥0.2m ³ /min
		Heating power	200W
		Safety device	Thermostat, thermal fuse, leakage protection
	Heated seat	Surface temperature	Temperature adjusting range: OFF/appr. 31-39 °C
		Heating power	50W
		Heated burning protection	After 10 minutes of use, the seat temperature automatically decreases to a low level slowly (about 31 °C)
		Safety device	Seating sensor, temperature sensor, thermal fuse, thermostat, leakage protection
	Lid opening /closing	Automatic lid opening/closing	●
		Open/Close by remote controller	●
	Caring device	Deodorization mode	Non-photocatalyst Deodorization
		Night light setting	Smart
		Automatic flushing	Automatic flushing
	Inlet water pressure		0.08MPa(hydrodynamic pressure) – 0.8MPa(hydrostatic pressure)
Inlet water temperature		3°C-35°C	
Ambient temperature		1°C-40°C	
Bacteriostatic site		Seat、Nozzle、Ceramic glaze	
UV lamp sterilization site		Spray nozzle	
Product Dimensions		595 mm (length) × 421 mm (width) × 404 mm (height)	
Product Weight		35kg	

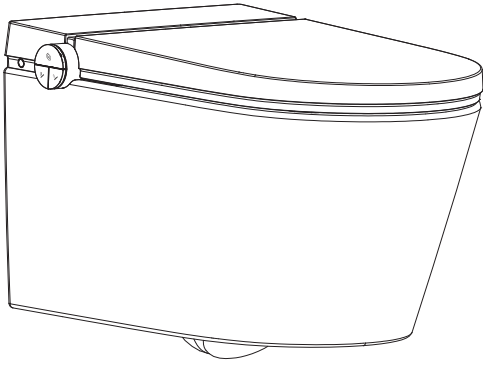
Description:

Rated power: It is the average power consumed when this product is energized and started initially, sets the water pressure, seat temperature and water temperature to the highest level in sequence, then immediately starts the rear washing and continues to work stably for one cleaning cycle, with the ambient temperature of 23°C, the hydrostatic pressure of 0.18MPa±0.02MPa and the inlet water temperature of 15°C, in accordance with the standard GB 4706.1-2005/GB 4706.53-2008. (In testing, Mobile wash and massage clean function must be turned on.)

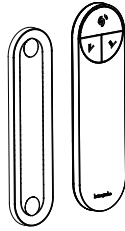
Sketch



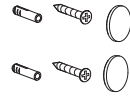
List of Materials



Main unit



Remote control and
Remote control hanger



Remote control hanger expansion
screw set with silicone



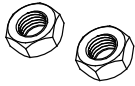
Button cell (model CR2450)



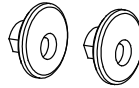
Rubber Washer



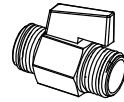
Decorative Cap



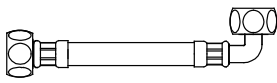
Locking Nut (M12)



Transition Piece



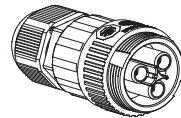
Ball Valve



Hose



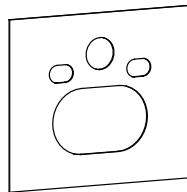
Velcro



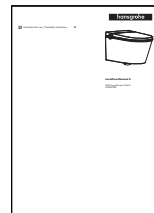
Connector



Restrictor
(Only used for high water tank*)



Pad

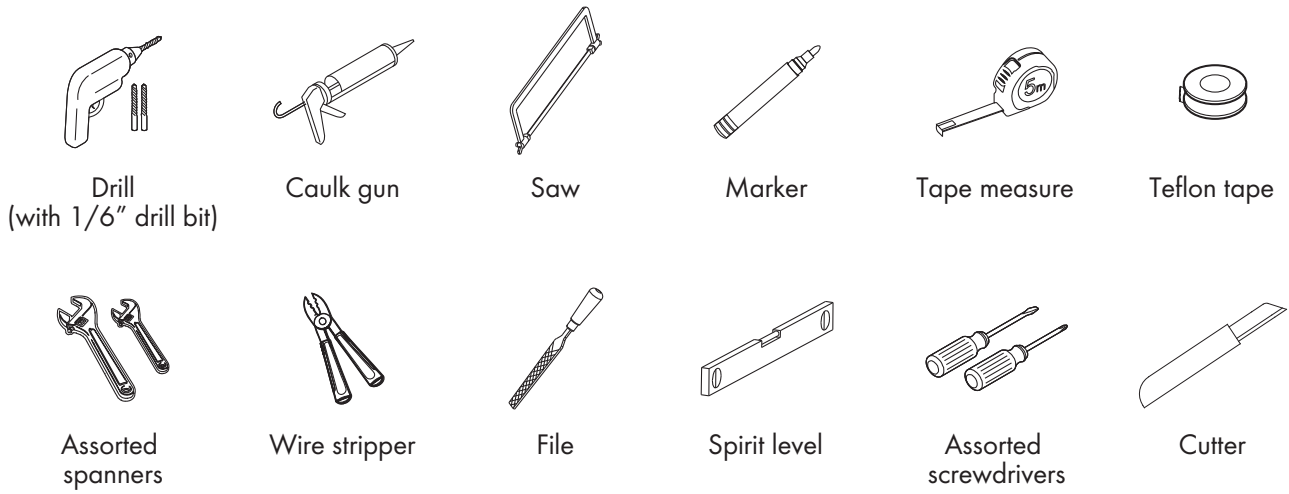


Manual

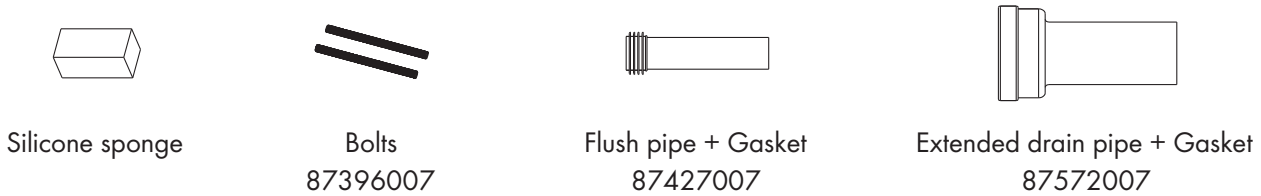
*High water tank SKU: 01014187、01016187、01018187、01020187
 Low water tank SKU: 01015187、01017187、01019187、01021187

Preparation before installation

Installation tools (Not Supplied with the Product)



Required accessories for in-wall carrier



Installation dimensions

Unit: mm

1. Circuit pre-installation: Install a fixed electrical supply circuit (Neutral wire, live wire and ground wire included.)

- Confirm the electrical connection location
- Reserve pipeline for electrical circuit

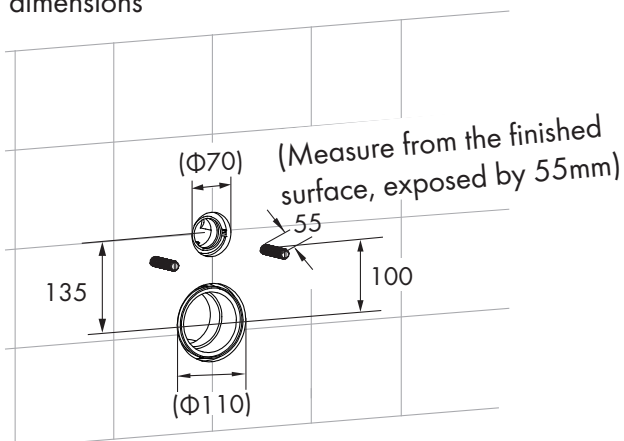
2. Circuit breaker pre-installation

- Connect a separate upstream circuit breaker.
- Pre-connect an earth leakage circuit breaker and grounding protector for other independent circuits.

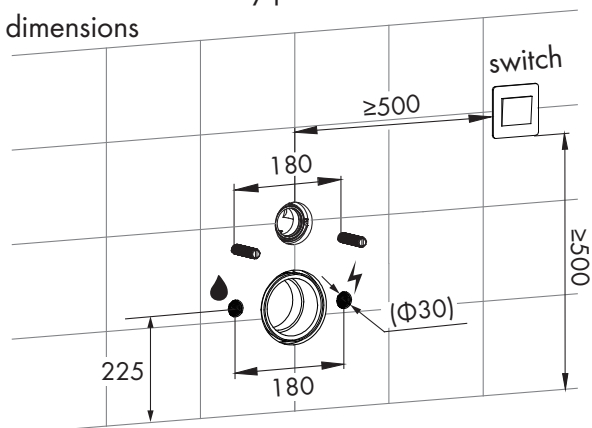
3. Waterway pre-installation

- Reserve pipeline for water supply hose.

4. Confirmation of toilet pre installation dimensions



5. Water & Electricity pre-installation dimensions



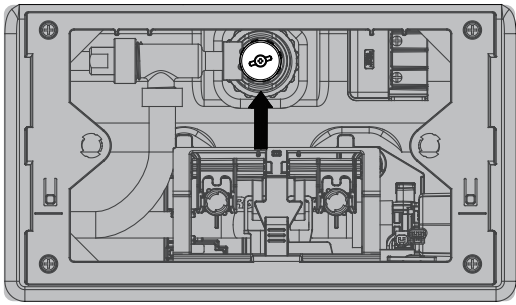
Pre-installation confirmation

1. Minimum dynamic operating water pressure:

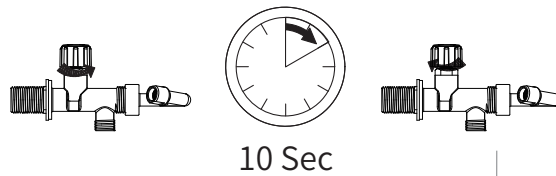
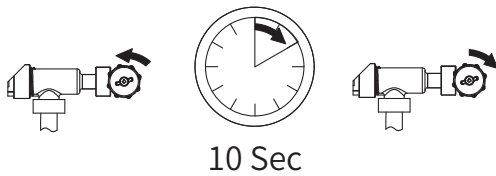
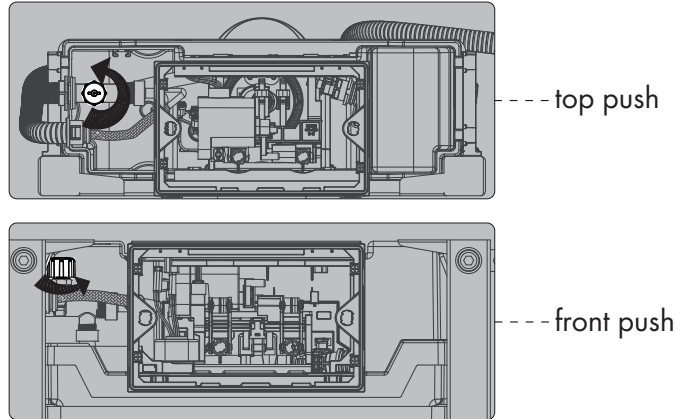
0.08+MPa (8.5L+L/min), failure to meet this pressure will not achieve the best flushing effect.

Note: Apply the methods below if you don't have water pressure testing device.

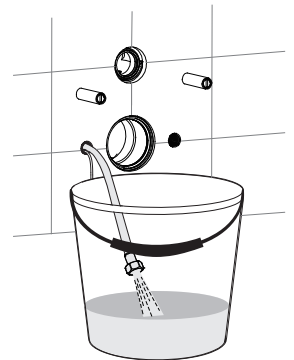
High water tank (01014187, 01016187, 01018187, 01020187) schematic diagram of angle valve opening:



Low water tank SKU (01015187, 01017187, 01019187, 01021187) schematic diagram of angle valve opening:



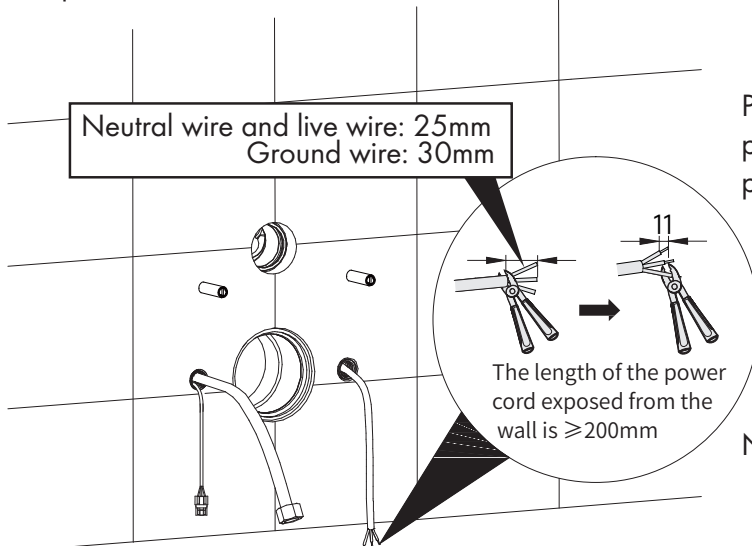
Open the angle valve to check the water volume. If the water volume after 10 seconds is greater than 1.42L, then it is OK to proceed installation.



2. Pre processing of power cord

The ground wire should be 5mm longer than neutral wire.

Note: If the customer uses three separate ground wires/live wires/neutral wires of the power cord, there is no need to refer to the 25/30mm data.



Please turn off the circuit breaker or the power switch, and make sure that the power is off before connecting the wires.

Note: blue: neutral wire
brown: live wire
yellow-green: ground wire. ⊕

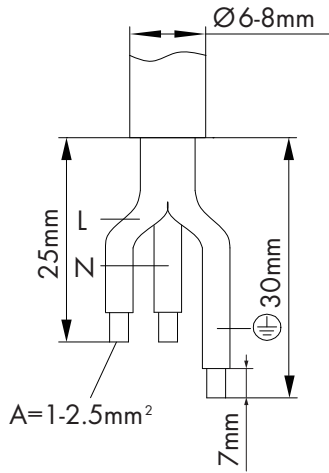
3. Connector installation



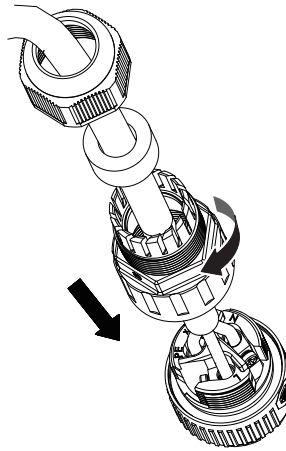
Risk of electric shock, please operate after cutting off the power.

This device can only be used with a properly fixed connection. Please turn off the circuit breaker or the power switch, and make sure that the power is off before connecting the coupler.

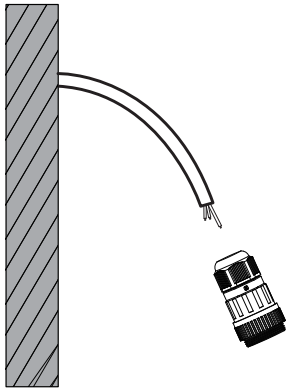
1



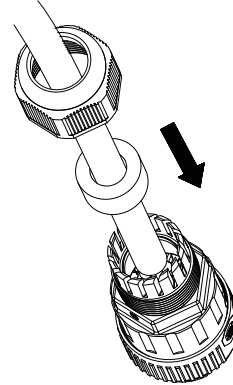
5



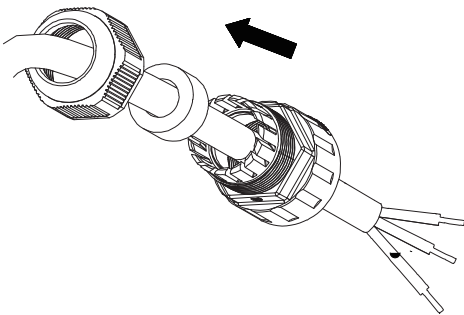
2



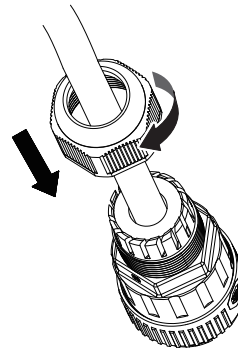
6



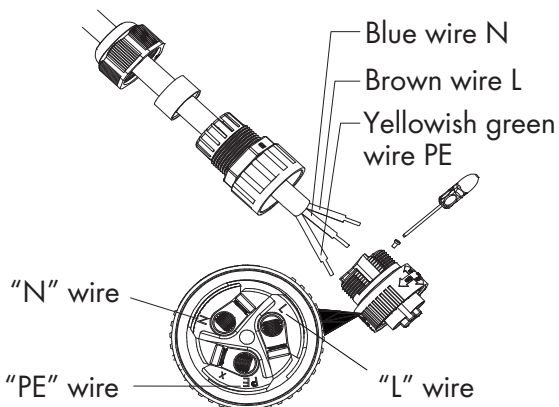
3



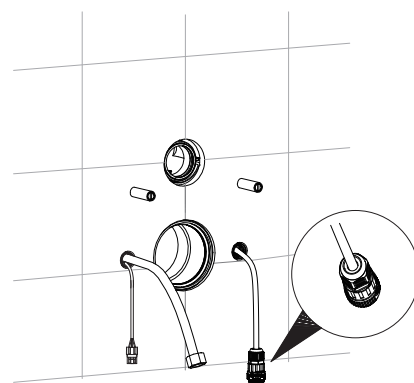
7



4



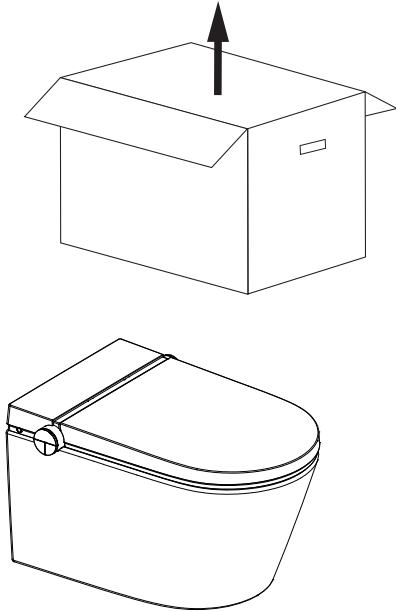
8



Installation of toilet

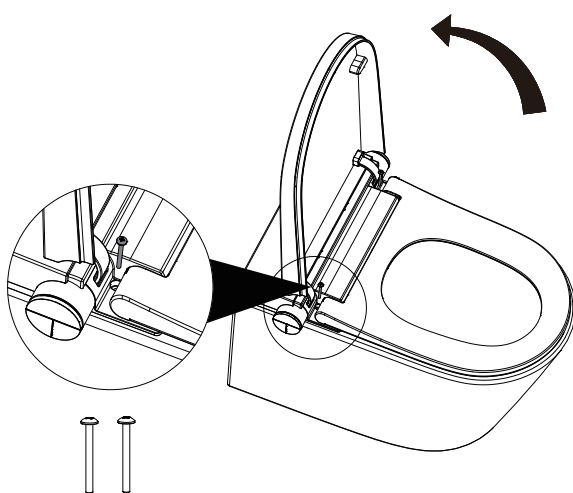
1. Remove packag

Lift the cardboard box up.

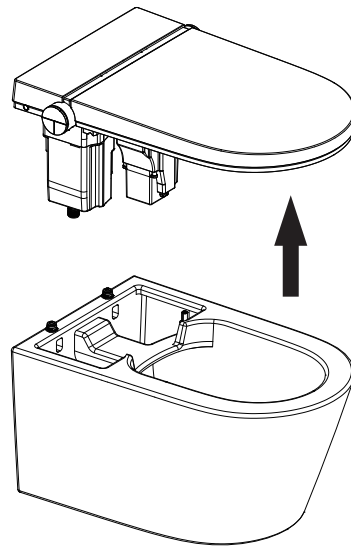


2. Remove the bidet

1. Open lid, then remove screws.

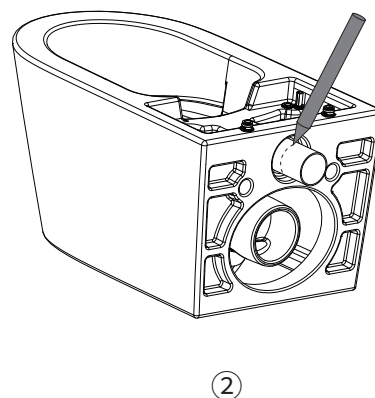
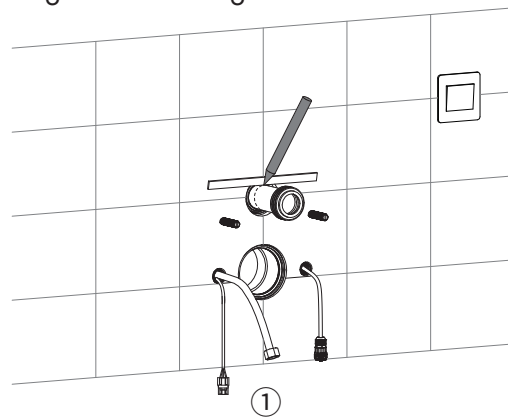


2. Close lid and seat, and then remove the bidet. Be careful not to damage the product.



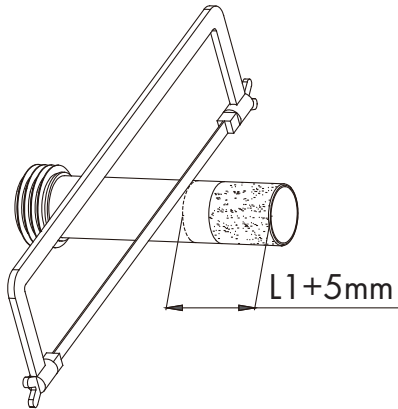
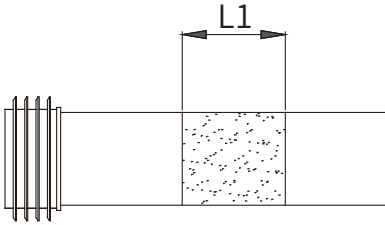
3. Measure the flush pipe

Apply silicone oil to the rubber pad of the straight pipe, insert it into the toilet and the water tank elbow (to be inserted in place), and mark it according to the drawing line.



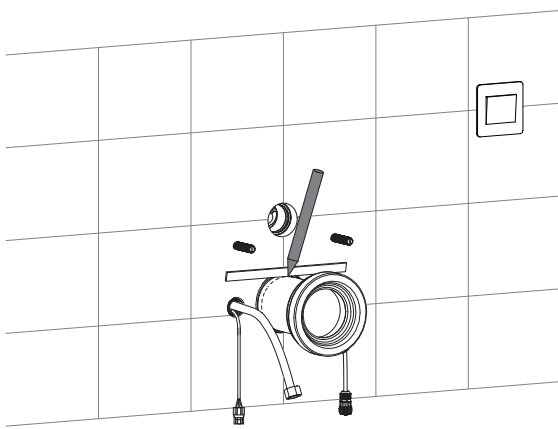
4. Cut off the excess pipe

Mark the distance L1 between the lines and cut at the size position as shown in the figure.

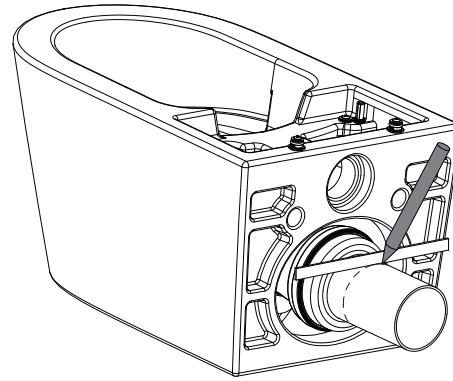


5. Measure the drain pipe

Apply silicone oil to the rubber pad of the sewage pipe, insert the toilet and drainage elbow separately (they need to be inserted in place), and mark them with lines according to the diagram.



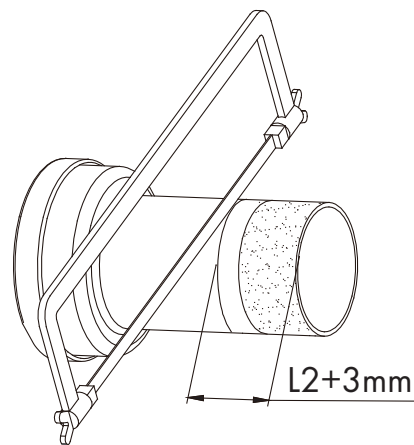
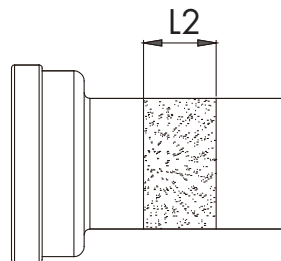
①



②

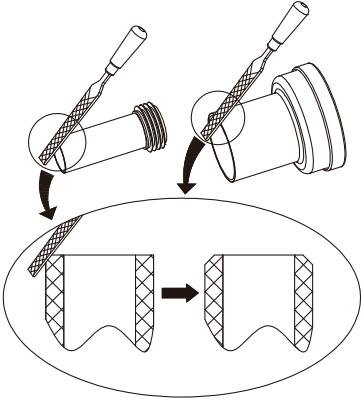
6. Cut off the excess pipe

Draw the distance L2 between the line markings and cut at the size position as shown in the figure.



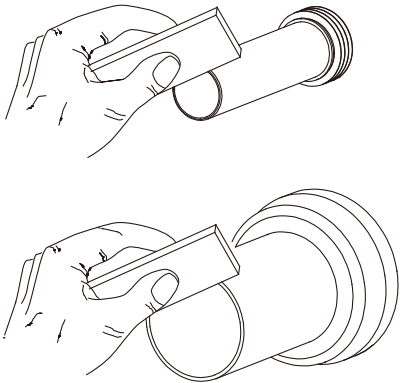
7. Grinding the pipe orifice.

Grind and chamfer the end faces of the sawn short two pipe mouths and remove any burrs.

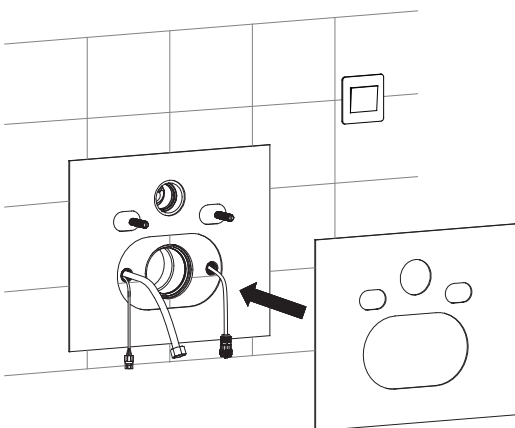


8. Apply silicone oil

Apply silicone oil to the pipe mouth after polishing.

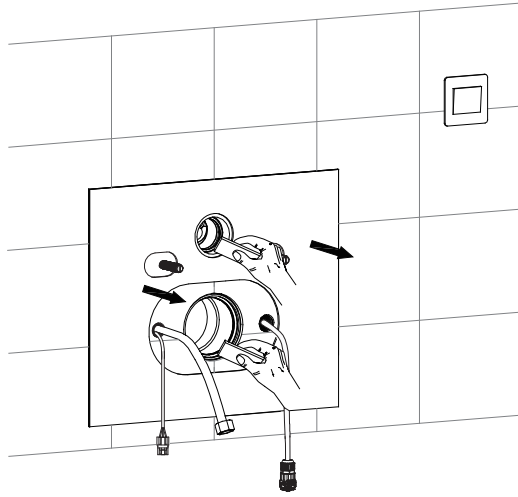


9. Install the pad



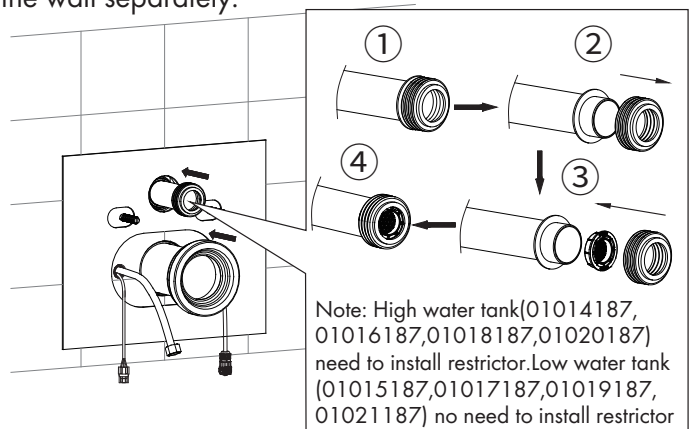
10. Apply silicone oil.

Apply silicone oil to the straight pipes and sewage pipes in the wall.



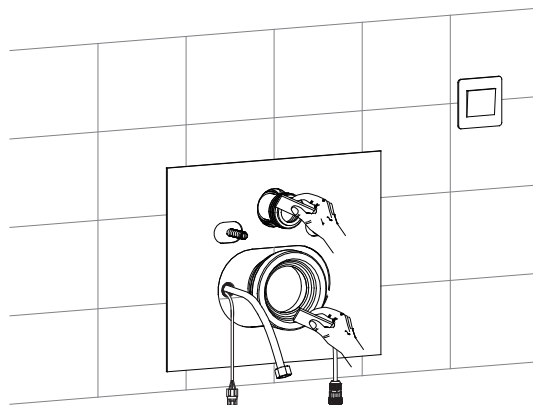
11. Insert the pipe into the wall

Insert straight pipes and sewage connecting pipes into the wall separately.



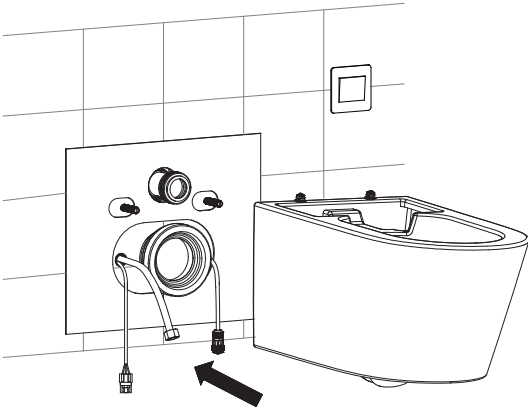
12. Apply silicone oil

Apply silicone oil on the flush pipe and drain pipe.



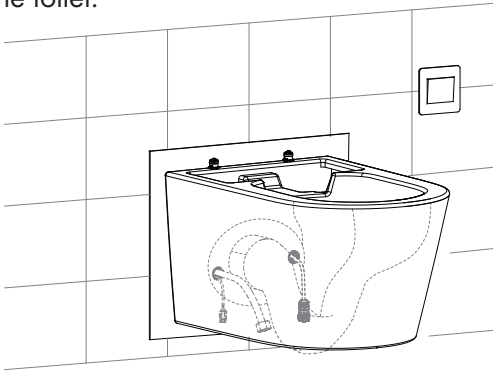
13. Install the toilet

1. Align the toilet with the bolt hole and lean it against the wall.

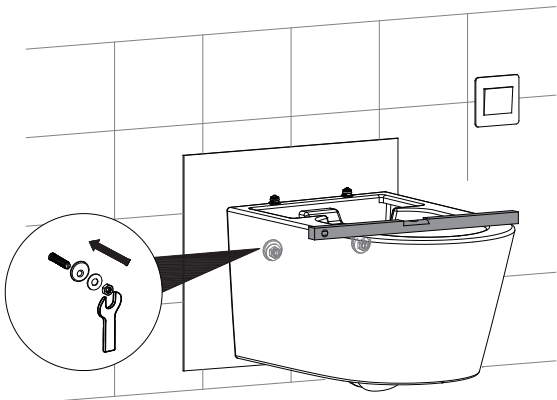


※ Due to the heavy weight of the toilet, it is recommended that two people work together to lift and place it

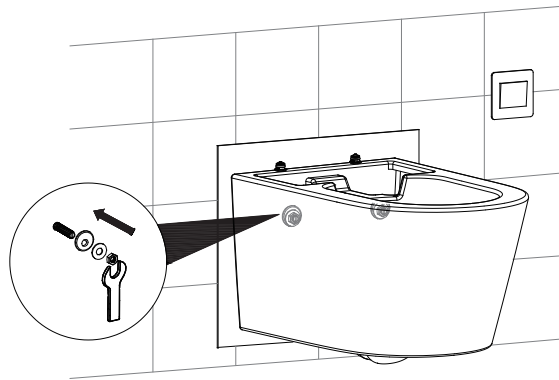
2. Pass the water supply hose, off-seat auto flushing cable and power cord through the toilet.



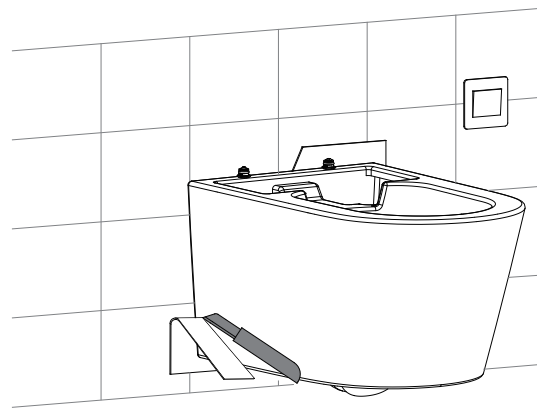
14. Install the plastic washer and nut, then pretighten the ceramic, and finally level the toilet.



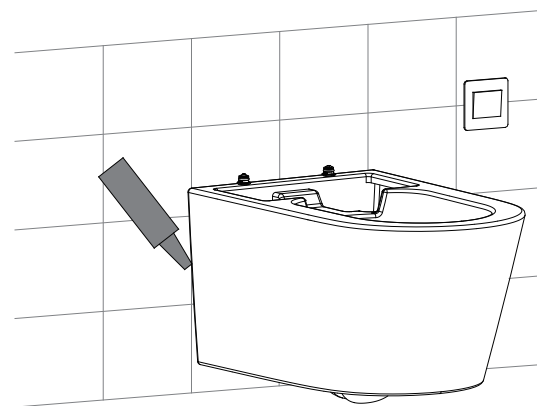
15. Lock nuts



16. Cut off the excess pad

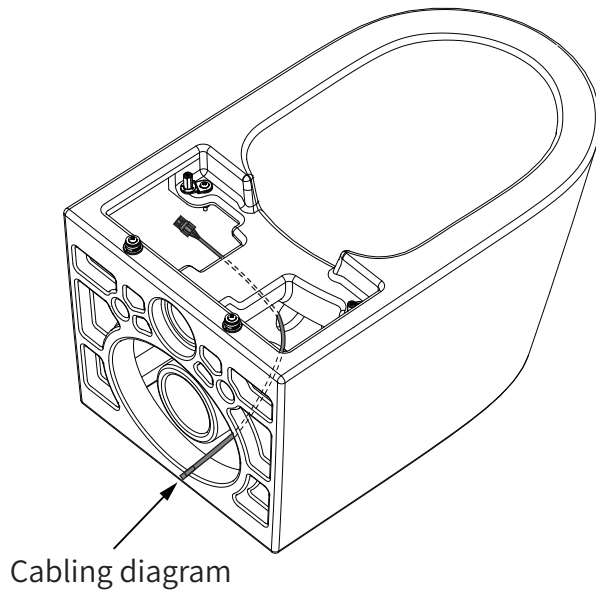


17. Seal gap around toilet with sealant



18. Connect the power cable and water inlet hose

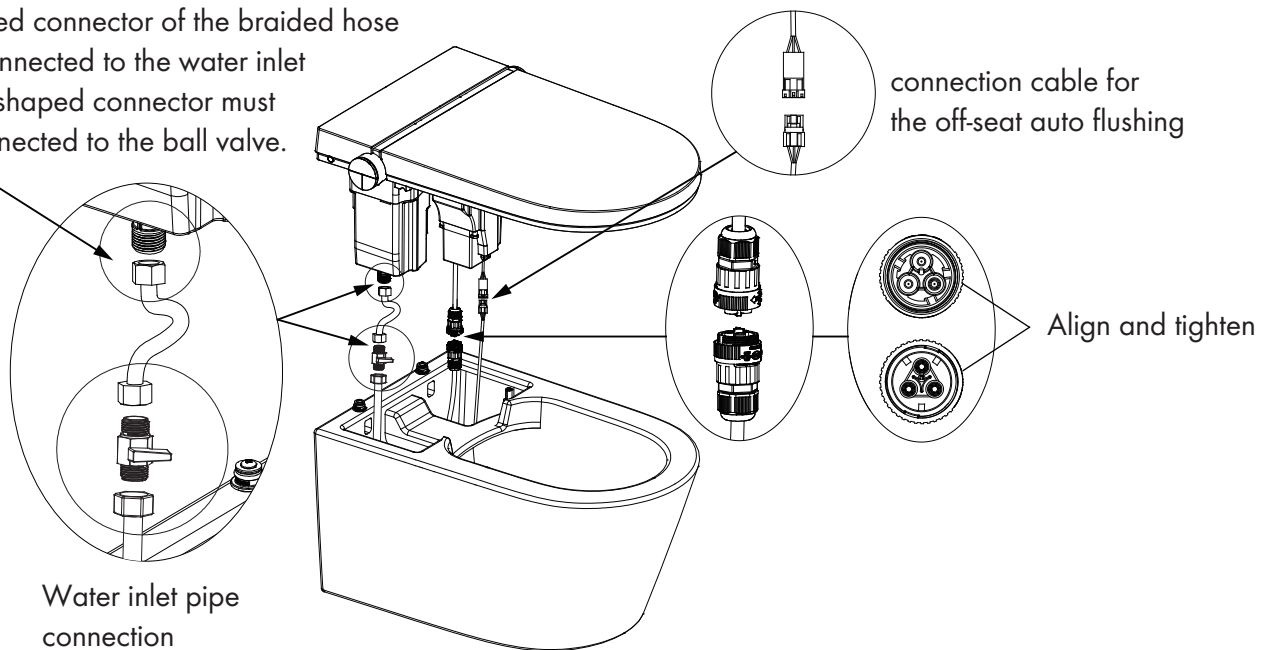
1. Connect the power cable and water inlet hose
2. The connection cable for the off-seat auto flushing is routed from the concealed cistern, through the hole above the toilet's waste pipe, as shown in the position below.



3. The connection cable for the off-seat auto flushing should connect firmly to the corresponding connectors of the electronic cover panel, with no loose fittings.

Caution! The power cord cannot cross or overlap with other connection lines!

The L-shaped connector of the braided hose must be connected to the water inlet joint; the L-shaped connector must not be connected to the ball valve.

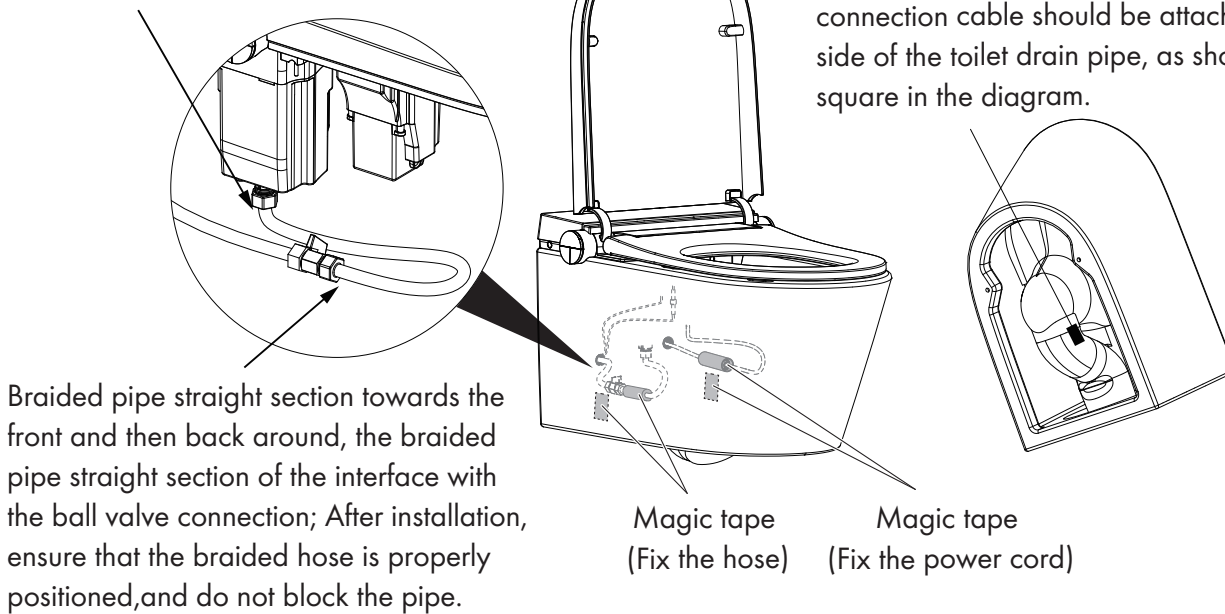


19. Fix the power cord and water inlet hose

Position the bidet and check the alignment. Fix the power cord, the off-seat auto flushing cable, and inlet valve hose. Wrap the excess length of the power cord, water inlet hose, and the off-seat auto flushing cable with double-sided self-adhesive magic tape and attach them to the indicated position below.

The L-shaped section of the braided hose should connect to the water inlet joint of the bidet seat, and the hose is routed toward the seat.

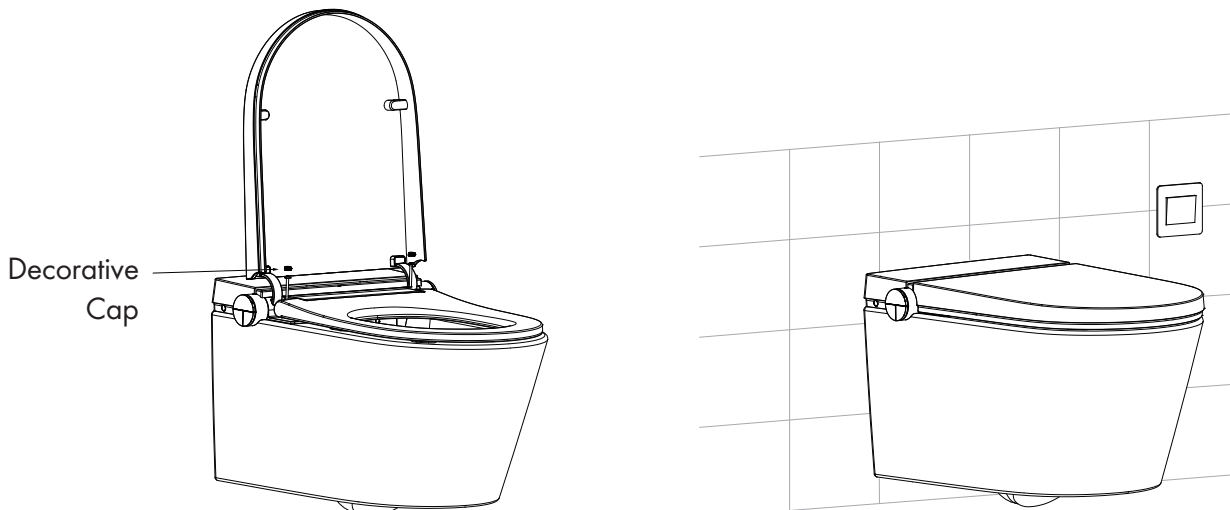
Note: The excess length of off-seat auto flushing connection cable should be attached to the right side of the toilet drain pipe, as shown in the black square in the diagram.



Braided pipe straight section towards the front and then back around, the braided pipe straight section of the interface with the ball valve connection; After installation, ensure that the braided hose is properly positioned, and do not block the pipe.

20. Installation is complete

Open the cover, install screws and decorative caps and then lock tight. Close cover and seat. Finish installation.

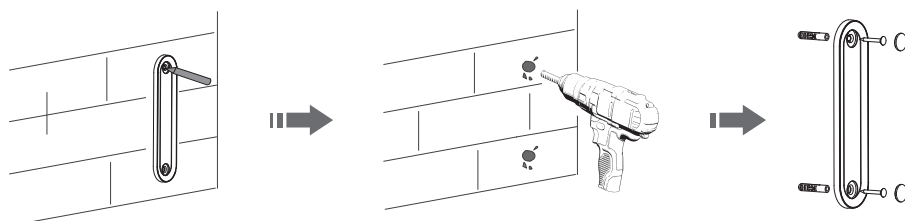


Installation of the remote control

Do not install and use this product in a damp environment. Do not place it in a place where it is likely to be damped with water.

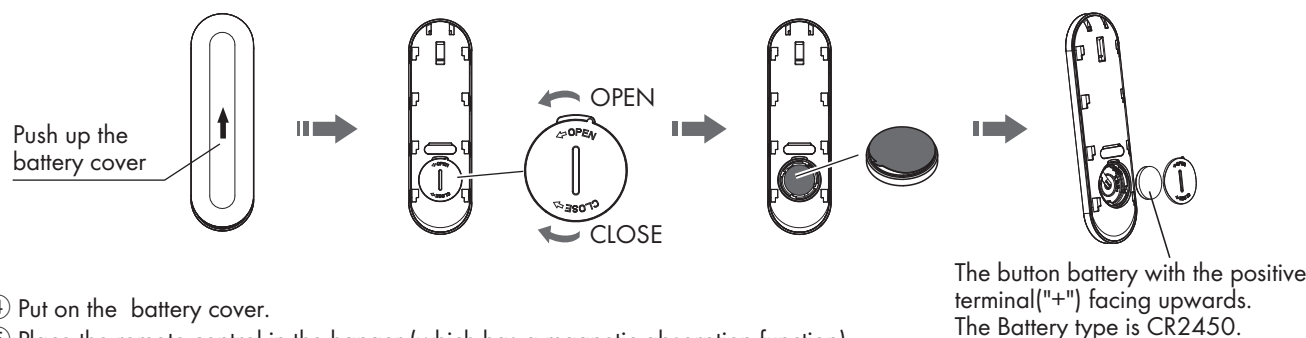
1. Installation of remote control hanger

- ① Press the remote control hanger upright against the pre-installation area on the wall, and mark the positions of the two mounting holes on the wall with the marking pen.
- ② Drill holes at the positions marked on the wall with a $\phi 6$ mm drill bit, at a depth of 35 mm.
(When determining the installation position, you need to mark sure that a person can easily reach the remote control by hand when sitting on the seat)
- ③ Insert the expansion tubes into the holes in the wall; press the hanger against the wall, with the holes on the hanger aligned with the expansion tubes; insert the screws and tighten them; and then cover them with the silicone pads.

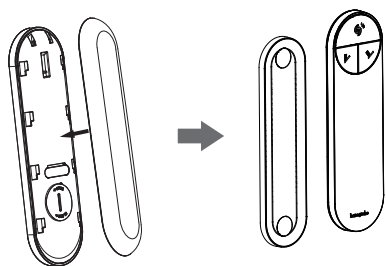


2. Battery installation

- ① Push up the battery cover, open the battery cover.
- ② Unscrew the battery sealing cover counterclockwise, take out the battery out from remote controller firstly then peel off the film at the backside of battery afterwards.
- ③ Put the battery with the positive terminal ("+",) facing upwards into the remote control, and then screw the battery sealing cover clockwise.




- ④ Put on the battery cover.
- ⑤ Place the remote control in the hanger (which has a magnetic absorption function).

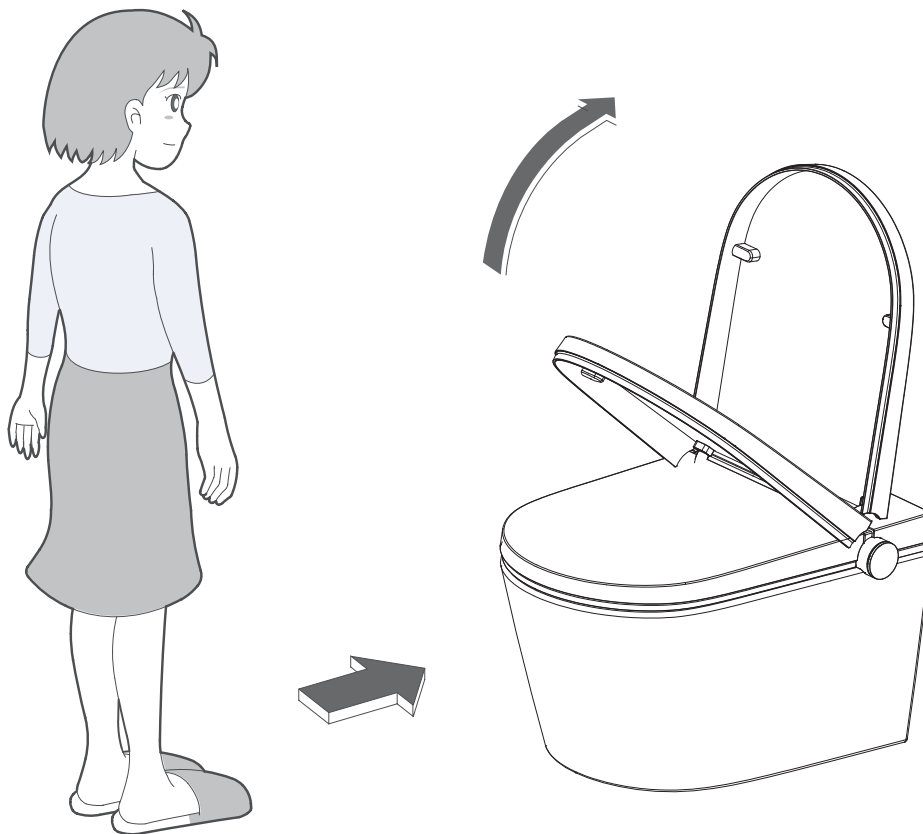


⚠ Precautions for Battery Use

- ① Please use the specified battery type, do not change the battery type at will, otherwise it will lead to product damage, serious can lead to overheating, burning and other safety hazards.
- ② Please recognize the positive and negative pole markings when installing to prevent short circuit and misconnection of positive and negative poles.
- ③ Keep the button battery properly to prevent infants and children from swallowing it.
- ④ Waste button batteries should be disposed of in accordance with national environmental protection laws, do not throw them away.
- ⑤ According to the family of 4 (male:2, female:2), frequency of use: defecating 1 time/day per person, urinating 4 times/day per person. The service life of the button battery is about 6 months. When the battery status indicator of the remote control flashes red, it indicates that the battery is low, please replace the battery in time. Batteries are consumables and are not covered under warranty.

Automatic lid opening/closing function

If you are purchasing an electronic toilet with automatic lid opening/closing function, it has the feature of automatically opening/closing the lid. (The auto open&close function of lid is set to OFF by default. For the first use, you need to long press the remote control "  " button for more than 3 seconds to open the function. For details, see page 21.)



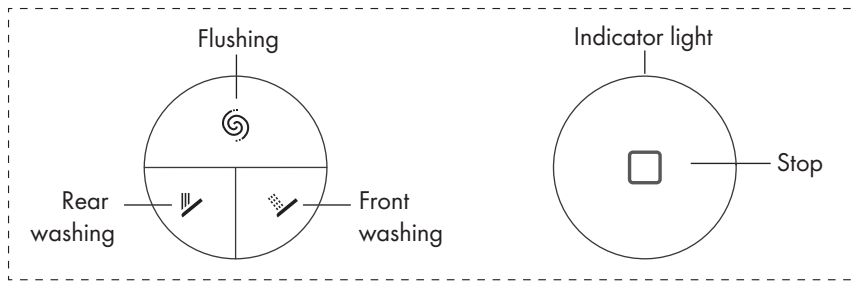
1. When a user gets close to the toilet

When a human body gets close to the toilet, the main unit detects the action of the human body, and opens the lid automatically

2. When using the toilet

The lid will be closed automatically within about 90s after the human body leaves the toilet.

Functional Buttons of Main Unit



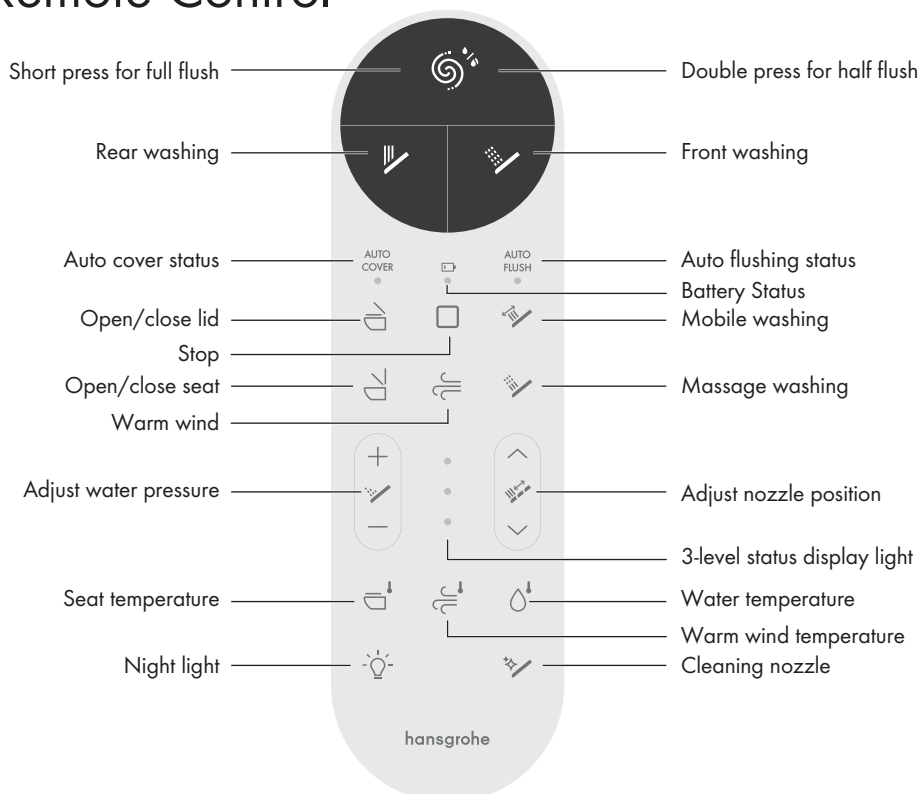
Operation instructions of buttons:

1. When sitting on the seat, short press the "Rear/Front washing" button to activate the Rear/Front washing function, short press the "Stop" button to shut down the function.
2. When leaving the seat, short press the "Rear/Front washing" button to execute the manual cleaning nozzle function, and short press the "Stop" button to shut down the function.
3. When short press the "Flushing" button on the main unit to turn on the flush function.
4. Press and hold the "Rear washing" button and the "Front washing" button simultaneously for more than 3s to turn ON/OFF the automatic power save function. With the automatic power save function activated, the seat heating function will be deactivated when more than 48 hours passes after leaving the seat, and will return to the last level used when sitting on the seat.
5. When leaving the seat, press and hold the "stop" button to enter the standby mode, the white light on the toilet will enter the slow breathing state.
6. In standby mode, press and hold the "Stop" button to exit the standby mode, the white light on the unit is always on.
7. In normal operation mode, when opening the rear wash, front wash, warm wind, cleaning nozzle and other functions, the white light on the toilet is in a breathing state. When the function of UV lamp sterilization is turned on, the blue light on the toilet is in a breathing state.
8. Short press the "stop" button, will stop the rear wash, front wash, warm wind, and cleaning nozzle.

Instructions of Indicator light:




1. Normal startup state, with white indicator light and normal brightness constantly on; When touching the remote control button, white indicator light flashing prompt.
2. when opening the rear wash, front wash, warm wind and other functions, the indicator light is white and normal brightness, gradually turning on and off, indicating a breathing state.
3. In standby mode, the white brightness of the indicator light decreases, gradually turns on and off, and the breathing state is slow.
4. When the UV lamp sterilization is turned on, the indicator light is blue with normal brightness, gradually turning on and gradually extinguishing the respiratory state.

Usage of Remote Control






Flushing



1. Short press "  " button, the toilet starts full flushing.
2. Double press "  " button, the toilet starts half flushing.
3. Long press "  " button, the automatic flushing indicator light will flash. Press and hold for more than 3 seconds to set the automatic flushing function on or off; when the automatic flushing function is turned on, the automatic flushing status indicator lights up, and no operation indicator goes off within 5 seconds. When the auto flush function is turned on, toilet will automatically flush after detecting user leaving the seat. When the auto flush function is turned on, toilet will automatically flush after detecting user leaving the seat.




Rear washing



In the state of seat, short press the "  " button to open the rear washing function, the spray bar extends and sprays water to clean the buttocks. During the cleaning process, press the "  " button again short or short press the "  " button to stop the rear wash function immediately.


Front washing



In the state of seat, short press the "  " button to open the front washing function, the spray bar extends and sprays water to cleaning. In the process of cleaning, short press "  " button again or short press "  " button can immediately stop the front washing function.

Mobile washing



In the "rear wash" or "front wash", short press the "  " button to open the mobile washing function, the nozzle moves back and forth to expand the washing range.




Massage washing



In the "rear wash" or "front wash", short press "  " button to open the massage washing function.


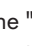
Warm wind



In the state of the seat, short press the "  " button, the warm wind function starts, start the wind. Short press the "  " button again or short press "  " button can immediately stop warm wind.

Open/close lid



- ① Short press "  " button, open or close the lid.
- ② Long press the "  " button, the automatic lid indicator light will flash. Press and hold for more than 3 seconds to set the automatic lid opening and closing function on or off; When the automatic lid opening and closing function is enabled, the automatic lid indicator light will turn on, and if there is no operation within 5 seconds, the indicator light will turn off. (The function is disabled by default and needs to be activated for the first use.)

Open/close seat



Short press "  " button, open or close the seat.

Adjust water pressure



Press " + " or " - " button when it is under rear washing or front washing, the indicator light will be on and showing water pressure level, the water pressure can be adjusted by 3 levels. The indicator light display corresponds to the gear as follows:



Adjust nozzle position



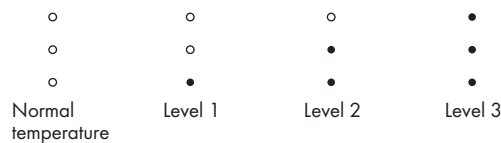
Press " ^ " or " v " button when it is under function of rear washing or front washing, the indicator light will be on showing current nozzle position, adjust nozzle position by 3 levels. The indicator light display corresponds to the gear as follows:



Water temperature adjustment



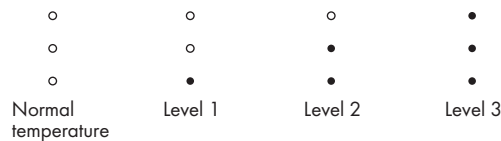
Short press the " ♪ " button when it is under function of rear washing or front washing to adjust the water temperature. The indicator will show the water temperature level if it's on. When the indicator is off, the water level is 0(normal temperature). Short press this button to adjust water temperature level from 0 to 3 in cycle. The indicator light display corresponds to the gear as follows:



Warm wind temperature adjustment



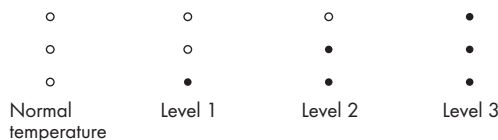
In the process of drying, press the " ♪ " button to adjust the air temperature, and the indicator light will light up to display the wind temperature range. When the indicator light is not on, it is 0 grade (normal temperature range), and the range adjustment mode is 0-5 grade in turn. The indicator light display corresponds to the gear as follows:



Seat temperature adjustment





Short press the " ♪ " button to adjust the seat temperature. The indicator will show the seat temperature level if it's on. When the indicator is off, the seat level is 0. Short press this button to adjust seat temperature level from 0 to 5 in cycle. The indicator light display corresponds to the gear as follows:





Night light



Short press "  " button to enter into intelligent mode (Night light will be ON or OFF by detecting the lightness of surroundings), the buzzer beeps once;
Short press the "  " button again to turn off the intelligent night light, the buzzer beeped three times.

Cleaning nozzle




Without seated, short press the "  " button, the spray bar extends, open the manual cleaning nozzle, 10 minutes later or short press the "  " button spray bar automatically retracted.
※ In the seated cleaning state, the operation is invalid.

Battery status




If the battery status indicator flashes red, it indicates that the battery power is low, please replace the remote control battery in time. (Please see page 45 for details on how to operate)

Auto deodorization

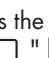

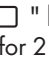
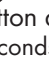
Long press "  " button about 3 seconds to turn on/off auto deodorization function. While the auto deodorization function is on, when it's detected that the user is seated, it'll start deodorizing and stops when user leaves.

Sensing distance adjustment

Press and hold the "  " button first, then press the water pressure " + " or " - " button, adjust the sensing distance to increase or decrease as needed.

Remote control code pairing

In the power-on state:

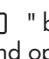

- ① Press and hold the "  " button first, then press the "  " button, the indicator flashes.
- ② Within 10 seconds, press and hold the "  " button again, then press the "  " button.
- ③ The indicator light stops flashing and stays on for 2 seconds, the code pairing is successful.

If the remote control does not respond when you use it for the first time, or when you replace it with a new one, you need to re-pair the code to use it normally.

If the code matching fails, please follow the above steps to re-pair the code.

(Remote control code verification must be conducted within 30 seconds after the host is powered on and self tested.)

open lid function initialization

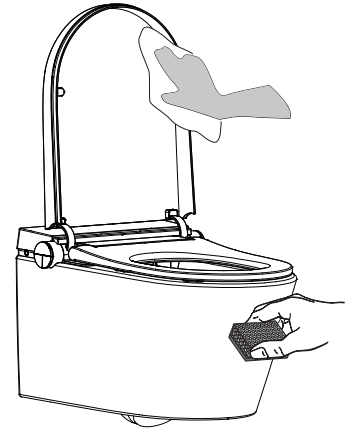
Within 10 minutes after powering on, press and hold the "  " button, then press the "  " button for about 3 seconds to enter the open lid initialization command operation.

Tips:

1. Only when the user is seated and the buzzer beeps can the functions of front/rear washing and drying be activated.
 2. Please sit backward on the seat for correct washing position and to avoid splashing.
 3. The nozzle will continue to spray for 1-2 seconds after user stands up during washing, so please press "Stop" button before standing up.
 4. The buzzer will "beep" once when the user presses one button indicating that the main unit receives the signal and conduct the operation accordingly. If the buzzer "beeps" twice, it indicates invalid operation.
-

Maintenance and Care of Main Unit

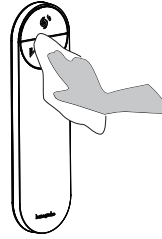
1. Cut off the power: For maintenance of the main unit, please first disconnect the power supply disconnecting device at the user's building.
2. Wipe with a soft rag: Please wipe the dirty area with a wrung-out soft rag.
3. Safety self-inspection: Please reconnect the power after wiping.



Maintenance and Care of Remote Control

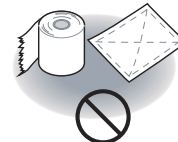
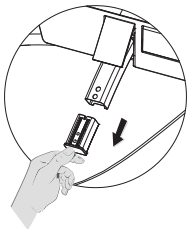
Please wipe the dirty area with a wrung-out soft rag.

- ⊘ Do not to rinse this product directly with water or detergent.



Maintenance and Care of Spray Nozzle

1. Stretch the nozzle: Where there is no human body on the seat, short press "Cleaning nozzle" button of the remote control to activate the manual nozzle washing function. The nozzle will stretch out automatically.
2. Wipe the nozzle: After the nozzle stretches out automatically, the nozzle can be disassembled to clean. wipe it with a soft rag or a soft brush (neutral cleaner). Do not pull out or push in the spray wand to avoid damaging the wand or motor.
3. Retract the nozzle: 10 minutes later or short press the "Stop" button spray bar automatically retracted.



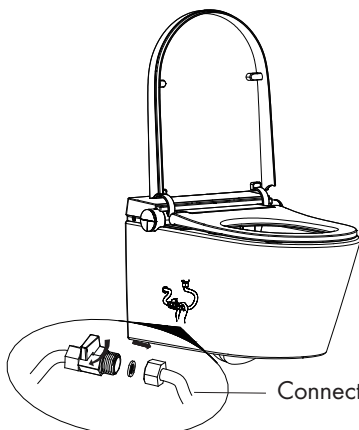
It is recommended to use a neutral detergent with a pH value of 5-7 and avoid detergents containing chlorine or acidic ingredients.

Filter cleaning

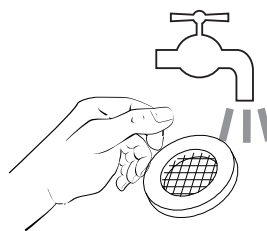
Time for maintenance: It is recommended that you clean the filter once in 4-6 months.
(The specific cleaning cycle depends on the water quality)

1. Close ball valve and unscrew intake hose. Remove filter.

2. Wash the filter with clean water.




Connect the electronic cover end



3. Install the filter screen back, install the water inlet hose back into the ball valve and open the ball valve.

Fault Analysis and Solution

Problem	Cause	Solution
No flushing	The water inlet hose buckles to cause blockage	Solve the buckling
	Pass-through Ball Valve Closed	Open Straight Ball Valve
	Water supply is cut off	Wait for water supply restoration
Poor flushing	The water inlet hose buckles to cause partial blockage	Solve the buckling
	Pass-through Ball Valve not fully open	Open straight ball valve completely
	Filter blockage	Replace the filter
Low water temperature	The water temperature is set at the normal temperature level	Reset the water temperature
Low seat temperature	The seat temperature is set at the normal temperature level	Reset the seat temperature
	In standby or power save mode	Switch to the function mode and use it after 3 minutes
Low wind temperature	The wind temperature is set at the normal temperature level	Reset the wind temperature
No wind out	In standby mode	Switch to the function mode to use the warm wind function
The spray wand cannot retract	Power off	Push back the spray wand lightly and wait for the power
	Get stuck by impurities	Clear away the impurities, or gently push the spray rod back
The spray wand cannot stretch out	Power off	Wait for power restoration
	Not sitting in the sensing area	Sit right in the sensing area
The remote control is failed	Reverse the polarity of battery	Reinstall the battery with correct polarity setting
	Remote control battery low	Replace with a new battery
The deodorization does not function normally	The user doesn't reach the sensing area in the seat	Adjust to reach the sensing area in the seat
	Deodorization function keeps working after the user leaves	After the user leaves the seat, the deodorization function will continue working for a while to make sure to eliminate the odor completely, which is normal
 Caution	If the fault still exists after taking the measures above, you should cut off the power, and contact the service provider to ask a professional to repair it.	
	If the power leakage protection switch often trips, this product is indicated to undergo electric leakage. Please cut off the power, and contact the service provider to ask a professional to repair it.	

Warranty Policy – Hansgrohe India

I. General Provisions

Hansgrohe India offers this Manufacturer's Warranty to customers of Hansgrohe products. It is applicable notwithstanding any imperative liability provisions of the applicable law.

A "customer" in the sense of this Manufacturer's Warranty is any person who is the first owner/user of the Hansgrohe's product for a consideration which has been paid and which it/he/she did not purchase the product with the intention of resale or for any commercial purpose. The warranty is confined to customers who are the first to buy the product from Hansgrohe India, a dealer or any other natural or legal person who sells or installs the product within the limits of its/his/ her business activity or independent occupation. By purchasing this product, customer agrees to Hansgrohe India's warranty on the product.

The foregoing warranty constitutes Hansgrohe India's sole warranty and no other warranty, express or implied, including warranties of fitness for a particular purpose and warranties of merchantability is given to the customer and there are no warranties which extend to use of the Hansgrohe's products for the purposes beyond description. Hansgrohe India neither assumes nor makes nor authorizes any person to make representation that the product is of any particular quality or standard or is suitable for any particular purpose, otherwise as stated.

This warranty is only effective if proof of purchase (original sales receipt) is provided with all warranty claims or requests. Further, in order to claim warranty, limited warranty certificate, duly filled, stamped and signed by the authorised dealer or authorised channel sales partners must be submitted along with product on which warranty claim is made to attending authorized service personnel. This original certificate must be preserved by the customer and produced whenever required.

II. Scope of warranty

Valid for Hansgrohe's products purchased by customers on or after 01 /01/2010 (purchase receipt / Invoice):

Hansgrohe India assures customers that its products are free from material, manufacturing and design faults. The latest science and technology at the time of manufacture is decisive in this regard. For claiming warranty, the defect giving rise to the damage must already have been present in the product at that time.

Depending upon the product category and residential/ non residential /commercial settings/projects, this Warranty shall be valid for all eligible Hansgrohe products for a period of five (5) years or three (3) years or two (2) years, as applicable, from the purchase date by the primary customer as provided in the Warranty Chart provided at the end of this Policy. In the event of repair/replacement of any part/s of the unit of the product, this warranty will thereafter, continue and remain in force only for unexpired period of warranty. Moreover, the time taken for repair/replacement of the product in transit, whether under the warranty or otherwise, shall not be excluded from the warranty period. The warranty period shall not be extended due to the provision of services within the scope of this Warranty, especially not in the event of servicing or replacement or product is not installed or not used from date of purchase of product. In such cases, the Warranty period shall also not start anew.

Hansgrohe India shall make its best endeavor to provide onsite warranty services but due to unavoidable/ in exceptional circumstances the product may be required for offsite inspection at Hansgrohe India's service center/service center of Hansgrohe India's authorized service associate.

Hansgrohe India operates business through their authorized channel sales partners. Customers are strongly suggested to purchase Hansgrohe product through the authorized channel sales partner. Hansgrohe India is not bound to support under warranty for any product purchased through unauthorized seller / supplier / re-seller.

Hansgrohe India's service working hours are Monday to Saturday from 9:30 Hrs. to 18:00 Hrs, except all public & National holidays or force majeure conditions. Any service specifically requested after service working hours will be on chargeable basis subject to being agreed & approved by Hansgrohe India. Hansgrohe India reserves right of denial of such request on its sole discretion.

III. Notification of Defects under warranty

The customer can claim the rights under this Warranty by written notification of the defect within the warranty period to Hansgrohe India on service@hansgrohe.in or by calling at Hansgrohe India Toll Free no. 1800- 209-3246 between 09.30 Hrs. and 18.30 Hrs. Monday to Saturday, except public and national holidays or force majeure conditions.

While registering claim under warranty customer should provide below details to Hansgrohe India.

1. Customer name / contact number / complete address with pin code / email address.
2. Type of product and date of purchase.
3. Nature of problem customer facing with Hansgrohe product.
4. Customer should produce original product purchase invoice or receipt along with the warranty certificate, at the time of issue reported.

IV. Benefits of the Hansgrohe India's Manufacturer's Warranty

Hansgrohe India shall, at its sole discretion repair or replace the defective product.

Hansgrohe India will make every effort to carry out repairs at the earliest within a reasonable period of time. Notwithstanding anything provided earlier, it is expressly clear that Hansgrohe India is under no obligation to do so in a specified period of time.

During warranty period and under normal use, if the product / component / part is found to be of faulty due to manufacturing defect, the same will be repaired or replaced upon production of relevant documents as provided herein earlier, at the sole discretion of Hansgrohe India's trained official. Hansgrohe India or its authorized customer care agents / authorized dealer agents certified will repair or replace with new or functionally operative parts free of charge, any part or parts of the product when it is identified that the defect to a duly covered product, is solely attributable to manufacturing fault and not caused due to improper installation, unauthorized repair / service or usage and other exclusions provided in this policy below. Spares and/or labor costs shall be charged according to the conditions of the warranty coverage listed. The customer must grant access to the product. In the event of non-availability of components or parts due to any reason whatsoever Hansgrohe India or its authorized customer care agents / authorized dealer agents will not be responsible or liable for any delay that may be caused to service/repair of the products and no claims financial or otherwise will be entertained.

It is entirely left to Hansgrohe India's discretion to effect repairs/replacements of parts or components of the sealed system at the site of installation or at the service stations of its branches or authorized customer care agents / authorized dealer agents or at its works.

Hansgrohe India and its authorized customer care agents / authorized dealer agents reserves the right to retain any part/s or component/s replaced at its discretion in the event of a defect noticed in the product during the warranty period. In case of replacement of product, the defective product shall be replaced free of charge by a new product of the similar kind and quality. If the product in question is no longer manufactured at the time of the notification of the defect, Hansgrohe India shall deliver a similar model of product.

If the product is installed beyond the municipal limits of Hansgrohe India's authorized customer care agents / authorized dealer agents or reseller / channel sales partner's locations, any and all costs and expenses incurred for repair/service of the products in respect of (a) to and from travel of service personnel and (b) transportation of the product and/or spare parts and/or components from the location of Hansgrohe India's branch office or authorized customer care agents / authorized dealer agents or reseller / channel sales partner, to customer's location and back shall be borne wholly and solely by the customer at the prevailing rates, and Hansgrohe India shall not be liable for any damage caused to the product in transit or delivery for repair. The transport or shipment to and from Hansgrohe India or to and from the dealer, respectively, any removal and any reinstallation of the product, or any other particular measure may only be performed upon prior written consent by Hansgrohe India. The customer shall be obliged to pick up the product himself/ herself at the nearest Hansgrohe dealer/ authorized dealer agents unless anything to the contrary is agreed upon. Hansgrohe India and customer agree that Hansgrohe India shall have no liability for any cargo loss, loss of use or any incidental or consequential damages.

In exceptional circumstances, if Hansgrohe India, at its discretion, decides to refund the purchase price and confirms this in writing, the customer shall return the defective product and Hansgrohe India shall reimburse the purchase price mentioned in the invoice of the defective product.

This warranty does not include payment of or responsibility for any excise duty, central taxes, state taxes and octroi or other local taxes assessed to the parts supplied, replacement unit or repaired during the warranty period.

Customer and Hansgrohe India agree that customer's sole remedy for any defects in goods hereunder shall be limited to the repair or replacement at Hansgrohe India's option within warranty period after delivery of such goods to the first purchaser, of any defective goods, of which notice of defects is given by the customer to Hansgrohe India in accordance with terms of this warranty certificate.

Hansgrohe India's liability will be limited and restricted to the product replacement/value of the product sold. Hansgrohe India under all circumstances shall not be liable to uninstall the defective product or installed replacement product. In case replacement is the only option then the customer has to hand over the defective product to the dealer / re-seller/supplier from whom it was purchased and take the replacement product.

V. Conditions and Exclusions

This warranty does not extend to incidental or consequential damages, losses or expenses arising out of ignorance, negligence, willful damaging, damage in transit, mishandling, voltage fluctuations, electric faults, unauthorized alteration or repair and accidents either due to faulty installation or otherwise. Also this warranty does not cover incidental, special, loss of business, consequential damage / defects of any nature resulting from improper selection / improper installation and use of the product. The conditions for the effectiveness of this Warranty are the professional installation and maintenance according to the operating instructions and the generally acknowledged rules of technology (e.g. by a master craftsman or an authorized specialist) and the compliance with the operating instructions and the use of the Hansgrohe products according to Hansgrohe India's technical and care instructions.

This includes, among others but not exclusively, that supply water pipes are rinsed professionally and thoroughly according to applicable standards in particular before the products are installed or after any building activities have been carried out, that plumbing's are in conformity with the enclosed graphical representations, and that the operating pressure in the water network is checked as concerns the technical provisions. Customers are advised that they can use appropriate pressure pump to have adequate pressure of water for optimum performance of products.

Before final tiling work, all plumbing lines & concealed fixtures to be checked for any leakage or any other functional issue to avoid any issue in product performance.

Mounting instructions and instructions for use and care are enclosed to each product and are also available at www.hansgrohe.com

The warranty does not cover:

- Wearing parts, such as e.g., seals, rubber parts hoses, washers, universal angle valves, jets, seat cover hinges etc.
- Fragile parts, such as for example glass, electric bulbs, by breaking.
- Consumables, such as e.g. batteries, filters or aerators, by consumption.
- Minor deviations of the Hansgrohe products from the nominal condition that have no influence on the serviceability of the product.
- Incoming dirt, water hammers, in particular warm water hammers, furring's, operating errors and operator's mistakes, damages due to aggressive environmental influences, chemicals, cleansing agents.
- Product defects caused by the installation, transport and trial run of the bought product

In addition to the exclusions earlier provided, the Warranty does **not apply** in case of:

- If customer fails to produce product purchase invoice / receipt / warranty certificate.
- Non-conformity with the mounting instructions and instructions for use and care that were provided or are available at www.hansgrohe.com
- Installation, maintenance, repair or care by non-professional persons.
- Product defects that have been caused by the customer, plumber or third persons.
- Damage attributed to normal wear and tear.
- Any defect or damage arising from reasons attributable to the customer/ third party, including without limitation willful actions, negligence, mishandling, improper storage, improper fitting, misuse or improper repair, faulty installation, negligence, accidents and repairs by unauthorized person or maintenance practices and/or used in any manner contrary to any written instructions provided by Hansgrohe India.
- Lack of or incorrect maintenance.
- problems arising from insufficient water pressure, water impurities or improper care and cleaning and Voltage fluctuations.
- Intentional and accidental use of cleaners containing abrasive cleansers, ammonia, bleach, hair dye, acids, waxes, alcohol, solvents, bath oil, bath salts or other products not recommended for color and coating and due to improper cleaning or cleaning with coarse cloth also for fading of any material due to sun or chemical exposure.
- Any other defect or damage occurring or being notified after the expiry of Warranty Period, including but not limited to any latent defect.
- Any goods which after delivery hereunder have been repaired or modified or altered by anyone other than that has been authorized and approved by Hansgrohe India.

Hansgrohe India shall also not be liable to customer claiming the warranty under the terms of condition of this limited warranty, due to defects caused by rodents/pets or in the events of force majeure. The 'Force Majeure' means any disaster, act of God or the public enemy, any accident, explosion, fire, storm, earthquake, electric

storms, tornado, flood, casualty, lockout, strike, labour conditions, unavoidable accident, explosion, national calamity, epidemic or pandemic or any other circumstance or event or by any enactment of law, or by order of

any legally constituted authority, or government restriction and/or restraining order or by any other similar cause of the Hansgrohe India or beyond the reasonable control of the party relying upon such circumstance or event.

VI. Non-applicability of the Warranty

This warranty will automatically terminate on the expiry of the warranty period, even if the product may not be in use for any time during the warranty period for any reason. Additionally, if it turns out that a product defect is not covered by this Warranty, the costs arising due to the shipping and transport of this product shall be borne by the customer himself/ herself. Moreover, the customer shall bear the costs, including any labor costs, that arise due to the inspection of the product, as well as the costs for the removal and reinstallation of the product. If the customer requires that the repair be executed after he/she has been informed about the non-applicability of the Warranty and about the expected costs for the repair, he/she must also bear the costs for the spare parts and the labor costs.

If the product did not already have the defect at the time of delivery of the same, Hansgrohe India shall decide in each individual case whether a repair will be performed by good will. In this case, the customer shall have no legal basis to claim benefits from this Warranty.

VII. Place of Performance, Place of Jurisdiction and Applicable Right

This Warranty policy is of Hansgrohe India Private Limited, Office No. 5, 7th Floor, Fountainhead Tower 2 Viman Nagar, Pune 411014, Pune, Maharashtra, India.

This warranty shall be governed by laws of India and the Courts at Pune, Maharashtra shall have exclusive jurisdiction to entertain any dispute regarding or arising out of this warranty or the sale of the product.

Hansgrohe India Private Limited

Office No. 5, 7th Floor, Fountainhead Tower 2
Viman Nagar, Pune 411014, Pune, Maharashtra, India

Phone: +91 2066259500

Internet: www.hansgrohe.com

This warranty chart is the part and parcel of Warranty Policy

WARRANTY PERIOD CHART		
Product Category	Proposed Warranty Period for Hansgrohe	
	Residential	Commercial Projects
Shower Toilet Ceramic Bowl	5 Year	2 Year
Electronic & Electrical Components *inside Shower Toilet Seat Covers	1 Year	6 Months
Toilet Seats / Hinges / Seat Covers / Hydraulic Parts / Bumpers	2 Year	1 Year
Remote Controls	1 Year	1 Year

*Electrical / Electronic Components such as Sensors/ Motors/ Pumps/ Solenoid Valves/ Heaters/ Circuits Boards/ Blower / Filler Valve/ Discharge Valve / Battery / Power Adapters / Power Cables Controllers are considered as Electronic/Electric Components.