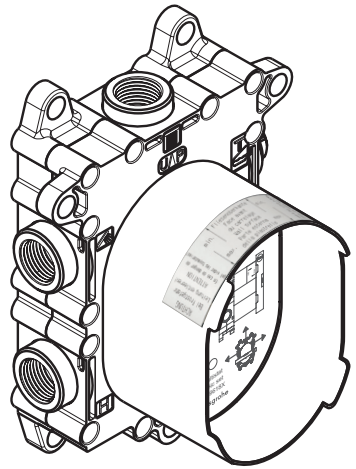


ZH 组装说明

EN Assembly instructions

2

3



iBox Multistat

15896187

**安全技巧**

- △ 装配时为避免挤压和切割受伤, 必须戴上手套.
- △ 冷热水管间过大的压力差必须予以平衡.

安装提示

- 安装前必须检查产品是否受到运输损害. 安装后将不认可运输损害或表面损伤.
- 管道和阀门必须根据通用标准进行安装, 冲洗和检查.
- 请遵守当地国家现行的安装规定.
- iBox 用于安装浴缸和淋浴器. 插入不使用的插座.
- 基体安装在热水连接装置左侧和冷水连接装置右侧.
- 安装深度: 75 mm 至 100 mm.
- 本安装说明中所规定的安装尺寸理想用于身高 1800 mm 左右的人士. 尺寸可根据需要进行修改. 在这种情况下, 您必须留意, 如果安装高度改变, 则花洒到地板的最小高度也随之改变, 且必须考虑到连接尺寸的改变.
- **冲洗管系统:** 水槽块上的箭头显示哪个进水口与哪个出水管相连, 例如, 冷水连接上方出水口, 热水连接下方出水口. (参见第页 7)
- **安装提示:** 为了拧入连接件或者为了调整装配圈, 通过一个管件将iBox夹到台钳中. (参见第页 7)

安装示意

根据构造的实际情况安装基体 (安装示意 参见第页 8 / 9).

- A** 直接墙面安装.
- B** 直接墙面安装, 带 10 mm 可调节的固定柱头螺栓.
- C** 安装在支柱上.
- D** 使用专用的支撑框架脱离墙壁安装
- E** 砖墙安装

技术参数

工作压力:	最大 1 MPa
推荐工作压强:	0,1 - 0,5 MPa
测试压强:	1,6 MPa
	(1 MPa = 10 bar = 147 PSI)
热水温度:	最大 60°C
接口尺寸 Rp 1/2:	左热右冷
0,3 MPa 时的流速:	
恒温龙头及闭锁和分流器单元:	23 升/分钟
该产品专为饮用水设计!	

符号说明

请勿使用含有乙酸的硅胶!



大小 (参见第页 6)



安装实例 (参见第页 4 / 5)



备用零件 (参见第页 10)

选装附件 (不在供货范围内)

- 加长件 10 mm #87049000 (参见第页 10)
- 外墙扩展板 #87050000 (参见第页 10)



Safety Notes

- ⚠ Gloves should be worn during installation to prevent crushing and cutting injuries.
- ⚠ The hot and cold supplies must be of equal pressures.

Installation Instructions

- Prior to installation, inspect the product for transport damages. After it has been installed, no transport or surface damage will be honoured.
- The pipes and the fixture must be installed, flushed and tested as per the applicable standards.
- The plumbing codes applicable in the respective countries must be observed.
- The iBox is suitable for both bath and shower applications. Plug the unused outlet.
- Install body with the hot water supply left and cold water supply right.
- Depth of fitting: 75 mm to 100 mm.
- The installation dimensions stated in these installation instructions are ideal for people of approximately 1800 mm in body height. The dimensions can be altered if required. In this case, pay attention to the fact that a change of installation height will also change the minimum height, and that the altered mounting dimensions must be taken into consideration.
- **Flush piping system:** The arrows on the flush body show which inlet is connected to which outlet pipe, e.g. cold water to the upper outlet and hot water to the lower outlet. (see page 7)
- **Installation tip:** To turn in the supply pipes or to adjust the installation ring, fix the iBox with a pipe in the vice. (see page 7)

Installation example

The basic set can depending on the building application be mounted in different ways (Installation example see page 8 / 9).

- A** Direct wall installation.
- B** Direct wall installation with 10 mm adjustable mounting studs.
- C** Installation on carrier system.
- D** Off wall installation with special support frame.
- E** Brick wall installation.

Technical Data

Operating pressure:	max. 1 MPa
Recommended operating pressure:	0,1 - 0,5 MPa
Test pressure:	1,6 MPa (1 MPa = 10 bar = 147 PSI)
Hot water temperature:	max. 60 °C
Connections Rp 1/2:	cold right - hot left
Rate of flow by 0,3 MPa:	
Thermostatic mixer with shut off and diverter unit:	23 l/min
The product is exclusively designed for drinking water!	

Symbol description



Do not use silicone containing acetic acid!



Dimensions (see page 6)



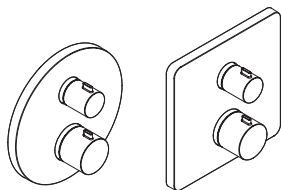
Installation example
(see page 4 / 5)



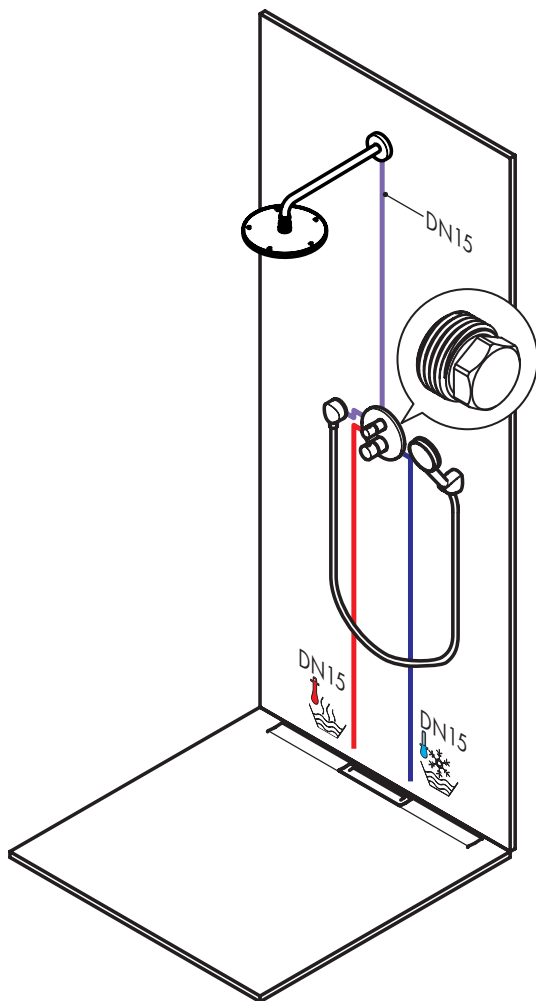
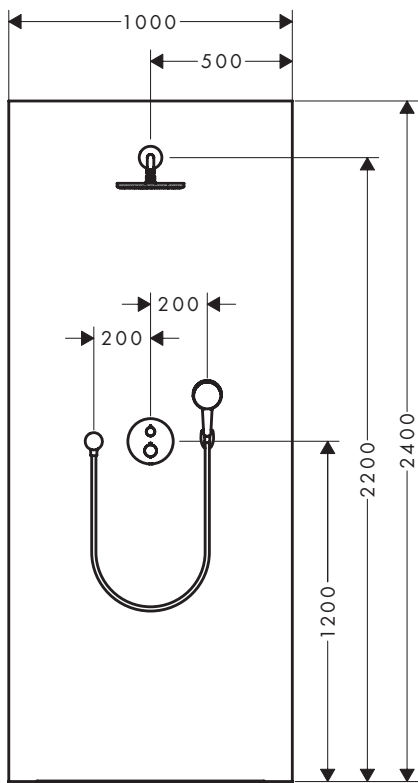
Spare parts (see page 10)

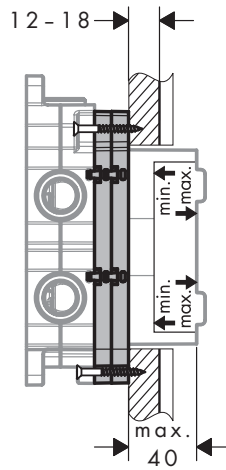
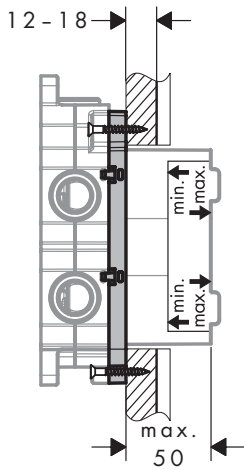
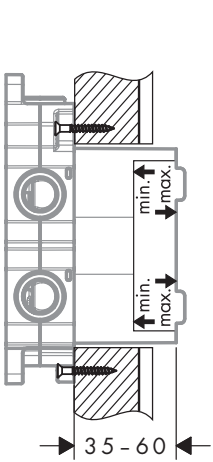
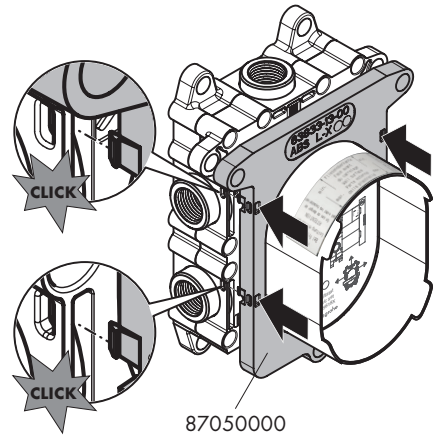
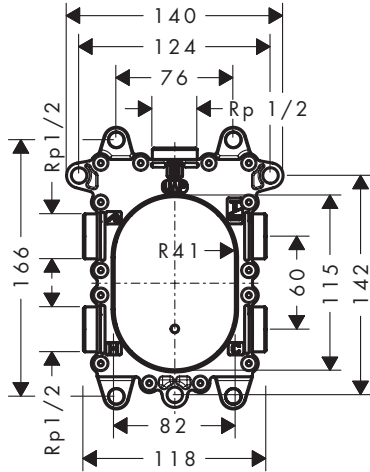
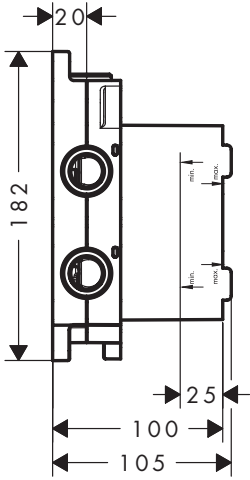
Special accessories (order as an extra)

- extension 10 mm #87049000
(see page 10)
- Drywall adapter plate #87050000
(see page 10)



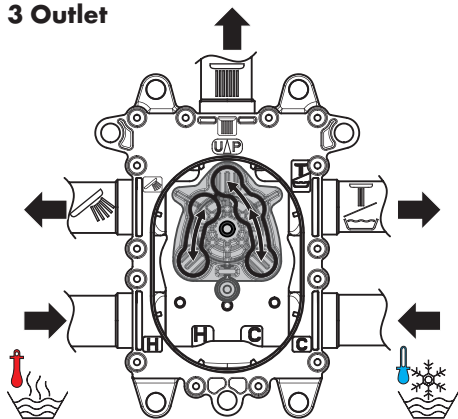
Multistat S 15872XX7 **Multistat Q** 15874XX7



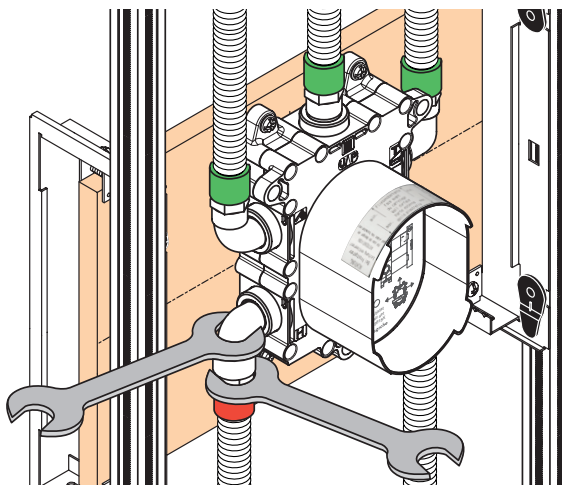
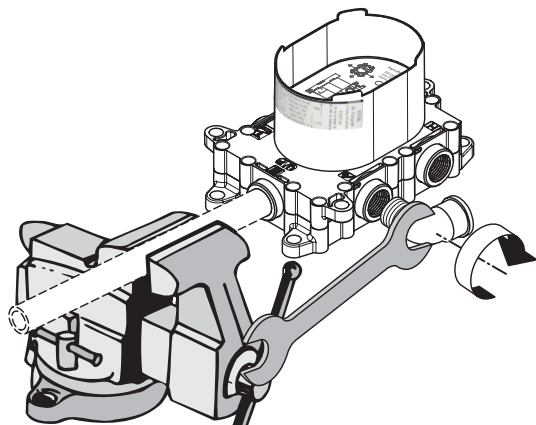
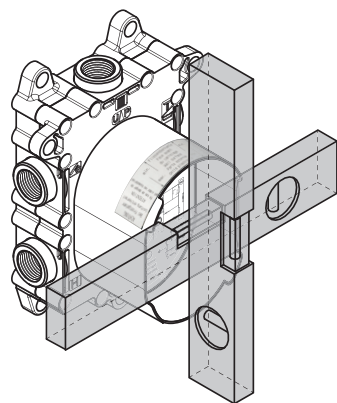
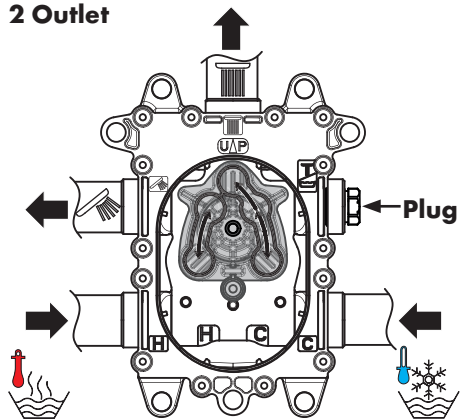


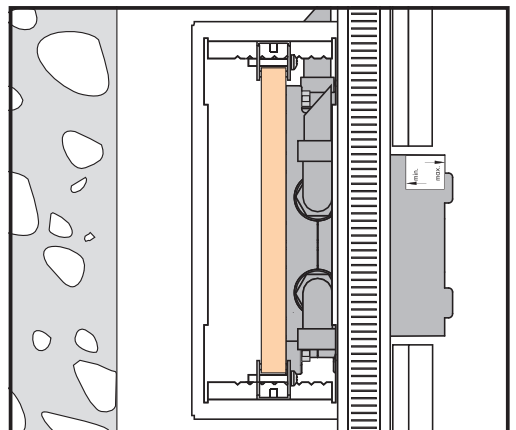
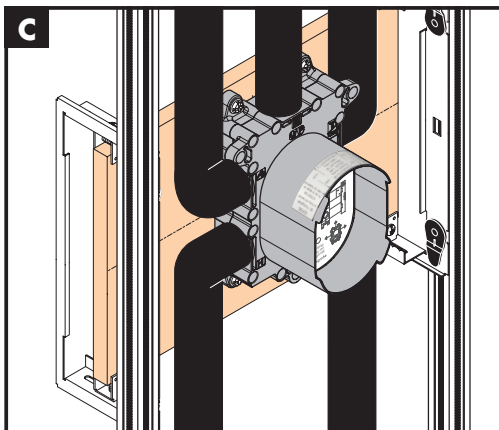
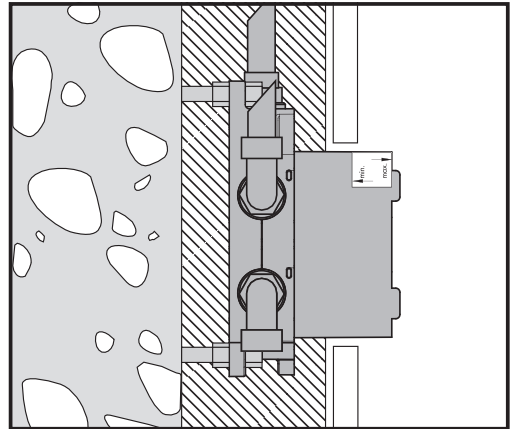
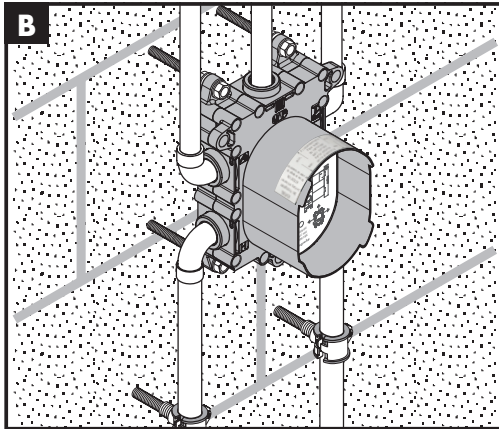
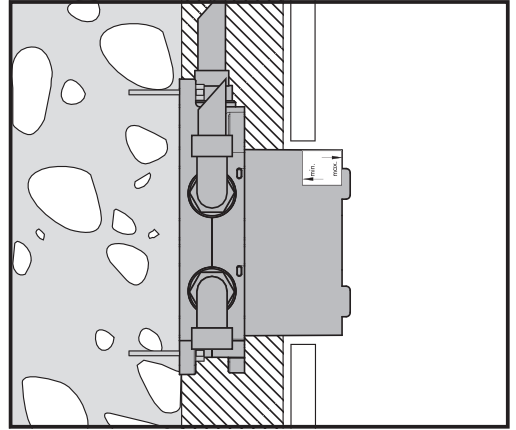
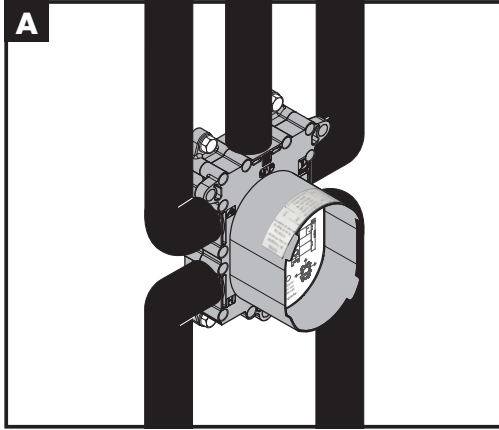


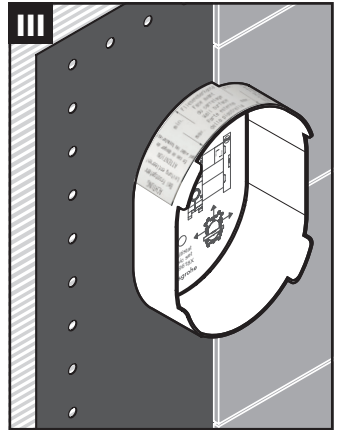
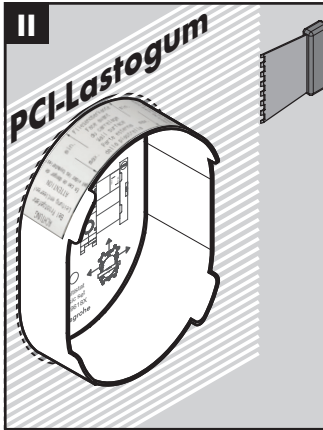
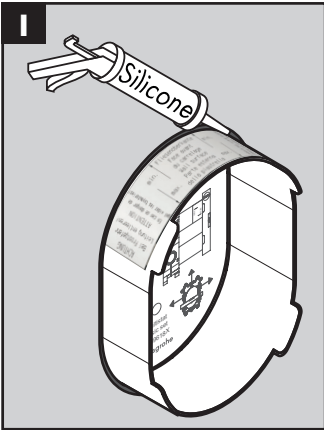
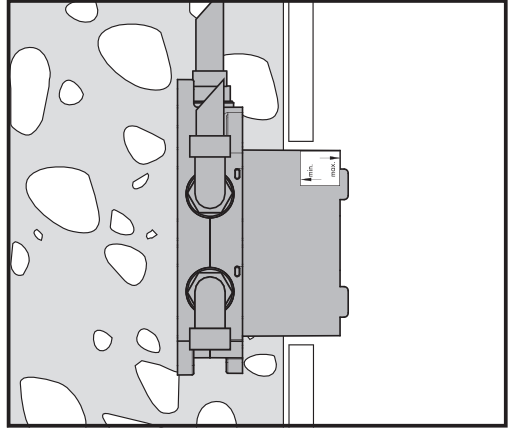
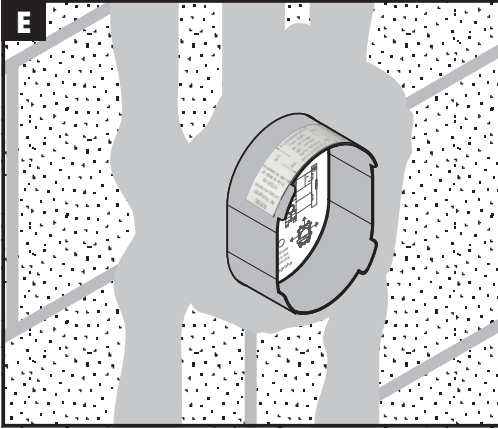
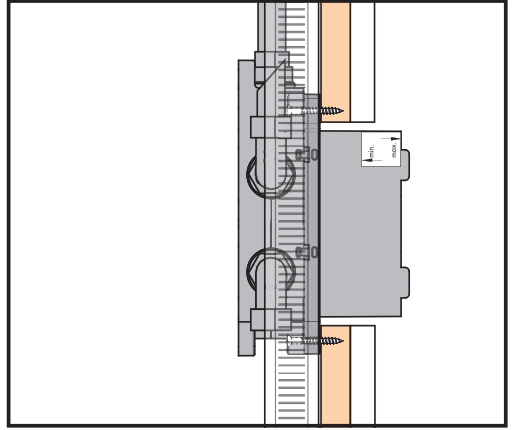
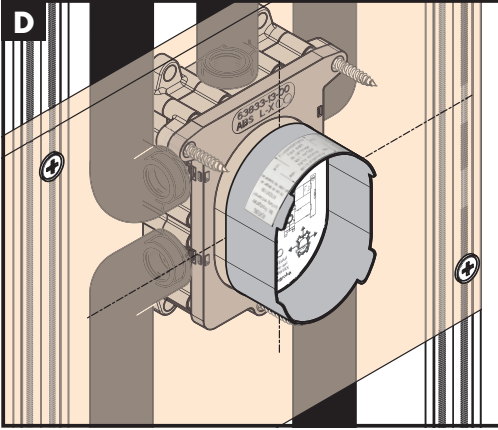
3 Outlet

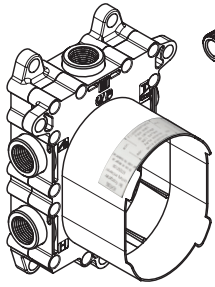


2 Outlet



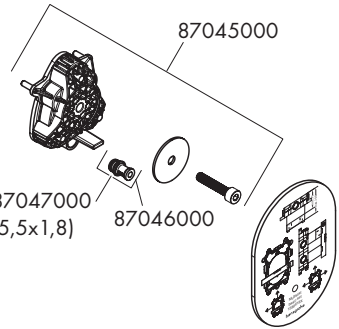
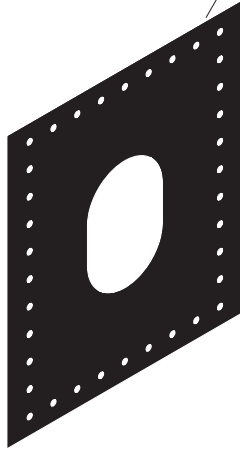






97998000

87048000



87045000

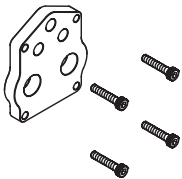
87047000
(5,5x1,8)

87046000



Extension

87049000 (10mm)



Drywall adapter plate

87050000

