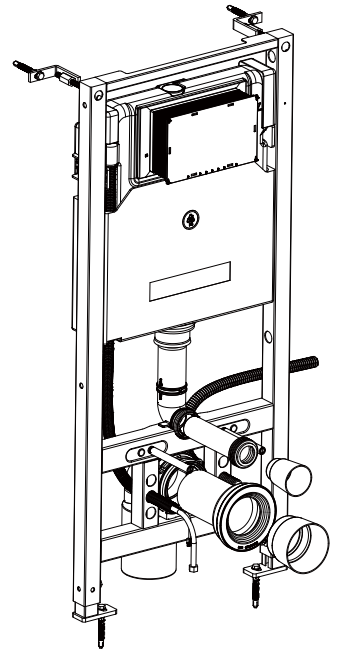


**ZH** 用户手册 / 组装说明 **2**

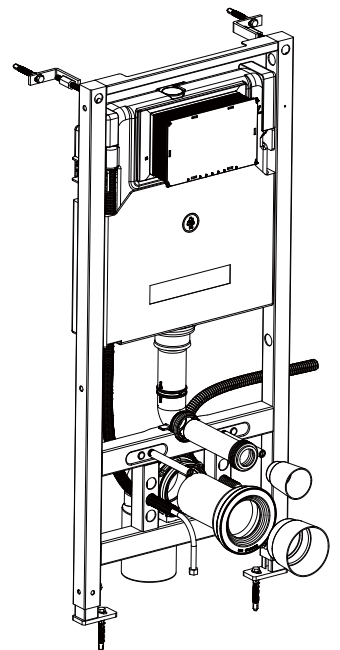
**EN** Instructions for use / Assembly instructions **2**



**隐藏式水箱**  
**Concealed cistern system**

自动冲水，配智能坐便器，1144，PVC  
Auto flush, Electronic, 1144, PVC  
01014187

自动冲水，配智能坐便器，1144，HDPE  
Auto flush, Electronic, 1144, HDPE  
01016187



**隐藏式水箱**  
**Concealed cistern system**


手动冲水，配智能坐便器，1144，PVC  
Electronic, 1144, PVC  
01018187

手动冲水，配智能坐便器，1144，HDPE  
Electronic, 1144, HDPE  
01020187

**安全技巧**

△ 装配时为避免挤压和切割受伤, 必须戴上手套。


**安装提示**

- 安装前必须检查产品是否受到运输损害. 安装后将不认可运输损害或表面损伤。
- 管道和阀门必须根据通用标准进行安装, 冲洗和检查。
- 请遵守当地国家现行的安装规定。
- 安装前, 应先确认安装位置, 并确定装修完成后的地坪面FFL, 在安装墙面上划出该线作为高度为0m的基准线。
- 在安装水箱前, 请确认所安装墙壁是承重墙, 墙面厚度不少于80mm。
- 水箱安装完成后, 请妥善保存连接管  **#87427007, #87572007** (参见第页 10), 待安装陶瓷件时使用。

**符号说明**

 请勿使用含有乙酸的硅胶!


 大小 (参见第页 3)

 备用零件 (参见第页 10)

**Safety Notes**

△ Gloves should be worn during installation to prevent crushing and cutting injuries.

**Installation Instructions**

- Prior to installation, inspect the product for transport damages. After it has been installed, no transport or surface damage will be honoured.
- The pipes and the fixture must be installed, flushed and tested as per the applicable standards.
- The plumbing codes applicable in the respective countries must be observed.
- Please confirm the installation position and finished floor level (FFL). Line out the FFL on the wall and always regard FFL as datum line of 0 height.
- Prior to the installation, please make sure that the wall where the water tank is installed is a load-bearing wall with a thickness of not less than 80mm.
- After installation of the inwall-tank, please keep the connection pipes  **#87427007, #87572007** (see page 10) properly for use when installing the ceramic bowl of the toilet.

**Symbol description**

 Do not use silicone containing acetic acid!

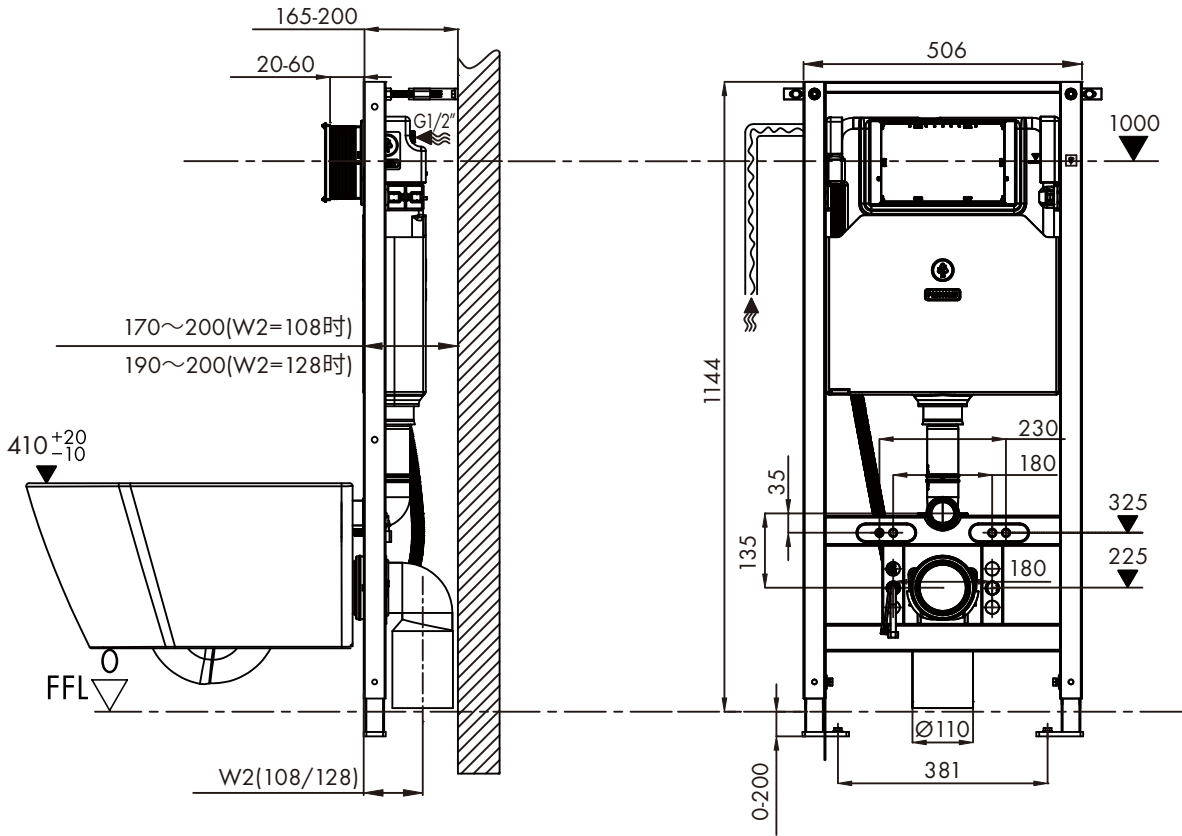
 **Dimensions** (see page 3)

 **Spare parts** (see page 10)

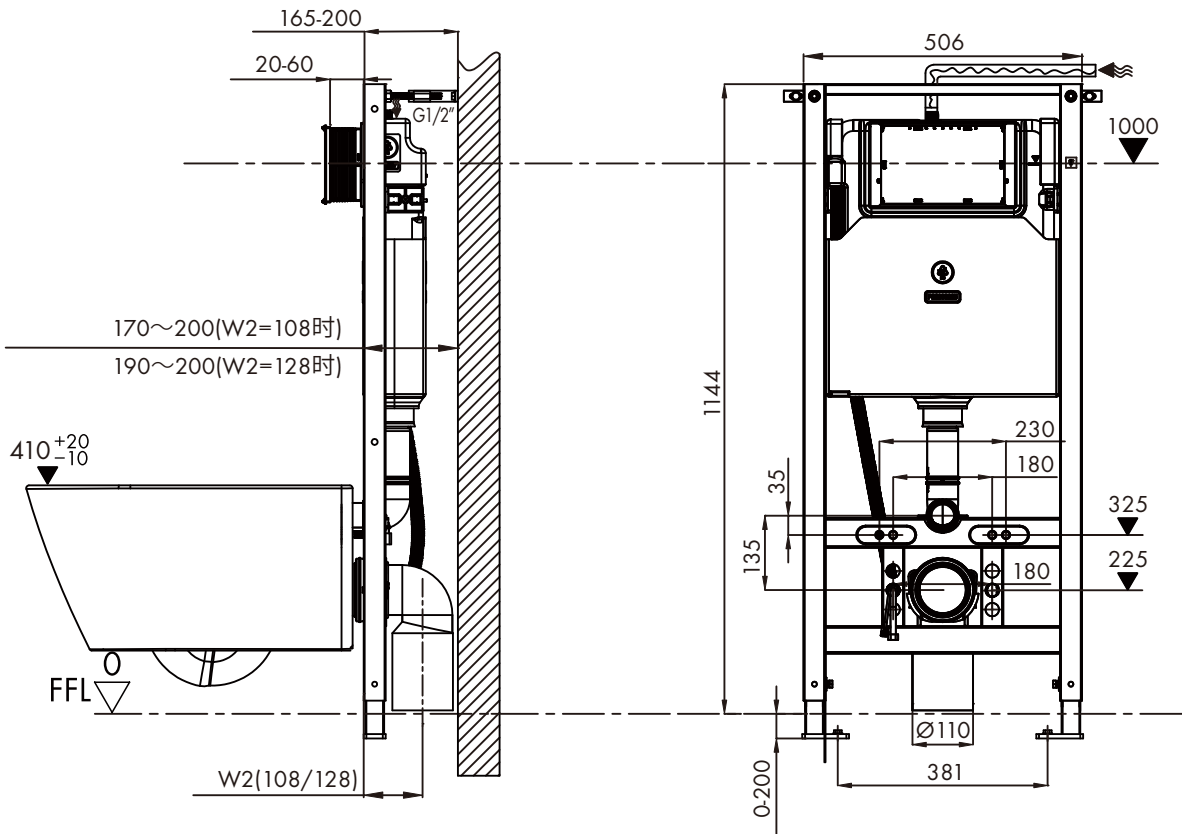
**技术规格 / Technical Specifications**

项目 / Article No.	01014187	01016187	01018187	01020187
区分 / Difference	自动冲水 / Auto flush		手动冲水 / Manual flush	
排污管 / Sewage pipe	PVC	HDPE	PVC	HDPE

- 1. 水箱后孔进水 (供水管必须接在水箱自带的调节阀上)
- 1. Reat water inlet (Connect water supply hose to tank control valve)



- 2. 水箱顶孔进水 (供水管必须接在水箱自带的调节阀上)
- 2. Top water inlet (Connect water supply hose to tank control valve)





**ZH** 图1a至图1c是三种排水管安装系统。客户应根据排水口位置确认哪种安装系统。

注:1 所有尺寸单位为毫米;

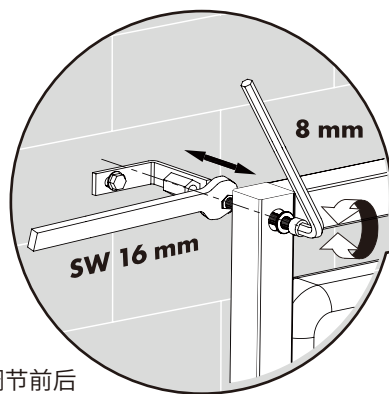
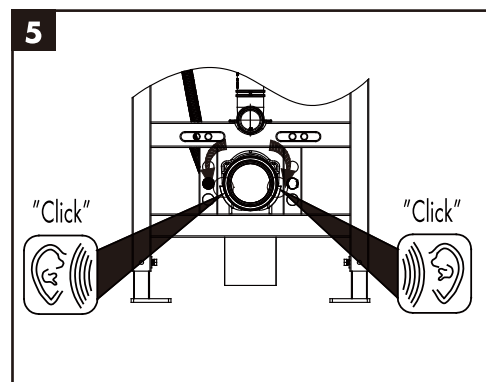
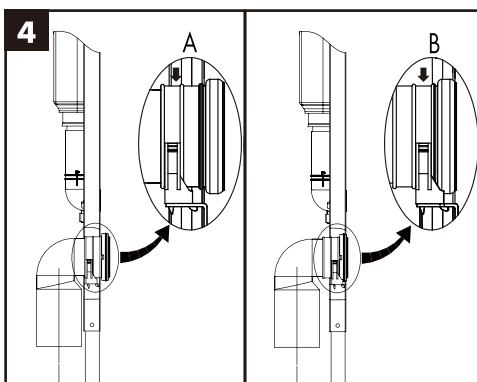
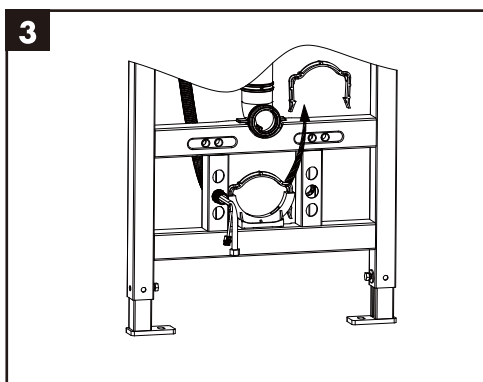
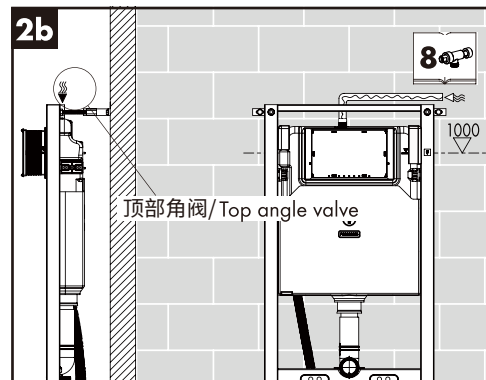
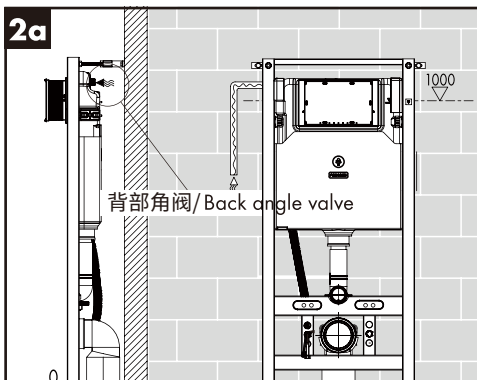
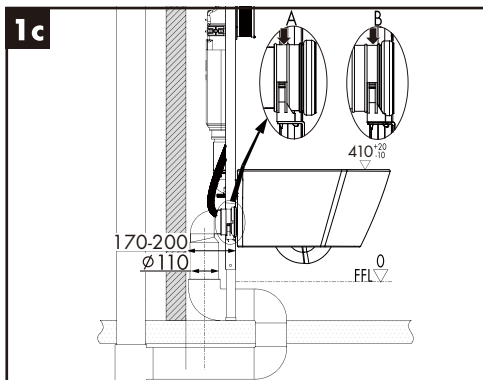
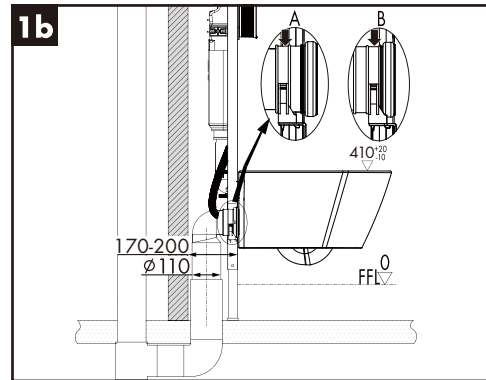
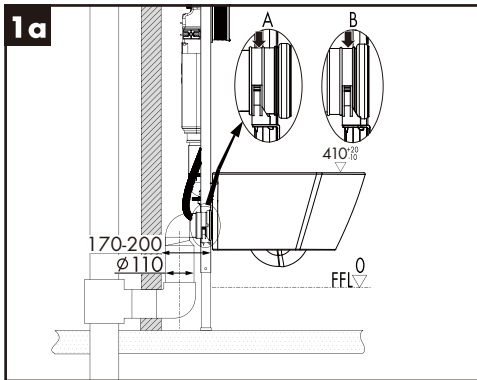
2 如果出现与图纸不一致的情况,请遵循实际产品。

**EN** Drainage System Layout Drawing 1a to 1c are three different installation systems for drain pipe. Customer should confirm whichever installation system according to drainage outlet position.

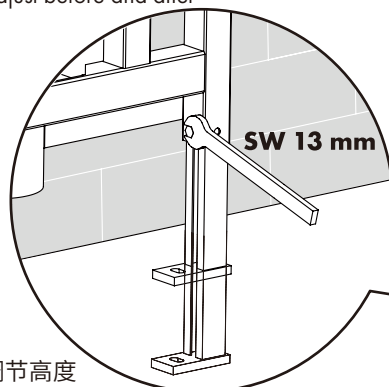
NOTES:1 All size unit in mm

2. Follow the material product, should there is an unconfornity with drawing.

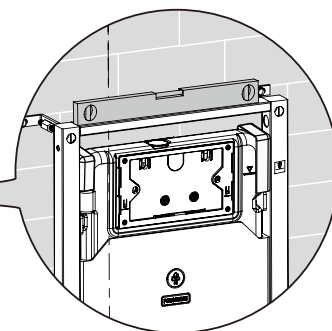
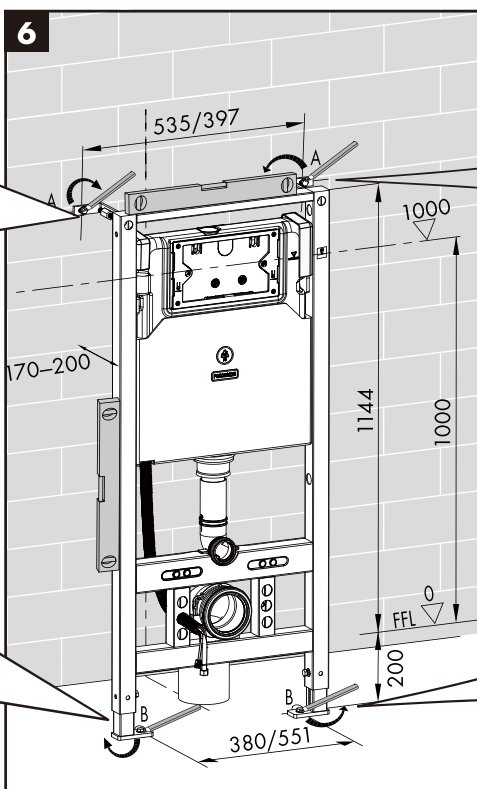
**!** FFL<sup>0</sup> = 完成面 / Finished Floor



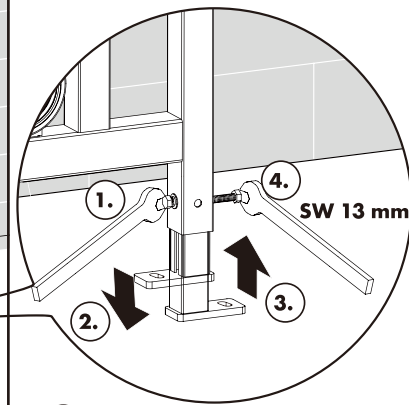
**2.** 调节前后  
Adjust before and after



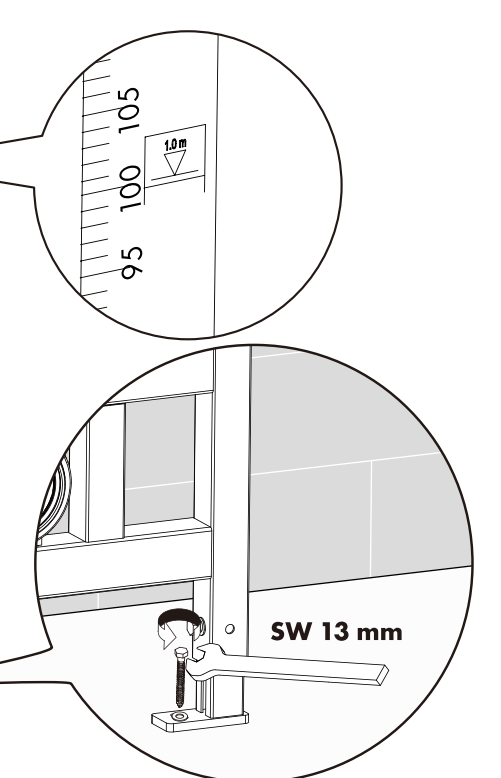
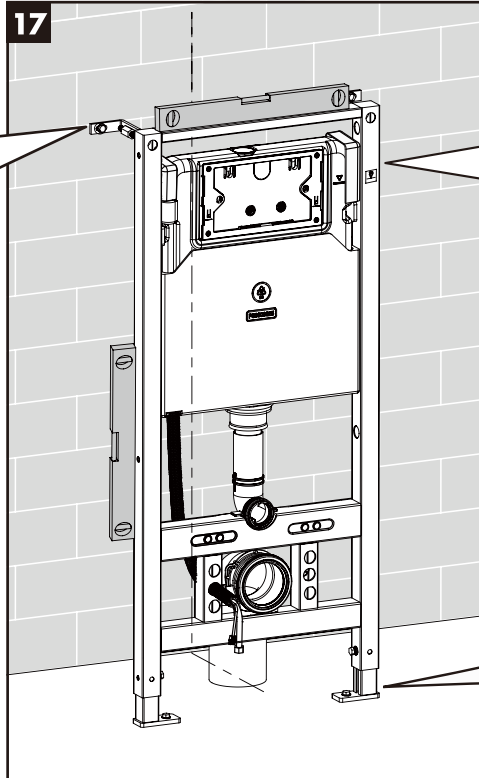
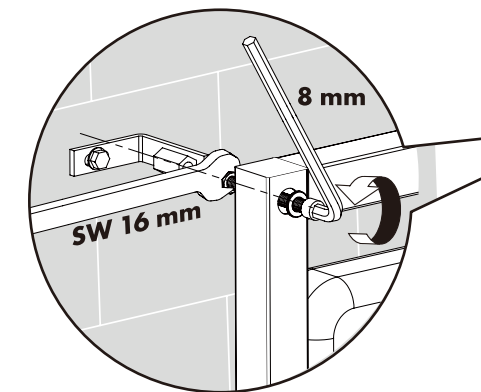
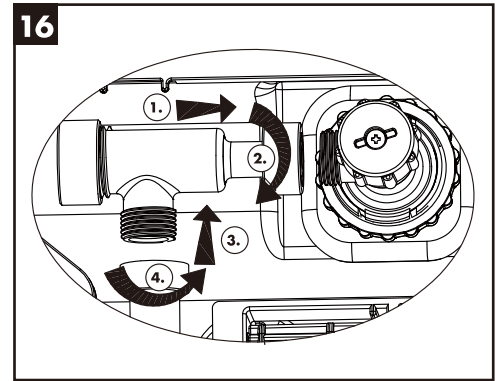
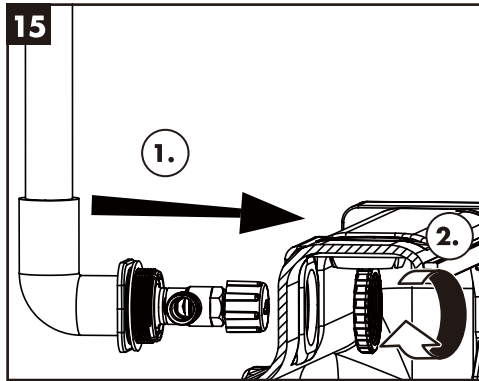
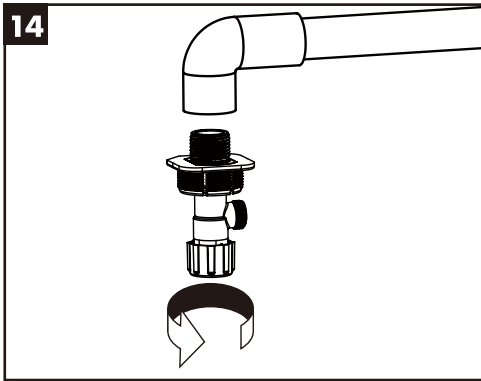
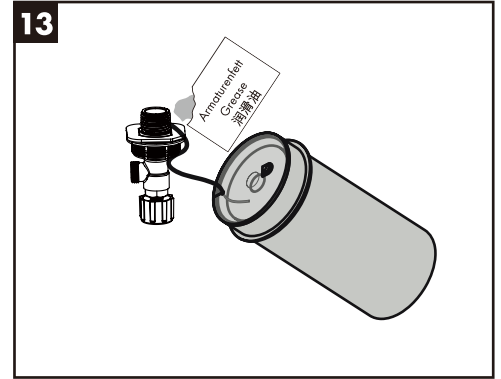
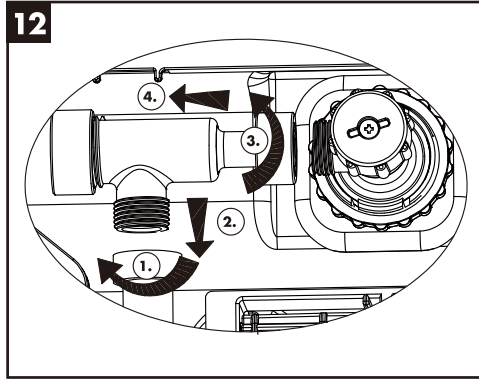
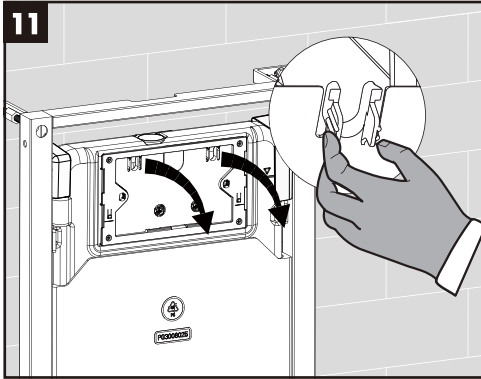
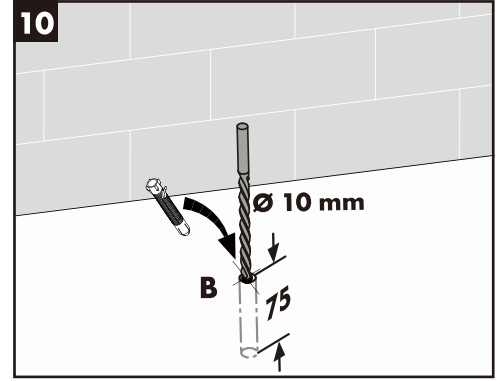
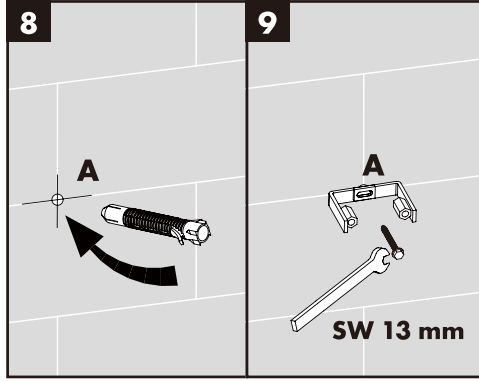
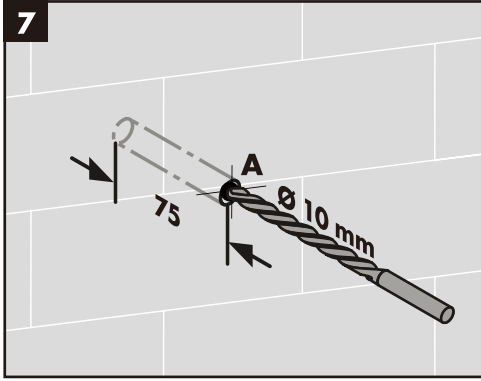
**3.** 调节高度  
Adjust height



**4.** 水平调节  
Horizontal adjustment



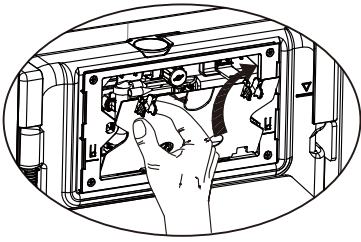
**1.** 确认调节杆朝内或朝外  
Confirm whether the adjusting rod is facing inward or outward



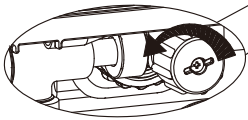


## 18. 离座自动冲刷模块 (仅限自动冲水01014187、01016187)

## 18. Auto flushing module (Only for auto flushing 01014187、01016187)



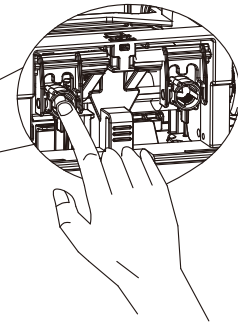
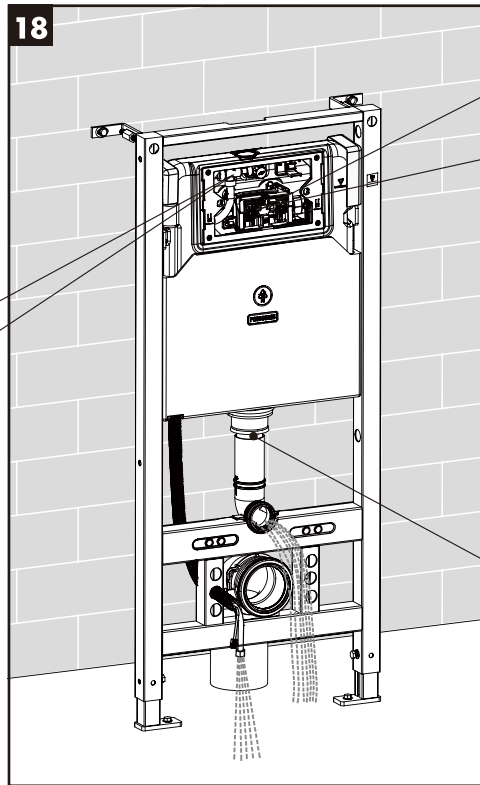
1. 取下水箱盖  
Remove cistern cover first



2. 打开角阀开关  
Switch on angle valve

注意：打开角阀前将水桶放置编织管及水箱出水口盛水，避免淋湿地板。

Note: Put a bucket in water outlet before opening angle valve, to prevent a wet floor.



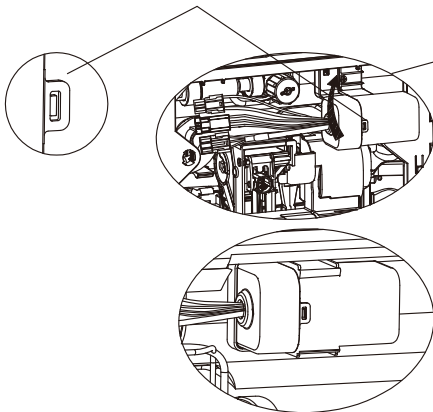
3. 按下全排或半排，检查水箱是否正常排水  
Activate full flush or half flush to check water discharging function

注意：排水过程中此处不可漏水

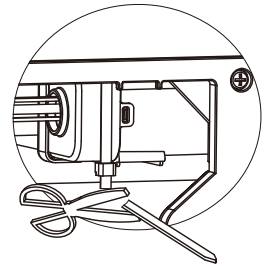
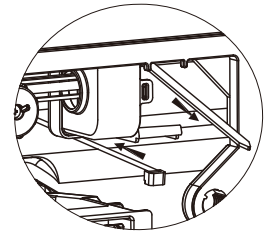
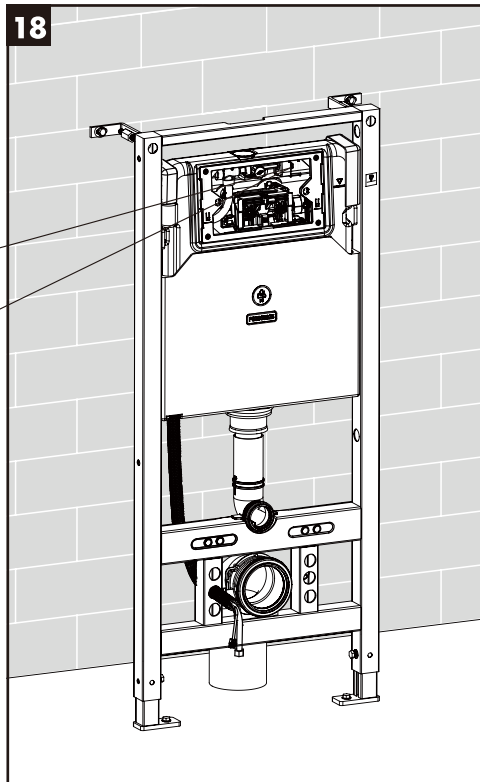
Note: This part must not leak during the water discharge process.

注：模块上卡扣朝水箱正面以及模块防水线朝左边(如图所示)

Note: The clip on the module should face the front of the cistern, and the waterproof wire of the module should face the left side (as shown in the figure)



4. 离座自动冲刷模块装入安装支架内  
Install auto flushing module into mounting bracket

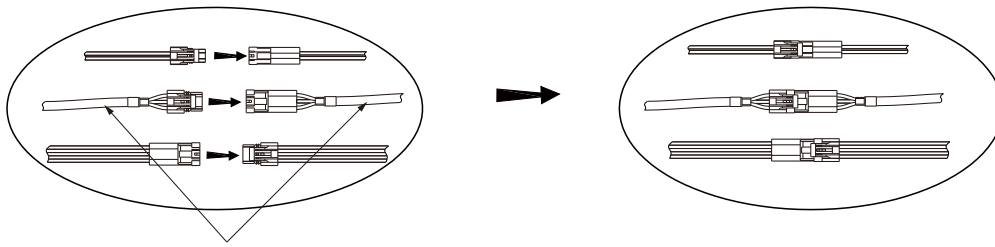


5. 黑色扎带穿过离座自动冲刷模块并扎紧，将多余扎带剪掉  
Pass the black cable tie through the auto flushing module and tie it tightly, and cut off the excess cable tie

6. 防水连接线按照如图连接  
注意：有带黑色线皮的防水连接线需要相连接

Connect the waterproof connecting wires as shown in the figure.

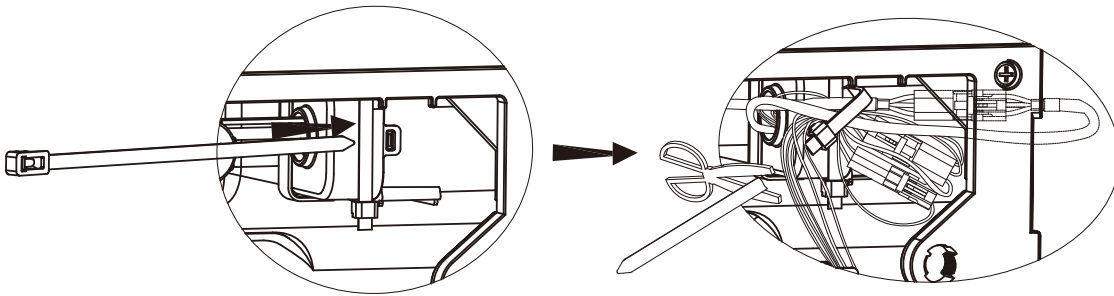
Note: The waterproof connecting wire with a black cover that needs to be connected.



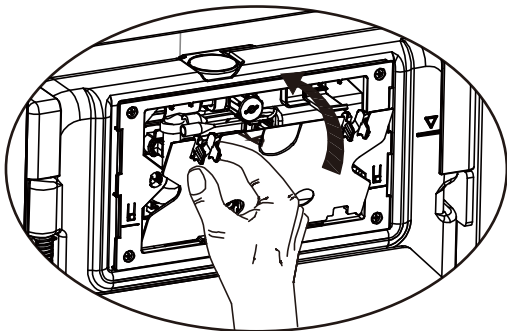
带黑色线皮的防水连接线

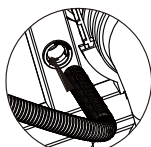
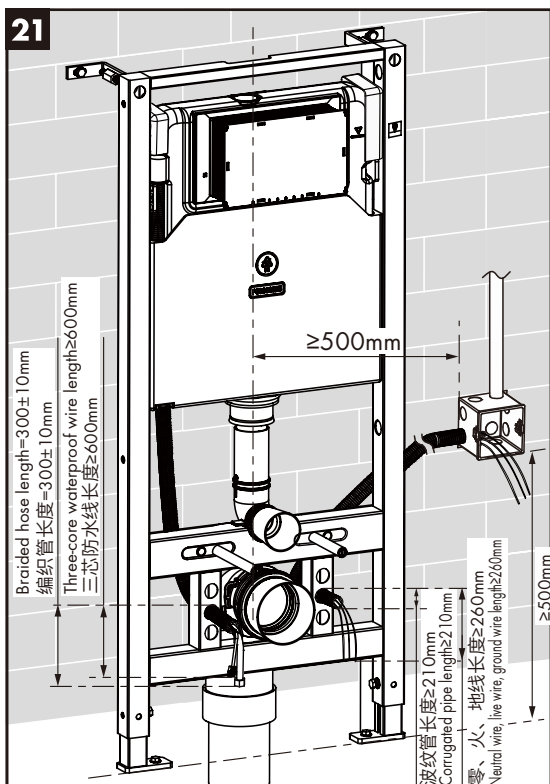
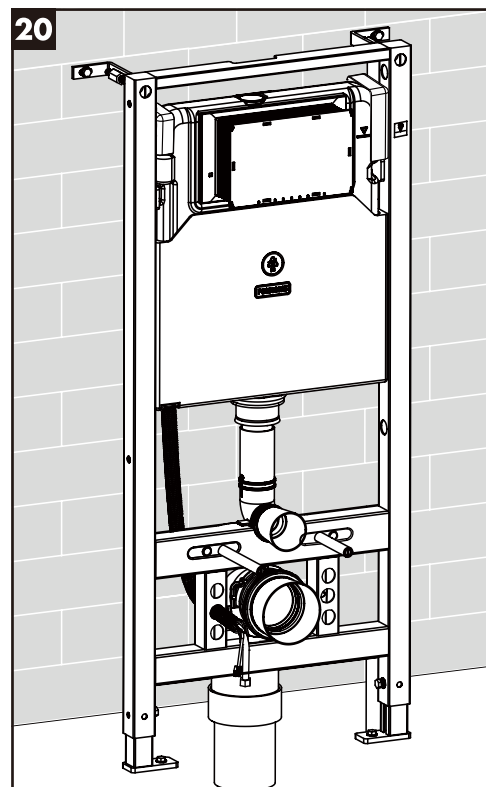
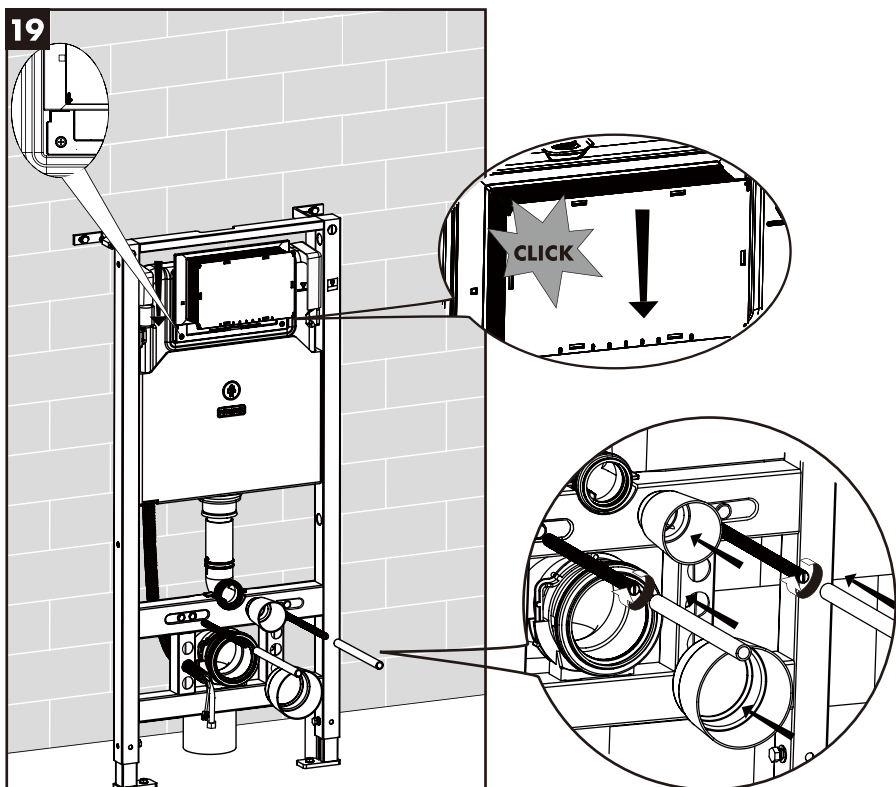
The waterproof connecting wire with a black cover

7. 白色扎带穿过黑色扎带，再将三条防水连接线按照图示扎紧，将多余扎带剪掉  
Pass the white cable tie through the black cable tie, then tie the three waterproof connecting wires tightly as shown in the figure, and cut off the excess cable tie

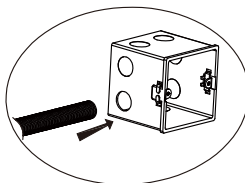


8. 装上水箱盖  
Install cistern cover

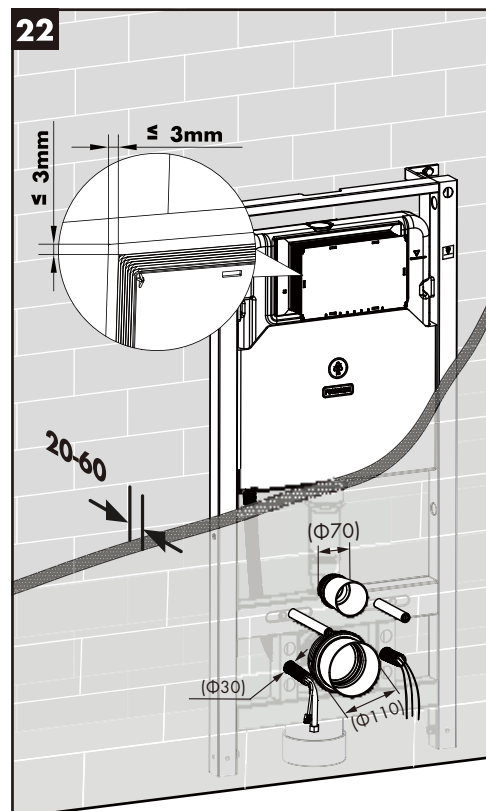




1. 波纹管一端穿入铁架背面带有管夹圆孔  
One end of the corrugated pipe is inserted into a round hole with a pipe clamp on the back of the iron frame



2. 另一端穿入断路器-接线盒 (客户自行购买)  
The other end is inserted into the circuit breaker-junction box (purchased by the customer)



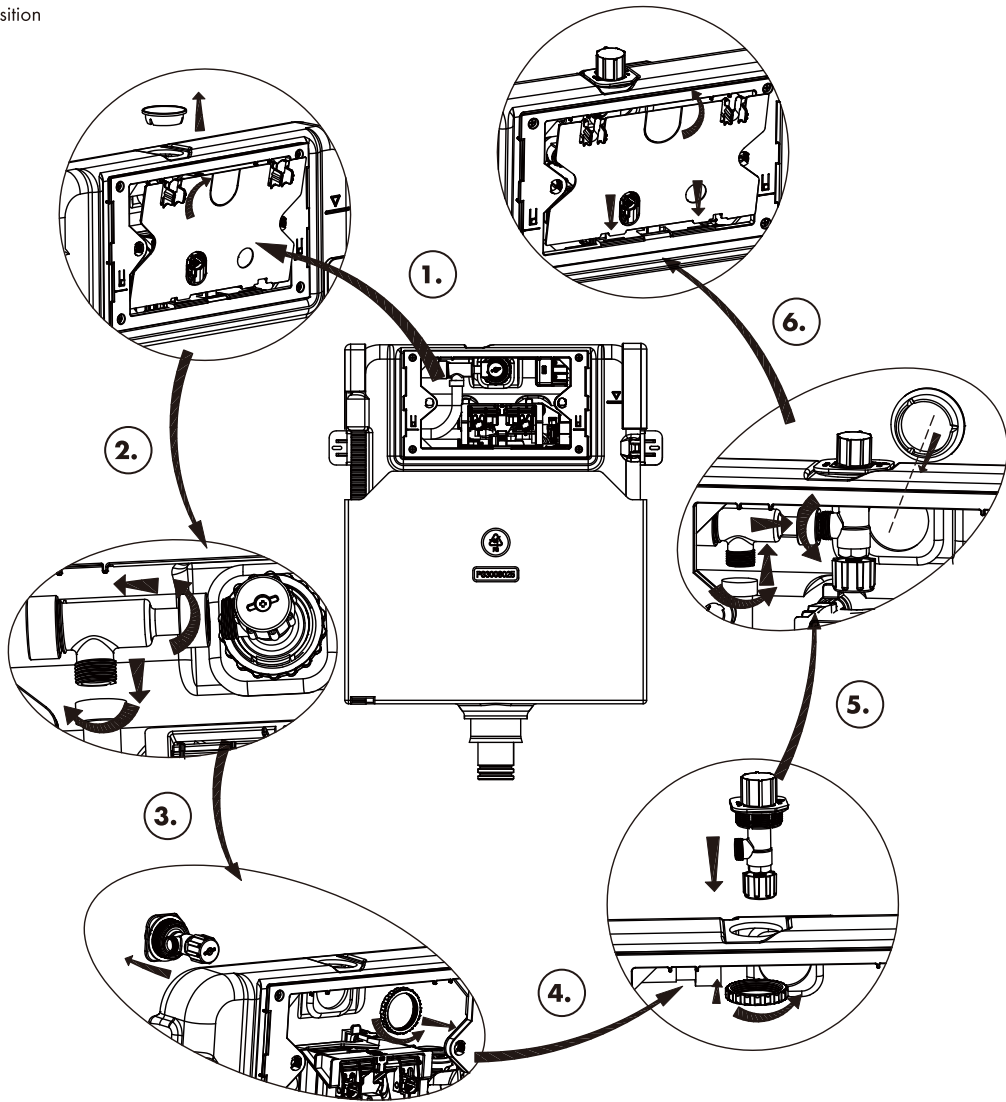
注：~220V ⚡ 零/火/地电线由客户穿入波纹管至断路器-接线盒

Note: The ~220V ⚡ neutral/live/ground wires are to be threaded through the corrugated pipe by the customer to the circuit breaker-junction box

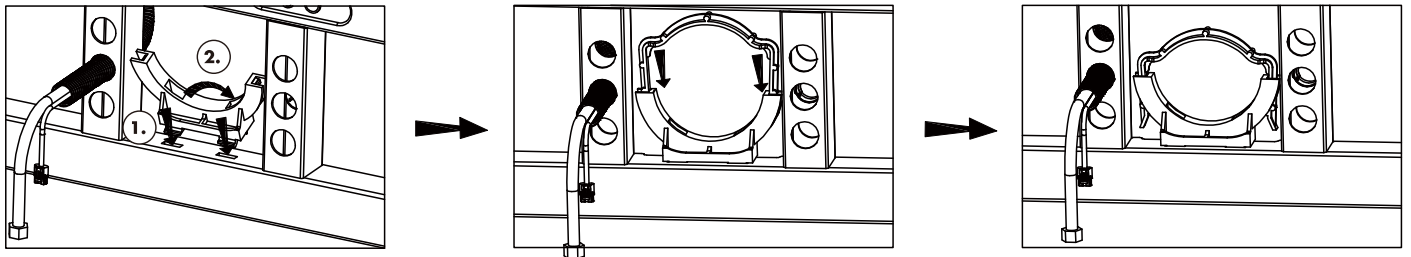


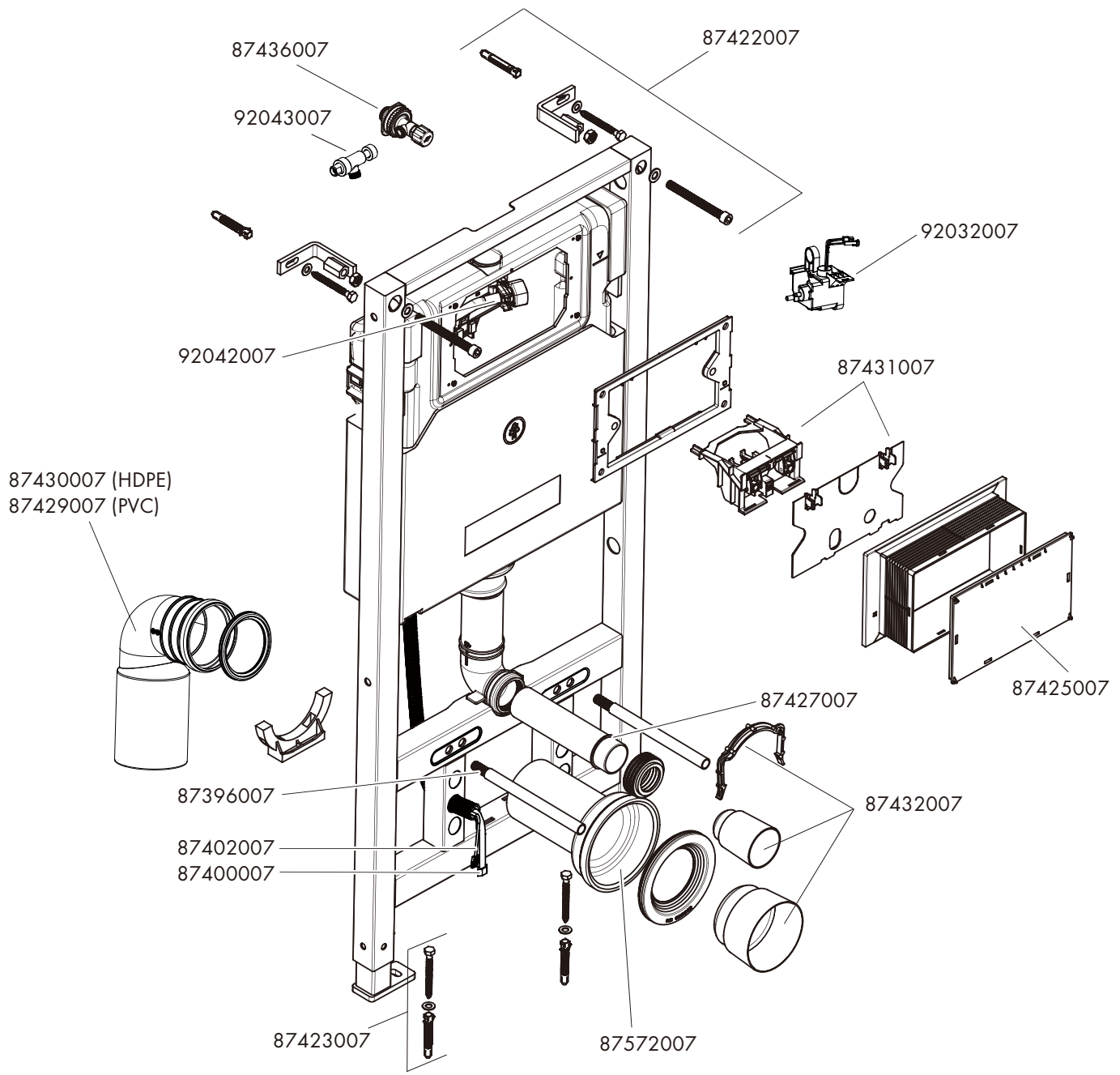


**ZH** 更改角阀位置  
**EN** change angle valve position

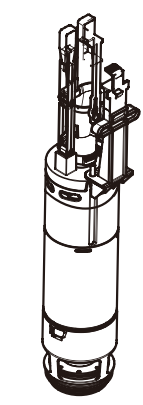


**ZH** 卡扣底座安装方法  
**EN** Clip Base installation

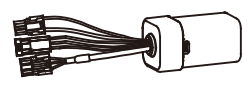




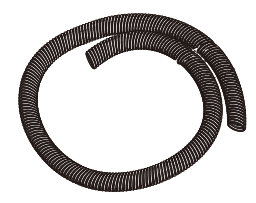
87434007



92045007



87398007



87399007



# 产品保修卡

产品型号		客户姓名	
销售单位		购买日期	
发票号码		客户电话	
经销商盖章		经销商电话	

汉斯格雅保证，自购买日起（以购买单据日期为准），本公司将为您提供免费的保修服务：整机保修三年，官方服务平台注册成功后，延保两年。本保证只适用于在中国大陆地区购买和安装的产品。

如果在正常住宅使用中发现缺陷，在购买之日起质保期内发现任何正常使用中出现的缺陷，汉斯格雅会选择维修、更换或适当调整。除上述涉及维修、更换或调整的费用外，汉斯格雅不负责其它人工费、搬迁或安装，或其他附带或后续费用。

如果产品用于商业用途，汉斯格雅保证产品在自购买之日起的1年内无材料和工艺缺陷，除期限外适用本保证的所有其他条款。

以下条款适用于所有产品：

默示保证，包括适销性和适用于特定用途的保证，在期限上明确限于本保证的期限。汉斯格雅和/或卖方不承担任何特殊、附带或后续损害赔偿赔偿责任。

本保证赋予您特定的法律权利。您可能也有其他权利。本保修仅适用于原购买方，不包括无论是由承包商、服务公司还是消费者制造：因产品使用不当或不按规定使用产品；产品安装、调试不正确；产品的正常磨损；操作不当；产品保养不善；使用不适合产品的工具和设备；化学腐蚀、电化学或电因素等原因造成的产品损坏。

本英文表述仅供参考，若有任何歧义，以中文表述为准。

## Warranty Card

Model No.		Customer Name	
Seller		Purchasing Date	
Invoice No.		Customer Contact No.	
Distributor Stamp		Distributor Contact No.	

Hansgrohe warrants that from the date of purchase (subject to the date of the purchase receipt), we will provide you with free warranty service: three years for the whole product, and 2-year extended warranty after successfully registering on the Hansgrohe official Wechat service account. This warranty only applies to the ceramic product purchased and installed in the Chinese Mainland.

If a defect is found in normal residential use, Hansgrohe will, at its election, repair, replace or make appropriate adjustment where Hansgrohe inspection discloses any such defects occurring in normal usage during warranty period after date of purchase. Hansgrohe is not responsible for labor charges, removal or installation, or others incidental Or consequential costs other than those noted above.

If the product is used commercially, Hansgrohe warrants that the product will be free from defects in materials and workmanships for 1 year from the date of purchase, with all Other terms of this warranty applying except duration.

IMPLIED WARRANTIES INCLUDING THAT OF MERCHANTABILITY AND FITNESS FOR A PARTICULAR PURPOSE ARE EXPRESSLY LIMITED IN DURATION TO THE DURATION OF THIS WARRANTY. HANSGROHE AND/OR SELLER DISCLAIMS ANY LIABILITY FOR SPECIAL, INCIDENTAL OR CONSEQUENTIAL DAMAGES.

This warranty gives you specific legal rights. You may also have other rights. The warranty applies only to the original customer, excluded from all this will void the warranty whether the damage is caused by contractors, service companies or customers: it are misuse, incorrect installation and commissioning, normal wear, improper operation and maintenance, inappropriate tools and equipment; damage caused by chemical corrosion, Electrochemistry or electricity is not covered by this warranty neither.

This English expression is for reference only, if there is any ambiguity, the Chinese expression shall prevail.

**hansgrohe**