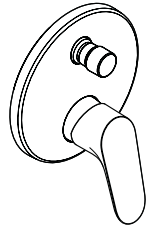
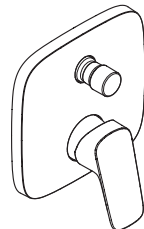


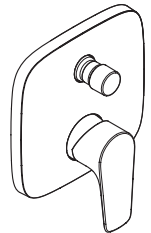
Focus
31945008



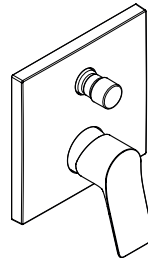
Logis E
71404008



Logis
71405008



Talis E
71745XX8



Vivenis
75415XX8



Safety Notes

- ⚠ Gloves should be worn during installation to prevent crushing and cutting injuries.
- ⚠ The product may only be used for bathing, hygienic and body cleaning purposes.
- ⚠ Children as well as adults with physical, mental and/or sensoric impairments must not use this product without proper supervision. Persons under the influence of alcohol or drugs are prohibited from using this product.
- ⚠ The hot and cold supplies must be of equal pressures.

Installation Instructions

- Prior to installation, inspect the product for transport damages. After it has been installed, no transport or surface damage will be honoured.
- The pipes and the fixture must be installed, flushed and tested as per the applicable standards.
- The plumbing codes applicable in the respective countries must be observed.

Technical Data

Operating pressure: max. 1 MPa
 Recommended operating pressure: 0,1 - 0,5 MPa
 Test pressure: 1,6 MPa
 (1 MPa = 10 bar = 147 PSI)

Hot water temperature: max. 60°C
 Thermal disinfection: 70°C / 4 min

The product is exclusively designed for drinking water!

Symbol description



Do not use silicone containing acetic acid!



Adjustment (see page 5)

To adjust the hot water limiter. Using a hot water limiter in combination with a continuous flow water heater is not recommended.



Dimensions (see page 6)



Flow diagram (see page 6)

free flow



Spare parts (see page 7)



Special accessories (see page 8)

order as an extra

- extension 25 mm #13595000
- Extension Set 22 mm (when wall is not deep enough) #13597000 / #13593XX0 / #15597XX0



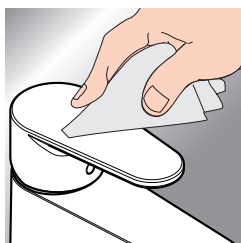
Cleaning (see page 2)



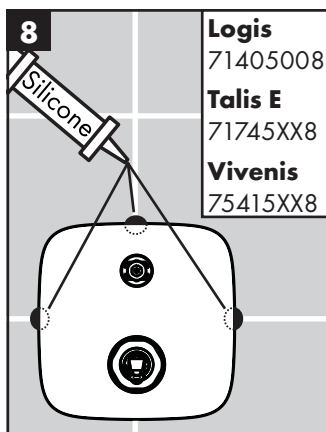
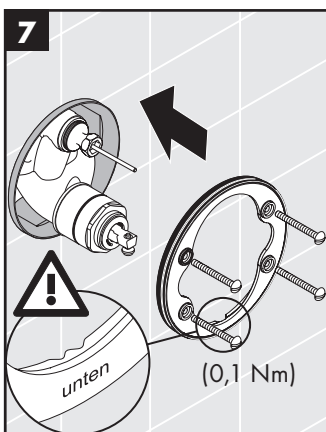
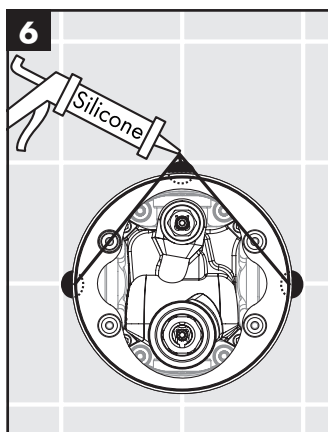
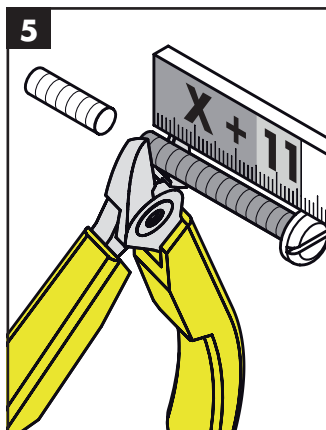
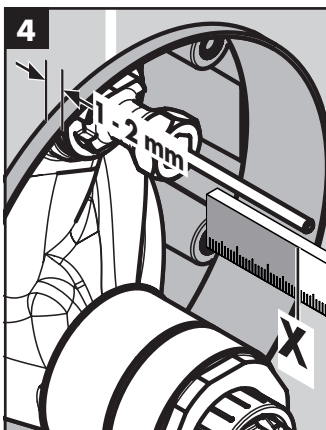
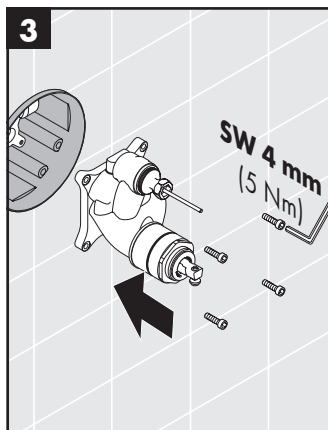
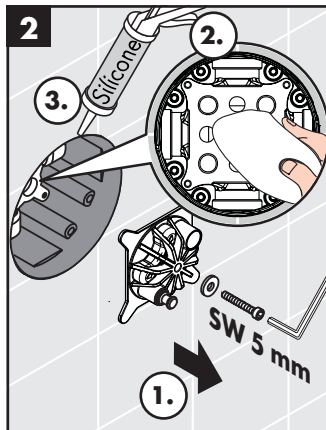
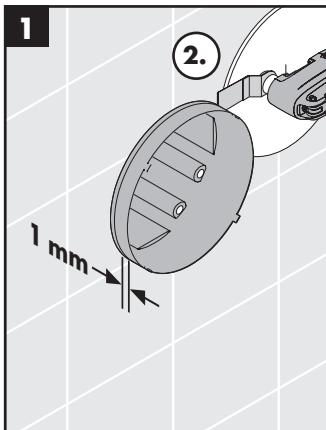
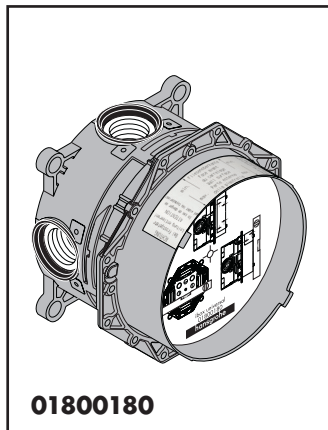
Operation (see page 6)

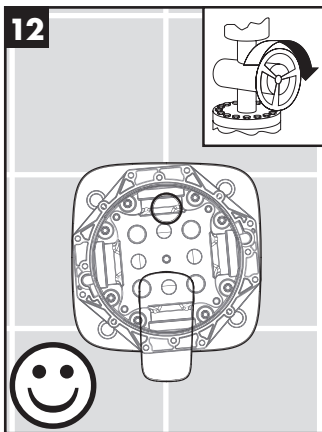
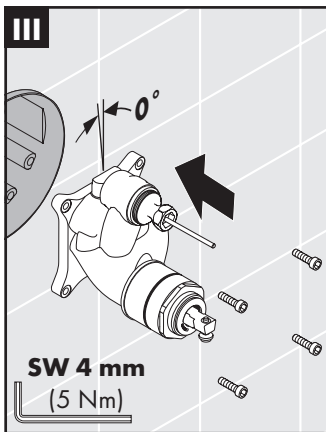
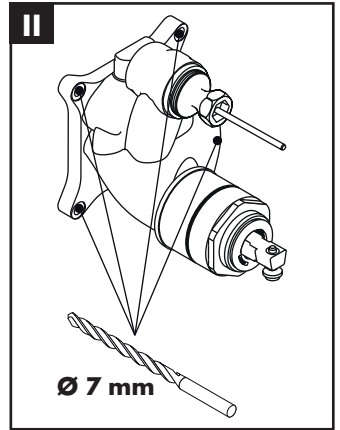
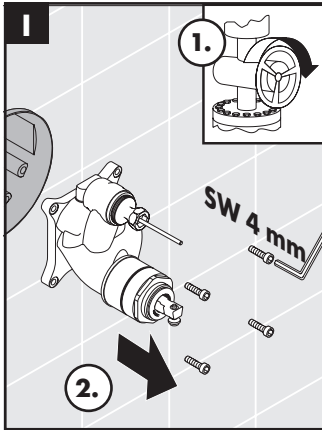
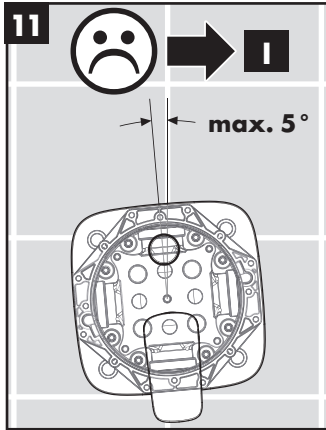
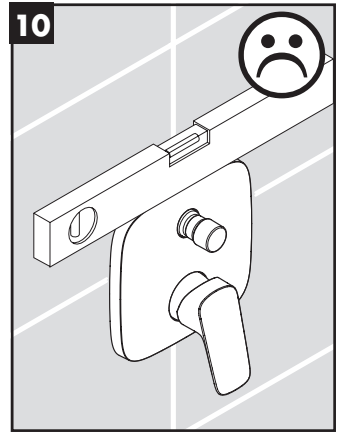
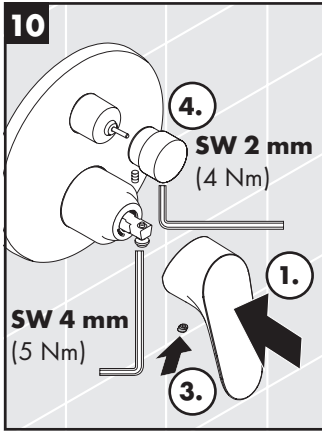
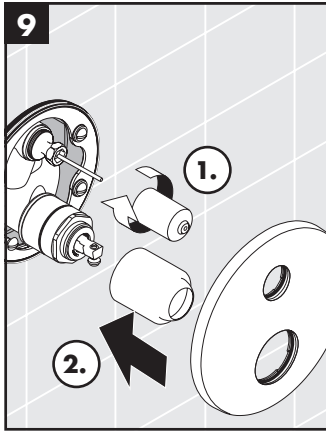
Fault	Cause	Remedy
Mixer stiff	- Cartridge defective, calcified	- Exchange cartridge
Mixer dripping	- Cartridge defective	- Exchange cartridge
Diverter not operating	- Residue	- Clean converter / grease O-rings
	- Water pressure too low	- Increase water pressure
	- Diverter defective	- Exchange diverter
Hot water temperature too low, no cold water. Instantaneous water heater starts up when cold water is selected.	- Hot water limiter incorrectly set	- Set hot water limiter
	- Crossflow	- Exchange cartridge

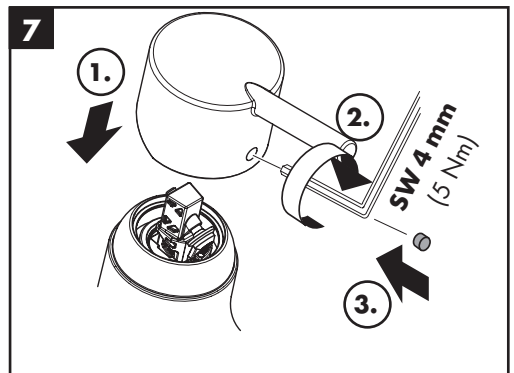
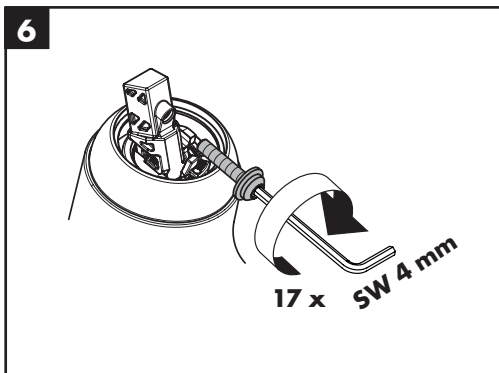
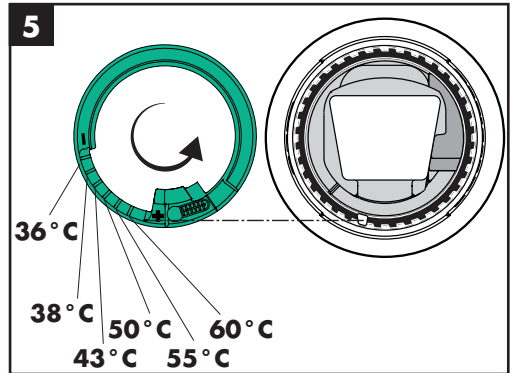
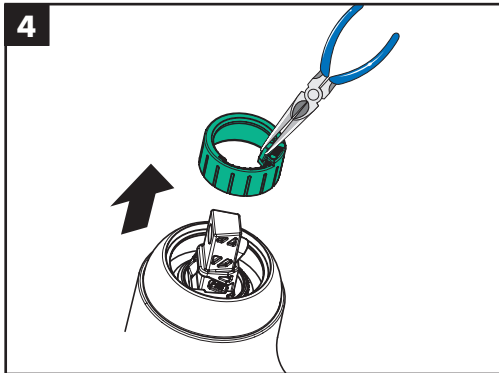
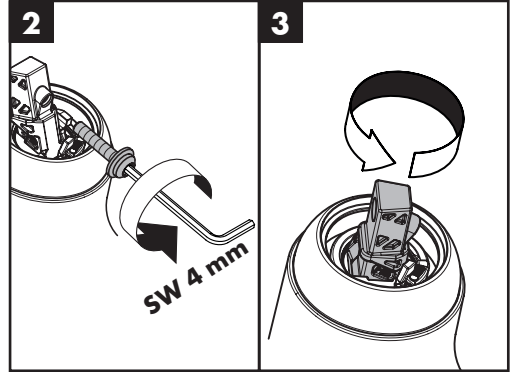
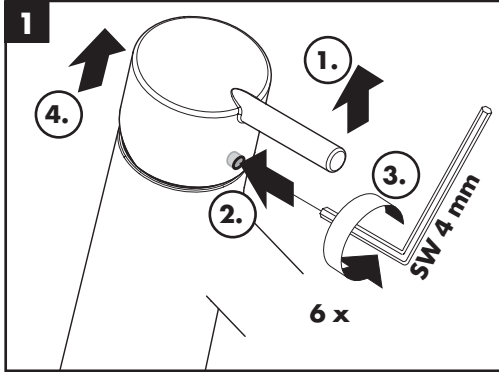
www.hansgrohe.com/cleaning-recommendation



EN Cleaning recommendation / Warranty / Contact

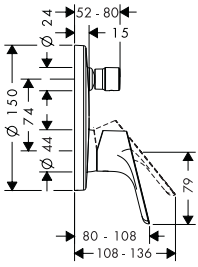




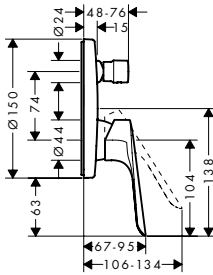




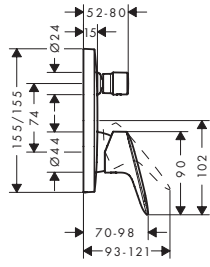
Focus
31945008



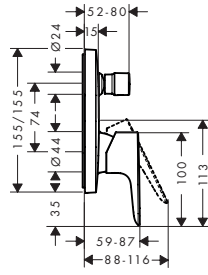
Logis E
71404008



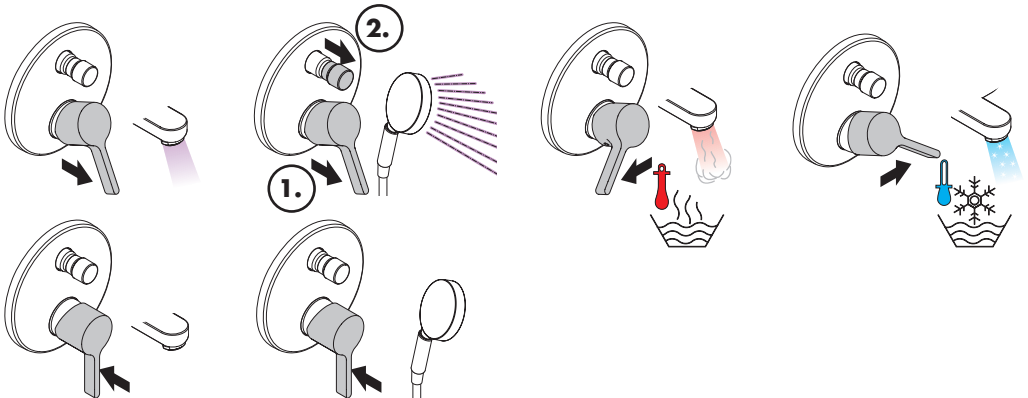
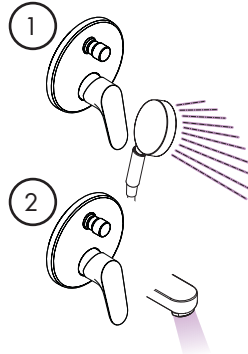
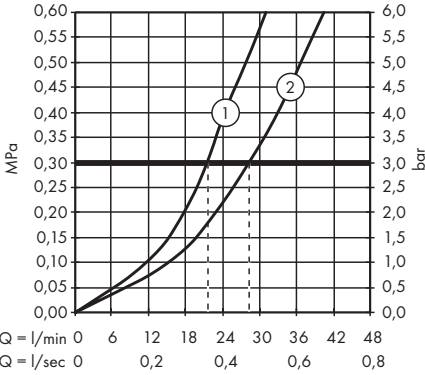
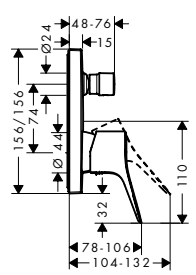
Logis
71405008



Talis E
71745XX8

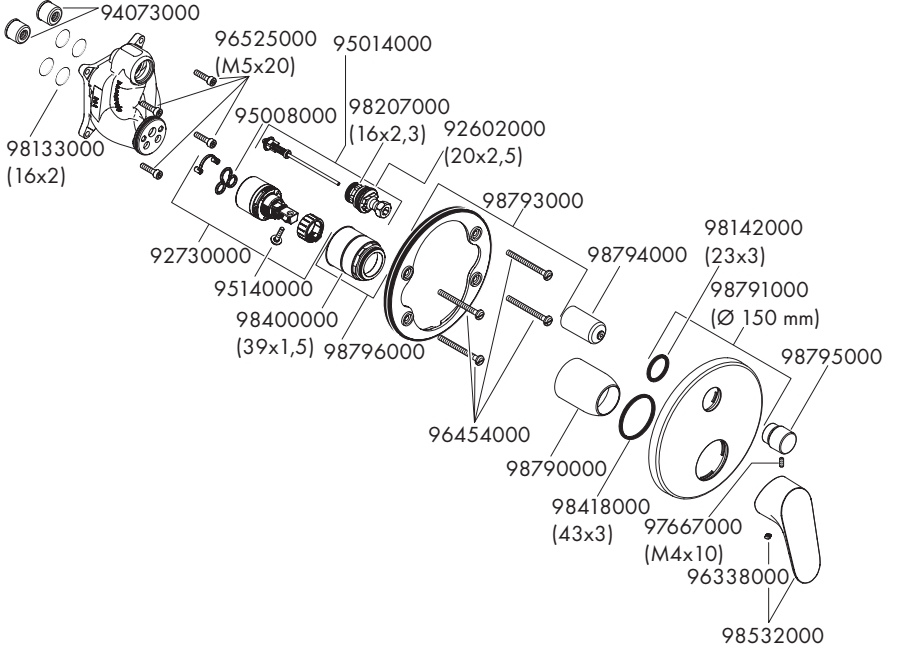


Vivenis
75415XX8





Focus
31945008



Logis E
71404008

