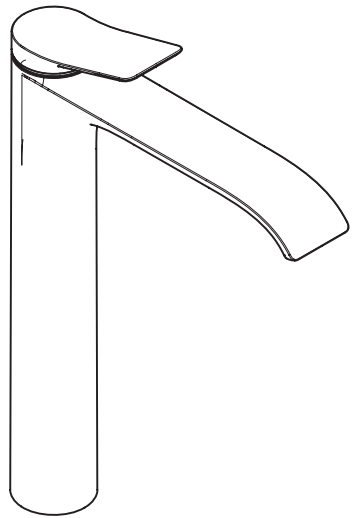


Vivenis 110
75020008



Vivenis 250
75040008



Safety Notes

- ⚠ Gloves should be worn during installation to prevent crushing and cutting injuries.
- ⚠ The product may only be used for bathing, hygienic and body cleaning purposes.
- ⚠ The hot and cold supplies must be of equal pressures.

Installation Instructions

- Prior to installation, inspect the product for transport damages. After it has been installed, no transport or surface damage will be honoured.
- The pipes and the fixture must be installed, flushed and tested as per the applicable standards.
- The plumbing codes applicable in the respective countries must be observed.
- The drain valve must only be used as intended. It is not allowed to attach other objects to the drain valve, for example a semi-pedestal.

Technical Data

Operating pressure:	max. 1 MPa
Recommended operating pressure:	0,1 - 0,5 MPa
Test pressure:	1,6 MPa
	(1 MPa = 10 bar = 147 PSI)

Hot water temperature: max. 60 °C

Thermal disinfection: 70 °C / 4 min

The product is exclusively designed for drinking water!

Symbol description



Do not use silicone containing acetic acid!



Adjustment (see page 5)

To adjust the hot water limiter. Using a hot water limiter in combination with a continuous flow water heater is not recommended.



Dimensions (see page 6)



Flow diagram (see page 6)



Spare parts (see page 7)

Special accessories (order as an extra)



- special tool #58085000 (see page 3)



- Installation putty (see page 4)

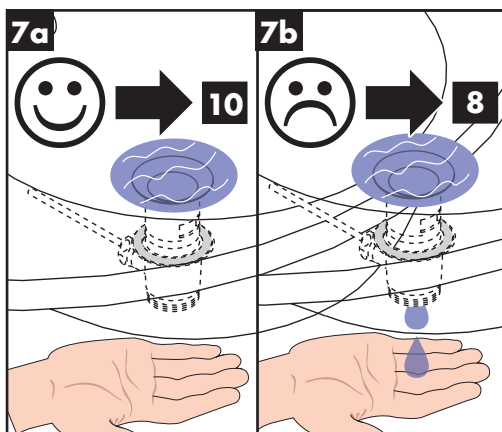
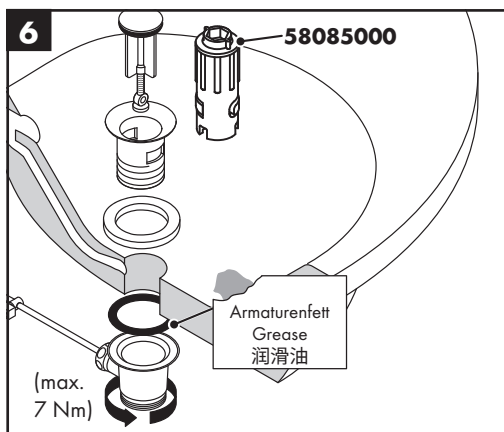
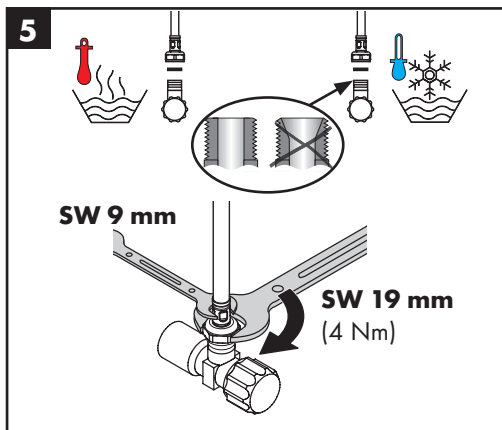
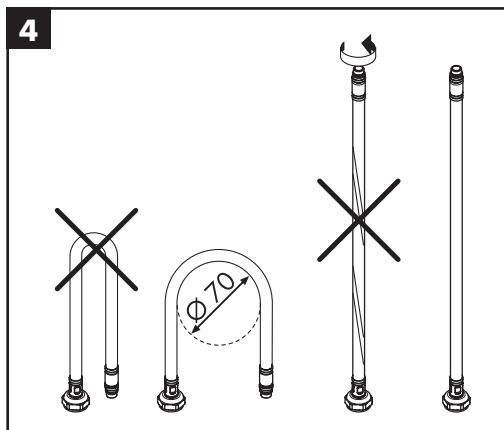
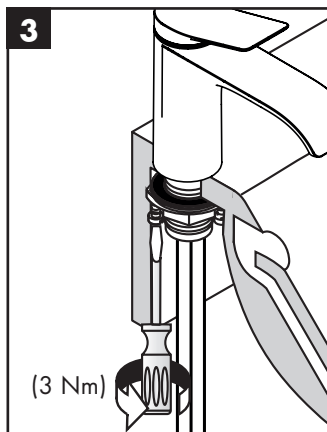
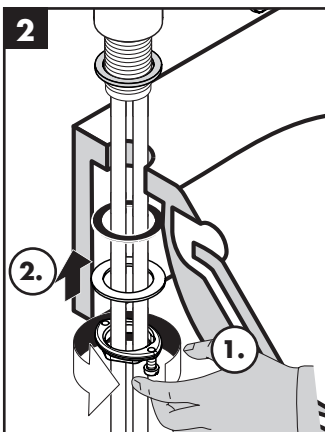
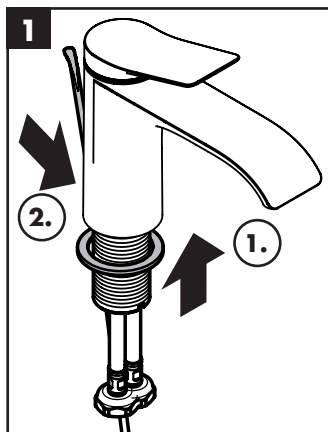


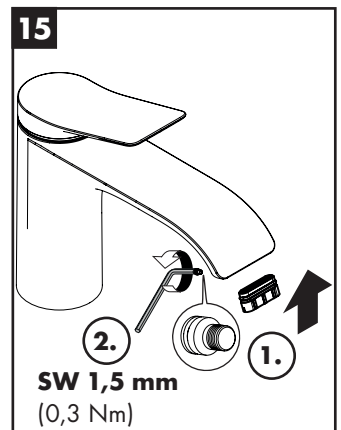
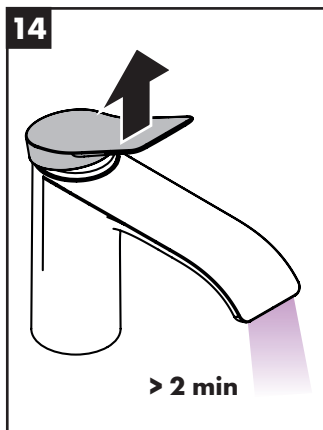
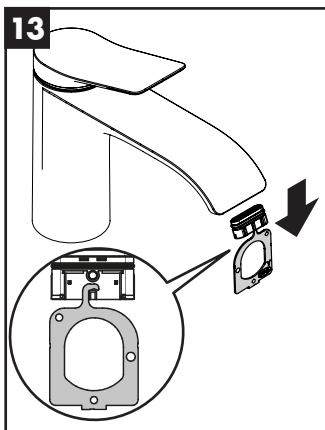
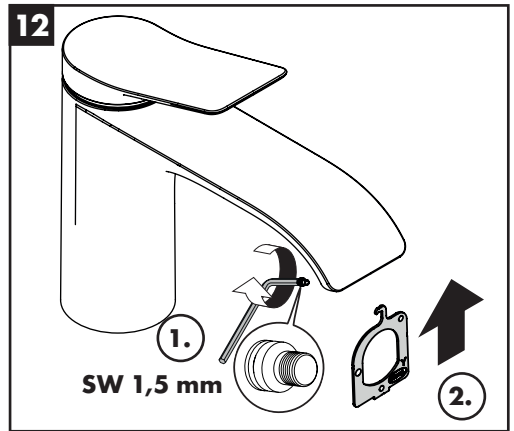
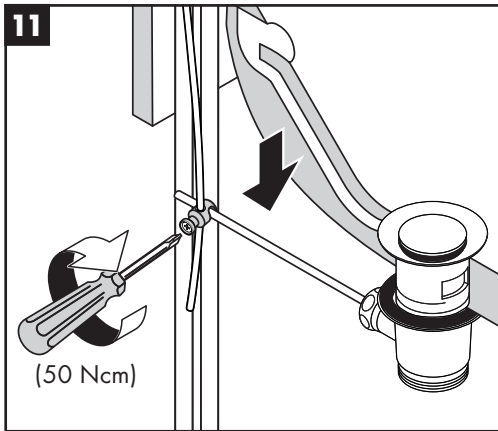
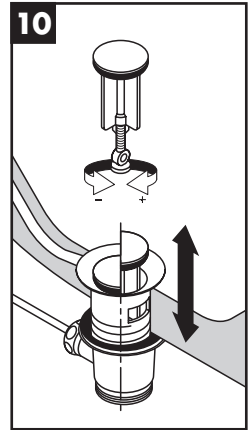
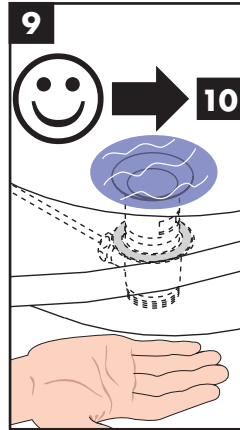
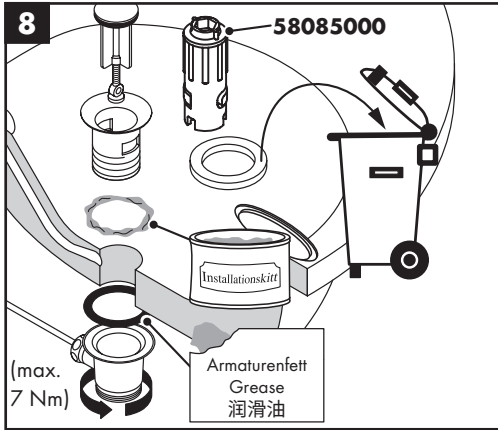
Cleaning (see page 8)



Operation (see page 8)

- Hansgrohe recommends not to use as drinking water the first half liter of water drawn in the morning or after a prolonged period of non-use.
- After periods of prolonged non-use, but at least every third day, the fittings must be opened with the handle in hot and cold position to prevent stagnation in the connecting lines. Let the water run until the water temperature is constant.







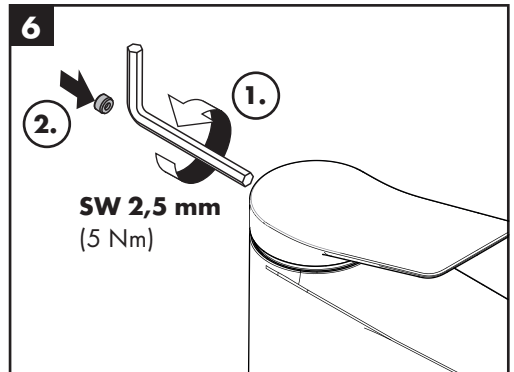
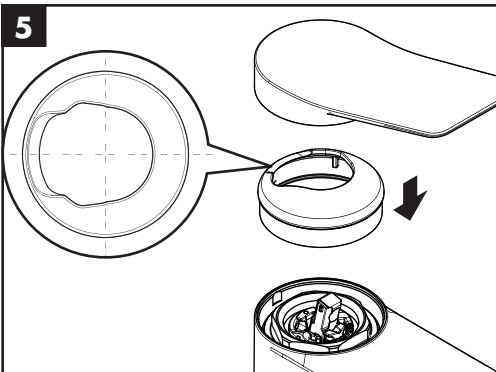
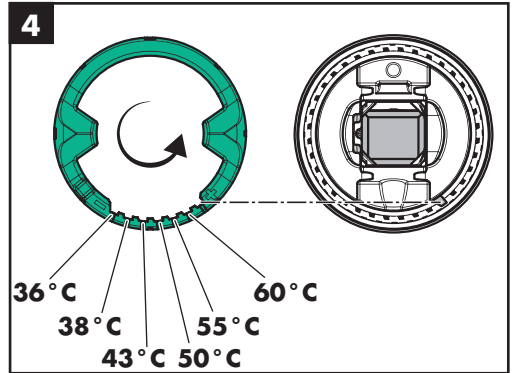
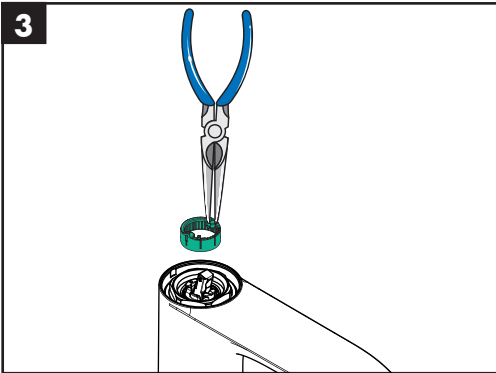
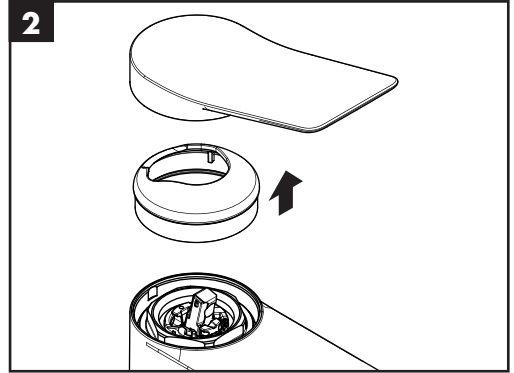
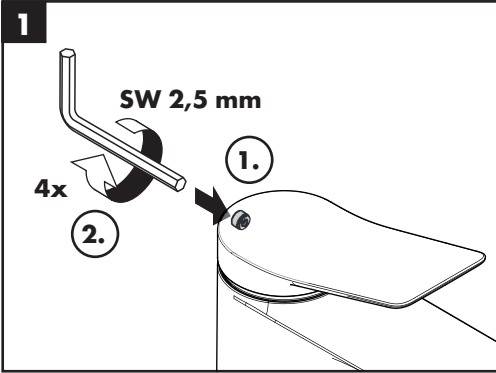
60 °C



10 °C

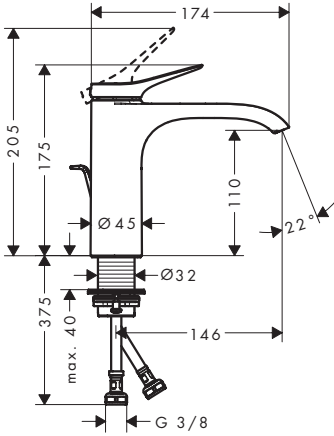


0,3 MPa

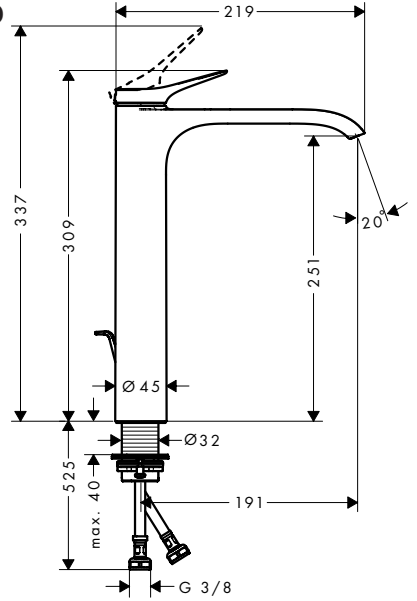




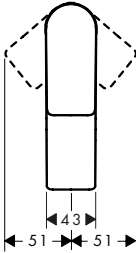
Vivenis 110
75020008



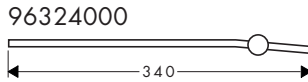
Vivenis 250
75040008



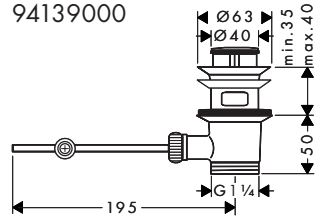
Vivenis 110
75020008



Vivenis 250
75040008

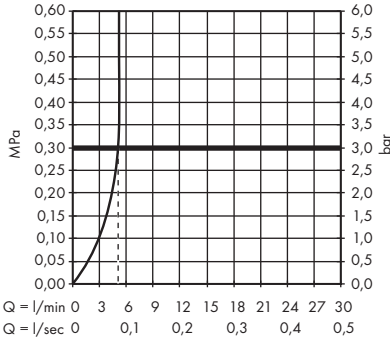


94139000



Vivenis 110
75020008

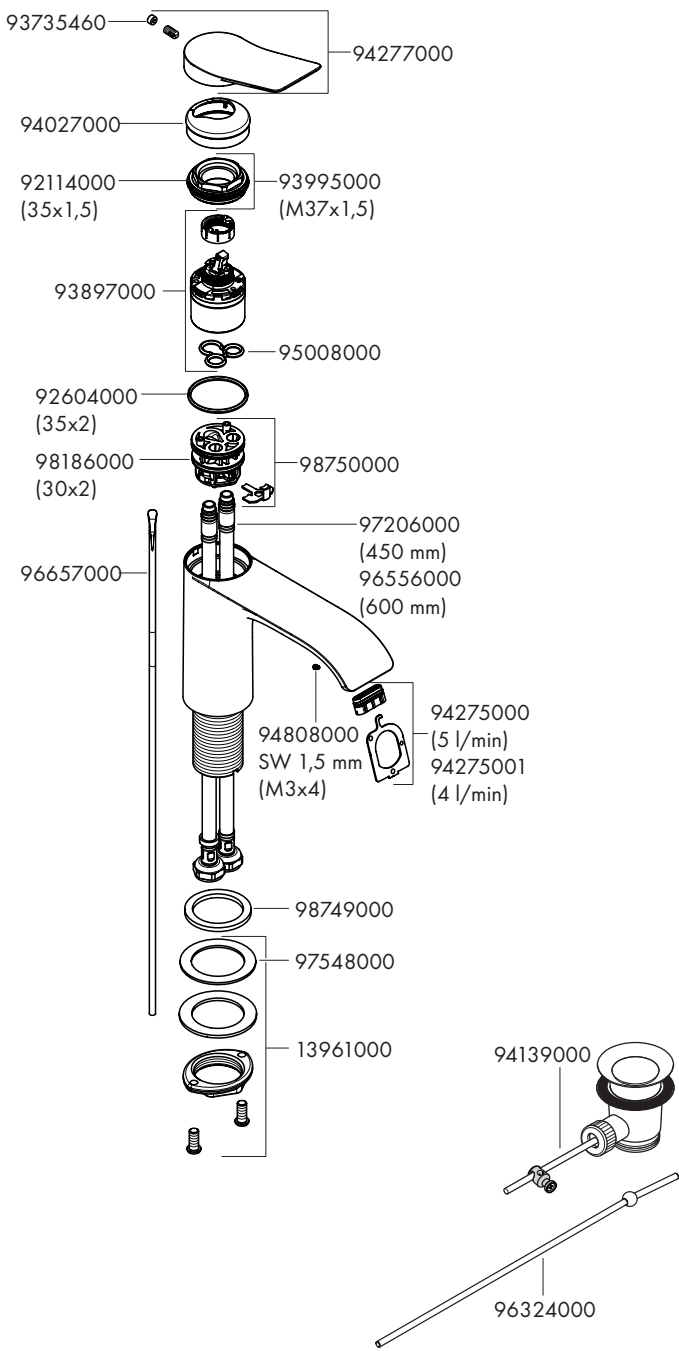
Vivenis 250
75040008





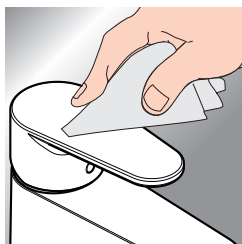
Vivenis 110
75020008

Vivenis 250
75040008





www.hansgrohe.com/cleaning-recommendation



EN Cleaning recommendation / Warranty / Contact

