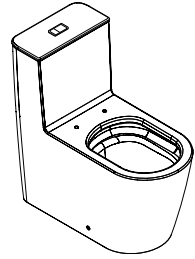


**ZH** 组装说明

**EN** Assembly instructions

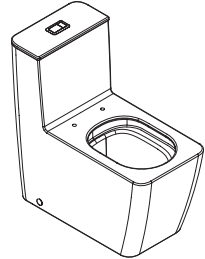


**MitaPura S 305**

22431007

**MitaPura S 400**

22432007

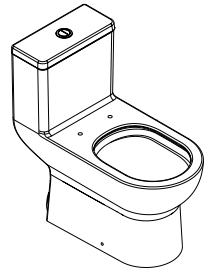


**MitaPura Q 305**

22434007

**MitaPura Q 400**

22435007



**MitaPura Original S 305**

22466007

**MitaPura Original S 400**

22467007

## BEFORE YOU BEGIN

## 安装之前

Please read these instructions carefully to familiarize yourself with the required tools, materials, and installation sequences. Follow the sections that pertain to your particular installation. This will help you avoid costly mistakes. In addition to proper installation, read all operating and safety instructions.

All information in these instructions is based upon the latest product information available at the time of publication. Hansgrohe reserves the right to make changes in product characteristics, packaging, or availability at any time without notice.

These instructions contain important care, cleaning, and warranty information - please leave instructions for the consumer.

请小心详阅本指引。以便熟悉所需工具、材料及安装程序。请遵照适用的章节来安装你的坐便器，以避免由于安装不当而导致不必要的损失。除了有关正确的安装方法之外，还务请详阅所有操作及安全指引。

本指引所载之一切资料，均以印刷时所有之最新产品情况为基础，我司保留权利随时更改产品特性、包装或供应情况，恕不另行通知。

本指引也包含了有关护理、清洁及保养等重要资料 - 请交予用户保存。

### ORDERING INFORMATION

#### MitaPura S

22431007 / 22432007 / 22433007

MitaPura S Floorstanding WC one piece with vertical outlet 305 rimless-----

MitaPura S WC seat and cover sandwich and removable with soft-close-----

MitaPura S Floorstanding WC one piece with vertical outlet 400 rimless-----

MitaPura S WC seat and cover sandwich and removable with soft-close-----

#### MitaPura Q

22434007 / 22435007 / 22436007

MitaPura Q Floorstanding WC one piece with vertical outlet 305 rimless-----

MitaPura Q WC seat and cover sandwich and removable with soft-close-----

MitaPura Q Floorstanding WC one piece with vertical outlet 400 rimless-----

MitaPura Q WC seat and cover sandwich and removable with soft-close-----

#### MitaPura Original S

22466007 / 22467007

MitaPura S Floorstanding WC one piece with vertical outlet 305 rimless-----

MitaPura S WC seat and cover sandwich and removable with soft-close-----

MitaPura S Floorstanding WC one piece with vertical outlet 400 rimless-----

MitaPura S WC seat and cover sandwich and removable with soft-close-----

### 订购信息

#### MitaPura S

22431007 / 22432007 / 22433007

谧境S连体坐便器(305mm坑距);

配MitaPura S 加长型明式坐便器缓降盖板;

谧境S连体坐便器(400mm坑距);

配MitaPura S 加长型明式坐便器缓降盖板;

#### MitaPura Q

22434007 / 22435007 / 22436007

谧境Q连体坐便器(305mm坑距);

配MitaPura Q 加长型明式坐便器缓降盖板;

谧境Q连体坐便器(400mm坑距);

配MitaPura Q 加长型明式坐便器缓降盖板;

#### MitaPura Original S

22466007 / 22467007

谧境S连体坐便器(305mm坑距);

配加长型暗式坐便器缓降盖板;

谧境S连体坐便器(400mm坑距);

配加长型暗式坐便器缓降盖板;

#### MitaPura S

22431007 / 22432007

用水量说明:

小档3.0L,大档4.5L,平均用水量3.5L 为产品名义用水量,计算方法依GB/T 6952-2015 6.2.1项,两次小档加一次大档用水量总和除以3。

Water Consumption:

Small flushing: 3.0L, Big flushing: 4.5L, The nominal water consumption is 3.5L, the formula is based on the section 6.2.1. of GB6952-2015, it is calculated by the sum of water consumption of 2 small flushing and 1 big flush divided by 3.

## MitaPura Q

22434007 / 22435007

用水量说明:

小档4.0L, 大档6.0L, 平均用水量4.7L 为产品名义用水量, 计算方法依 GB/T 6952-2015 6.2.1项, 两次小档加一次大档用水量总和除以3.

Water Consumption:

Small flushing: 4.0L, Big flushing: 6.0L, The nominal water consumption is 4.7L, the formula is based on the section 6.2.1. of GB6952-2015, it is calculated by the sum of water consumption of 2 small flushing and 1 big flush divided by 3.

## MitaPura Original S

22466007 / 22467007

用水量说明:

小档3.5L, 大档5.0L, 平均用水量4.0L 为产品名义用水量, 计算方法依 GB/T 6952-2015 6.2.1项, 两次小档加一次大档用水量总和除以3.

Water Consumption:

Small flushing: 3.5L, Big flushing: 5.0L, The nominal water consumption is 4.0L, the formula is based on the section 6.2.1. of GB6952-2015, it is calculated by the sum of water consumption of 2 small flushing and 1 big flush divided by 3.

### DIMENSION

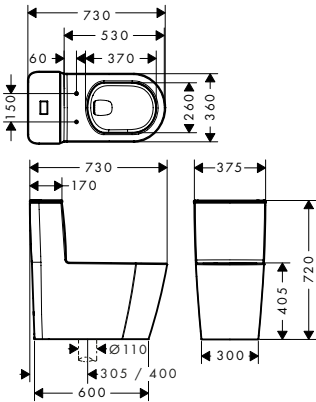
### 尺寸

#### MitaPura S 305

22431007

#### MitaPura S 400

22432007

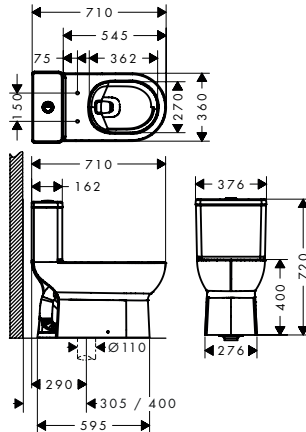


#### MitaPura Original S 305

22466007

#### MitaPura Original S 400

22467007

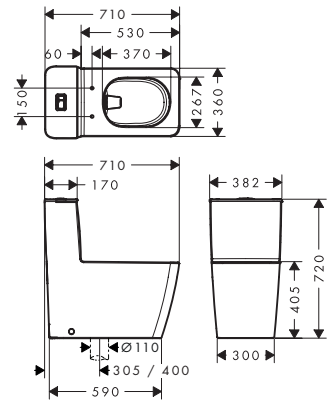


#### MitaPura Q 305

22434007

#### MitaPura Q 400

22435007



The size is for reference only, please check the actual size before installation.  
此尺寸仅供参考, 安装前请仔细测量实际产品。

## TOOLS AND MATERIALS REQUIRED (Not supplied)

- Metal file (file cut)
- Tape measure
- Tubing cutter
- Level
- Hacksaw
- Putty knife
- Screwdriver

## 所需工具及材料 (不随货供应)

- 锉刀
- 卷尺
- 切管刀
- 水平尺
- 钢锯
- 涂油灰刀
- 螺丝刀

NOTICE: If the existing toilet does not have a supply shut-off valve below the tank, install one before installing the new toilet.

注意: 如果现有坐便器的水箱下方没有角阀, 须在安装新坐便器前装设角阀。

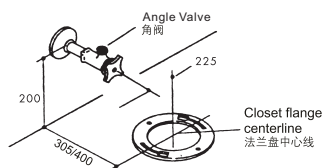
## INSTALLATION

## 安装说明

1. The center of supply valve keeps a distance of 200mm from the floor; Above the finished floor line, and 225mm to the Left of the closet flange centerline;

角阀中心距地200mm左右, 水平方向向上, 在左边, 离法兰中心线225mm左右。

注: 安装角阀之前务必试水, 已确保管道的畅通。



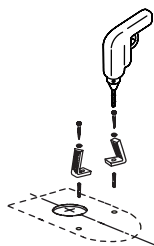
3. Before your install

Use a pencil to trace out the position of the installation hole.

Drill holes.

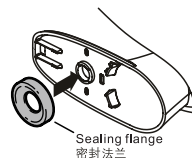
安装之前

将坐便器的排污孔对准地面的排污孔, 调整好坐便器的位置, 用铅笔在安装孔的地方做上标记, 移开马桶, 根据标记钻孔。



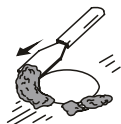
4. Install the sealing flange.

将法兰套在缸体底部。



2. If replacing a toilet, remove the old sealing flange.

如需拆除现有坐便器, 请先刮除旧的蜡环。



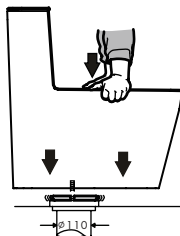
5. Apply weight evenly.

Do not move after placement!  
Sealing flange may be broken!

均匀的将坐便器下压。

放置后请勿移动!

否则会破坏防水层!



NOTE: Do not lift or rock the toilet when toilet is placed in position, otherwise, it lead to leakage due to flange wearing. Sealing flange must be replaced if it is damaged.

注意: 坐便器放好后, 不可再提起晃动, 否则会损坏密封圈的防水效果, 造成漏水。

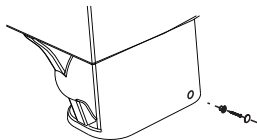
如果密封法兰损坏, 必须更换。



#### 6. Install the Toilet

Install the bolts into the bracket and tighten evenly.  
Do not overtighten!

如图所示，使用螺栓、垫圈和螺母将坐便器固定到地面上。  
不要拧的太紧



#### 7. Connect supply and turn on the water.

连接供水管，打开水源。



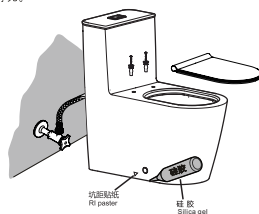
#### 8. Flush several times and check for leaks.

冲水数次，检查进水管是否漏水。



#### 9. Install the seat. Use the supplied seat bolts and washers. Periodically check for leaks for several days following the installation.

安装盖板。使用附带的盖板螺栓和垫圈。安装后定期检查漏水情况。



## IMPORTANT CONSUMER INFORMATION

## 用户须知

### CONSUMER RESPONSIBILITIES

If you live in a hard water area, make certain that the holes in the toilet rim are kept clean to ensure proper bowl flushing. Toilet bowl cleaners should be used at least once a week. Use a long-handled brush to clean the rim holes, and to clean as far into the trap as possible to prevent mineral deposits from forming.

Most toilet bowl cleaners are not harmful to the vitreous china surface of the toilet bowl. Please follow the bowl cleaner manufacturer's instructions carefully.

Do not use abrasive cleaners or solvents.



**WARNING:** Risk of property or product damage. Do not use in-tank cleaners. Products containing chlorine (calcium hypochlorite) can seriously damage fittings in the tank. This damage can cause leakage and property damage.

Hansgrohe shall not be responsible or liable for any damage to these tank fittings caused by the use of cleaners containing chlorine (calcium hypochlorite).



**CAUTION:** Don't use any cement while installing the toilet. Heat expansion of the toilet may damage the feet of the toilet. Hansgrohe will not be responsible for any damage because of using cement.



### Precautions for use (Attentions)

- 1, Please don't rush the toilet with newspapers, paper diapers, sanitary napkins and other items easy to plug.
- 2, Please don't strike the ceramics to prevent damage to water leakage.
- 3, Please don't use it below 0°C

### 用户责任

如果你居住地方的水质是硬性，你必须保持冲水孔清洁，令坐便器冲水正常。每星期应最少使用坐便器清洁剂清洁一次，用长把手的刷子清洁冲水孔，并尽量伸入排污管洗刷，防止矿物质积聚。

大多数马桶清洁剂对坐便器表面是无害的。请认真遵循马桶清洁剂制造商的指示来操作。

请勿使用腐蚀性清洁剂或溶剂。



**警告：**提防楼宇受损或损坏产品。请勿使用水箱内用清洁剂。含氯（次氯酸钙）的清洁剂会严重破坏水箱配件，从而引起渗漏，或对楼宇结构造成损坏。

我司对此类因使用氯（次氯酸钙）而引致的水箱装置损毁，概不负责。

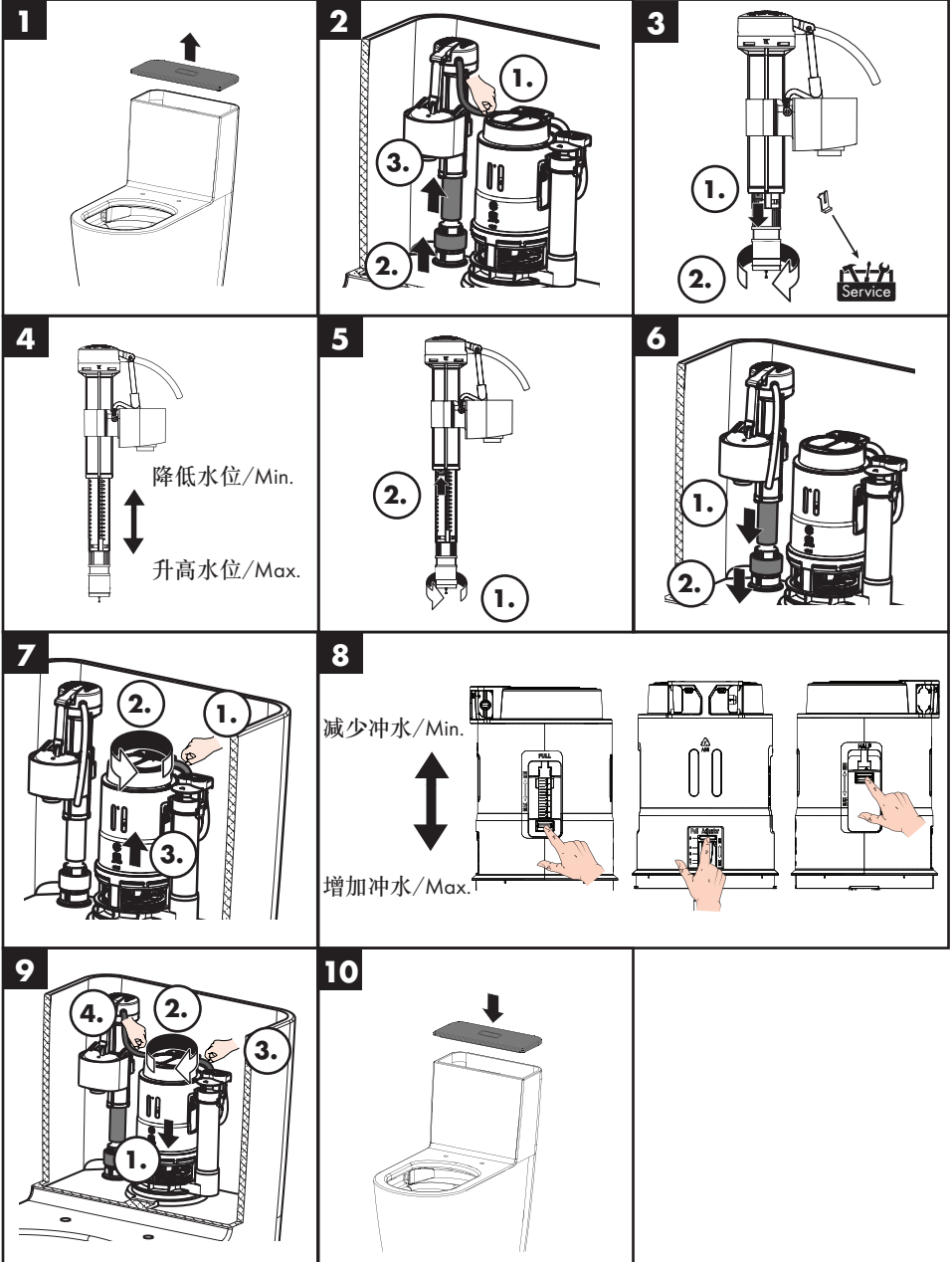


**警告：**在安装坐便器时切勿使用任何水泥。因为水泥的热膨胀可能使坐便器的脚部挤破或损坏。我司对所有因为水泥安装而引起坐便器破裂恕不负责。



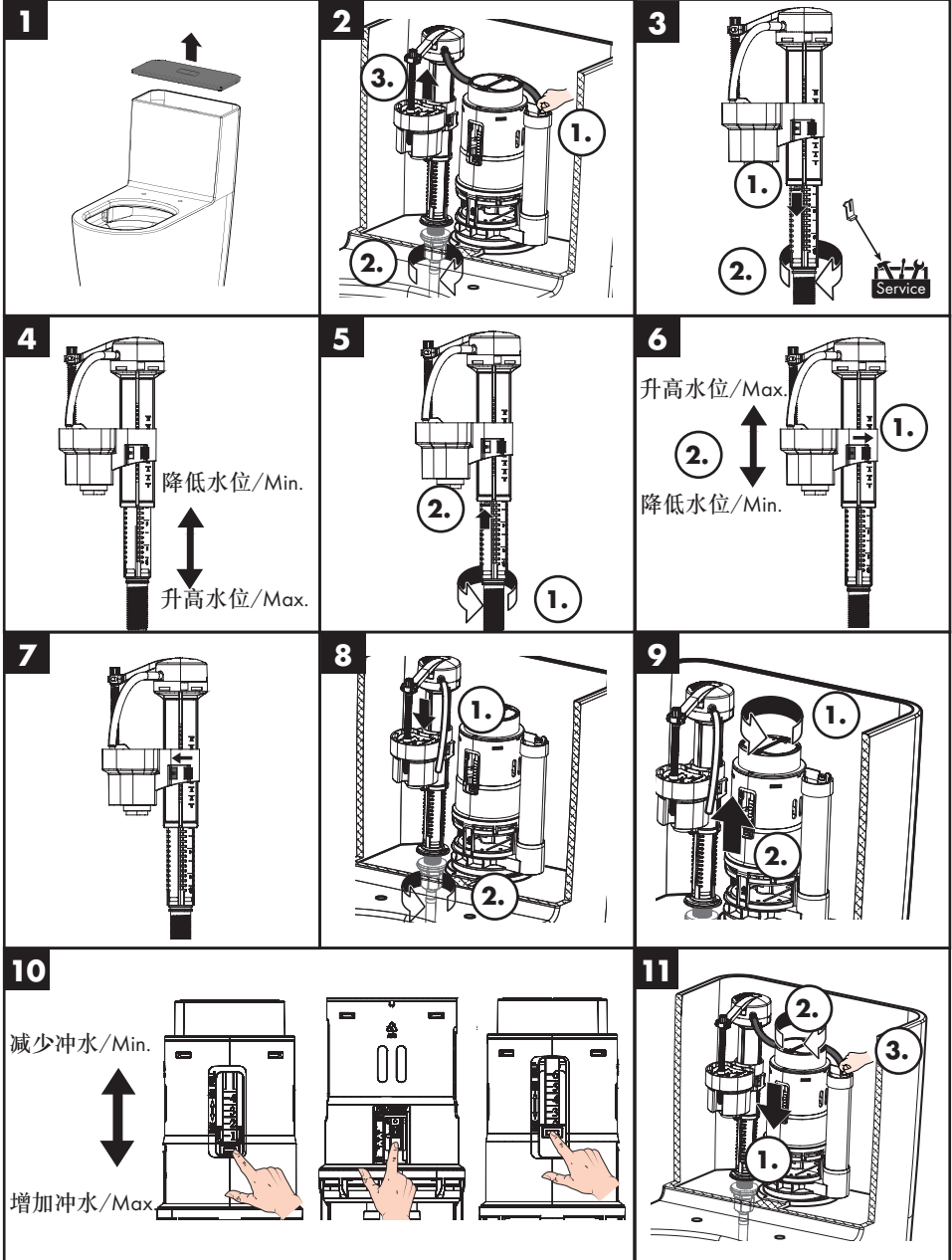
### 使用注意事项

- 1, 请不要向便器内冲入新闻纸、纸尿裤、妇用卫生巾等容易堵塞的物品。
- 2, 请不要用重力撞击陶瓷，以防止破损漏水。
- 3, 不要在0°C以下环境中使用。



ADJUSTMENT

水件调整 MitaPura Original S



# MitaPura 谧境

SERVICE PARTS PAGE

维修零件图

1PC TOILET

连体坐便器

S-TRAP 305mm 22431007

S-TRAP 400mm 22432007

Q-TRAP 305mm 22434007

Q-TRAP 400mm 22435007

94596000 (MitaPura S)

87565000 (MitaPura Q)

Flush button

冲洗按钮

94594000

Tank cover

水箱盖

94590000

Fill valve

进水阀

94591000

Flush valve

排水阀

94595000

Flexible hose

软管

13903007

Angle valve

三角阀

94597000

Seat and cover

mounting material

坐圈和盖板

94598000

Floor mounting material

地脚螺栓组件

94599000

Sealing flange

法兰圈

22433007

Seat and cover

坐圈和盖板

22436007

Seat and cover

坐圈和盖板

Please refer to service parts page packed with seat for detailed seat service parts.

盖板的维修零件请详见盖板的维修零件图。

# MitaPura 谧境

SERVICE PARTS PAGE

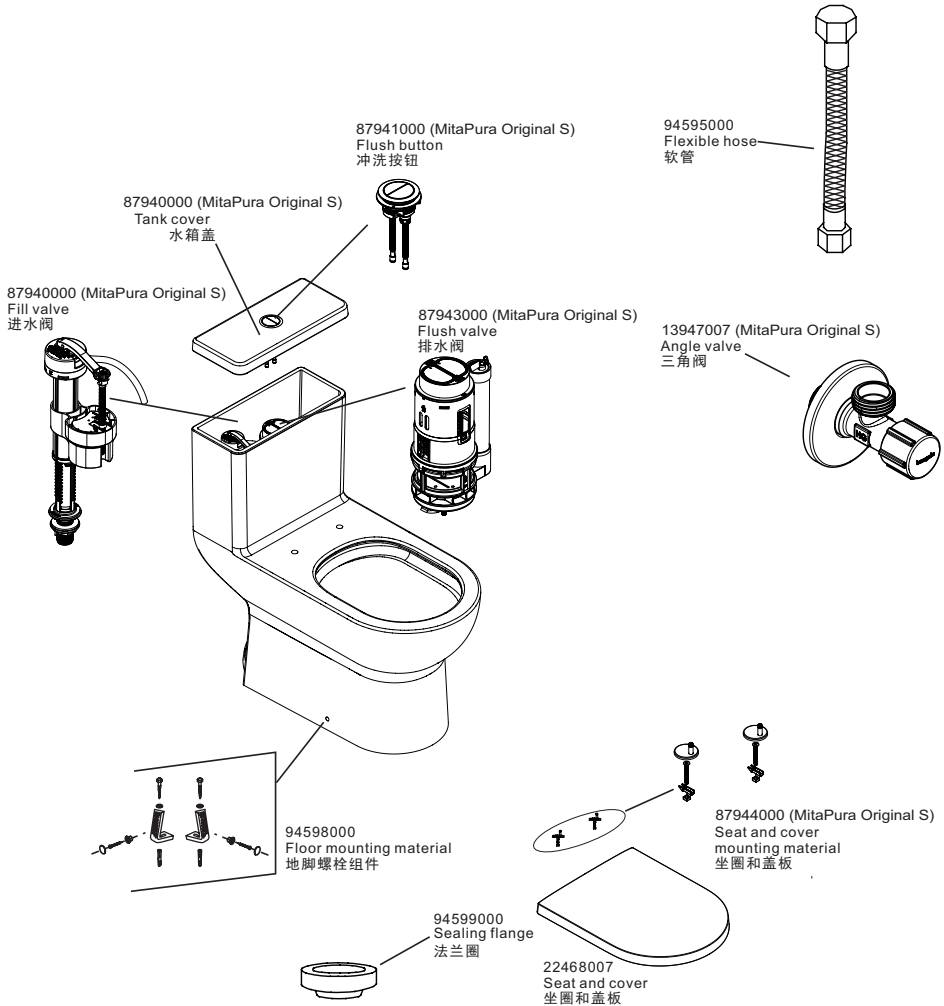
维修零件图

1PC TOILET

连体坐便器

S-TRAP 305mm 22466007

S-TRAP 400mm 22467007



Please refer to service parts page packed with seat for detailed seat service parts.

盖板的维修零件请详见盖板的维修零件图。

## 产品保修卡

产品型号		客户姓名	
销售单位		购买日期	
发票号码		客户电话	
经销商盖章		经销商电话	

汉斯格雅保证，该产品从购买之日起3年内（在平台注册后顾客可以享受2年延保），在正常住宅使用过程中，在材料和工艺上不存在缺陷。本保证只适用于在中国大陆地区购买和安装的产品。

如果在正常住宅使用中发现缺陷，在购买之日起质保期内发现任何正常使用中出现的缺陷，汉斯格雅会选择维修、更换或适当调整。除上述涉及维修、更换或调整的费用外，汉斯格雅不负责其它人工费、搬迁或安装，或其他附带或后续费用。

如果产品用于商业用途，汉斯格雅保证产品在自购买之日起的1年内无材料和工艺缺陷，除期限外适用本保证的所有其他条款。

以下条款适用于所有产品：

默示保证，包括适销性和适用于特定用途的保证，在期限上明确限于本保证的期限。汉斯格雅和/或卖方不承担任何特殊、附带或后续损害赔偿赔偿责任。

本保证赋予您特定的法律权利。您可能也有其他权利。本保修仅适用于原购买方，不包括无论是由承包商、服务公司还是消费者制造：因产品使用不当或不按规定使用产品；产品安装、调试不正确；产品的正常磨损；操作不当；产品保养不善；使用不适合产品的工具和设备；化学腐蚀、电化学或电因素等原因造成的产品损坏。

本英文表述仅供参考，若有任何歧义，以中文表述为准。

## Warranty Card

Model No.		Customer Name	
Seller		Purchasing Date	
Invoice No.		Customer Contact No.	
Distributor Stamp		Distributor Contact No.	

Hansgrohe warrants this ceramic product to be free of defects in material and workmanship. During normal residential use for 3 years from date of purchase (Customers can enjoy 2-year extended warranty after registering on Hansgrohe official Wechat service account). This warranty only applies to the ceramic product purchased and installed in Mainland China.

If a defect is found in normal residential use, Hansgrohe will, at its election, repair, replace or make appropriate adjustment where Hansgrohe inspection discloses any such defects occurring in normal usage during warranty period after date of purchase. Hansgrohe is not responsible for labor charges, removal or installation, or others incidental Or consequential costs other than those noted above.

If the product is used commercially, Hansgrohe warrants that the product will be free from defects in materials and workmanships for 1 year from the date of purchase, with all Other terms of this warranty applying except duration.

IMPLIED WARRANTIES INCLUDING THAT OF MERCHANTABILITY AND FITNESS FOR A PARTICULAR PURPOSE ARE EXPRESSLY LIMITED IN DURATION TO THE DURATION OF THIS WARRANTY. HANSGROHE AND/OR SELLER DISCLAIMS ANY LIABILITY FOR SPECIAL, INCIDENTAL OR CONSEQUENTIAL DAMAGES.

This warranty gives you specific legal rights. You may also have other rights. The warranty applies only to the original customer, excluded from all this will void the warranty whether the damage is caused by contractors, service companies or customers: it are misuse, incorrect installation and commissioning, normal wear, improper operation and maintenance, inappropriate tools and equipment; damage caused by chemical corrosion, Electrochemistry or electricity is not covered by this warranty neither.

This English expression is for reference only, if there is any ambiguity, the Chinese expression shall prevail.



---

**hansgrohe**

Hansgrohe · AuestraÙe 5 · 9 · D-77761 Schiltach · Telefon +49 (0) 78 36/51-1282 · Telefax +49 (0) 7836/511440  
E-Mail: [info@hansgrohe.com](mailto:info@hansgrohe.com) · Internet: [www.hansgrohe.com](http://www.hansgrohe.com)

06/2024  
9.08930.53