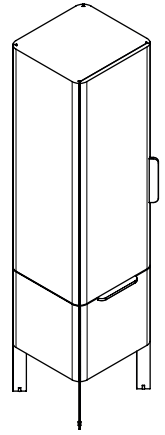


ZH 用户手册 / 组装说明

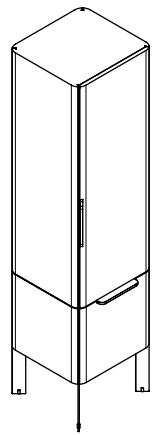
2

EN Instructions for use / Assembly instructions

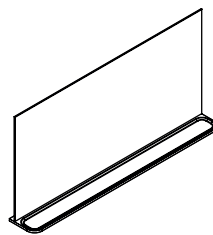
2



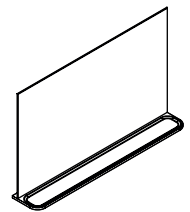
MoonWake 40 x 38 cm
54108467



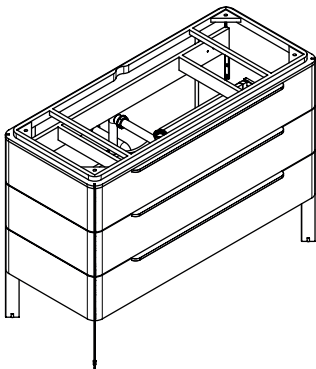
MoonWake 40 x 38 cm
54107467



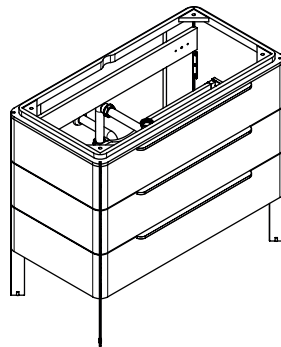
MoonWake 100 x 13,5 cm
54106467



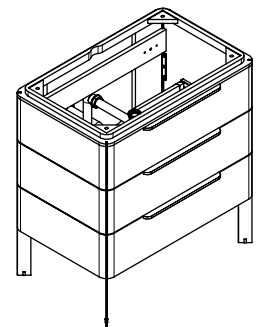
MoonWake 80 x 13,5 cm
54105467



MoonWake 120 x 50 cm
54102467



MoonWake 100 x 50 cm
54101467



MoonWake 80 x 50 cm
54100467



安全技巧

符合规定的使用

- △ 54105467, 54106467: 总电源供应通过一个220V/N/PE/50HZ的交流电源接口实现。
- △ 其它或者超出此范围的使用方式均视为不符合规定。注意使用说明/安装说明以及遵照清洁和维修描述也属于按规定使用范围。

54105467, 54106467 电气安装

电气安装人员

- △ 由获得许可的电气专业人员按照 DIN VDE 0100 第701部分 / IEC 60364-7-701 规定, 实施安装和检查工作。

电气连接

- △ 供电: 220V/N/PE/50Hz

缺陷电流保护装置

- △ 必须通过一个故障电流保护装置 (RCD / FI) 进行保险, 设计电流差 ≤ 30 mA。
- △ 必须定期检查保护装置的功能。

安装提示


- 安装前必须检查产品是否受到运输损害。安装后将不认可运输损害或表面损伤。
- 装配时为避免挤压和切割受伤, 必须戴上手套。
- 所有的工作只能在没有电压的状况下进行。其中通过总开关或电源插头可靠断开供电。
- 安装时只允许使用符合标准要求材料。
- 所有组件必须保持可供使用。
- 周围环境温度不得高于 40 °C。
- 光源和照明用具工作时发热。光源必须与可燃物距离至少 50 cm。
- 在安装产品的位置, 安装人员必须确保安装面的墙面是平的 (没有突出物或瓷砖没有突起), 墙体结构适合产品的安装并没有弱点。包装内的膨胀螺丝只适用于混凝土墙体。对于其他墙体结构必须咨询膨胀螺丝生产商的建议。

54105467, 54106467

技术参数

额定电压:	220 VAC 50/60Hz
功率:	12VDC 最大 2.5A 30W
保护等级:	IP 44
批号:	(参见铭牌 / 参见第页 5)
重量 54105467:	14500 g
重量 54106467:	16240 g


符号说明

 请勿使用含有乙酸的硅胶!

 危险电压警告

 大小 (参见第页 6)

 操作 (参见第页 12)

 注意! 54105467, 54106467 (参见第页 9)

担保 (参见第页 10)

 清洗 (参见第页 8)

- 54105467, 54106467: 关闭光源
- 使用在热水中洗净并拧干的麂皮去除标记 (面霜、化妆品等)。务必使用清洁的干抹布擦拭四周。请勿使用玻璃或窗户清洁剂或其它化学品, 这些产品可能损坏银涂层, 产生棕色的疤痕。忽视这些说明所产生的后果, 不在保修范围内。
- 表面使用干布或湿布进行擦净。
- 在此应注意不得有液体渗入到灯中。
- 如不按规定处理而产生损失, 我们将不提供保障。

Safety Notes

- Damage caused by using incorrect cleaners or misuse is not covered by our guarantee.

Intended Use

- △ 54105467, 54106467: The entire power is supplied via a 220V/N/PE/50Hz AC connection.
- △ A different or excessive use is considered non-intended. The intended use includes the adherence to the operating instructions and the observance of the inspection and maintenance guidelines.

54105467, 54106467 Electrical installation**Electrician**

- △ The installation and test work must be performed by an authorized electrician under consideration of DIN VDE 0100 part 701 / IEC 60364-7-701.

Electrical connection

- △ Voltage supply: 220V/N/PE/50Hz

Residual current protection system

- △ The circuit must be protected via a ground fault protector (RCD / FI) with a measured differential current of ≤ 30 mA.
- △ The proper function of this protective device must be checked at regular intervals.

Installation Instructions

- Prior to installation, inspect the product for transport damages. After it has been installed, no transport or surface damage will be honoured.
- Gloves should be worn during installation to prevent crushing and cutting injuries.
- Any work may only be carried out in a de-energized state. Here, the voltage supply must be safely separated via the main switch or mains plugs.
- Only standardized materials may be used for the installation.
- All components must remain accessible.
- The ambient temperature must not exceed 40 °C.
- During operation this lamp will get hot. A minimum distance of 50cm should be maintained, away from inflammable items.
- Where the contractor mounts the product, he should ensure that the entire area of the wall to which the mounting plate is to be fitted, is flat (no projecting joints or tiles sticking out), that the structure of the wall is suitable for the installation of the product and has no weak points. The enclosed screws and dowels are only suitable for concrete. For another wall constructions the manufacturer's indications of the dowel manufacturer have to be taken into account.

54105467, 54106467**Technical Data**

Nominal voltage:	220 VAC 50/60Hz
Power:	12VDC max. 2.5A 30W
Protection class:	IP 44
Serial number:	(see typeplate / see page 5)
weight 54105467:	14500 g
weight 54106467:	16240 g

Symbol description

Do not use silicone containing acetic acid!



Beware of dangerous electrical current



Dimensions (see page 6)



Operation (see page 12)



Important! 54105467, 54106467 (see page 9)

Warranty (see page 10)

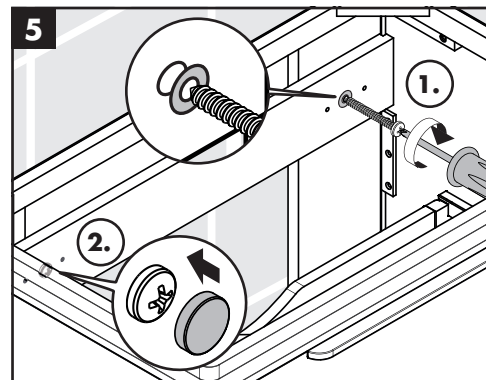
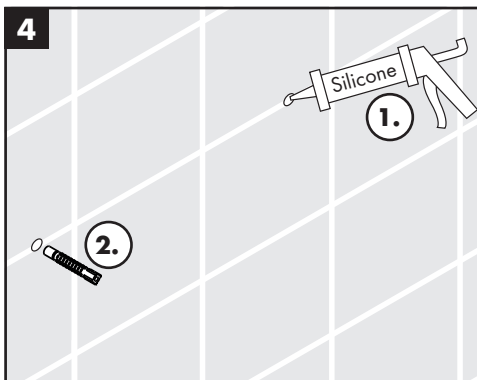
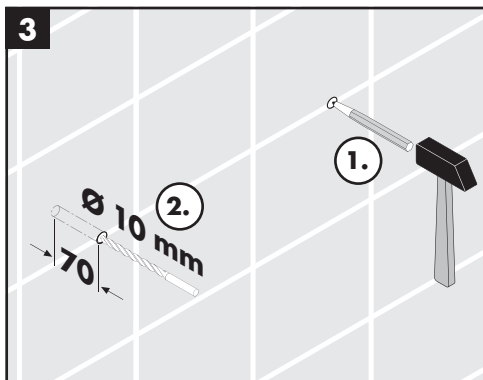
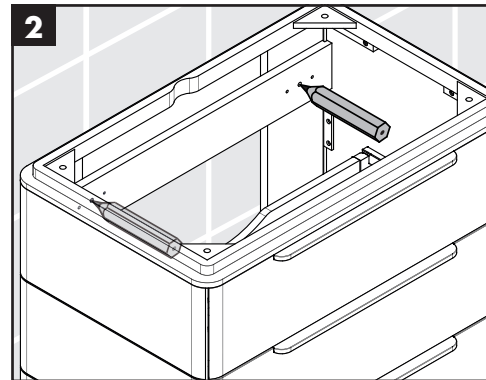
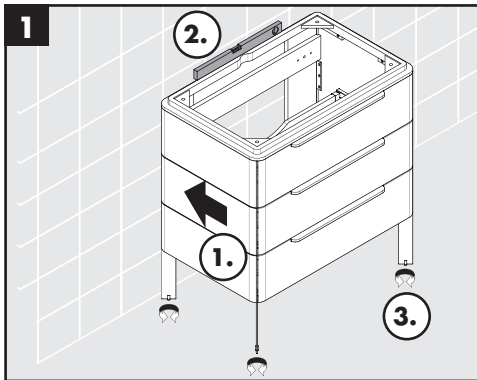


Cleaning (see page 8)

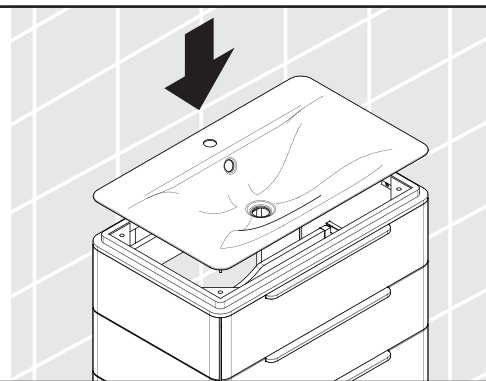
- 54105467, 54106467: Switch off light.
- Remove marks (cremes, cosmetics etc.) with a chamois leather that has been rinsed in hot water and wrung out well. Always wipe around the edges with a clean, dry cloth. Do not use glass or window cleaner or other chemicals, as these may damage the silver coating and cause brown marks. We cannot accept liability or provide guarantee cover if these instructions are ignored.
- Wipe surface with a soft dry or damp cloth.
- Ensure no moisture or fluid into the light.



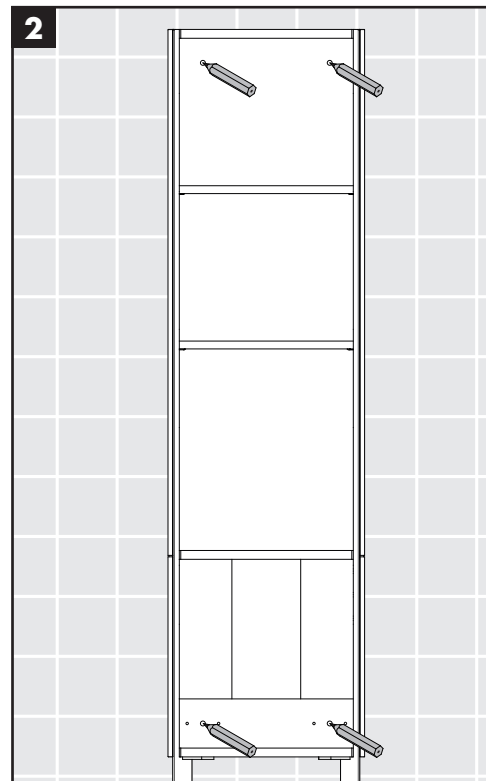
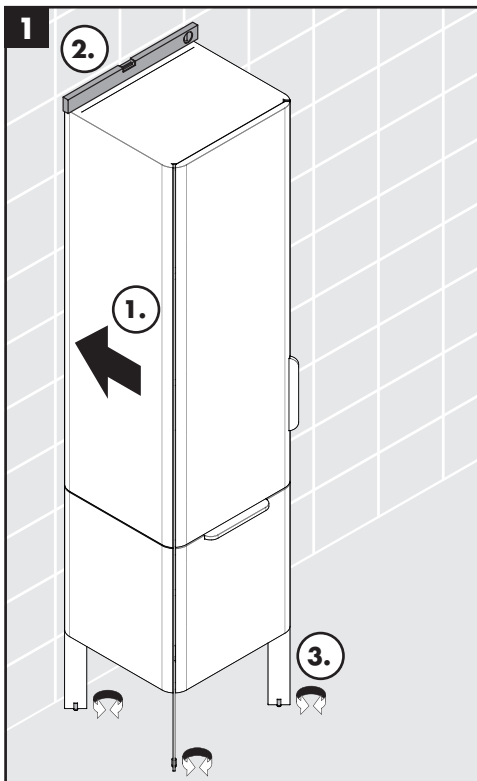
MoonWake 80 x 50 cm
54100467
MoonWake 100 x 50 cm
54101467
MoonWake 120 x 50 cm
54102467

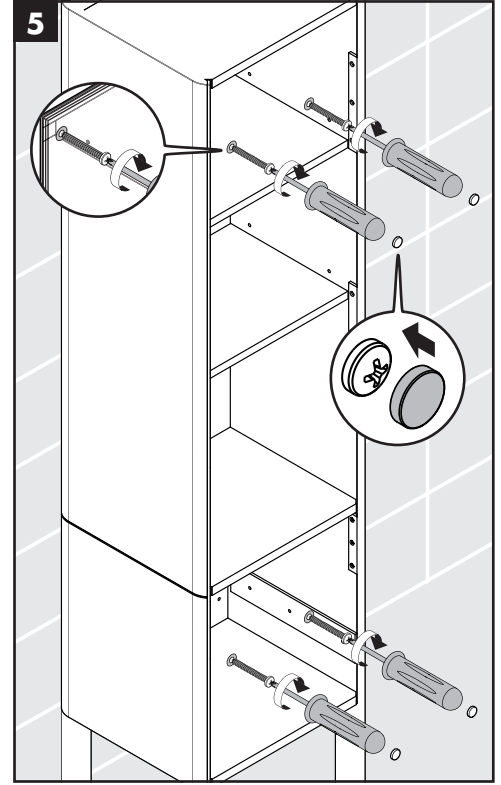
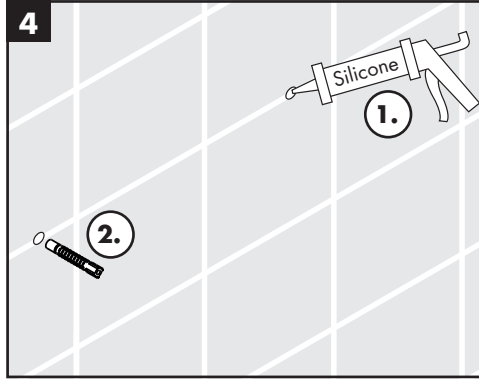
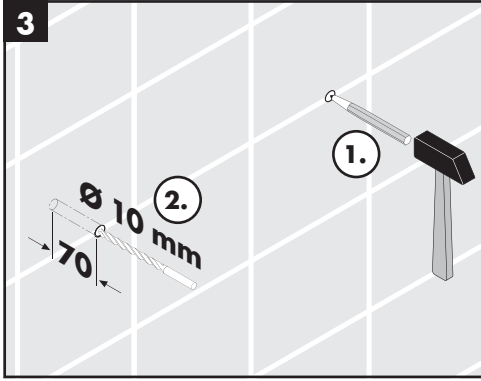


MoonWake 80 x 50 cm + **MoonWake 80 x 50 cm**
54100467 22417007
MoonWake 100 x 50 cm + **MoonWake 100 x 50 cm**
54101467 22419007
MoonWake 120 x 50 cm + **MoonWake 120 x 50 cm**
54102467 22420007



MoonWake 40 x 38 cm
54107467
MoonWake 40 x 38 cm
54108467





MoonWake 80 x 13,5 cm

54105467

MoonWake 100 x 13,5 cm

54106467

LED Driver XX/XX
 Model: AED30 - 12VLSTB-IP44
 Input: 220-240VAC 50/60Hz 38W 0.20A PF≥0.9
 Output: 12VDC Max. 2.5A 30W
 Max: 15V (no load)
 ta: 40 °C tc: 80 °C



MoonWake 80 x 13,5 cm

54105467

MIRROR DEFOGGER

Code: RE-1624 Size: 290*660mm
 Shape: Rectangular Power: 220V/50Hz
 Input: 1.5-2.5W/D m² Date: XXXX
 Temperature rise: 10-20 °C Test: QC-08

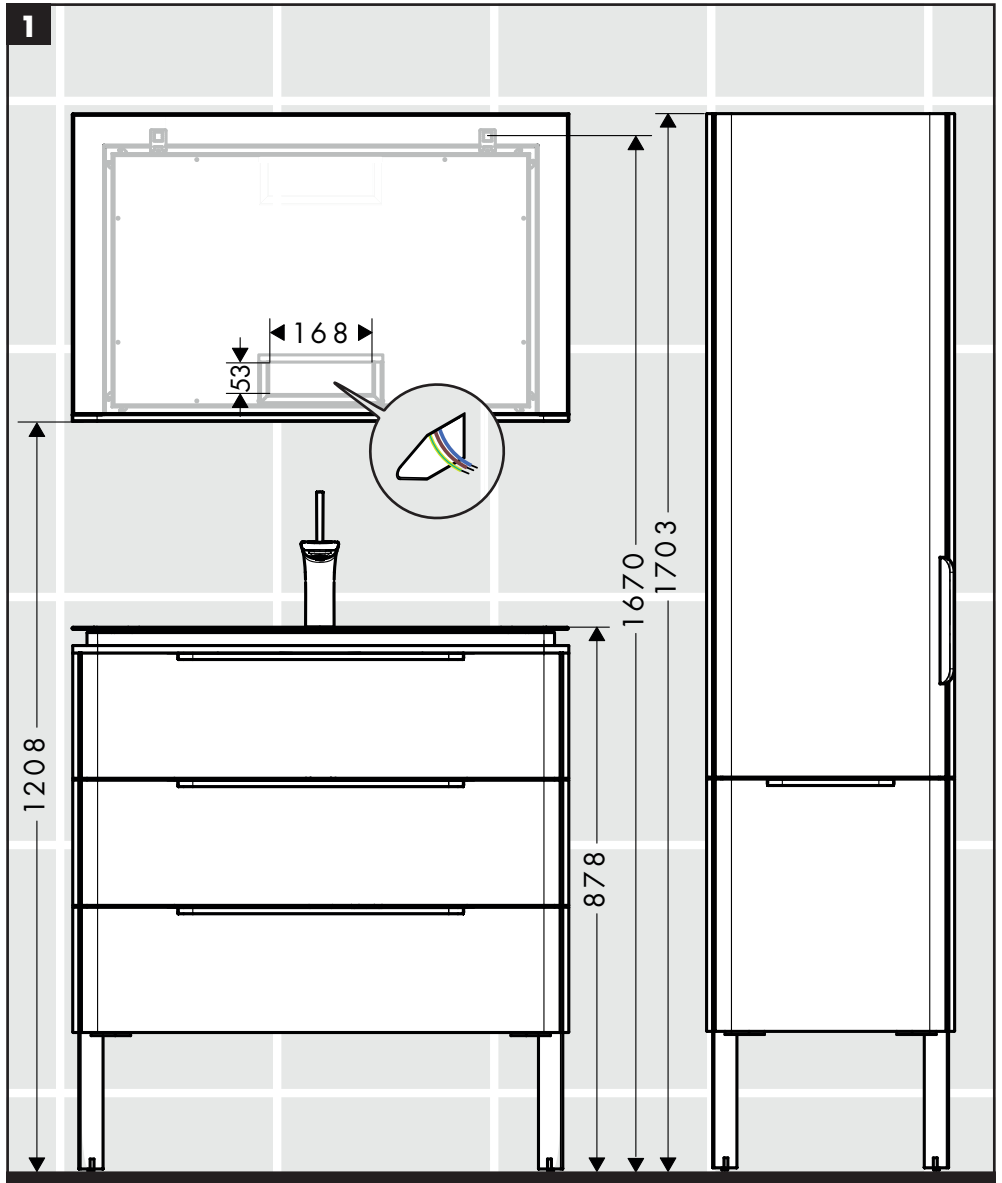


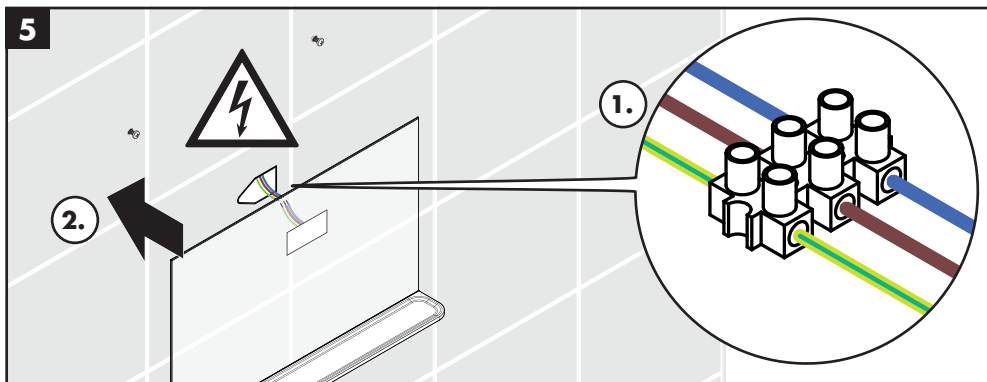
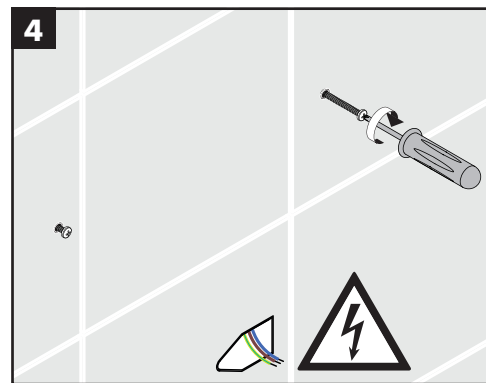
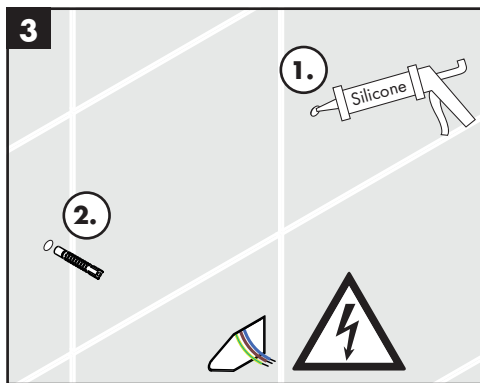
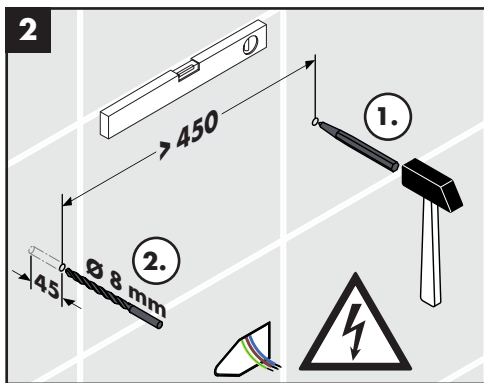
MoonWake 100 x 13,5 cm

54106467

MIRROR DEFOGGER

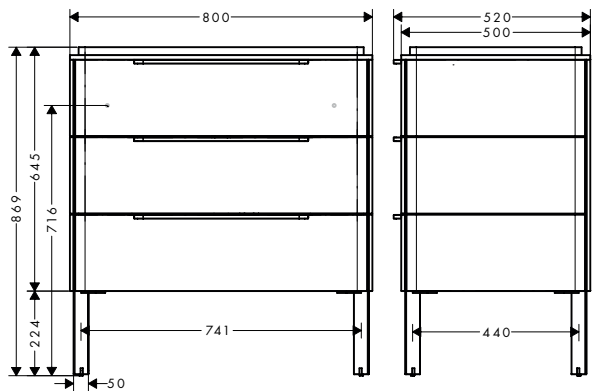
Code: RE-1624 Size: 290*860mm
 Shape: Rectangular Power: 220V/50Hz
 Input: 1.5-2.5W/D m² Date: XXXX
 Temperature rise: 10-20 °C Test: QC-08





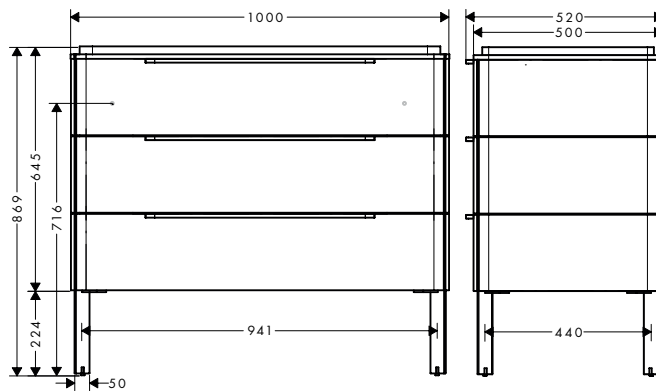
MoonWake 80 x 50 cm

54100467



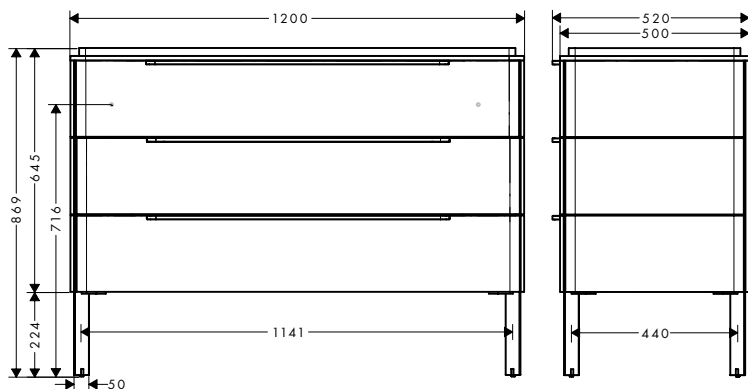
MoonWake 100 x 50 cm

54101467



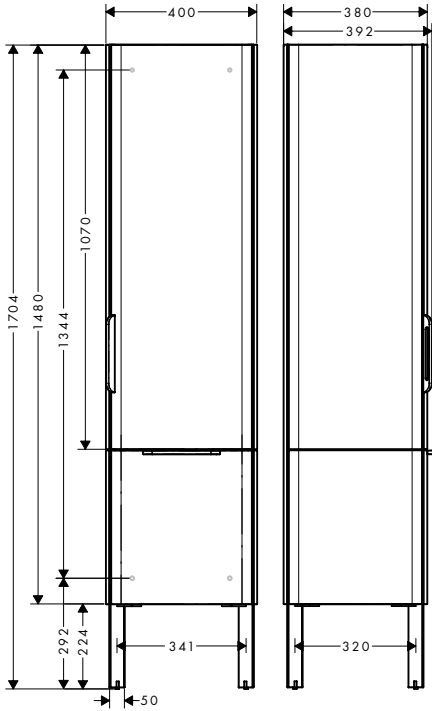
MoonWake 120 x 50 cm

54102467



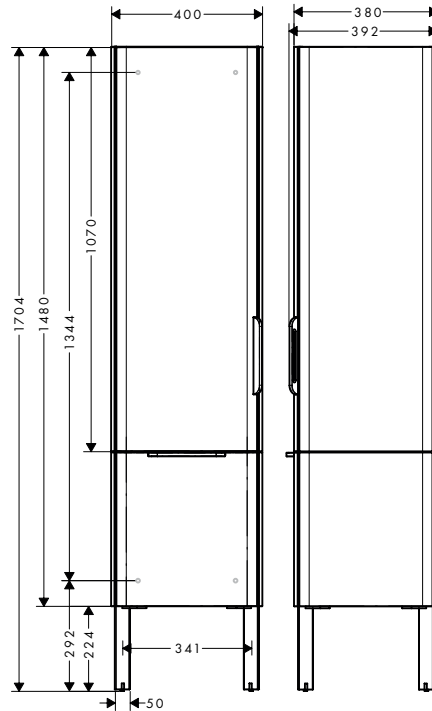
MoonWake 40 x 38 cm

54108467



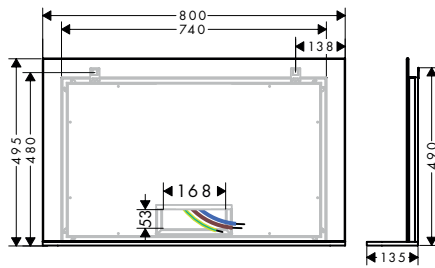
MoonWake 40 x 38 cm

54107467



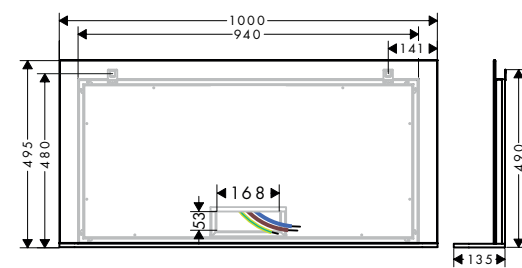
MoonWake 80 x 13,5 cm

54105467



MoonWake 100 x 13,5 cm

54106467





汉斯格雅产品的清洁建议

现代的卫浴龙头、厨房龙头、花洒、配件、盥洗台、浴盆和加热器采用的制造材料非常迥异，以适应产品外形设计和使用功能的市场需求。

为了避免产品损坏和由此引发的投诉及争议，必须在使用和清洁产品时遵循有关规程。

在保养汉斯格雅产品时，原则上必须注意：

- 只能使用那些有明确注明是适用于本产品的清洁剂。
- 不允许使用含有盐酸、蚁酸、氯漂或醋酸的清洁剂，因为这些清洁剂会给产品表面造成严重的损伤。
- 含磷酸的清洁剂必须在特定条件下使用。
- 不允许将两种以上清洁剂混合使用。
- 不允许使用具有研磨作用的清洁工具和设备，如不适合的清洁粉末、海绵垫或超细麦克布。
- 必须严格遵守清洁剂生产厂商的使用说明。
- 严格遵守清洁剂的用量和作用时间，决不允许清洁剂的作用时间长于规定值。
- 定期的清洁以预防水垢。
- 不允许将清洁剂直接喷射到汉斯格雅产品上，因为喷雾会进入汉斯格雅产品的开口部分和缝隙中而造成损害。首先将清洁剂喷在软布上，再用软布进行清洁。
- 清洁之后必须用足够的清水冲洗，以彻底去除残留的吸附物(清洁剂)。
- 不允许使用蒸汽清洗机，高温会损害产品。

重要说明

肥皂、洗发水、沐浴液、染发剂、香水、刮胡水、指甲油的残留也会对产品造成损伤。

此处：使用后要小心地用清水将剩余物冲洗干净。

同样在产品下方不得存放洗涤剂 and 化学药品，例如不可放在用于洗脸盆的梳洗柜中否则挥发气体会损坏产品。

在已经损伤的表面继续使用清洁剂会给表面造成更大的损伤。



表面损坏的部件必须更换，否则会有受伤的危险。

不按规定进行清洁而造成的任何损坏不在本公司产品保修范围之内。

担保

Hansgrohe 向用户保证，该产品无制造缺陷。如果自购买之日起一年内出现缺陷，Hansgrohe 将免费排除。保证条件和详情见

www.hansgrohe-int.com/guarantee。在提出保修的权利时请联系您的合同方。本保证不涉及有关国家法律规定的消费权

Cleaning Recommendation for Hansgrohe Products

Today, modern sanitary and kitchen tapware, showers, accessories, washstands, tubs and radiators consist of very different materials to comply with the needs of the market with regard to design and functionality.

To avoid damage and reclamations, it is necessary to consider certain criteria when cleaning.

With regard to caring for the Hansgrohe products, the following must in principle be heeded:

- Only use cleaning material which is explicitly provided for this type of application.
- Never use cleaning materials, which contain hydrochloric acid, formic acid, chlorine pale lye or acetic acid, as they cause considerable damage.
- Phosphorus acidic cleaners are only conditionally applicable.
- Mixing cleaning agents is not permitted, generally.
- Never use cleaning materials or appliances with an abrasive effect, such as unsuitable cleaning powders, sponge pads or micro fibre cloths.
- The instructions of the cleaning agent manufacturers have to be followed absolutely.
- Cleaning has to be carried out with a specified cleaner dosage, contact time, object-related and adapted to the needs.
- The building up of calcifications has to be removed by cleaning regularly.
- When using spray cleaners, spray the cleaning solution onto a soft cloth or sponge, never directly onto the Hansgrohe products, as the atomised spray could enter openings and gaps in the Hansgrohe products and cause damage.
- After cleaning rinse thoroughly with clean water to remove any cleaner residue.
- The use of steam cleaners is not permitted. The high temperatures can damage the products.

Important

Residues of toiletries such as liquid soaps, shampoos and shower gels, hair dyes, perfumes, aftershave and nail varnish can also cause damage.

Here too: Carefully rinse with water after use to remove residues.

Likewise, do not store any cleaning agents or chemicals under the products, for example in a vanity unit, as the vapours may damage the products.

The damage of already damaged surfaces will deteriorate under the effect of the cleansers.

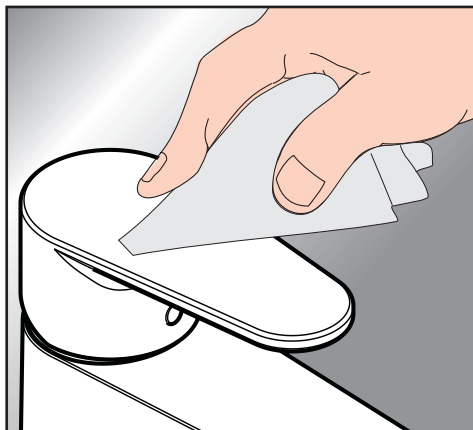


Components with damaged surfaces must be exchanged, otherwise there could be an injury danger.

Damage caused by improper treatment will not be covered by our guarantee.

Warranty

Hansgrohe guarantees to the consumer that this product is free of production faults. If nevertheless any defect is detected within 1 year from date of purchase, Hansgrohe will remedy this defect free of charge. You will find the conditions and details of this guarantee at www.hansgrohe-int.com/guarantee. Please contact your contracting party to claim your rights under this guarantee. This guarantee does not affect the customer's rights under the respective national legislation.





MoonWake 80 x 13,5 cm

54105467

MoonWake 100 x 13,5 cm

54106467



产品中有害物质的名称及其含量

化妆镜（镜柜）主体组件	有害物质					
	铅 (Pb)	汞 (Hg)	镉 (Cd)	六价铬 (Cr6+)	多溴联苯 (PBB)	多溴二苯醚 (PBDE)
化妆镜（镜柜）主体组件	○	○	○	○	○	○
LED套管灯带组件	○	○	○	○	○	○
LED控制装置组件	×	○	○	○	○	○
加热膜组件	○	○	○	○	○	○
安装配件	○	○	○	○	○	○

本表格依据SJ/T 11364-2014的规定编制。

○：表示该有害物质在该部件所有均质材料中的含量均在GB/T 26572规定的限量要求以下；

×：表示该有害物质至少在该部件的某一均质材料中的含量超出GB/T 26572规定的限量要求；

MoonWake 80 x 13,5 cm

54105467

MoonWake 100 x 13,5 cm

54106467



Name and Content of Hazardous Substances in Products

Cosmetic mirror (mirror cabinet) body components	Hazardous Substance					
	Lead (Pb)	Mercury (Hg)	Cadmium (Cd)	Hexavalent chromium (Cr6+)	Polybrominated biphenyl (PBB)	Polybrominated diphenyl ether (PBDE)
Cosmetic mirror (mirror cabinet) body components	○	○	○	○	○	○
LED light band	○	○	○	○	○	○
LED control device	×	○	○	○	○	○
Heating film	○	○	○	○	○	○
Installation accessories	○	○	○	○	○	○

This form is prepared in accordance with SJ / T 11364-2014.

○: It indicates that the content of this hazardous substance in all the homogeneous material of this component is below the limit specified in GB/T 26572.

×: It indicates that the content of this hazardous substance at least in a homogeneous material of this component is above the limit specified in GB/T 26572.

产品保修卡

产品型号		客户姓名	
销售单位		购买日期	
发票号码		客户电话	
经销商盖章		经销商电话	

感谢您购买本公司产品!为确保产品信誉及维护您的消费权益,自购买日起(以购买单据日期为准),本公司为您提供免费的保修服务:面盆部分三十年,柜体以及镜子部分一年,官方服务平台注册成功后,柜体以及镜子部分延保一年,敬请放心使用。

按照说明书和使用注意事项正常使用后发生故障时,在保修期内免费维修。保修期内因故障要求维修时,可凭保修卡和原始发票与本公司联系,进行免费维修或更换(如果没有同样的型号则以类似型号代替,本公司保留此权利)。

如果超过保修期或遗失保修卡,本公司也提供维修服务并收取成本费用。

该有限责任仅适用于中国大陆(不包括香港、澳门、台湾)。

本公司产品的有限责任承担适合购买的本公司产品,保修期内以下情况下进行收费维修:

- 1.因使用不当,误操作或者不正当的修理改造而造成的损坏。
- 2.移动安装位置所造成的损坏。
- 3.由火灾、地震、水灾、雷击、冰冻及其他自然灾害,公害和气体灾害、硫酸、盐酸、异常电压引起的损坏。
- 4.因使用非指定电源(电压、频率)发生的损坏。
- 5.用于一般家庭或者酒店以外的用途,所发生的损坏。
- 6.因淤积的沙土、污物而产生的使用不良及包装等易耗品造成的损坏。



全国统一服务热线: 400-820-3555

为保障您的正常使用,请在安装后及时扫码注册

Warranty Card

Model No.		Customer Name	
Seller		Purchasing Date	
Invoice No.		Customer Contact No.	
Distributor Stamp		Distributor Contact No.	

Thank you for purchasing our product! We will provide you with free warranty service: the basin part for 30 years, the cabinet and mirror part for one year. After successful registration on official service platform, warranty service for the cabinet and mirror part will be extended for one more year. Please feel free to use.

Where this product malfunctions when you use it normally according to the manual and precautions for use, it can be repaired free of charge during the warranty period. Where this product needs to be repaired due to faults during the warranty period, you can contact our company with the warranty card and the original invoice for free repair or replacement(it may be replaced with a similar model if the same model is not available, and we reserve this right).

In the event of exceeding the warranty period or losing the warranty card, we also provide you with a repair service, which will be charged at cost.

This limited liability applies only to mainland China (excluding Hong Kong, Macau and Taiwan).

The undertaking of the limited liability for the product of our company applies to our product purchased by you, and the repairs will be charged during the warranty period under the following conditions:

1. Damages caused by improper use, maloperation or improper repair or modification.
2. Damages caused by moving the installation location.
3. Damages caused by fires, earthquakes, floods, lightning strikes, freezing and other natural disasters, public nuisances and gas disasters, sulfuric acid, hydrochloric acid, and abnormal voltage.
4. Damages caused by the use of power sources other than the specified power source (voltage, frequency).
5. Damages caused by the uses other than the general household or hotel uses.
6. Damages caused by improper uses incurred from silting-up sand and dirt and consumables such as packaging.



National Service Hotline: 400-820-3555

To protect your normal use, please scan the code and register the product in time after installation.



MoonWake 80 x 13,5 cm
54105467
MoonWake 100 x 13,5 cm
54106467

