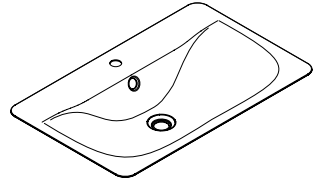


**ZH** 用户手册 / 组装说明

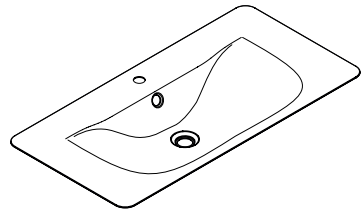
**EN** Instructions for use / assembly instructions

**2**

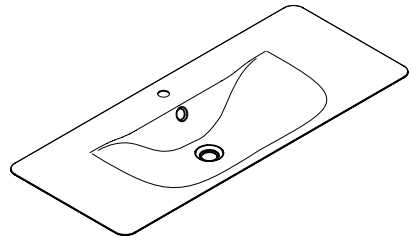
**2**



**Moonwake 80 x 50 cm**  
22417007



**Moonwake 100 x 50 cm**  
22419007



**Moonwake 120 x 50 cm**  
22420007

 安全技巧

- △ 装配时为避免挤压和切割受伤，必须戴上手套。
- △ 本产品只允许作为洗浴、卫生和洁身之用。

## 安装提示

- 安装前必须检查产品是否受到运输损害。安装后将不认可运输损害或表面损伤。
- 开始实施安装工作前必须检查所有尺寸和安装位置。
- 请遵守当地国家现行的安装规定。

## 符号说明



请勿使用含有乙酸的硅胶！



安装示意 (参见第页 3)

该盥洗盆也可与其他结构相同的龙头组合使用。但是汉斯格雅公司无法担保所使用龙头的喷水情况。



大小 (参见第页 8)



备用零件 (参见第页 9)



清洗 (参见第页 6)



## Safety Notes

- △ Gloves should be worn during installation to prevent crushing and cutting injuries.
- △ The product may only be used for bathing, hygienic and body cleaning purposes.

## Installation Instructions

- Prior to installation, inspect the product for transport damages. After it has been installed, no transport or surface damage will be honoured.
- Before starting any mounting work, check all dimensions and installation positions.
- The plumbing codes applicable in the respective countries must be observed.

## Symbol description



Do not use silicone containing acetic acid!



Installation example (see page 3)

Optionally, fittings of identical design may be combined with the wash basin. However, Hansgrohe does not take any liability for the spray behaviour of such fittings.



Dimensions (see page 8)



Spare parts (see page 9)



Cleaning (see page 6)

普丽唯 PuraVida 110  
15070XX7

**Moonwake 80 x 50 cm**  
22417007

**Moonwake 100 x 50 cm**  
22419007

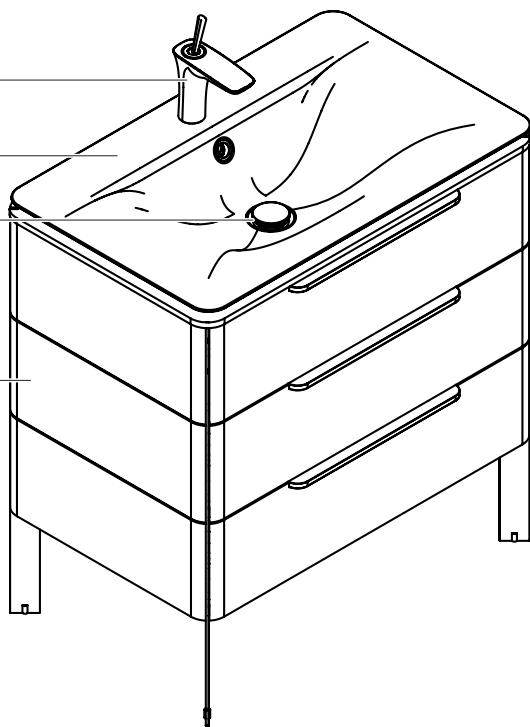
**Moonwake 120 x 50 cm**  
22420007

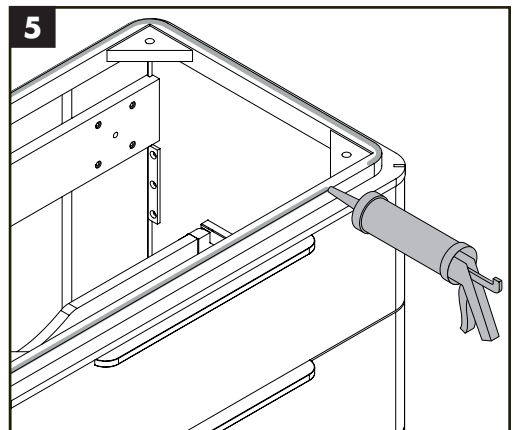
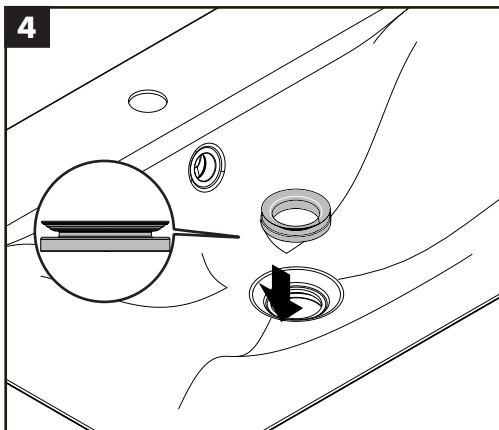
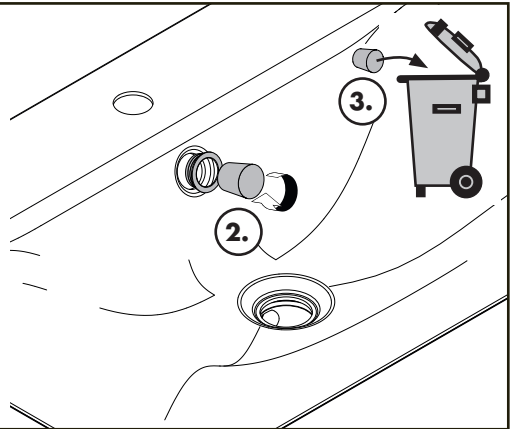
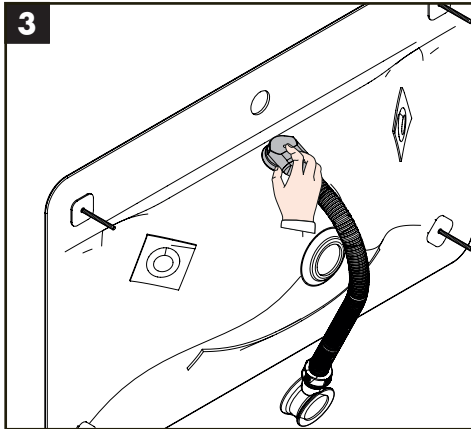
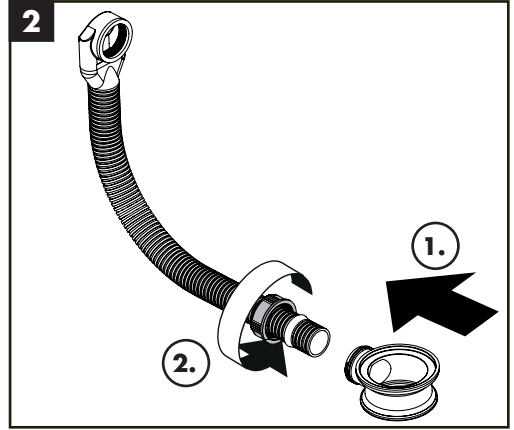
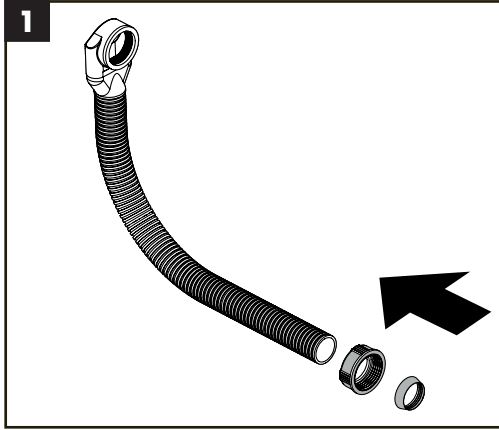
**Moonwake 80 x 50 cm**  
54100467

**Moonwake 100 x 50 cm**  
54101467

**Moonwake 120 x 50 cm**  
54102467

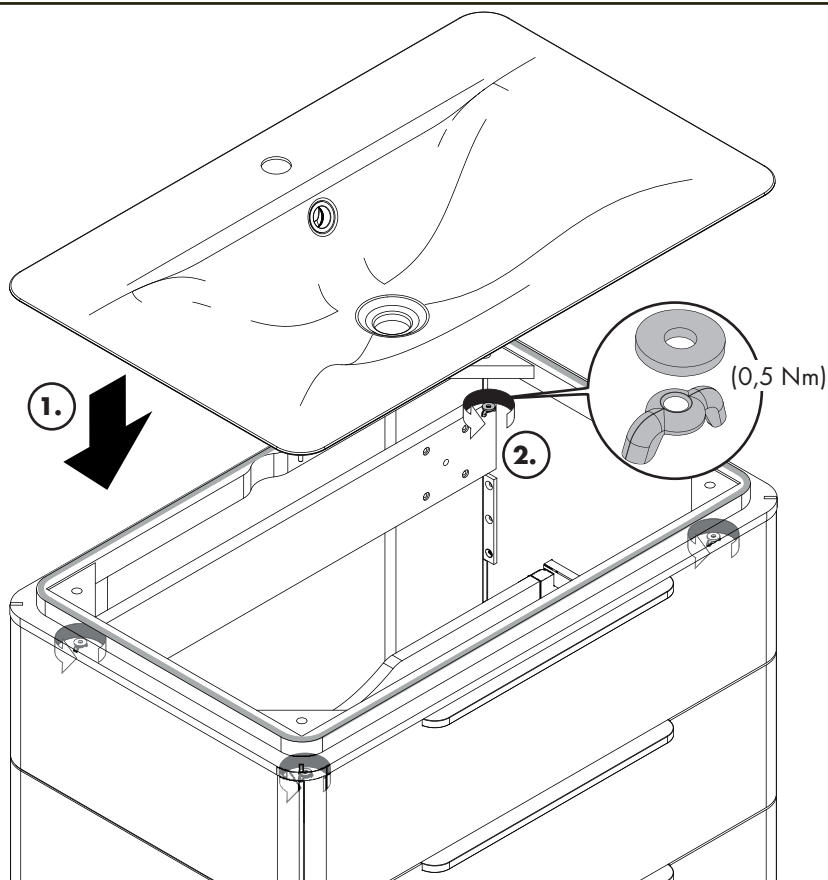
50100007







6

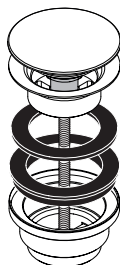
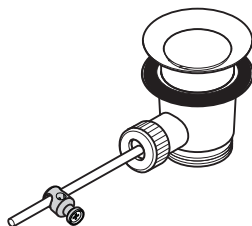


94139XX7

50001XXX

50100XXX

不在供货范围内  
order as an extra





## 汉斯格雅产品的清洁建议

现代的卫浴龙头、厨房龙头、花洒、配件、盥洗台、浴盆和加热器采用的制造材料非常迥异，以适应产品外形设计和使用功能的市场需求。

为了避免产品损坏和由此引发的投诉及争议，必须在使用和清洁产品时遵循有关规程。

在保养汉斯格雅产品时，原则上必须注意：

- 只能使用那些有明确注明是适用于本产品的清洁剂。
- 不允许使用含有盐酸、蚁酸、氯漂或醋酸的清洁剂，因为这些清洁剂会给产品表面造成严重的损伤。
- 含磷酸的清洁剂必须在特定条件下使用。
- 不允许将两种以上清洁剂混合使用。
- 不允许使用具有研磨作用的清洁工具和设备，如不适合的清洁粉末、海绵垫或超细麦克布。
- 必须严格遵守清洁剂生产厂商的使用说明。
- 严格遵守清洁剂的用量和作用时间，决不允许清洁剂的作用时间长于规定值。
- 定期的清洁以预防水垢。
- 不允许将清洁剂直接喷射到汉斯格雅产品上，因为喷雾会进入汉斯格雅产品的开口部分和缝隙中而造成损害。首先将清洁剂喷在软布上，再用软布进行清洁。
- 清洁之后必须用足够的水冲洗，以彻底去除残留的吸附物（清洁剂）。
- 不允许使用蒸汽清洗机，高温会损害产品。

## 重要说明

肥皂，洗发水、沐浴液、染发剂、香水、刮胡子、指甲油的残留也会对产品造成损伤。

此处：使用后要小心地用清水将剩余物冲洗干净。

同样在产品下方不得存放洗涤剂 and 化学药品，例如不可放在用于洗脸盆的梳洗柜中否则挥发气体将损坏产品。

在已经损伤的表面继续使用清洁剂会给表面造成更大的损伤。

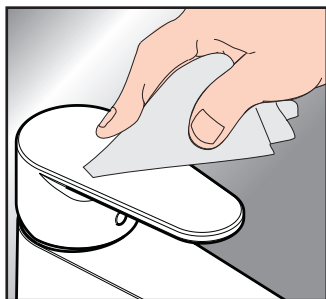


**表面损坏的部件必须更换，否则会有受伤的危险。**

不按规定进行清洁而造成的任何损坏不在本公司产品保修范围之内。

## 担保

汉斯格雅保证，该面盆产品从购买之日起30年内，在正常住宅使用过程中，在材料和工艺上不存在缺陷。本保证只适用于正常使用和维护情况下的产品。除此之外的所有产品问题，均需贵方自行承担维修或更换的费用。





## Cleaning Recommendation for Hansgrohe Products

Today, modern sanitary and kitchen tapware, showers, accessories, washstands, tubs and radiators consist of very different materials to comply with the needs of the market with regard to design and functionality.

To avoid damage and reclamations, it is necessary to consider certain criteria when cleaning.

### With regard to caring for the Hansgrohe products, the following must in principle be heeded:

- Only use cleaning material which is explicitly provided for this type of application.
- Never use cleaning materials, which contain hydrochloric acid, formic acid, chlorine pale lye or acetic acid, as they cause considerable damage.
- Phosphorus acidic cleaners are only conditionally applicable.
- Mixing cleaning agents is not permitted, generally.
- Never use cleaning materials or appliances with an abrasive effect, such as unsuitable cleaning powders, sponge pads or micro fibre cloths.
- The instructions of the cleaning agent manufacturers have to be followed absolutely.
- Cleaning has to be carried out with a specified cleaner dosage, contact time, object-related and adapted to the needs.
- The building up of calcifications has to be removed by cleaning regularly.
- When using spray cleaners, spray the cleaning solution onto a soft cloth or sponge, never directly onto the Hansgrohe products, as the atomised spray could enter openings and gaps in the Hansgrohe products and cause damage.

- After cleaning rinse thoroughly with clean water to remove any cleaner residue.
- The use of steam cleaners is not permitted. The high temperatures can damage the products.

### Important

Residues of toiletries such as liquid soaps, shampoos and shower gels, hair dyes, perfumes, aftershave and nail varnish can also cause damage.

Here too: Carefully rinse with water after use to remove residues.

Likewise, do not store any cleaning agents or chemicals under the products, for example in a vanity unit, as the vapours may damage the products.

The damage of already damaged surfaces will deteriorate under the effect of the cleansers.

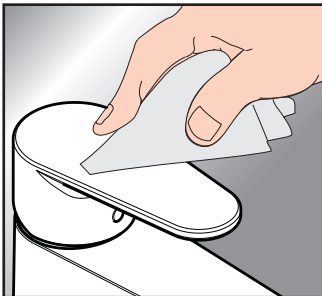


**Components with damaged surfaces must be exchanged, otherwise there could be an injury danger.**

Damage caused by improper treatment will not be covered by our guarantee.

### Warranty

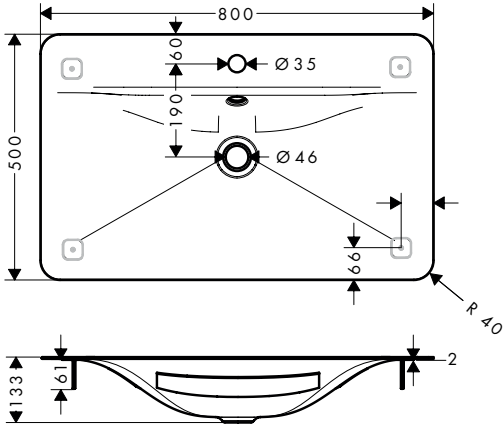
Hansgrohe warrants this basin product to be free of defects in material and workmanship during normal residential use for 30 years. This warranty only applies to the normal use and maintenance. All other product problems require you to bear the cost of maintenance or replacement.





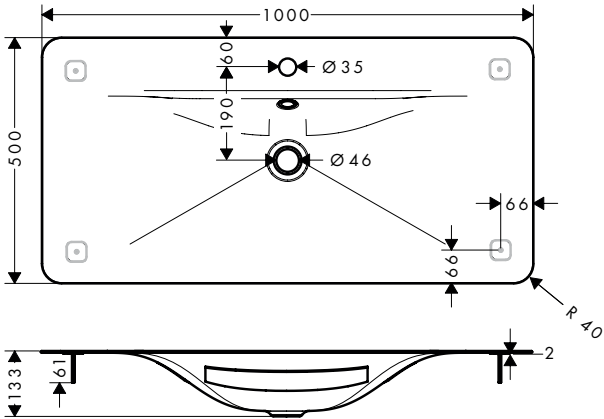
### Moonwake 80 x 50 cm

22417007



### Moonwake 100 x 50 cm

22419007

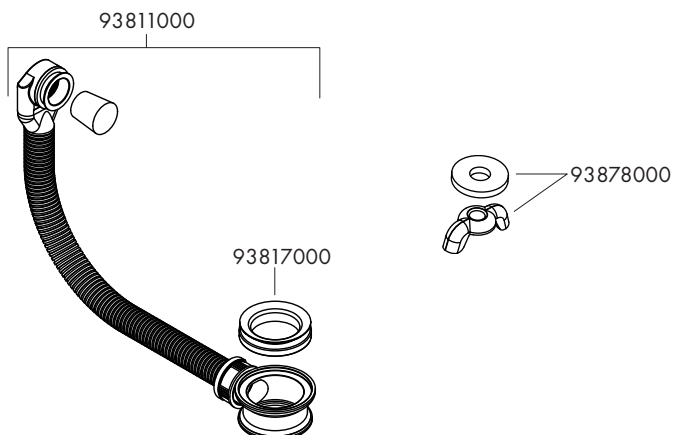
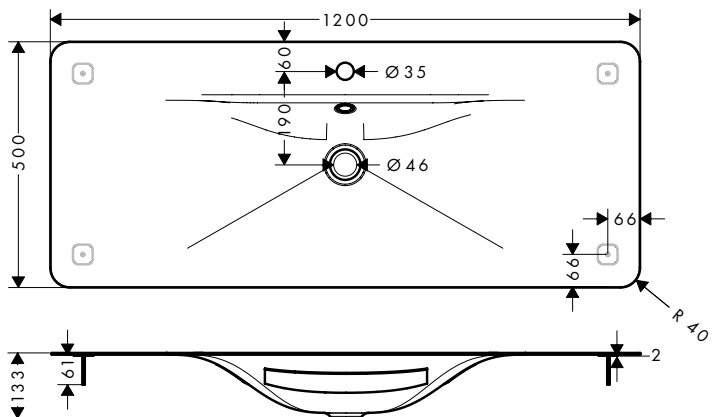






# Moonwake 120 x 50 cm

22420007







---

**hansgrohe**

Hansgrohe · Auestraße 5 · 9 · D-77761 Schiltach · Telefon +49 (0) 78 36/51-1282 · Telefax +49 (0) 7836/511440  
E-Mail: [info@hansgrohe.com](mailto:info@hansgrohe.com) · Internet: [www.hansgrohe.com](http://www.hansgrohe.com)

12/2020  
9.07.677.51 Rev. 01 Z0018236, Rev. 02