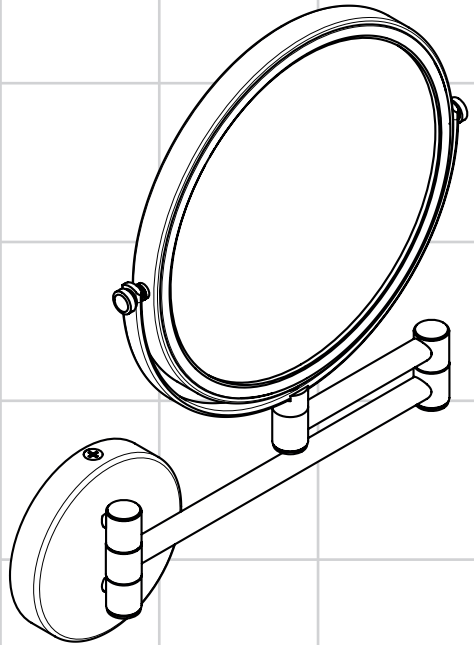


ZH 用户手册 / 组装说明	2
EN Instructions for use / assembly instructions	3



Logis E
73561007



安全技巧

△ 装配时为避免挤压和切割受伤，必须戴上手套。

安装提示

- 安装前必须检查产品是否受到运输损害。安装后将不认可运输损害或表面损伤。
- 由有资格的专业人员进行产品安装时请注意：在所有加固区域中，加固表面是否平整（无突出的接缝或瓷砖），墙体结构是否适合产品安装且未显露出任何缺点。

符号说明



请勿使用含有乙酸的硅胶！



大小 (参见第 3 页)

清洗

- 使用在热水中洗净并拧干的麂皮去除标记（面霜、化妆品等）。务必使用清洁的干抹布擦拭四周。请勿使用玻璃或窗户清洁剂或其它化学品，这些产品可能损坏银涂层，产生棕色的疤痕。忽视这些说明所产生的后果，不在保修范围内。

Safety Notes

△ Gloves should be worn during installation to prevent crushing and cutting injuries.

Installation Instructions

- Prior to installation, inspect the product for transport damages. After it has been installed, no transport or surface damage will be honoured.
- During installation of the product by qualified trained personnel, make sure that the entire fastening surface is even and smooth (no protruding seams or tile offset), that the finish of the wall is suitable to apply the product and has no weak points.

Symbol description



Do not use silicone containing acetic acid!

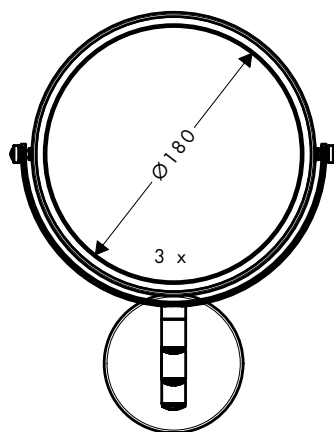
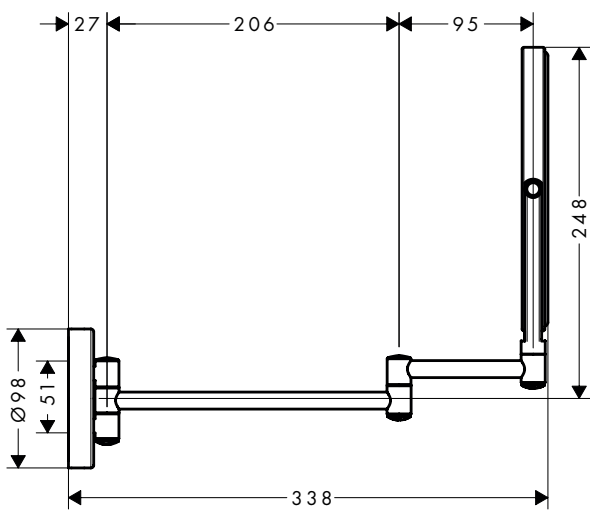
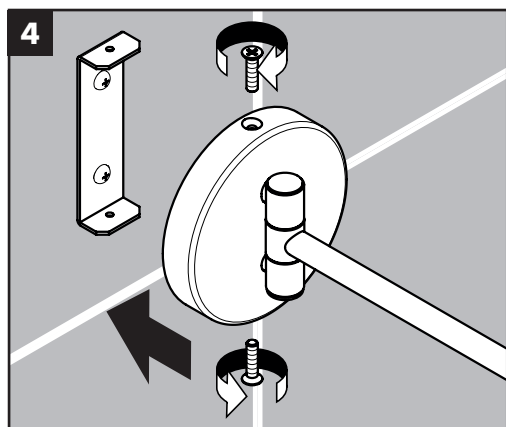
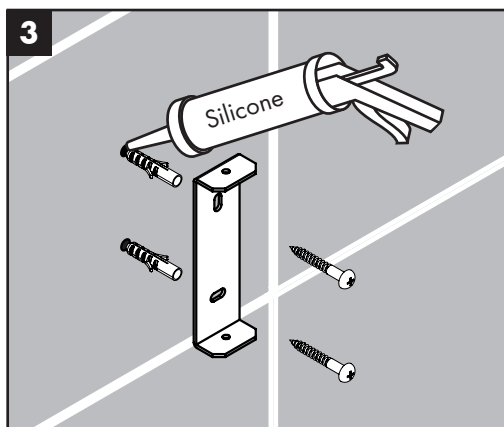
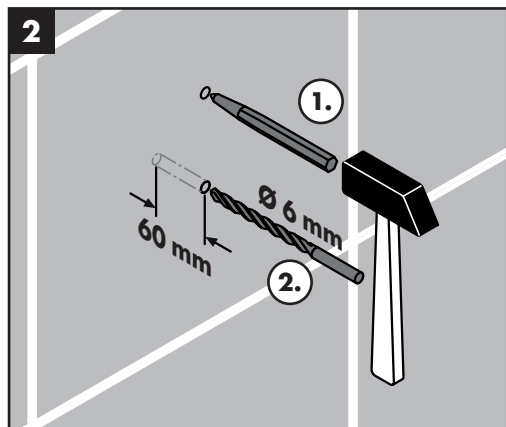
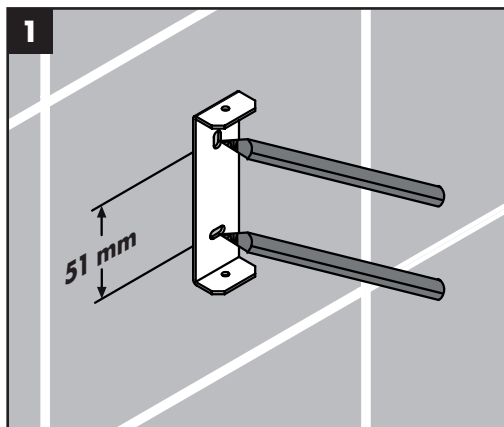


Dimensions (see page 3)

Cleaning

- Remove marks (cremes, cosmetics etc.) with a chamois leather that has been rinsed in hot water and wrung out well. Always wipe around the edges with a clean, dry cloth. Do not use glass or window cleaner or other chemicals, as these may damage the silver coating and cause brown marks. We cannot accept liability or provide guarantee cover if these instructions are ignored.





hansgrohe

Hansgrohe · Auestraße 5 · 9 · D-77761 Schiltach · Telefon +49 (0) 78 36/51-1282 · Telefax +49 (0) 7836/51 1440
E-Mail: info@hansgrohe.com · Internet: www.hansgrohe.com

8/2018
9.0581701