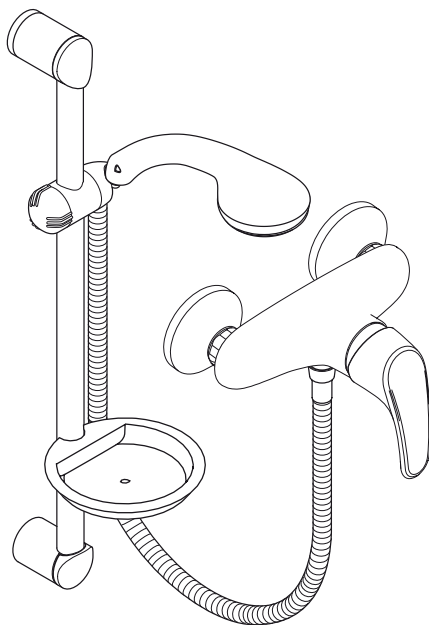


# Installation Instructions



**Marin Avista Set**  
27194000

**hansgrohe**

---

# Contents

Safety and Important Information	3
Pack Contents	4
Dimensions	5
Technical Data	5
Installation Requirements	6-7
<b>Installation</b>	
Shower Mixer	8-9
Wall Bar	10-11
<b>Adjustment</b>	
Hot Water Limiter Adjustment	12
Operating your Shower	13
Cleaning	13
Spare Parts	14-15
Trouble Shooting	16
Warranty	16

If there are any queries regarding this product or its installation, please contact the Hansgrohe technical hotline: **0870 7701975**

---

## Safety and Important Information

Hansgrohe products are safe provided they are installed, used and maintained in accordance with these instructions and recommendations.

Please read these instructions thoroughly and retain for future use.

The plumbing installation of this shower must comply with the requirements of UK Water Regulations/Bylaws (Scotland), Building Regulations or any other regulations specified by the local Water Authority and supplier.

We strongly recommend that you use a plumber registered with or a member of an Association:

Institute of Plumbing (IOP) - throughout the UK  
National Association of Plumbing, Heating and Mechanical Services Contractors (NAPH & MSC) - England & Wales  
Water Industry Approved Plumber Scheme (WIAPS)

Dispose of plastic bags carefully

Keep children well away from the work area.

Check for hidden pipes and cables in the wall before drilling holes.

The unit must be mounted on a finished waterproofed wall surface (usually tiles).

If you are using power tools (e.g. to drill holes) wear safety glasses and always disconnect tools from the power supply after use.

Do not operate the shower unit if the hand shower or spray hose has been damaged or is blocked.

Do not block the flow of water from the hand shower, by placing it on your hand or any other part of your body or foreign object.

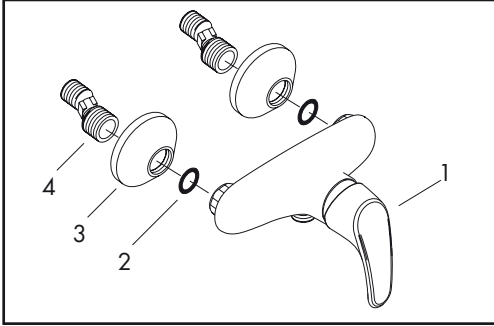
The bath & shower mixer unit should be serviced annually by a qualified person to ensure maximum safety during use.

The mixer incorporates check valves (page 14 pos. 7).

The fitting of isolation valves is required (preferred location page 6 and 7 Installation Requirements)

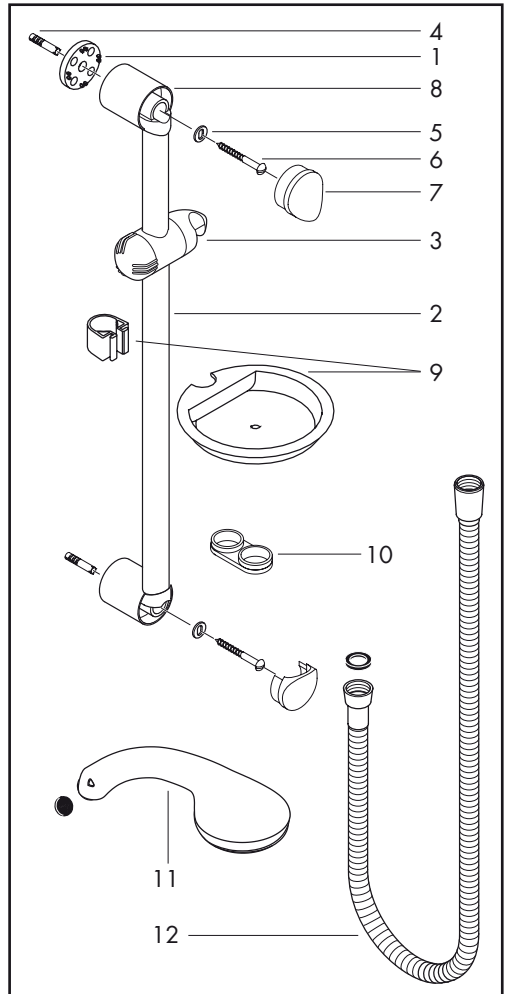
## Pack Contents

Please check that you have been supplied with the following:



### Avista Shower Set

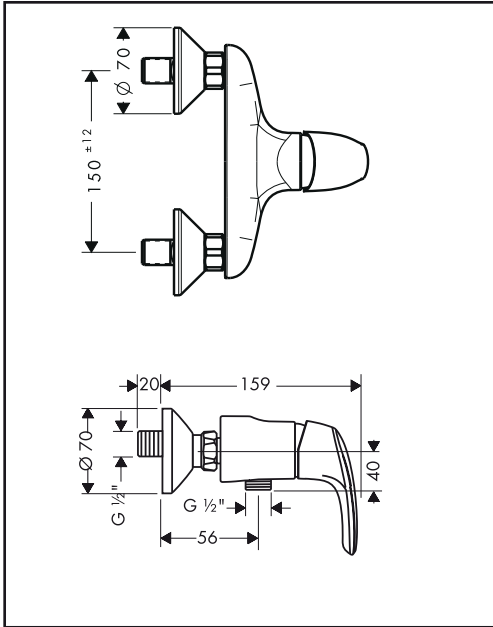
- 1 Shower mixer
- 2 Fibre washers
- 3 Escutcheons
- 4 S-unions



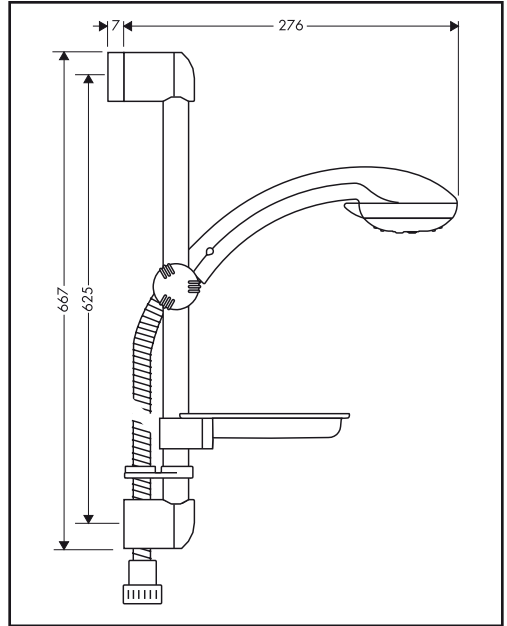
### Marin Wall Bar

- 1 Wall bar ends (fitted)
- 2 Wall bar
- 3 Hand shower cursor
- 4 Wall plugs
- 5 Washers
- 6 50 mm fixing screws
- 7 Wall bar end caps
- 8 Wall bar end spacer
- 9 Soap tray & bracket
- 10 Hose retaining ring
- 11 Hand shower Marin Variojet
- 12 Hose

## Dimensions



**Avista Shower Mixer**



**Wall Bar, Hand Shower & Hose**

## Technical Data

### Sportive<sup>2</sup> / Avista / Status Bath & Shower Set

Operating pressure:	max. 1 MPa
Recommended operating pressure:	0,1 - 0,5 MPa
Test pressure:	1,6 MPa
Hot water temperature:	max. 80° C
Recommended hot water temp.:	65° C
Centre distance:	150 ± 12 mm
Connections G 1/2:	cold right - hot left
Rate of flow 0,3 MPa:	approx. 22 l/min
(1 MPa = 10 bar = 147 PSI)	
Anti-pollution function	
Hot water connection:	Left hand
Cold water connection:	Right hand
Minimum difference between hot water and mixed water temperature:	6 K
Hot and cold supply pressure should be balanced	

# Installation Requirements

This shower mixer valve must be installed in compliance with current Water Regulations. If you have any doubts about the Water Regulation requirements contact your local water services provider or use the services of a professional plumber.

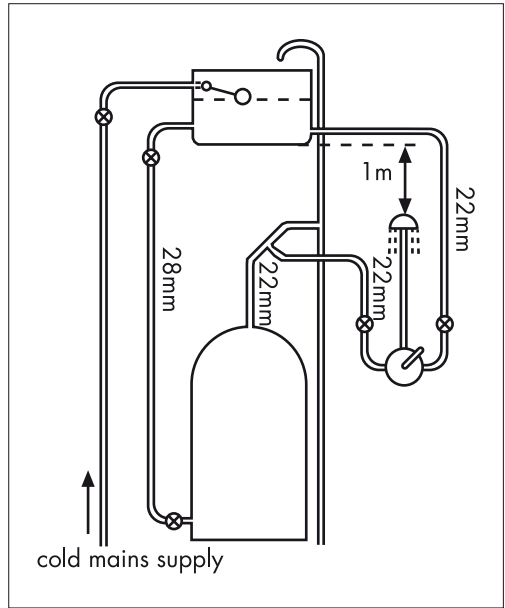
This mixer valve is suitable for use with the following water supply systems:

- Gravity Fed Hot and Cold (pressure balanced) 0.1 - 1.0 bar
- Gas Combination Boiler (multi-point) 1.0 - 10 bar\*
- Unvented System (pressure balanced) 1.0 - 10 bar
- Pumped System 1.0 - 10 bar

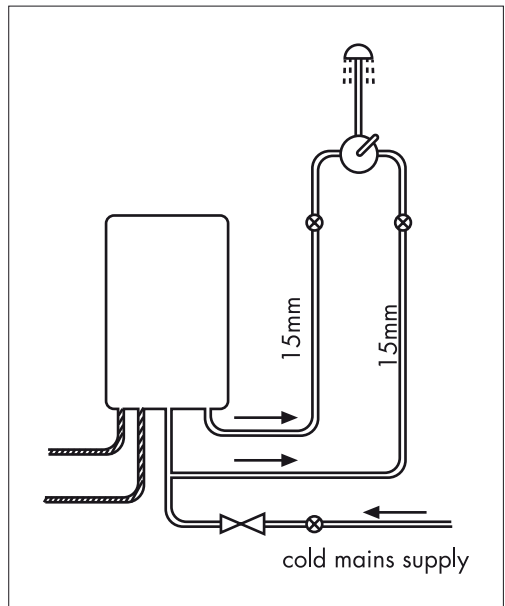
**IMPORTANT:** If you install this mixer with a gravity fed system, there must be a minimum head (vertical distance) from the underside of the cold water storage tank to the showerhead position of at least 1 metre.

Before connecting the mixer, water should be flushed through the system to remove all debris that might otherwise damage the valve.

\* If pressure is in excess of 3.5 bar, a pressure-reducing valve should be fitted.



Gravity Fed Hot and Cold (pressure balanced)



Gas Combination Boiler (multi-point)

## KEY



Isolating valve



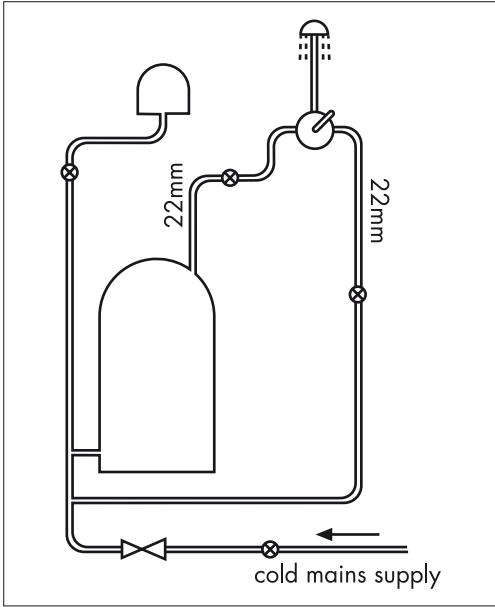
Reducing valve



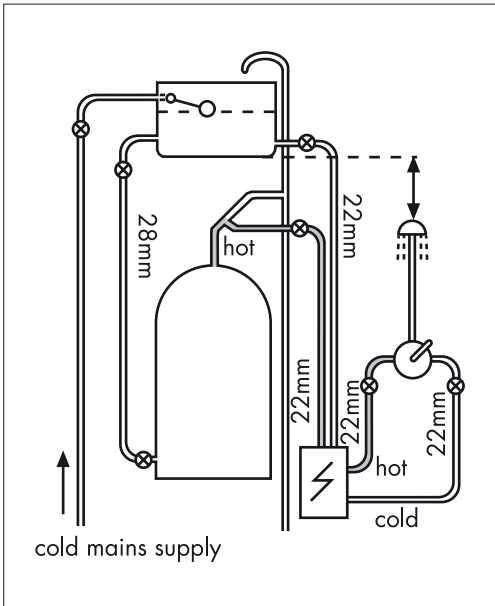
Mixer Valve



Pump



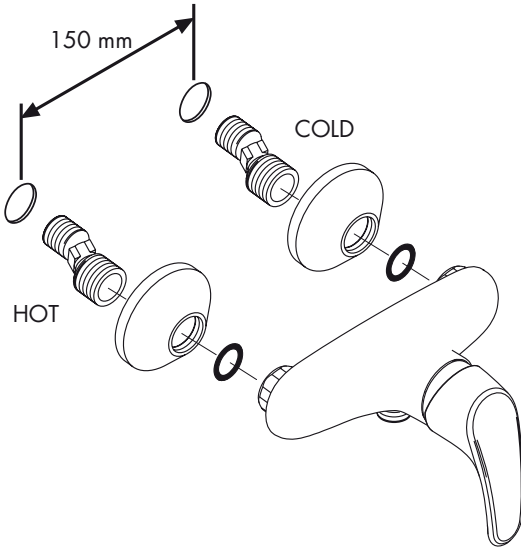
Unvented System (pressure balanced)



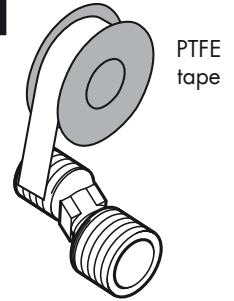
Pumped System

# Installation

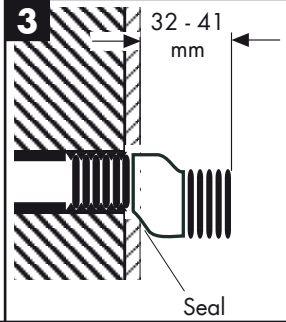
## 1 Shower Mixer



## 2



## 3

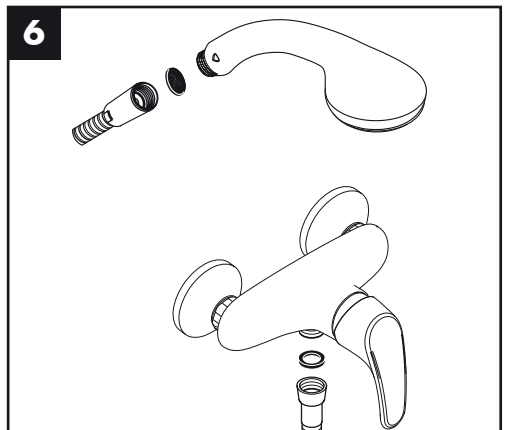
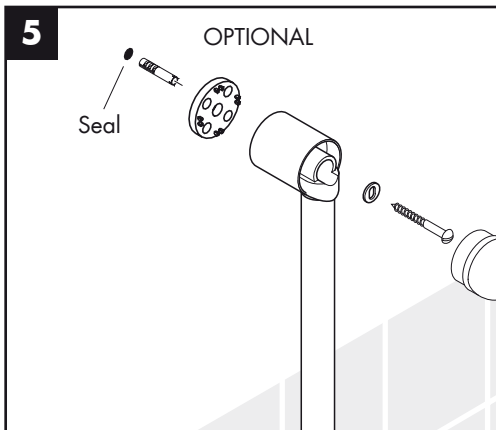
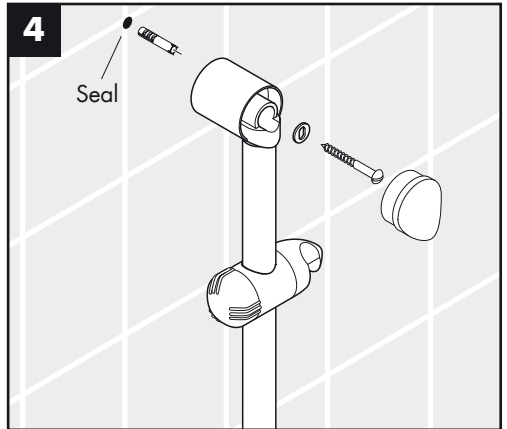
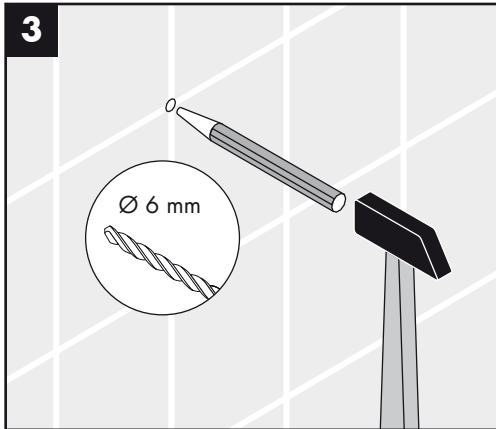
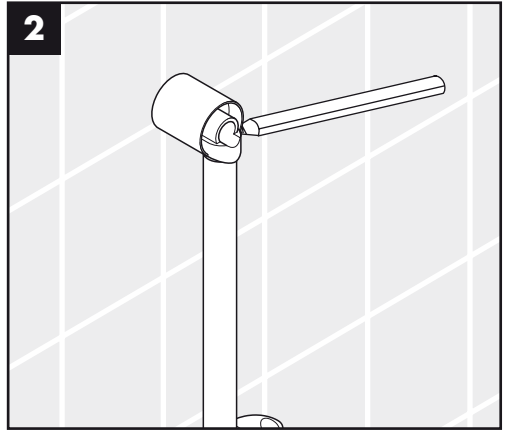
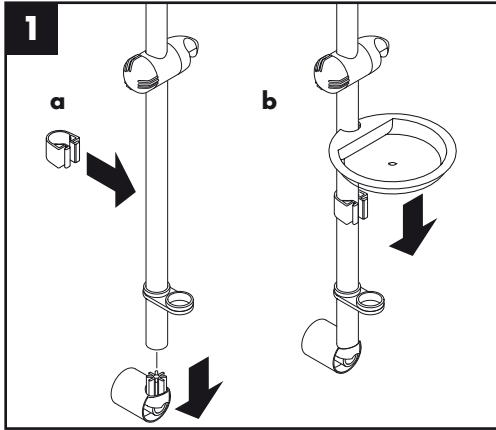


---

## Shower Mixer

1. The hot and cold water outlets should be 150mm apart (plus or minus 12mm). Hot on the left and cold on the right (fig. 1). The recommended plumbing fittings are ½" back plate elbows (not supplied).
2. Flush through the hot and cold water supplies.
3. Wrap PTFE tape round the S-unions and screw into the backplate elbows. The S-unions must protrude beyond the tiled surface between 32 and 41 mm (figs.2-3).
4. Seal the gap between the S-unions and the tiles (fig.3).
5. Screw the escutcheons onto the S-unions.
6. Fasten the mixer onto the S-unions using the union nuts. Align the unit and tighten the nuts (be careful not to damage the chrome finish). The S-unions allow inaccuracies to be compensated for.

# Installation



---

Where the contractor mounts the product, he should ensure that the entire area of the wall to which the mounting plate is to be fitted, is flat (no projecting joints or tiles sticking out), that the structure of the wall is suitable for the installation of the product and has no weak points.

The enclosed screws and dowels are only suitable for concrete. For another wall constructions the manufacturer's indications of the dowel manufacturer have to be taken into account.

1. Remove the lower wall bar end and slide the soap tray and hose retaining ring onto the bar. Push fit the soap tray bracket onto the bar and slide the tray down onto the bracket. Re-fit the wall bar end (fig.1).
2. Place the wall bar in the required position against the wall. Mark the fixing hole positions through the wall bar ends (ensure the wall bar is vertical) (fig.2).
3. Remove the wall bar. Using a centre punch mark the hole positions and using a 6mm suitable drill bit drill a hole to a depth of 45mm (fig.3).

Handy Hint: Mark the drill hole positions on a piece of masking tape on the wall. The drill bit will be less likely to slip when you start drilling.

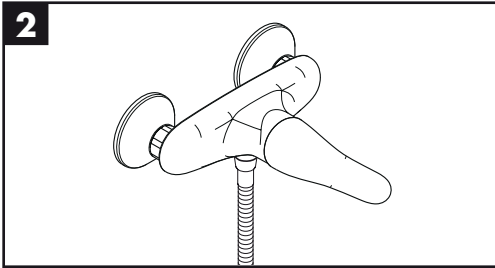
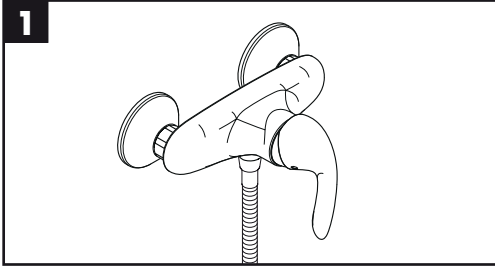
4. Insert wall plugs into the holes (beyond the depth of the tiles) and seal around the hole. Fix the wall bar in position using the 50mm fixing screws and washers. Push-fit the wall bar end covers (fig.4).
5. **OPTIONAL**  
If one end of the wall bar is fitted onto tiles and the other end is not, the wall bar end spacer can be positioned as shown to level the wall bar (fig.5).
6. Attach the hose to the hand shower head ensuring a mesh washer is inserted (where shown) to protect against any incoming dirt. Attach the other end of the hose to the connection on the mixer ensuring a rubber washer is inserted where shown (fig.6).

Place the hand shower into the hand shower slider.



## Operating your Shower

The mixer is actuated by lifting the lever head. Swivel to the left = hot water (fig. 1), swivel to the right = cold water (fig. 2).



## Cleaning

### Cleaning materials for Mixers and Showers

Acids are necessary ingredients of cleaning materials for removing lime. However please pay particular attention to the following points when cleaning mixers and showers:

Only use cleaning material specifically intended for this type of cleaning - such as Hansgrohe's Decalcifying Agent, available through the specialist sanitary trade.

Never use cleaning materials which contain hydrochloric, formic or acetic acid, as they cause considerable damage.

Never use Phosphoric acid as it can cause damage.

Never mix any cleaning material with another. Never use cleaning materials on appliances with an abrasive effect, such as unsuitable cleaning powders, sponge pads or micro fibre cloths.

### Cleaning Instructions for Mixers and Showers

Please follow the cleaning materials manufacturer's instructions. In addition pay attention to the following points:

Clean the mixers and showers as and when required.

The cleaning dosage and time the cleaner needs to take effect should be adjusted according to the product and the cleaner should not be left longer than necessary.

Regular cleaning can prevent calcification.

When using spray cleaner, spray first into a cloth or sponge never directly onto the sanitary tapware, as drops could enter openings and gaps and cause damage.

After cleaning, rinse thoroughly with clean water to remove any cleaner residue.

### Important

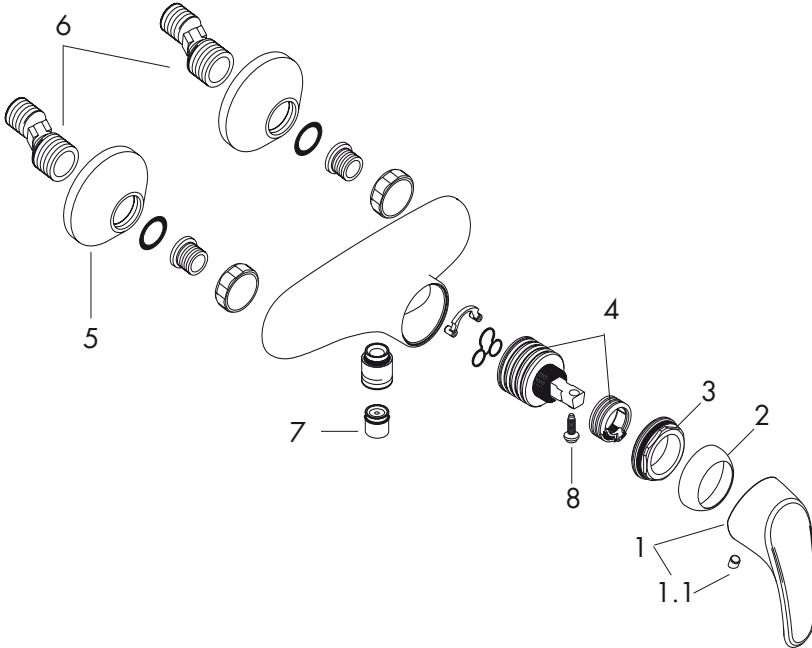
Residues of liquid soaps, shampoos and shower foams can also cause damage, so rinse with clean water after use.

If the surface is already damaged, the effect of cleaning materials will cause further damage.

**Damage caused by improper treatment will not be covered by our guarantee.**

# Spare Parts

## Shower Mixer

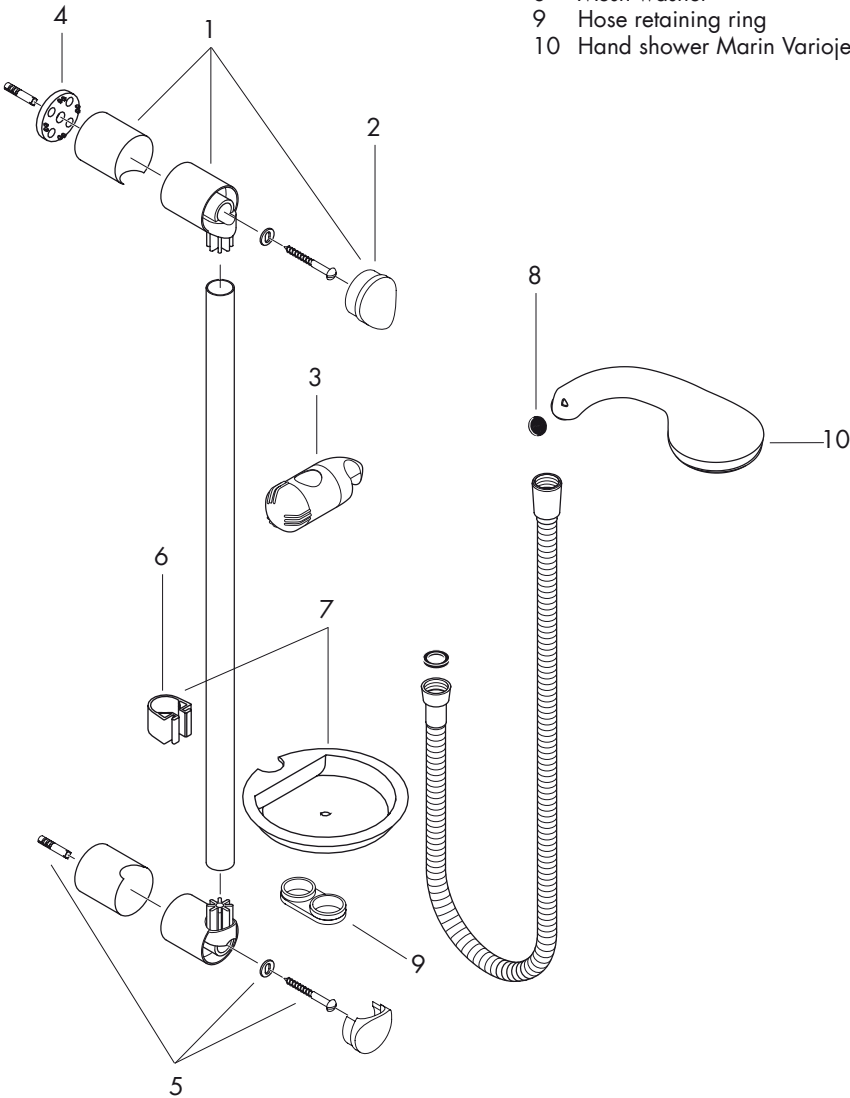


1	handle	31792000
1.1	screw cover	96338000
2	flange	96656000
3	nut	96690000
4	cartridge cpl.	92730000
5	flange	94135000
6	S-unions (2)	94140000
7	non return valve DW 15	94074000
8	locking screw for handle	96059000

# Spare Parts

## Marin Wall Bar, Hand Shower & Hose

1	Wall bar end	96191000
2	Wall bar end cap	94051000
3	Support	97351000
4	Tile-matching-disk	96184000
5	Mounting set	96179000
6	clips for Cassetta U'88, Ø 22 mm	96189000
7	Shelf Cassetta U'88	28684000
8	Mesh washer	94246000
9	Hose retaining ring	28072000
10	Hand shower Marin Variojet	28306000



---

# Trouble Shooting

<b>Fault</b>	<b>Cause</b>	<b>Remedy</b>
Insufficient water	- Shower filter seal dirty - Non return valve didn't move back	- Clean filter seal between shower and hose - Exchange non return valves
Mixer stiff	- Cartridge defective, calcified	- Exchange cartridge
Mixer dripping	- Cartridge defective	- Exchange cartridge
Hot water temperature too low	- Hot water limiter incorrectly set	- Set hot water limiter
Instantaneous heater didn't work	- Flow limiter in handshower isn't removed - Filter are dirty - Non return valve didn't move back	- Remove flow limiter - Clean the filter/exchange filter - Exchange non return valves

## Warranty

You have purchased a quality product from Hansgrohe. All parts which show any kind of fault as far as construction, material or assembly are concerned within the first 24 months after installation, we will repair or exchange the part in question free of charge. Faulty items become our property.

We do not grant warranty for faults caused by:

unsuitable or improper use; incorrect assembly; installation started and/or completed by a non-qualified plumber, natural wear out, improper or careless treatment, lack of maintenance; unsuitable usage; chemical, electro-chemical or electrical influences.

## Technical Hotline

**0 870 7701975**

## E-mail

[Technical@hansgrohe.co.uk](mailto:Technical@hansgrohe.co.uk)

**hansgrohe**