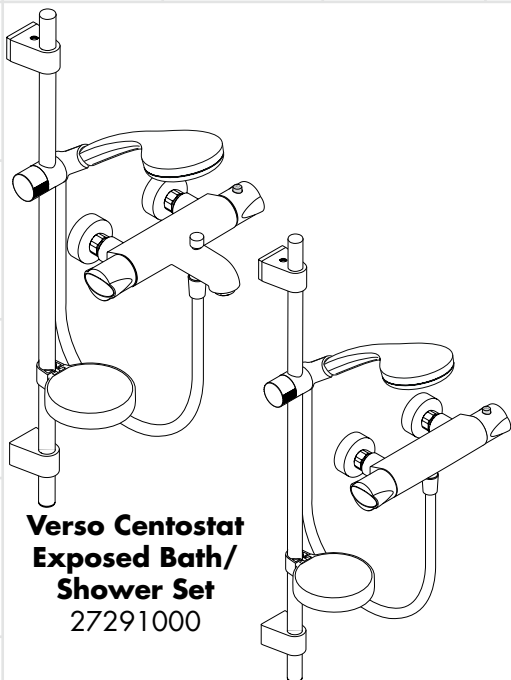
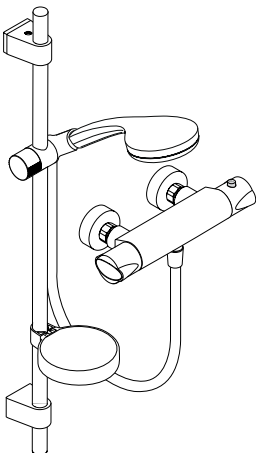


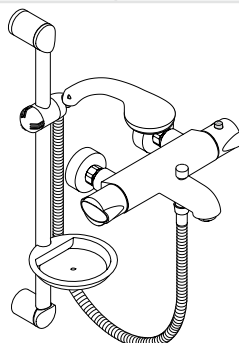
Installation Instructions



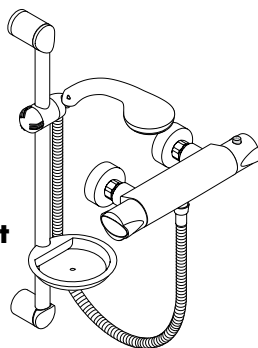
**Verso Centostat
Exposed Bath/
Shower Set**
27291000



**Verso Centostat
Exposed Shower Set**
27091000



**Marin Centostat
Exposed Bath/
Shower Set**
27094000

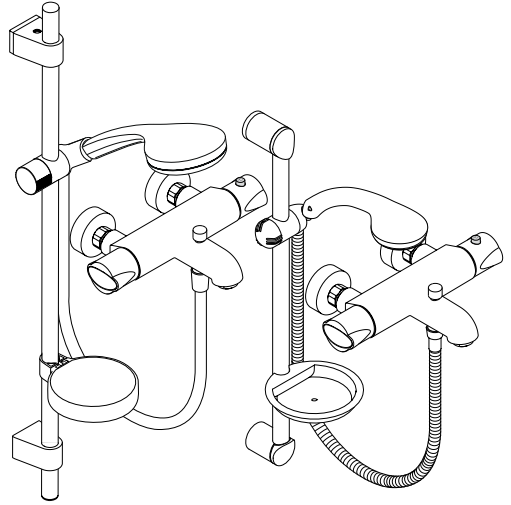


**Marin Centostat
Exposed Shower Set**
27096000

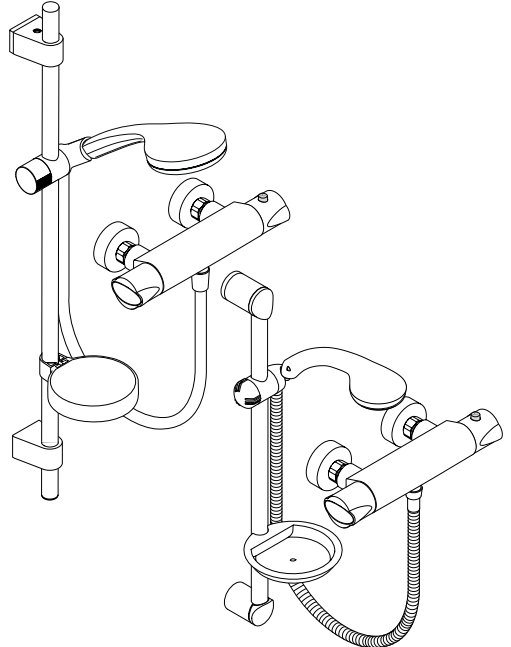
hansgrohe

Contents

Safety and Important Information	3
Pack Contents	4-5
Dimensions	6
Technical Data	7
Supply Conditions TMV2	7
Supply Conditions TMV3	7
Installation Requirements	8-9
Installation	
Thermostat	10-11
Wall Bar 27091000 / 27291000	12-13
Wall Bar 27094000 / 27096000	14-15
Commissioning and in-service tests	
Commissioning	16
In-service tests	17
Frequency of in-service tests	17
Thermostatic Adjustment	
Temperature Limitation	18
Calibrating Thermostat	18
Setting Thermostat Max. Temp.	19
Operating your Shower	20
Cleaning	21
Spare Parts	22-25
Trouble Shooting	26
Warranty	26



The **Verso + Marin Centostat Exposed Bath / Shower Set 27094000 / 27291000** meets the requirements of the **TMV2 and TMV3 Scheme**.



The **Verso + Marin Centostat Exposed Shower Sets 27091000 / 27096000** meets the requirements of the **TMV2 and TMV3 Scheme**.

If there are any queries regarding this product or its installation, please contact the Hansgrohe technical hotline: **0870 7701975**

Safety and Important Information

Hansgrohe products are safe provided they are installed, used and maintained in accordance with these instructions and recommendations.

Please read these instructions thoroughly and retain for future use.

The plumbing installation of this shower must comply with the requirements of UK Water Regulations/Bylaws (Scotland), Building Regulations or any other regulations specified by the local Water Authority and supplier.

We strongly recommend that you use a plumber registered with or a member of an Association:

Institute of Plumbing (IOP) - throughout the UK
National Association of Plumbing, Heating and Mechanical Services Contractors (NAPH & MSC) - England & Wales
Water Industry Approved Plumber Scheme (WIAPS)

Dispose of plastic bags carefully

Keep children well away from the work area.

Check for hidden pipes and cables in the wall before drilling holes.

The unit must be mounted on a finished waterproofed wall surface (usually tiles).

If you are using power tools (e.g. to drill holes) wear safety glasses and always disconnect tools from the power supply after use.

Do not operate the shower unit if the hand shower or spray hose has been damaged or is blocked.

Do not block the flow of water from the hand shower, by placing it on your hand or any other part of your body or foreign object.

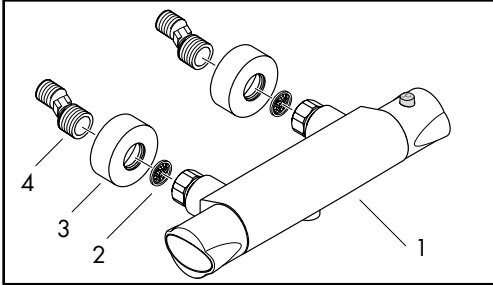
The thermostatic unit should be serviced annually by a qualified person to ensure maximum safety during use.

The mixer incorporates check valves (page 22 pos. 5 / page 23 pos. 8) and filters (page 22 pos 6 / page 23 pos. 9).

The fitting of isolation valves is required (preferred location page 8 and 9 Installation Requirements)

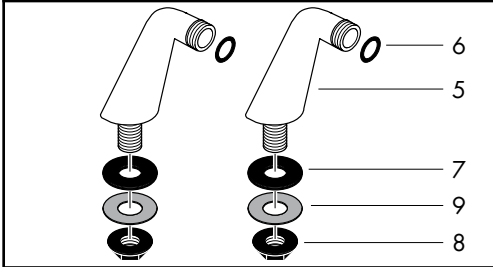
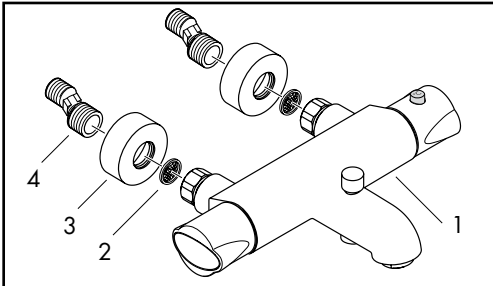
Pack Contents

Please check that you have been supplied with the following:



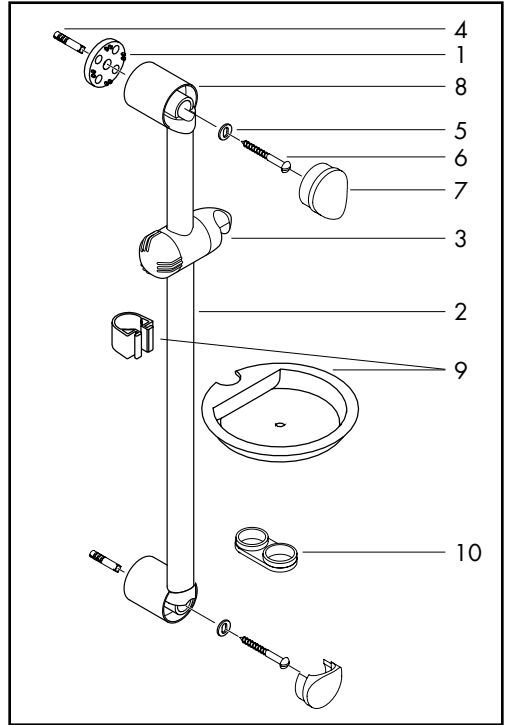
Verso + Marin Centostat Shower

- 1 Centostat
- 2 Mesh washers
- 3 Escutcheons
- 4 S-unions



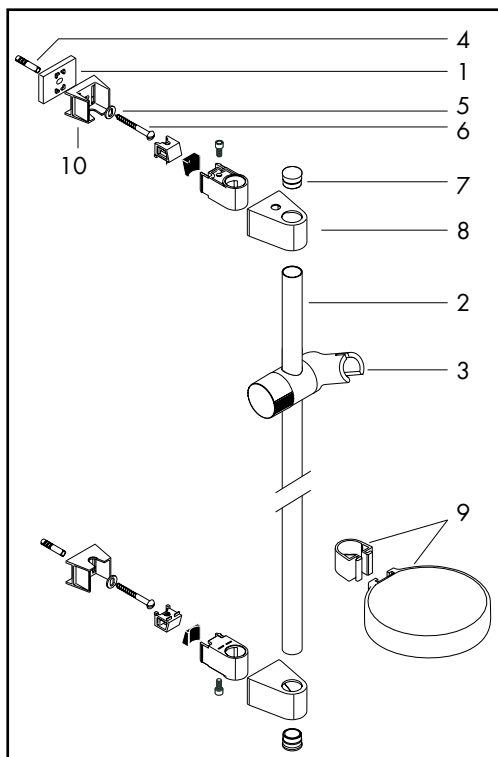
Verso + Marin Centostat Bath/Shower

- 1 Centostat
- 2 Mesh washers
- 3 Escutcheons
- 4 S-unions
- 5 Pillar unions
- 6 Small seals
- 7 Large seals
- 8 Fixing nuts
- 9 Fibre washers



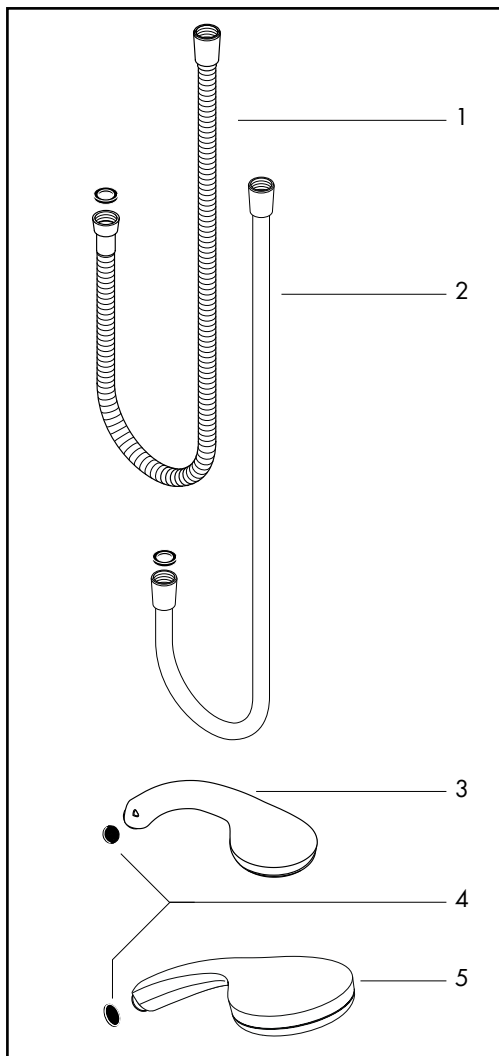
Marin Wall Bar

- 1 Wall bar ends (fitted)
- 2 Wall bar
- 3 Hand shower cursor
- 4 Wall plugs
- 5 Washers
- 6 50 mm fixing screws
- 7 Wall bar end caps
- 8 Wall bar end spacer
- 9 Soap tray & bracket
- 10 Hose retaining ring



Verso Wall Bar

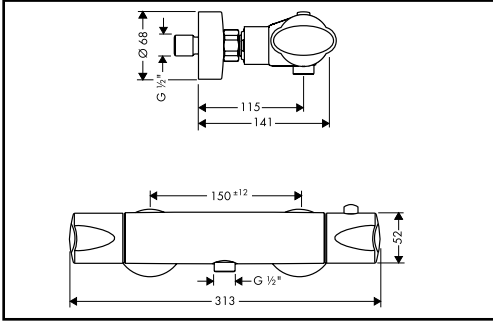
- 1 Wall bar ends (fitted)
- 2 Wall bar
- 3 Hand shower cursor
- 4 Wall plugs
- 5 Washers
- 6 50 mm fixing screws
- 7 Wall bar end caps
- 8 Wall bar end spacer
- 9 Soap tray & bracket
- 10 Wall bar support



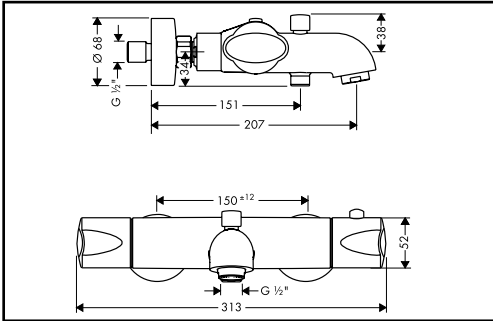
Hand Shower & Hoses

- 1 Hose Marin
- 2 Hose Verso
- 3 Marin hand shower
- 4 Mesh washer
- 5 Verso hand shower

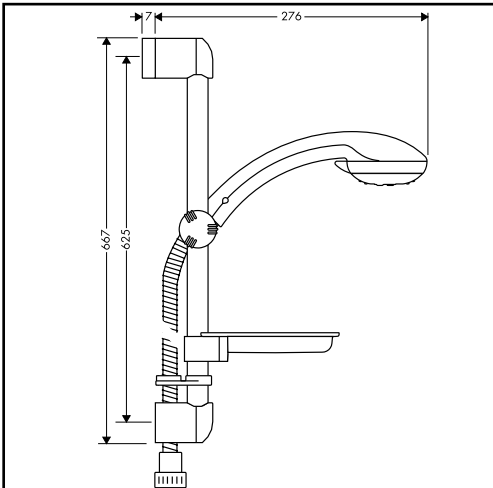
Dimensions



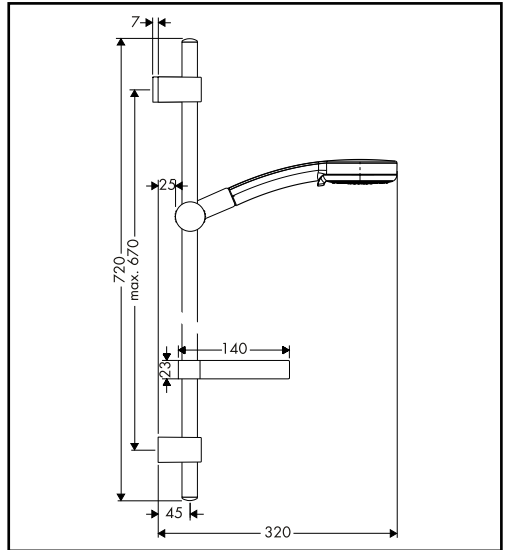
Verso + Marin Centostat Shower



Verso + Marin Centostat Bath / Shower



Wall Bar, Hand Shower & Hose



Wall Bar, Hand Shower & Hose

Technical Data

Verso + Marin Centostat

This thermostatic valve will suit supplies of:
HIGH PRESSURE (HP-S)

Operating pressure:	max. 10 bar
Recommended operating pressure:	0.2 - 5 bar
Test pressure:	16 bar
Hot water temperature:	max. 80°C
Recommended hot water temp.:	65°C
Rate of flow from bath spout:	58 l/min. @ 3 bar
Rate of flow from shower outlet:	18 l/min. @ 3 bar
Maximum outlet temperature:	43°C +/-*
Safety check:	40°C
Hot water connection:	Left hand
Cold water connection:	Right hand
Minimum difference between hot water and mixed water temperature:	6 K
Hot and cold supply pressure should be balanced	

Mixed water temperature

Application	Mixed water temperature (at point of discharge)
Bidet	38°C max.
Shower	41°C max.
Washbasin	41°C max.
Bath (44°C fill)	44°C max.
Bath (46°C fill)	46°C max.
Bath / Shower	41°C max.

* For preset outlet temperature adjustment – See page 14 „Commisioning“.

NB. If a water supply is fed by gravity then the supply pressure should be verified to ensure the conditions of use are appropriate for the valve. Valves operating outside of these supply conditions cannot be guaranteed to operate as a TMV2 or TMV3 valve.

Supply Conditions TMV2

Operating pressure range

Maximum static pressure - bar
Flow pressure, hot and cold - bar
Hot supply temperature - °C
Cold supply temperature - °C

High pressure

10
1 to 5
55 to 65
5 to 25

Supply Conditions TMV3

Operating pressure range

Maximum static pressure - bar
Flow pressure, hot and cold - bar
Hot supply temperature - °C
Cold supply temperature - °C

High pressure

10
1 to 5
52 to 65
5 to 20

Designations of use TMV3

Verso + Marin Centostat Shower
Marin Centostat + Bath / Shower

HP-S, HP-T44, LP-S, LP-T44
HP-S, LP-S

Installation Requirements

This thermostatic mixer valve must be installed in compliance with current Water Regulations. If you have any doubts about the Water Regulation requirements contact your local water services provider or use the services of a professional plumber.

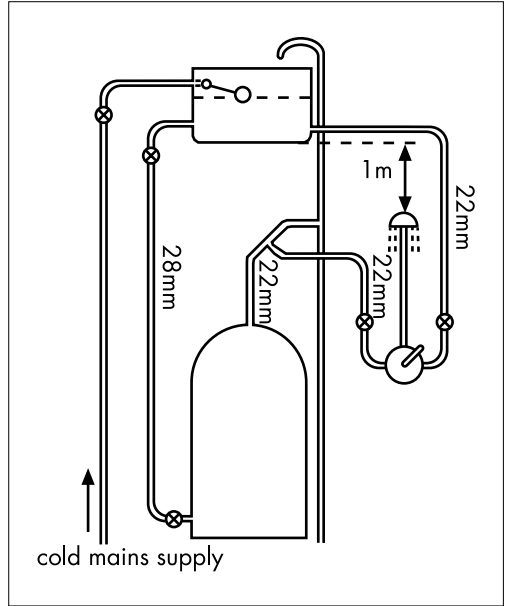
This mixer valve is suitable for use with the following water supply systems:

- Gravity Fed Hot and Cold (pressure balanced) 0.1 - 1.0 bar
- Gas Combination Boiler (multi-point) 1.0 - 10 bar*
- Unvented System (pressure balanced) 1.0 - 10 bar
- Pumped System 1.0 - 10 bar

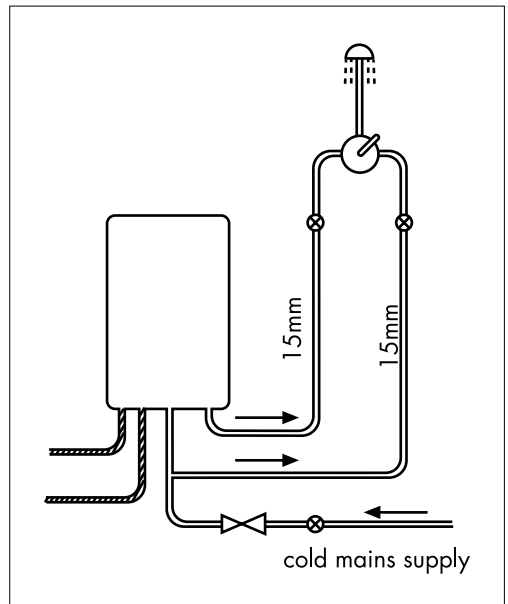
IMPORTANT: If you install this mixer with a gravity fed system, there must be a minimum head (vertical distance) from the underside of the cold water storage tank to the showerhead position of at least 1 metre.

Before connecting the mixer, water should be flushed through the system to remove all debris that might otherwise damage the valve.

* If pressure is in excess of 3.5 bar, a pressure-reducing valve should be fitted.



Gravity Fed Hot and Cold (pressure balanced)



Gas Combination Boiler (multi-point)

KEY



Isolating valve



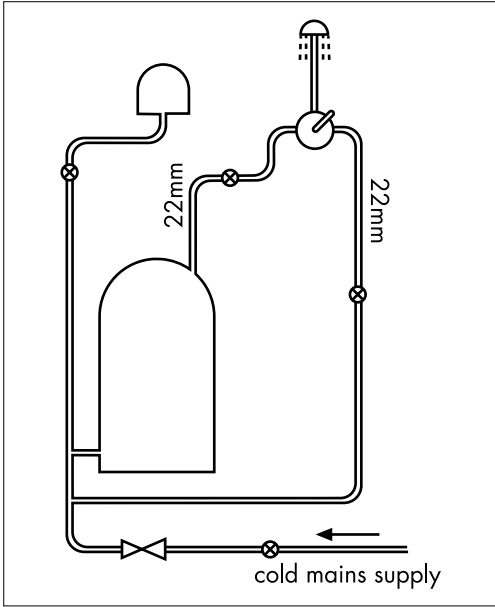
Reducing valve



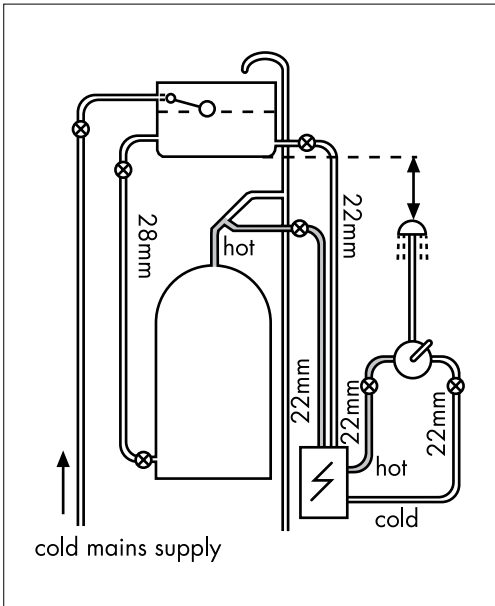
Mixer Valve



Pump



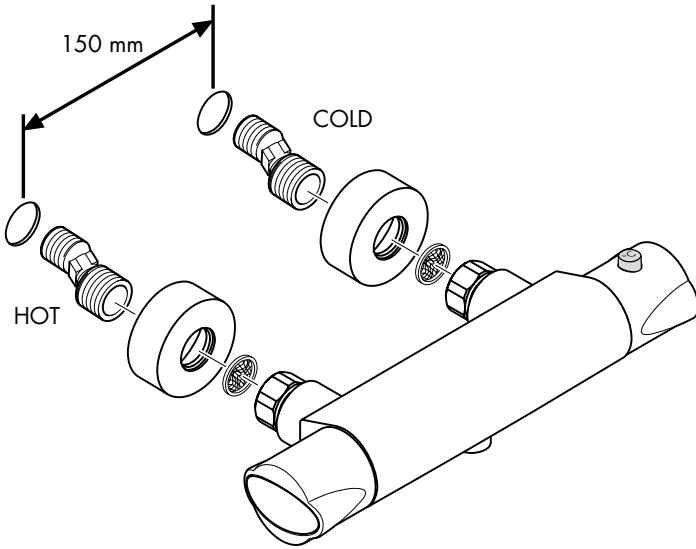
Unvented System (pressure balanced)



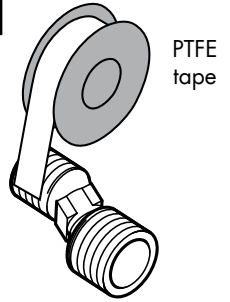
Pumped System

Installation

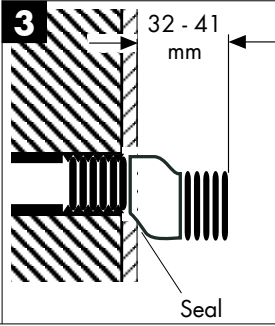
1 Shower Thermostat



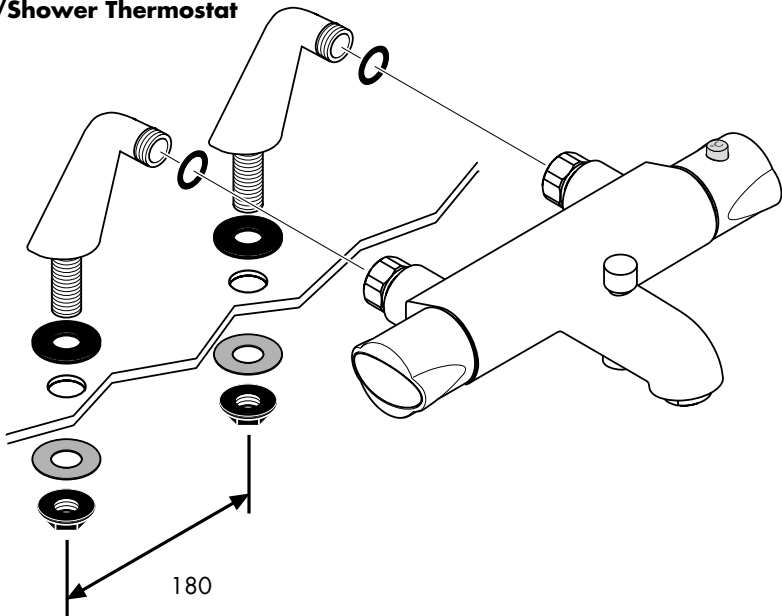
2



3



4 Bath/Shower Thermostat



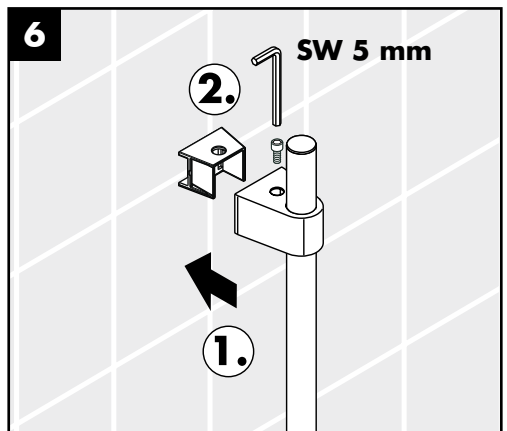
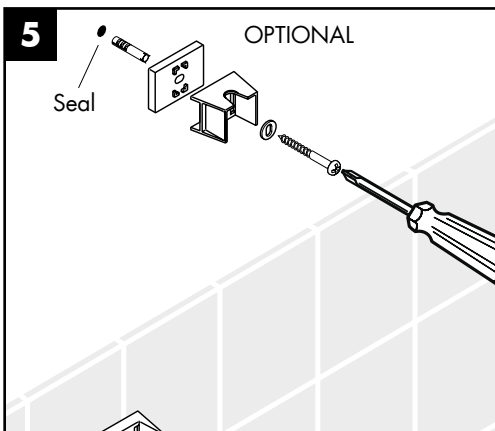
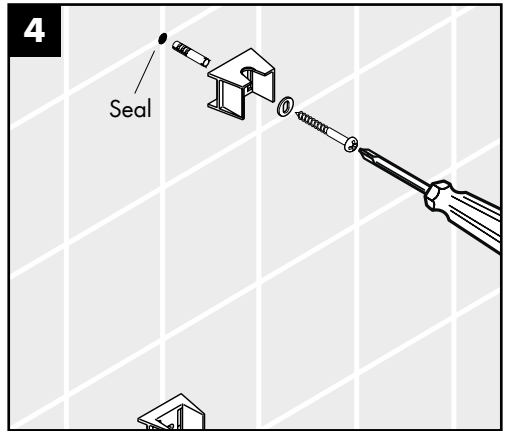
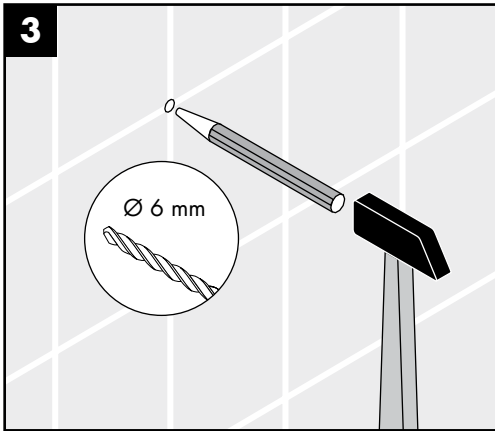
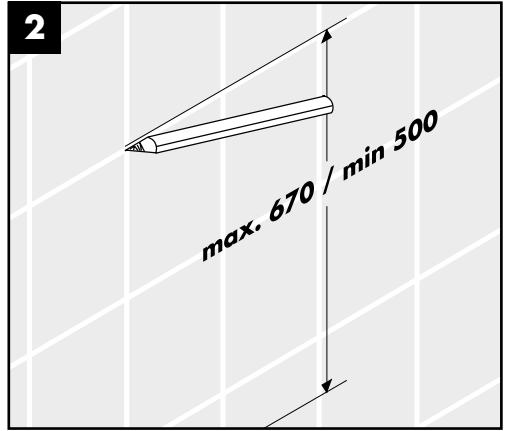
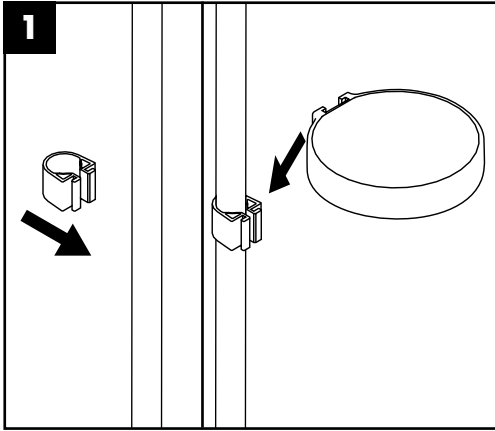
Shower Thermostat

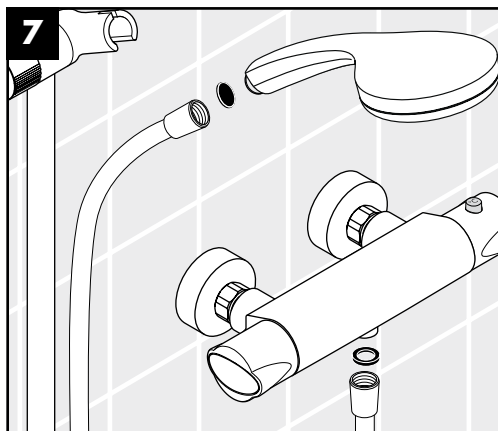
1. The hot and cold water outlets should be 150mm apart (plus or minus 12mm). Hot on the left and cold on the right (fig. 1). The recommended plumbing fittings are ½" back plate elbows (not supplied).
2. Flush through the hot and cold water supplies.
3. Wrap PTFE tape round the S-unions and screw into the backplate elbows. The S-unions must protrude beyond the tiled surface between 32 and 41mm (figs.2-3).
4. Seal the gap between the S-unions and the tiles (fig.3).
5. Screw the escutcheons onto the S-unions.
6. Fasten the thermostatic mixer onto the S-unions using the union nuts. Align the unit and tighten the nuts (be careful not to damage the chrome finish). The S-unions allow inaccuracies to be compensated for.

Bath/Shower Thermostat

Two options

- a. As the shower thermostat above (positioned over a bath).
 - b. Fitting to the bath using the supplied pillar unions.
1. The pillar unions are designed to fit tap holes on a bath 180mm apart with hot on the left and cold on the right (fig.4).
 2. Flush through the hot and cold water supplies.
 3. Place fibre washers into the holes of the chrome union nuts. (DO NOT USE FILTERS WHEN USING PILLAR UNIONS!)
- From under the bath fit a large seal washer over the thread then fix with the nuts.
4. Fasten the mixer onto the union pillars using the union nuts (be careful not to damage the chrome finish).





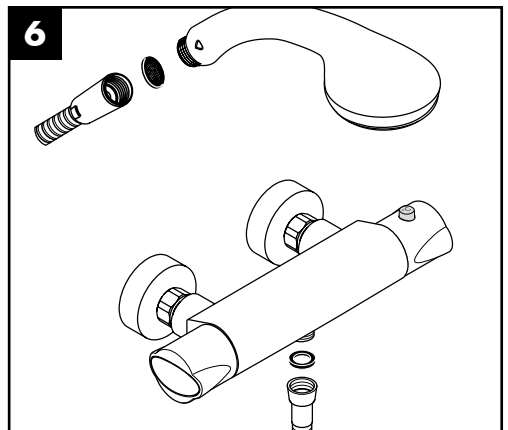
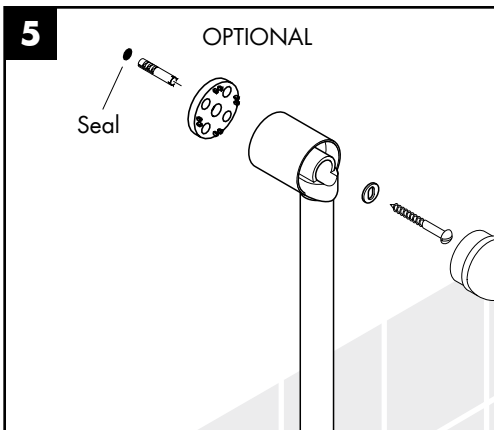
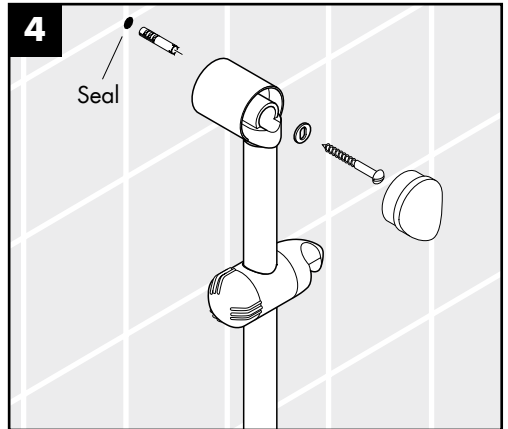
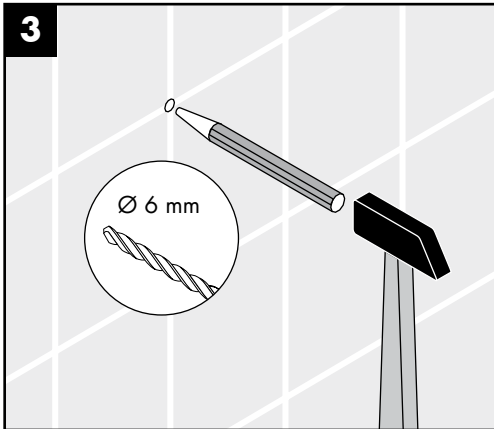
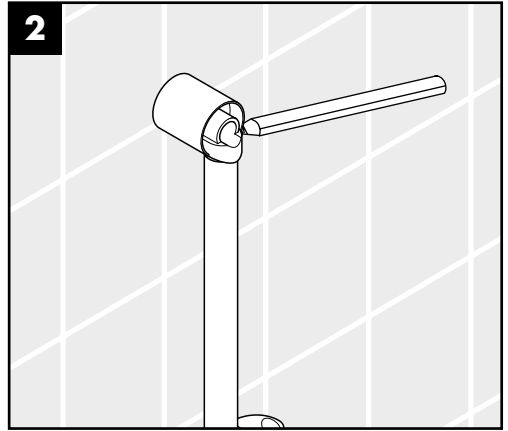
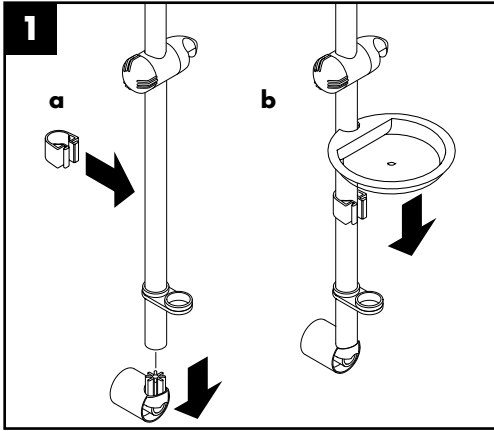
Where the contractor mounts the product, he should ensure that the entire area of the wall to which the mounting plate is to be fitted, is flat (no projecting joints or tiles sticking out), that the structure of the wall is suitable for the installation of the product and has no weak points.

The enclosed screws and dowels are only suitable for concrete. For another wall constructions the manufacturer's indications of the dowel manufacturer have to be taken into account.

1. Push fit the soap tray bracket onto the bar and slide the tray down onto the bracket (fig. 1).
2. Measure the desired space for the fixation points of the wall support. Adjust the dimensions to the tile pattern if required (fig. 2).
3. Using a centre punch mark the hole positions and using a 6mm suitable drill bit drill a hole to a depth of 45mm (fig.3).

Handy Hint: Mark the drill hole positions on a piece of masking tape on the wall. The drill bit will be less likely to slip when you start drilling.

4. Insert wall plugs into the holes (beyond the depth of the supports) and seal around the hole. Fix the wall bar in position using the 50mm fixing screws and washers. (fig. 4).
5. OPTIONAL: If one end of the wall bar is fitted onto tiles and the other end is not, the wall bar end spacer can be positioned as shown to level the wall bar (fig.5).
6. Place the wall bar at the supports and fix it with a 5 mm hex wrench (fig. 6).
7. Attach the hose to the hand shower head ensuring a mesh washer is inserted (where shown) to protect against any incoming dirt. Attach the other end of the hose to the connection on the mixer ensuring a rubber washer is inserted where shown. Place the hand shower into the hand shower slider (fig.7).



Where the contractor mounts the product, he should ensure that the entire area of the wall to which the mounting plate is to be fitted, is flat (no projecting joints or tiles sticking out), that the structure of the wall is suitable for the installation of the product and has no weak points.

The enclosed screws and dowels are only suitable for concrete. For another wall constructions the manufacturer's indications of the dowel manufacturer have to be taken into account.

1. Remove the lower wall bar end and slide the soap tray and hose retaining ring onto the bar. Push fit the soap tray bracket onto the bar and slide the tray down onto the bracket. Re-fit the wall bar end (fig.1).
2. Place the wall bar in the required position against the wall. Mark the fixing hole positions through the wall bar ends (ensure the wall bar is vertical) (fig.2).
3. Remove the wall bar. Using a centre punch mark the hole positions and using a 6mm suitable drill bit drill a hole to a depth of 45mm (fig.3).

Handy Hint: Mark the drill hole positions on a piece of masking tape on the wall. The drill bit will be less likely to slip when you start drilling.

4. Insert wall plugs into the holes (beyond the depth of the tiles) and seal around the hole. Fix the wall bar in position using the 50mm fixing screws and washers. Push-fit the wall bar end covers (fig.4).
5. **OPTIONAL**
If one end of the wall bar is fitted onto tiles and the other end is not, the wall bar end spacer can be positioned as shown to level the wall bar (fig.5).
6. Attach the hose to the hand shower head ensuring a mesh washer is inserted (where shown) to protect against any incoming dirt. Attach the other end of the hose to the connection on the mixer ensuring a rubber washer is inserted where shown (fig.6).

Place the hand shower into the hand shower slider.

Commissioning and in-service tests

Commissioning

Purpose

Since the installed supply conditions are likely to be different from those applied in the laboratory tests it is appropriate, at commissioning, to carry out some simple checks and tests on each mixing valve to provide a performance reference point for future in-service tests.

Procedure

1. Check that:
 - a) the designation of the thermostatic mixing valve matches the intended application
 - b) the supply pressures are within the range of operating pressures for the designation of the valve
 - c) the supply temperatures are within the range permitted for the valve and by guidance information on the prevention of legionella etc.

2. Adjust the temperature of the mixed water in accordance with the manufacturer's instructions and the requirement of the application and then carry out the following sequence:
 - a) record the temperature of the hot and cold water supplies
 - b) record the temperature of the mixed water at the largest draw-off flow rate
 - c) record the temperature of the mixed water at a smaller draw-off flow rate, which shall be measured
 - d) isolate the cold water supply to the mixing valve and monitor the mixed water temperature
 - e) record the maximum temperature achieved as a result of (d) and the final stabilised temperature

NOTE: The final stabilised mixed water temperature should not exceed the values in Table A.

- f) record the equipment, thermometer etc. used for the measurements

Table A: Guide to maximum stabilised temperatures recorded during site tests

Application	Mixed water temperature
Shower	43°C
Washbasin	43°C
Bath (44°C fill)	46°C
Bath (46°C fill)	48°C

In-service tests

Purpose

The purpose of in-service tests is to regularly monitor and record the performance of the thermostatic mixing valve. Deterioration in performance can indicate the need for service work on the valve and / or the water supplies.

Procedure

1. Carry out the procedure **2.** (a) to (c) on page 10 using the same measuring equipment, or equipment to the same specifications.
2. If the mixed water temperature has changed significantly from the previous test results (e.g. > 1 K), record the change and before re-adjusting the mixed water temperature check:
 - a) that any in-line or integral strainers are clean
 - b) any in-line or integral check valves or other anti-backsiphonage devices are in good working order
 - c) any isolating valves are fully open
3. With an acceptable mixed water temperature, complete the procedure **2.** (a) to (c) on page 10.
4. If at step **2.** (e) on page 10 the final mixed water temperature is greater than the values in Table A and / or the maximum temperature exceeds the corresponding value from the previous test results by more than about 2 K, the need for service work is indicated.

NOTE: In-service tests should be carried out with a frequency which identifies a need for service work before an unsafe water temperature can result. In the absence of any other instruction or guidance, the procedure described in „Frequency of in-service tests“ may be used.

Frequency of in-service tests TMV3*

General

In the absence of any other instruction or guidance on the means of determining the appropriate frequency of in-service testing, the following procedure may be used:

1. 6 to 8 weeks after commissioning carry out the tests given in **2.** on page 10.
2. 12 to 15 weeks after commissioning carry out the tests given in **2.** on page 10.
3. Depending on the results of **1.** and **4.** several possibilities exist:
 - a) If no significant changes (e.g. ≤ 1 K) in mixed water temperatures are recorded between commissioning and **1.**, or between commissioning and **4.** the next in-service test can be deferred to 24 to 28 weeks after commissioning.
 - b) If small changes (e.g. 1 to 2 K) in mixed water temperatures are recorded in only one of these periods, necessitating adjustment of the mixed water temperature, then the next in-service test can be deferred to 24 to 28 weeks after commissioning.
 - c) If small changes (e.g. 1 to 2 K) in mixed water temperatures are recorded in both of these periods, necessitating adjustment of the mixed water temperature, then the next in-service test should be carried out at 18 to 21 weeks after commissioning.
 - d) If significant changes (e.g. > 2 K) in mixed water temperatures are recorded in either of these periods, necessitating service work, then the next in-service test should be carried out at 18 to 21 weeks after commissioning.
4. The general principle to be observed after the first 2 or 3 in-service tests is that the intervals of future tests should be set to those which previous tests have shown can be achieved with no more than a small change in mixed water temperature.

*TMV2: The frequency of performing the in-service tests is 1 year maximum.

Thermostatic Adjustment

Temperature Limitation

The temperature is limited by the safety stop to 40°C. If a higher temperature is required, it is possible to override the safety stop by depressing the safety button.

NB. It is recommended that for **private domestic use** the maximum mixed water temperature be set at the following factory set values:

Shower Mixer 43°C

Bath/Shower 46°C

Bath/Shower Mixer 27094000 / 27291000 when installed as type 3 valve the maximum mixed water temperature shall be set at 43°C for both outlets (bath & shower)

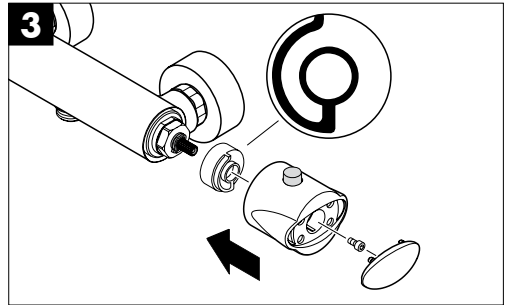
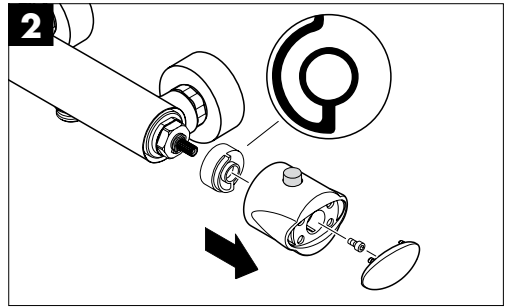
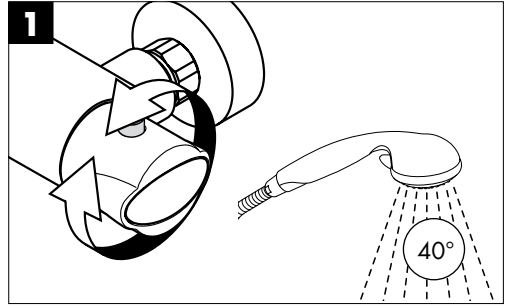
Temperatures can be set by following the procedures under „**Setting thermostat to a maximum temperature**“. This ensures that after correct installation the outlet temperature of the water can never exceed 43°C.

To guarantee a smooth running of the thermostatic element, it is necessary from time to time to turn the thermostat from total hot to total cold. The thermostatic mixer valve should be checked annually by a qualified person to ensure correct operation.

The mixer is fitted with check valves (page 15 pos. 4) and filters (page 15 pos 9). If the water flow drops the filters need to be cleaned. For that purpose the mixer has to be removed from the wall.

Calibrating Thermostat

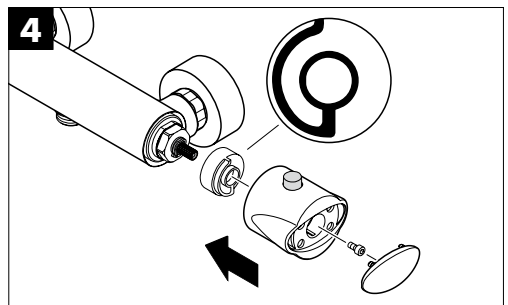
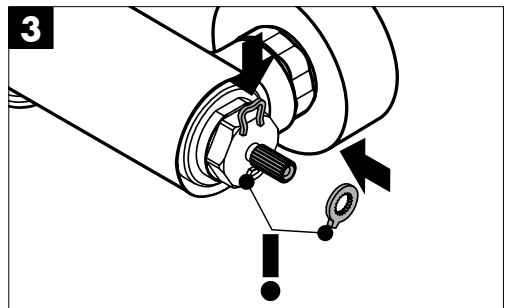
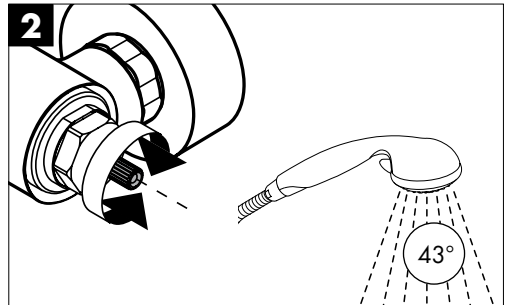
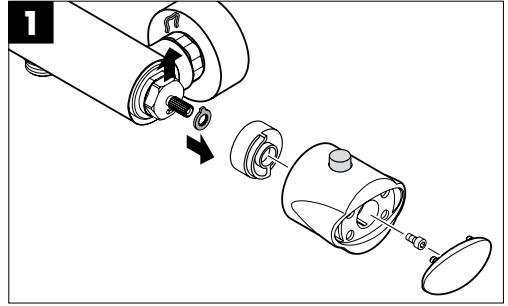
1. If the temperature reading is different to the showering temperature, turn the thermostat handle until a 40°C reading is shown on your thermometer (fig.1).
2. Remove the handle end cap, undo the screw and pull off the handle and safety set disk (fig.2).
3. Refit the safety set disk as shown. Rotate the handle so the button is positioned at 12 o'clock and re-fit onto the spindle. Replace the screw and end cap (fig.3).



Setting thermostat to a maximum temperature (Optional)

The desired maximum temperature (43°C) can be pre-set using the safety function. Proceed as follows:

1. Remove the handle end cap, undo the screw and pull off the handle and safety set disk. Remove the circlip from the spindle and slide off the locking ring (fig.1).
2. Turn the spindle until the required maximum temperature is reached (43°C). You will need to use a thermometer (fig.2).
3. Replace the locking ring back onto the spindle as shown. Refit the circlip (fig.3).
4. Refit the safety set disk as shown. Replace the handle, screw and end cap (fig.4).



Operating your Shower

Flow ON/OFF Control

Turn the flow control handle (fig. 1a) anti-clockwise to turn the water on and to increase the flow. Turn it clockwise to decrease the flow and turn off.

Temperature Control

Turn the temperature control handle (fig. 1b) anti-clockwise to increase the water temperature and clockwise to decrease the water temperature.

Thermostat

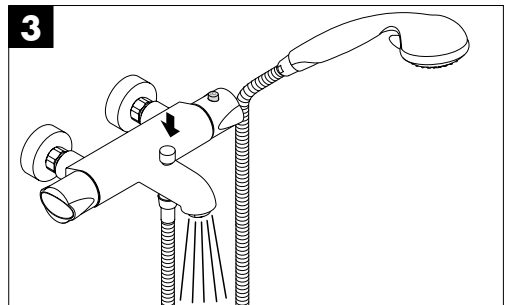
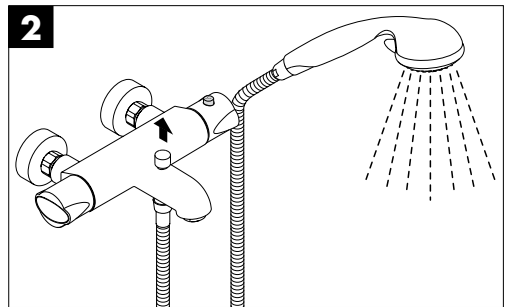
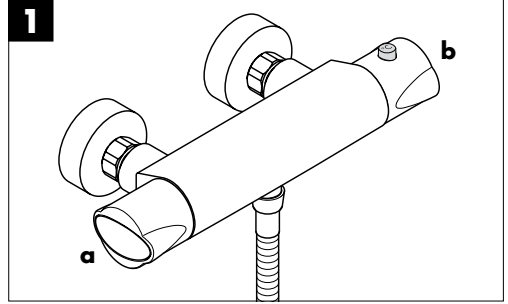
The valve automatically adjusts for changes in flow supply and maintains the outlet set water temperature.

Using Bath / Shower Diverter

When first turned on, the water flow automatically comes from the bath tap.

To divert the water flow to the hand shower, pull up the diverter knob (fig.2).

To divert the water flow to the bath tap, push down on the diverter knob (fig.3).



Cleaning

Cleaning materials for Mixers and Showers

Acids are necessary ingredients of cleaning materials for removing lime. However please pay particular attention to the following points when cleaning mixers and showers:

Only use cleaning material specifically intended for this type of cleaning - such as Hansgrohe's Decalcifying Agent, available through the specialist sanitary trade.

Never use cleaning materials which contain hydrochloric, formic or acetic acid, as they cause considerable damage.

Never use Phosphoric acid as it can cause damage.

Never mix any cleaning material with another.

Never use cleaning materials on appliances with an abrasive effect, such as unsuitable cleaning powders, sponge pads or micro fibre cloths.

Cleaning Instructions for Mixers and Showers

Please follow the cleaning materials manufacturer's instructions. In addition pay attention to the following points:

Clean the mixers and showers as and when required.

The cleaning dosage and time the cleaner needs to take effect should be adjusted according to the product and the cleaner should not be left longer than necessary.

Regular cleaning can prevent calcification.

When using spray cleaner, spray first into a cloth or sponge never directly onto the sanitary tapware, as drops could enter openings and gaps and cause damage.

After cleaning, rinse thoroughly with clean water to remove any cleaner residue.

Important

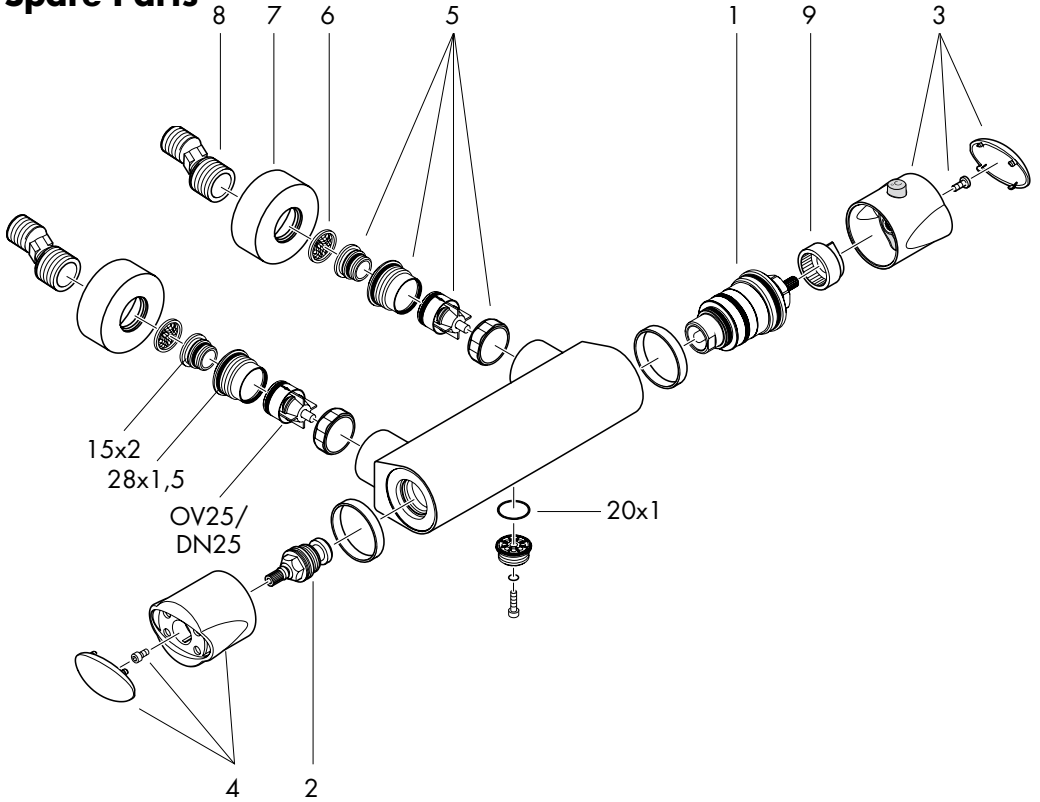
Residues of liquid soaps, shampoos and shower foams can also cause damage, so rinse with clean water after use.

If the surface is already damaged, the effect of cleaning materials will cause further damage.

Damage caused by improper treatment will not be covered by our guarantee.

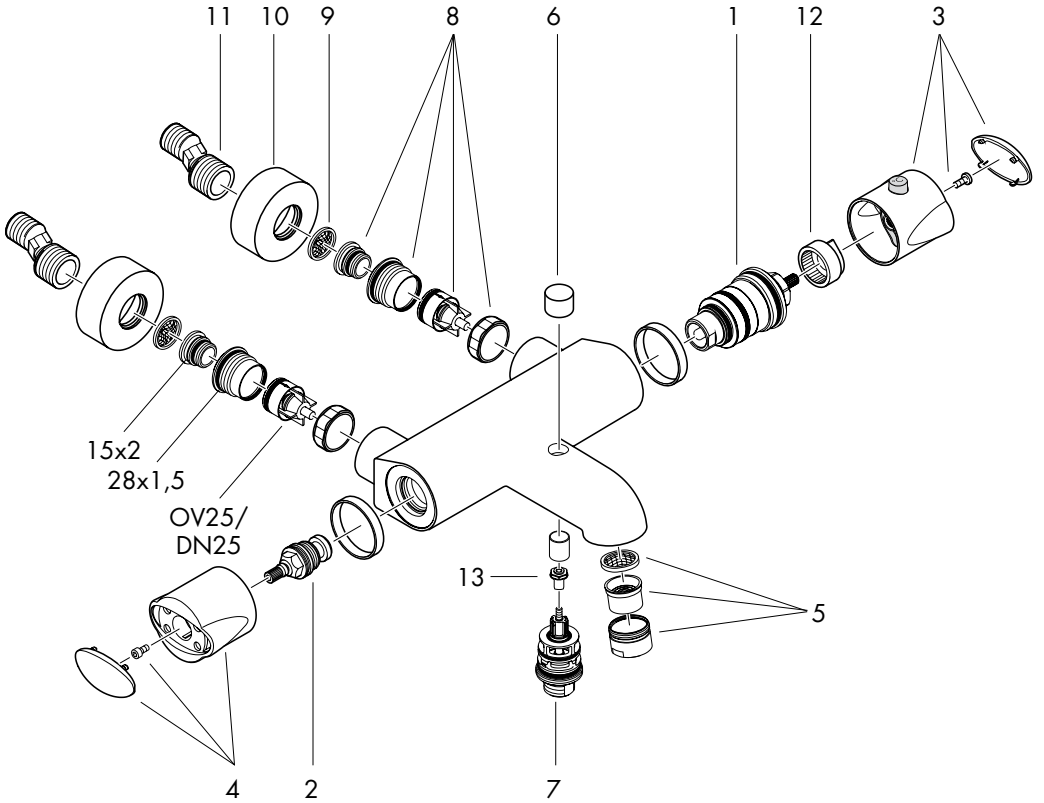
Spare Parts

Shower Thermostat Spare Parts



1	Thermoelement	96633000
2	Shut off unit	92929000
3	Handle for thermoelement	96606000
4	Handle for shut off unit	97335000
5	Connecting thread complete	97210000
6	Filter	96922000
7	Escutcheon	96467000
8	S-unions	94140000
9	Safety set for temperature control	95041000

Bath/Shower Thermostat

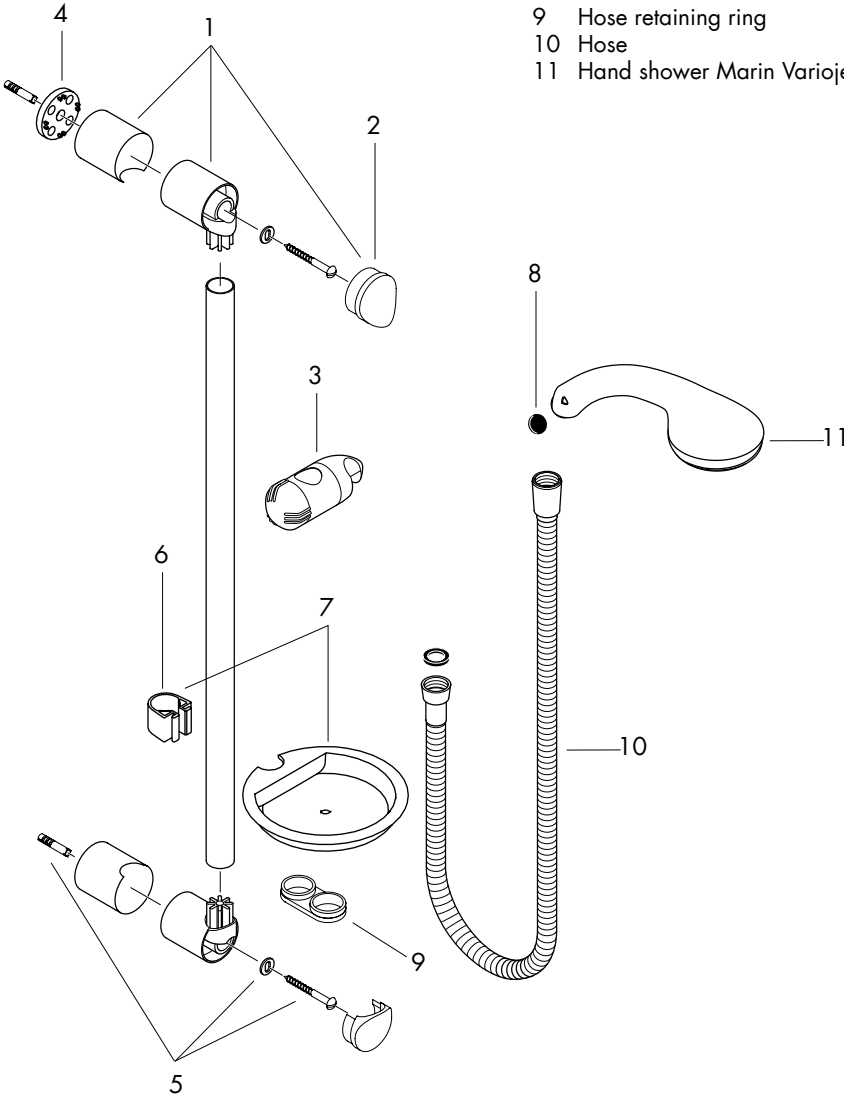


1	Thermoelement	96633000
2	Shut off unit	92929000
3	Handle for thermoelement	96606000
4	Handle for shut off unit	97335000
5	Aerator complete	97163000
6	Diverter knob	96466000
7	Selector complete	97164000
8	Connecting thread complete	97210000
9	Filter	96922000
10	Escutcheon	96467000
11	S-unions	94140000
12	Safety set for temperature control	95041000
13	Diverter fixing device	97211000

Spare Parts

Marin Wall Bar, Hand Shower & Hose

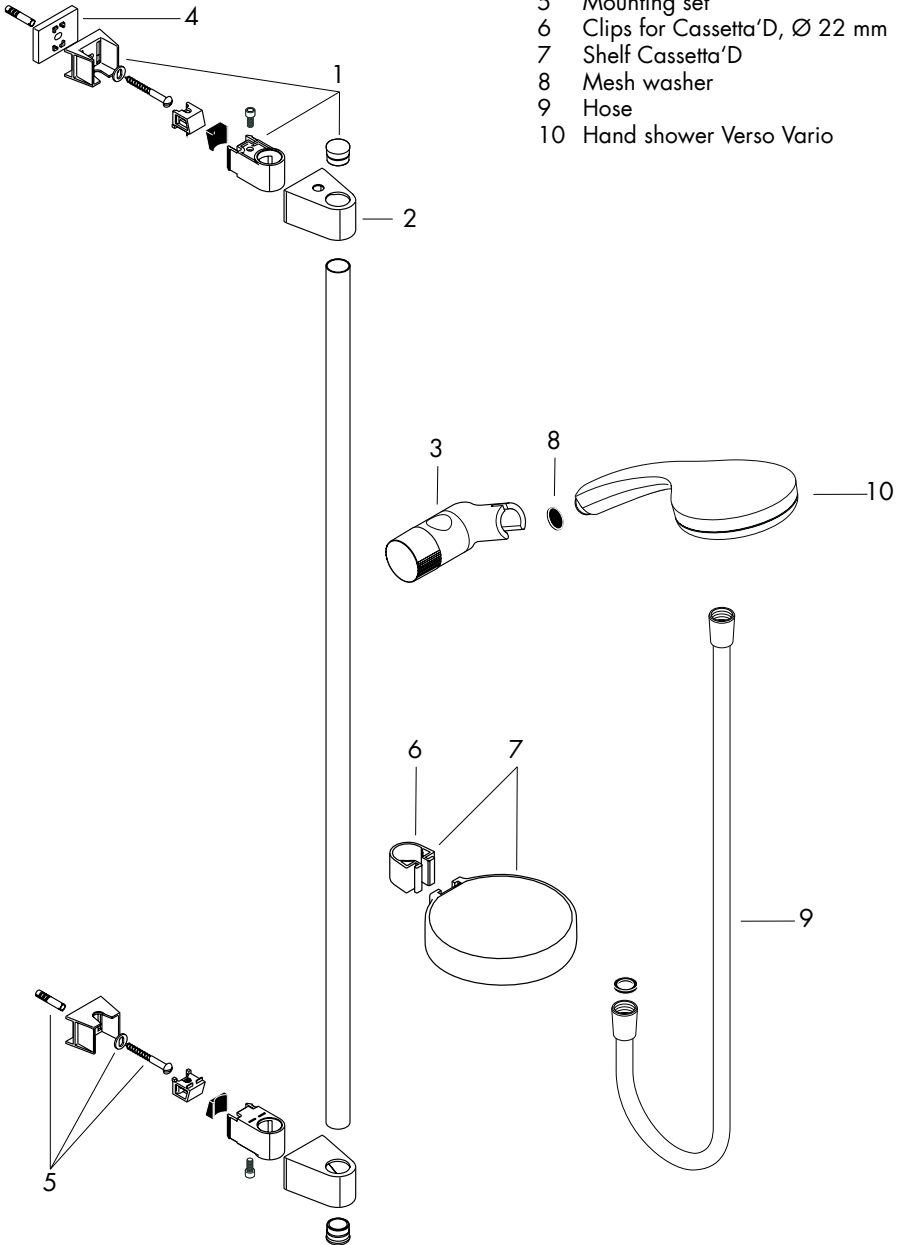
1	Wall bar end	96191000
2	Wall bar end cap	94051000
3	Support	97351000
4	Tile-matching-disk	96184000
5	Mounting set	96179000
6	clips for Cassetta U'88, Ø 22 mm	96189000
7	Shelf Cassetta U'88	28684000
8	Mesh washer	94246000
9	Hose retaining ring	28072000
10	Hose	28265000
11	Hand shower Marin Variojet	28306000



Spare Parts

Verso Wall Bar, Hand Shower & Hose

1	Wall support + cover	97983000
2	Cover	97984000
3	Support	97985000
4	Tile-matching-disk	97986XXX
5	Mounting set	96179000
6	Clips for Cassetta'D, Ø 22 mm	96189000
7	Shelf Cassetta'D	28684000
8	Mesh washer	94246000
9	Hose	28275002
10	Hand shower Verso Vario	28779000



Trouble Shooting

Fault	Cause	Remedy
Insufficient water flow	<ul style="list-style-type: none"> - Supply pressure inadequate - Shower filter seal dirty - Thermostat cartridge filters dirty 	<ul style="list-style-type: none"> - Check mains pressure - Clean filter seal between shower and hose - Remove cartridge & clean the filters on the barrel
‚Crossflow‘, hot water is forced into cold water pipe, or vice versa	<ul style="list-style-type: none"> - Non-return valves dirty or leaking 	<ul style="list-style-type: none"> - Clean non-return valves - replace if necessary
Spout temperature does not correspond with the temperature set	<ul style="list-style-type: none"> - Thermostat has not been adjusted - Hot water temperature too low 	<ul style="list-style-type: none"> - Calibrate thermostat - Increase hot water temperature
No temperature control	<ul style="list-style-type: none"> - Thermostat cartridge failure or blocked filters 	<ul style="list-style-type: none"> - Check/clean filters - Replace cartridge
Shower or spout dripping	<ul style="list-style-type: none"> - Dirt in the flow valve or ‚shut off‘ unit damaged 	<ul style="list-style-type: none"> - Clean or replace shut-off unit

Warranty

You have purchased a quality product from Hansgrohe. All parts which show any kind of fault as far as construction, material or assembly are concerned within the first 24 months after installation, we will repair or exchange the part in question free of charge. Faulty items become our property.

We do not grant warranty for faults caused by:

unsuitable or improper use; incorrect assembly; installation started and/or completed by a non-qualified plumber, natural wear out, improper or careless treatment, lack of maintenance; unsuitable usage; chemical, electro-chemical or electrical influences.

Technical Hotline

0 870 7701975

E-mail

Technical@hansgrohe.co.uk





www.userview.co.uk

hansgrohe