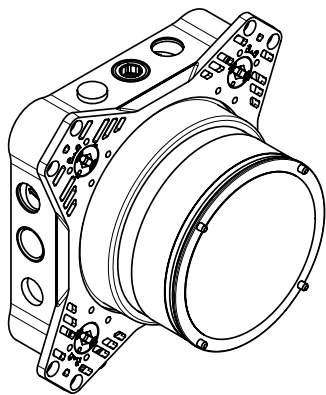


AXOR



AXOR iBox universal 2
01400187

ZH / 组装说明
EN / Assembly instructions

02
03



INSTALLATION

粗安装

- / 安装前必须检查产品是否受到运输损害。安装后将不认可运输损害或表面损伤。
- / iBox的旋转对称基体可以作为万能部件使用，在此只能垂直安装。始终在浴缸上面安装iBox。如果iBox零件即将断裂，水可能从这里流出！
- / iBox不仅适用于槽安装，同样也适用于花洒安装。安装单手槽装置恒温龙头及闭锁和分流器单元时，下出水口优先。安装花洒时，必须使用堵头密封不需要的出水口。
- / 冷热水管间过大的压力差必须予以平衡。
- / 基体安装在热水连接装置左侧和冷水连接装置右侧。
- / 安装深度：80mm至108 mm。
- / 加长件 [参见第页 26]

根据构造的实际情况安装基体，安装范例参见第 20 - 21 页。

- A 直接墙面安装。
- B 直接墙面安装，带10 mm可调节的固定柱头螺栓。
- C 安装在支柱上。
- D 砖墙安装
- E 使用固定组件安装

带数据和管道尺寸的安装实例请从 05 页起查找。

本安装说明中所规定的安装尺寸理想用于身高 1800 mm 左右的人士。尺寸可根据需要进行修改。在这种情况下，您必须留意，如果安装高度改变，则花洒到地板的最小高度也随之改变，且必须考虑到连接尺寸的改变。

安装提示

- / iBox通过管件在台虎钳内处理，这样可以旋入连接件。 [参见第页 18]
- / iBox 中的水平仪用于大致对准，精确对准则需要使用水平仪。 [参见第页 19]
- / 在装配过程中要注意滑动套筒的正确位置。 [参见第页 22]

冲洗管系统 [参见第页 25]

要完成安装，冲洗冷热水供水管。水槽块上的箭头显示哪个进水口与哪个出水管相连，例如，冷水连接上方出水口，热水连接下方出水口。如果只需要一个出口，在第一次冲水后必须将水槽块旋转 90°。

iBox与下水部件组合，配备出水组件及溢流组件
(参见第页 24)

技术参数

工作压力:	最大 1 MPa
推荐工作压力:	0,1 - 0,5 MPa
测试压强:	1,6 MPa (1 MPa = 10 bar = 147 PSI)
热水温度:	最大 60°C
中心距离:	R1/2
连接管线:	左热右冷
0,3 MPa时的流速:	
恒温龙头:	33 升/分钟
恒温龙头及闭锁单元:	22 升/分钟
恒温龙头 HighFlow (出水口 1 + 2):	33 升/分钟

符号说明



如果焊接 iBox，必须与外壳保持足够的距离。



CONCEALED INSTALLATION

- / Prior to installation, inspect the product for transport damages. After it has been installed, no transport or surface damage will be honoured.
- / The rotation symmetrical body is horizontal and vertical usable. Only exception installing the bath-shower mixer with integrated safety combination. In this case only a vertical installation is possible. Install the iBox always above the bath-tub. If parts of the iBox will broken, the water can flow in there!
- / The iBox is suitable for both bath and shower applications. When using the bath-shower mixer/thermostatic mixer with shut off and diverter unit outlet, the lower outlet must have priority. For shower applications, plug the unused outlet with a plug.
- / The hot and cold supplies must be of equal pressures.
- / Install body with the hot water supply left and cold water supply right.
- / Depth of fitting: 80 mm to 108 mm.
- / extension (see page 26)

The basic set can depending on the building application be mounted in different ways, Installation examples please see page 20 - 21.

- A Direct wall installation.
- B Direct wall installation with 10 mm adjustable mounting studs.
- C Installation on carrier system.
- D Brick wall installation.
- E Installation with fixation set

Installation examples with measurements and pipe dimensions can be found starting on page 05.

The installation dimensions stated in these installation instructions are ideal for people of approximately 1800 mm in body height. The dimensions can be altered if required. In this case, pay attention to the fact that a change of installation height will also change the minimum height, and that the altered mounting dimensions must be taken into consideration.

INSTALLATION TIP

- / To install the supply pipes, fix the iBox with a pipe in a vice. (see page 18)
- / The spirit level in the iBox is used for rough alignment, a water scale must be used for precise alignment. (see page 19)

/ Make sure that the sliding sleeve is in the correct position during assembly. (see page 22)

FLUSH PIPING SYSTEM (see page 25)

To complete the installation flush out both hot and cold water supply. The arrows on the flush body show which inlet is connected to which outlet pipe, e.g. cold water to the upper outlet and hot water to the lower outlet. If only one outlet is required, the flush body must be turned 90° after the first flush.

IBOX IN COMBINATON WITH AN EXAFILL BATH FILLER WITH OVER-FLOW AND WASTE (see page 24)

TECHNICAL DATA

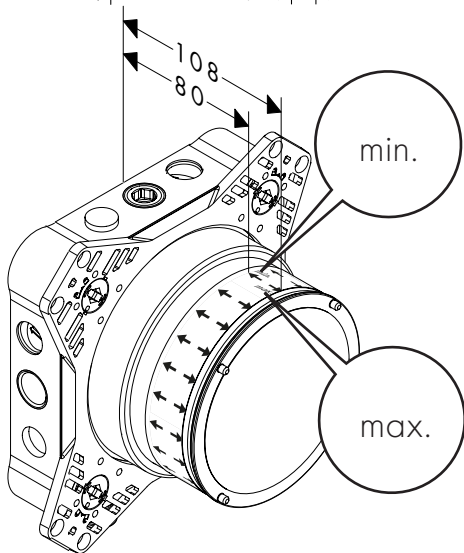
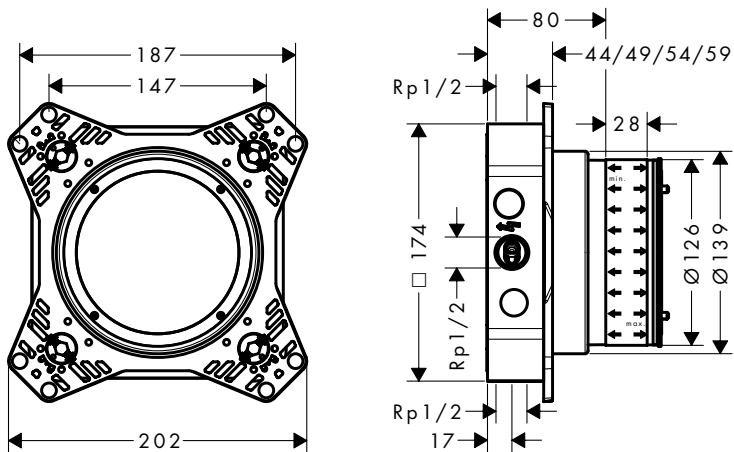
Operating pressure:	max. 1 MPa
Recommended operating pressure:	0,1 - 0,5 MPa
Test pressure:	1,6 MPa (1 MPa = 10 bar = 147 PSI)
Hot water temperature:	max. 60°C
Centre distance:	R½
Connections:	cold right - hot left
Rate of flow by 0,3 MPa:	
Thermostatic mixer:	33 l/min
Thermostatic mixer with shut off unit:	22 l/min
Thermostatic mixer HighFlow (Outlet 1 + 2):	33 l/min



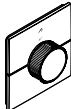


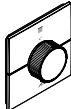


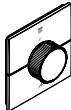

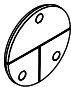
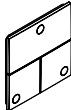
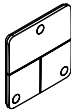

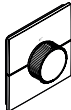
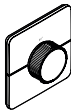

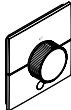

Symbol description

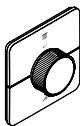


If the iBox is soldered, sufficient distance to the housing must be maintained.

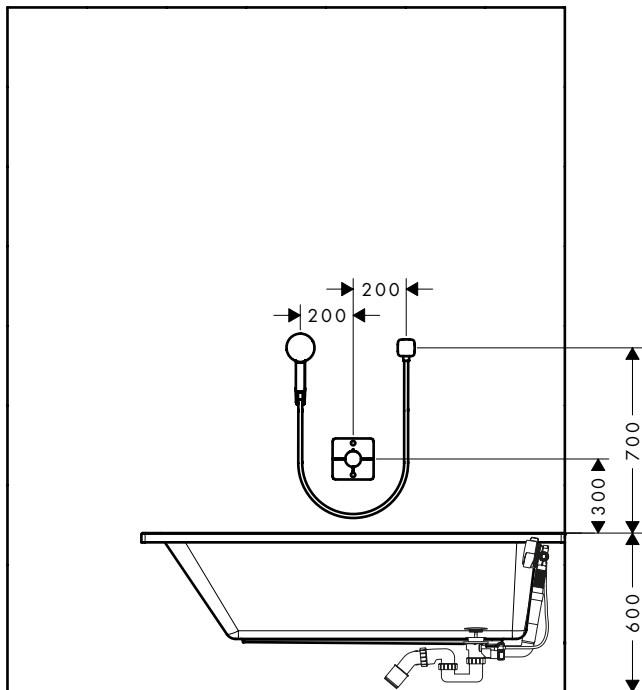


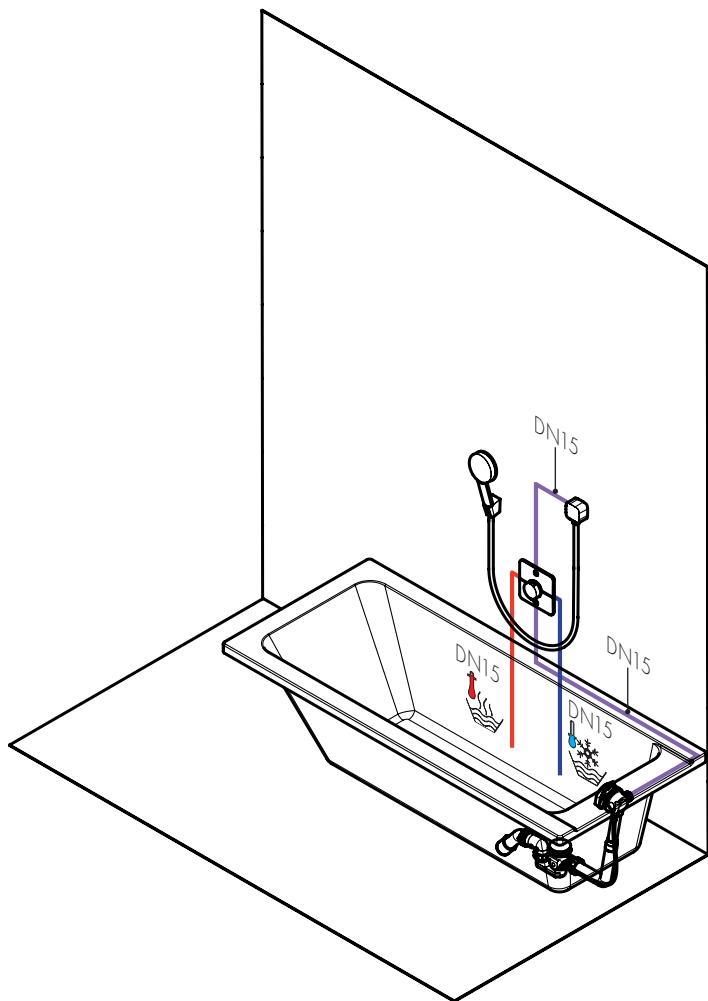


AXOR ShowerSelect ID	Round	Square	Softsquare	
1 function	 36756XX7	 36757XX7	 36758XX7	08
2 functions	 36750XX7	 36752XX7	 36754XX7	10
2 functions (security combination/EN1717)	 36751XX7	 36753XX7	 36755XX7	06
3 functions	 36779XX7	 36780XX7	 36781XX7	12, 14
HighFlow	 36759XX7	 36774XX7	 36775XX7	12
HighFlow additional function	 36776XX7	 36777XX7	 36778XX7	14



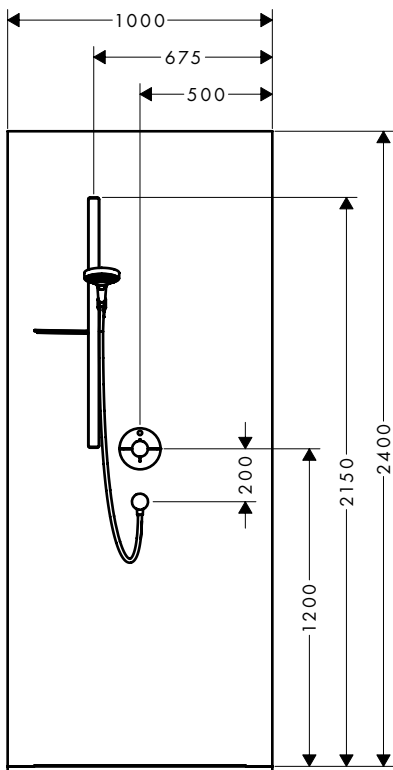
AXOR ShowerSelect ID Softsquare
2 functions (security combination/DVGW)
36755XX7

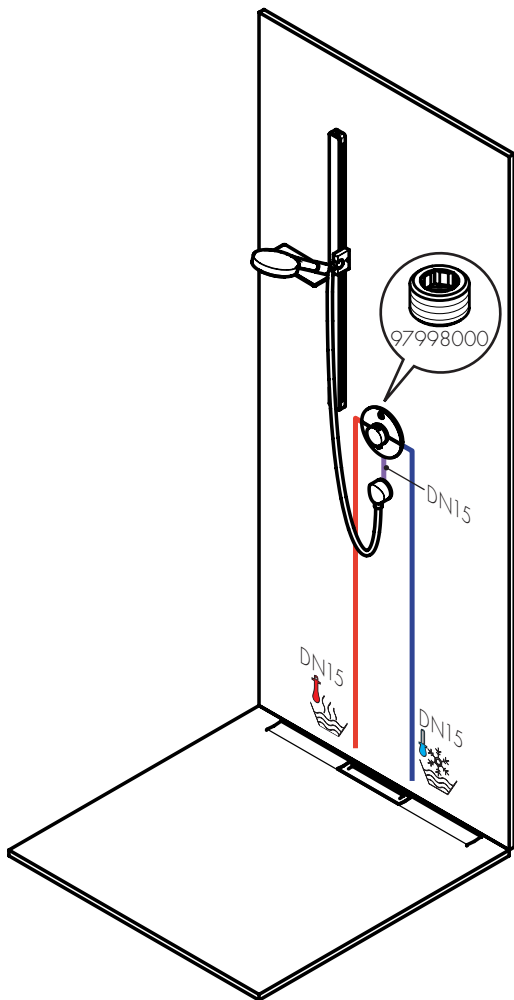


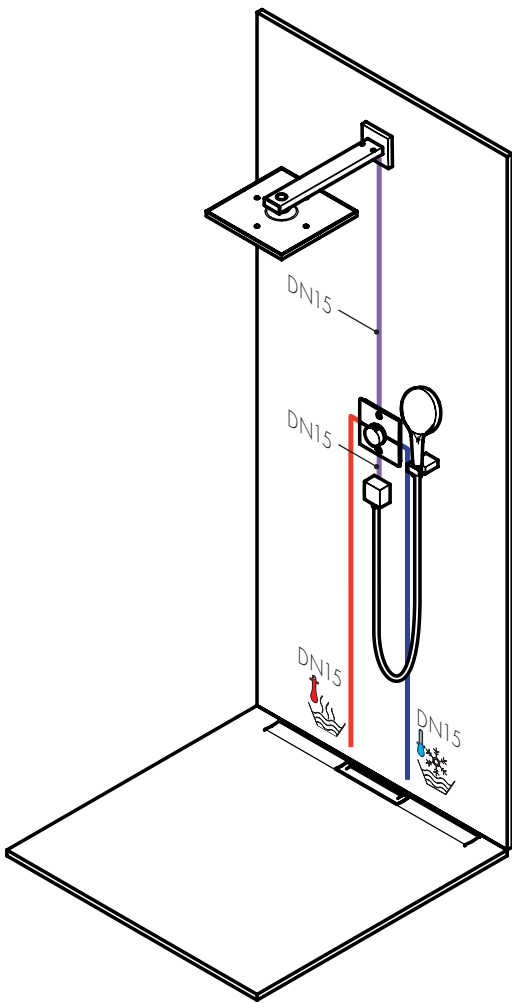


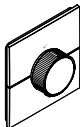


AXOR ShowerSelect ID Round
1 function
36756XX7

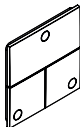




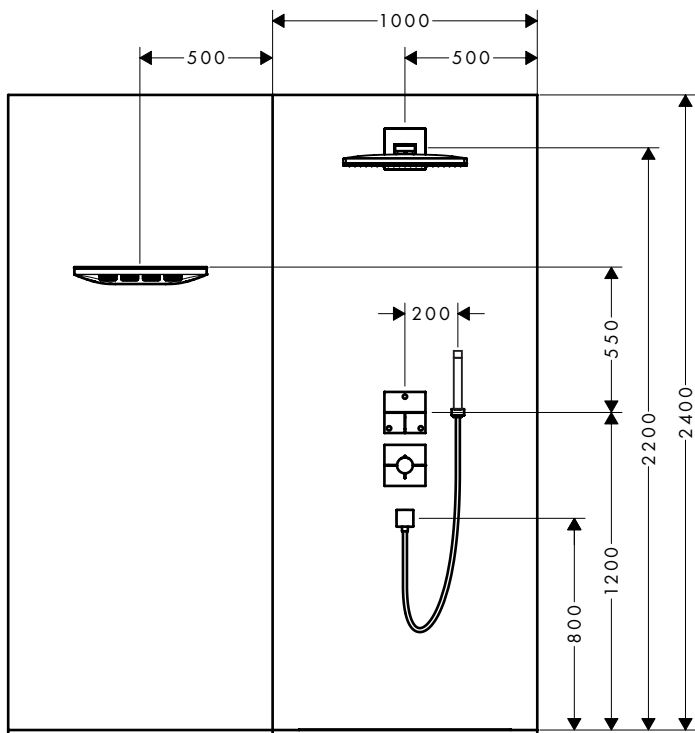


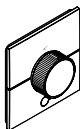


AXOR ShowerSelect ID Square
HighFlow
36774XX7

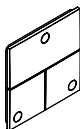


AXOR ShowerSelect ID Square
3 functions
36780XX7

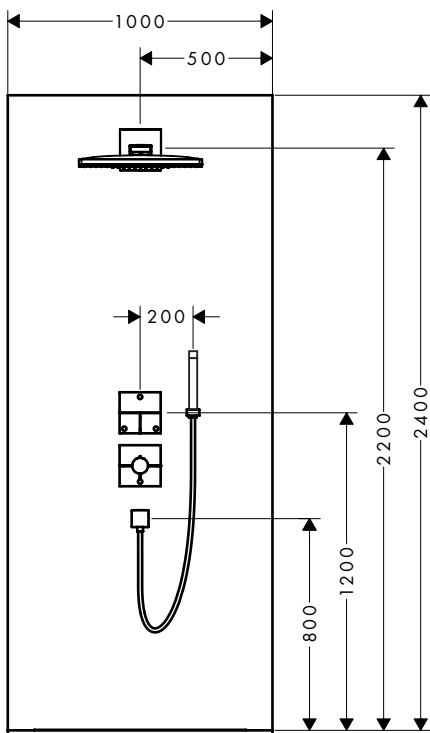


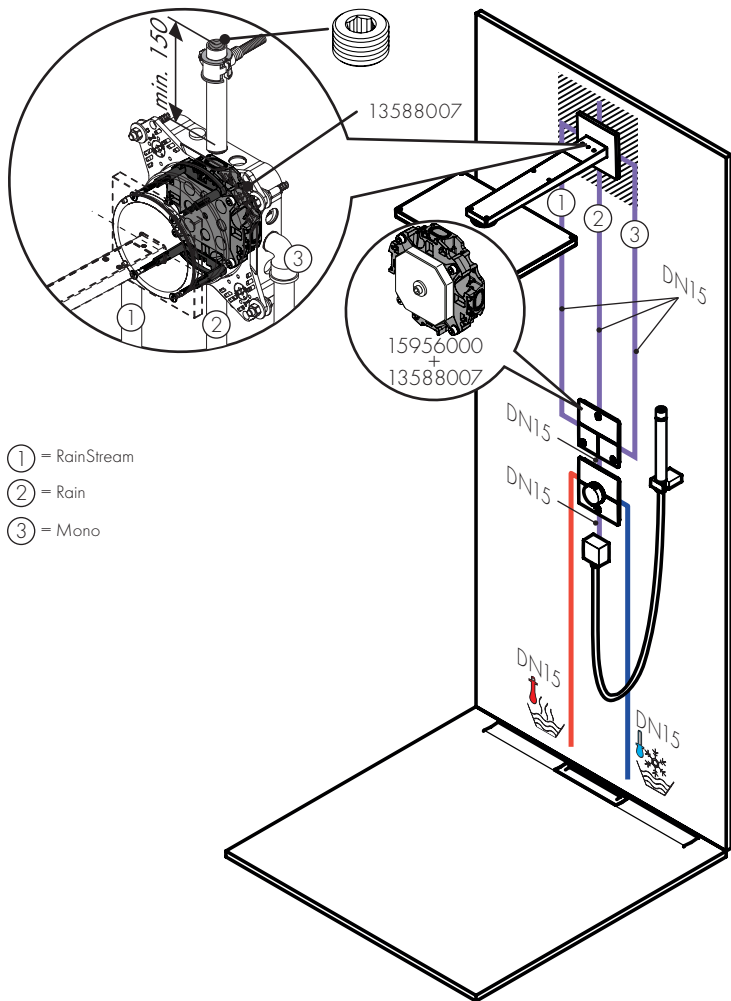


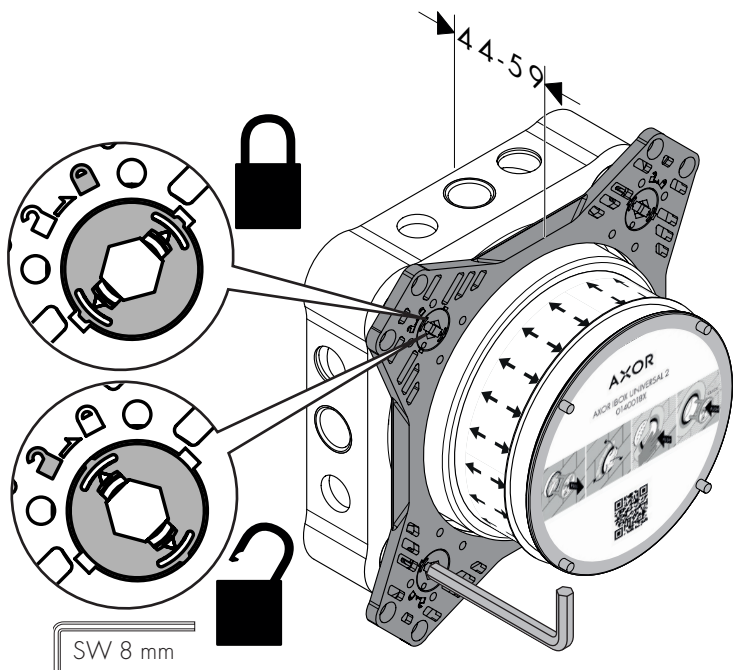
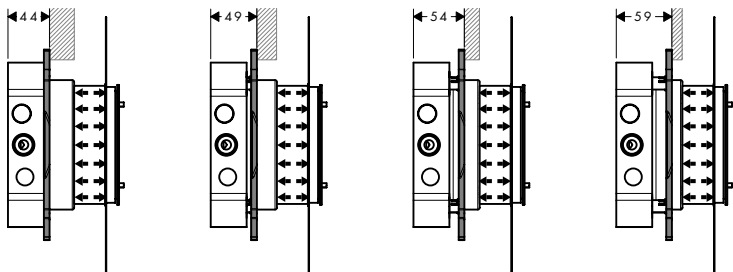
AXOR ShowerSelect ID Square
HighFlow additional function
36777XX7

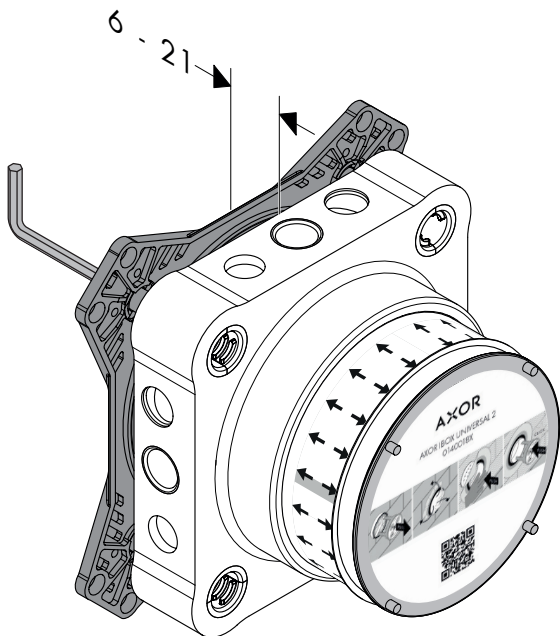
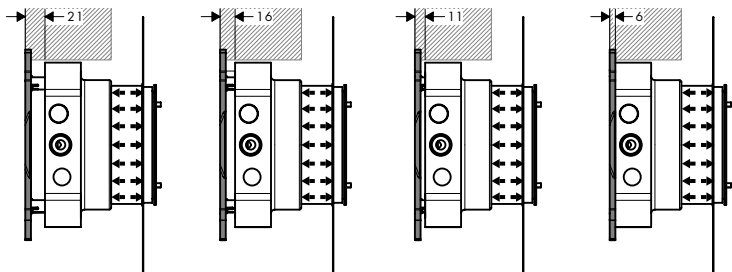


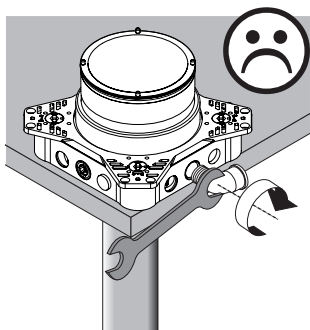
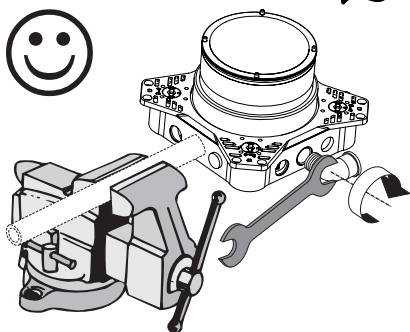
AXOR ShowerSelect ID Square
3 functions
36780XX7

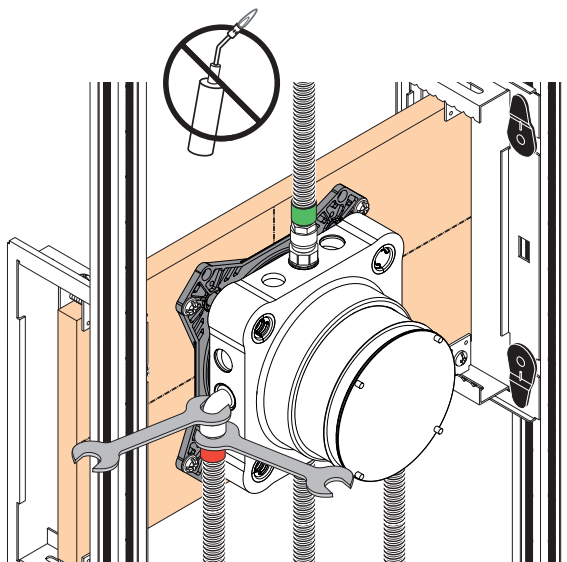
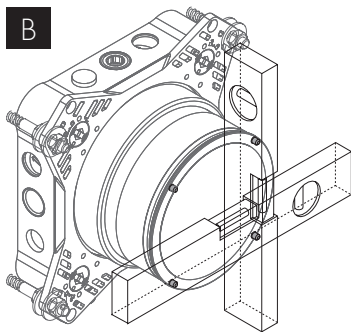
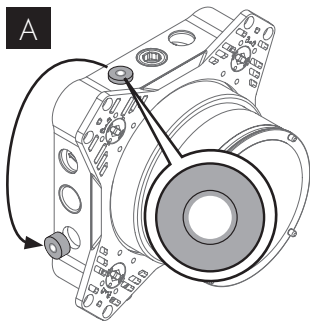


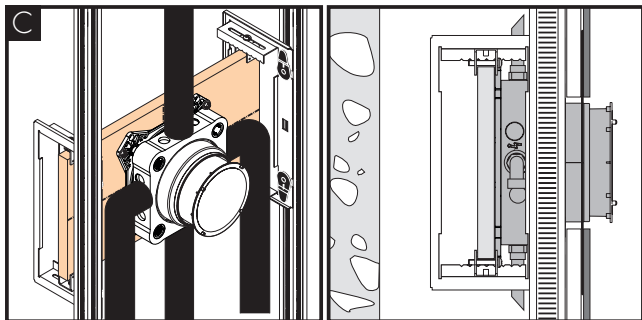
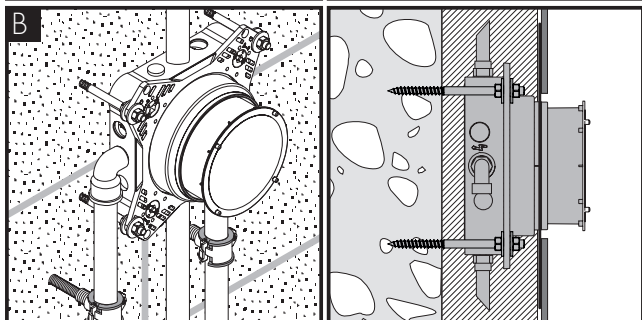
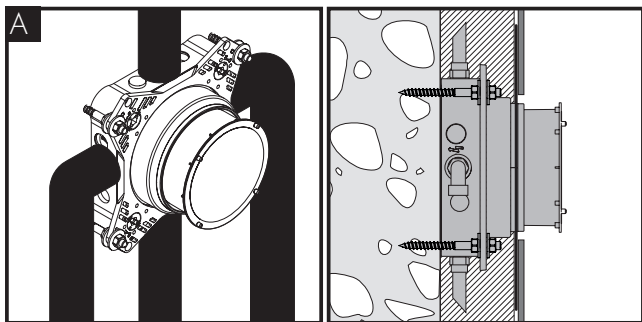


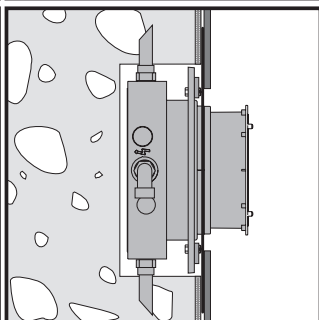
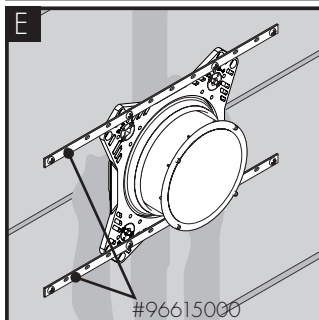
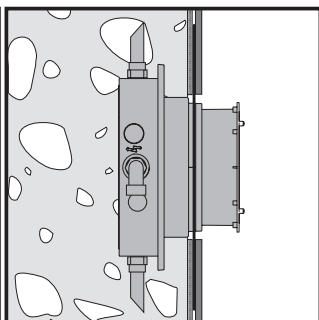
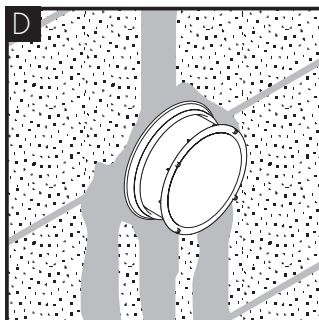


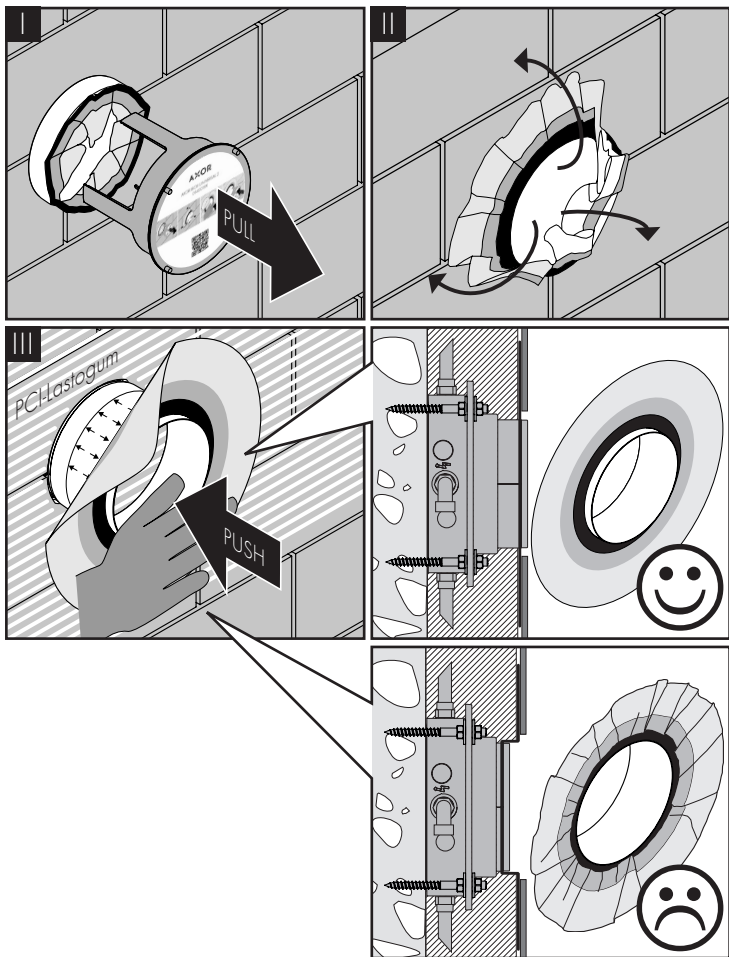


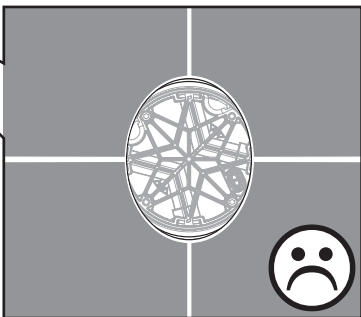
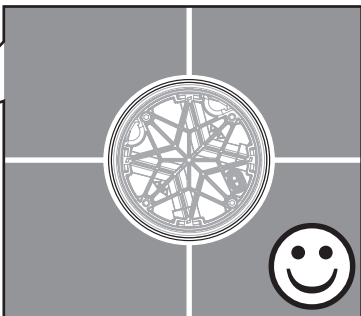
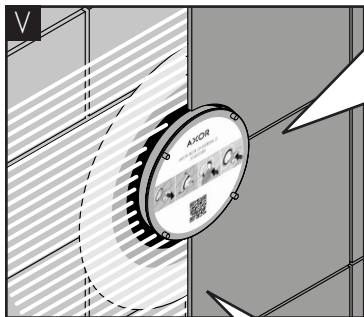
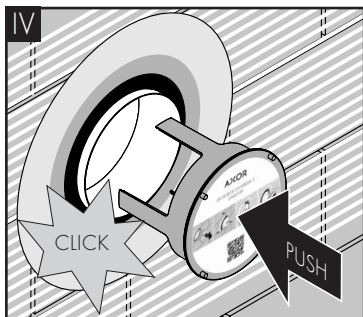




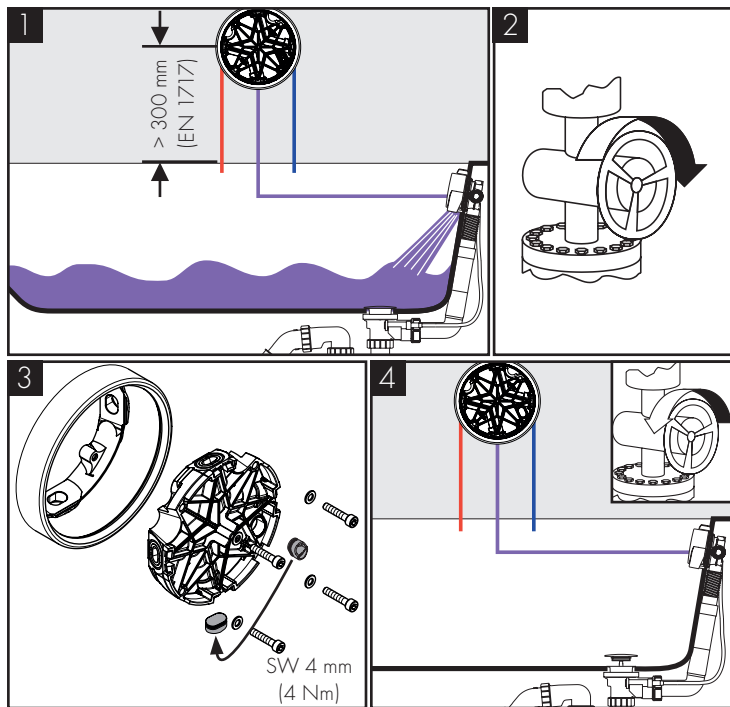
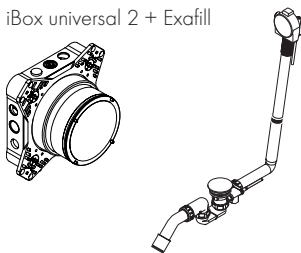


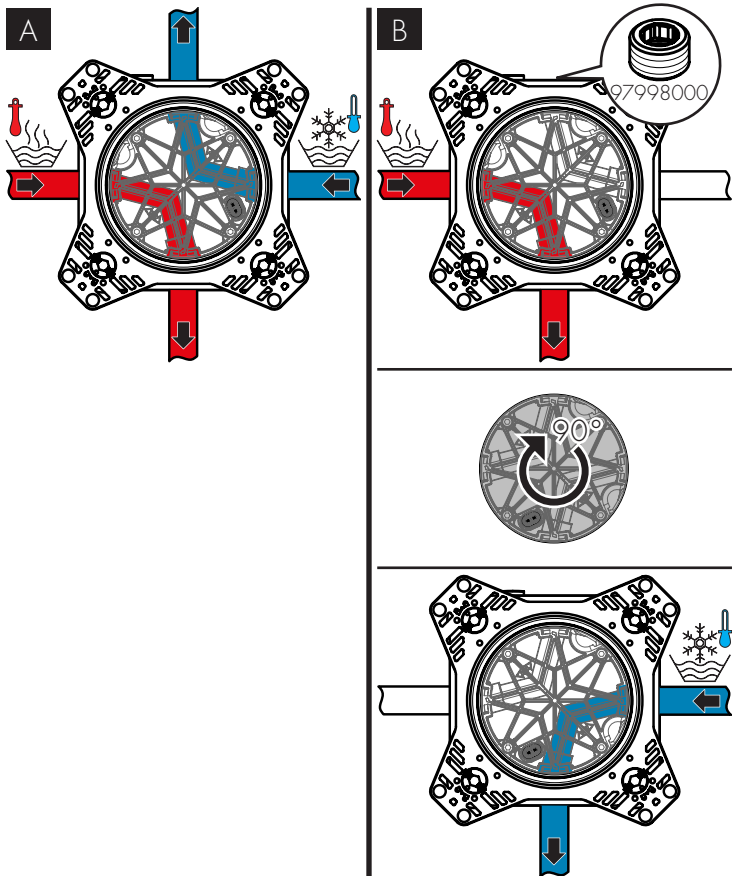




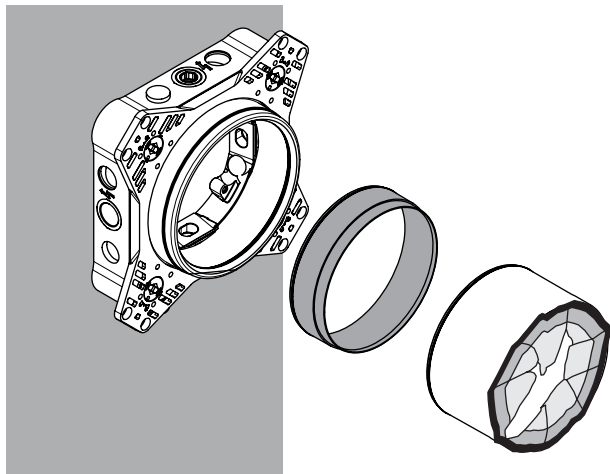
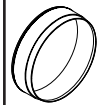


iBox universal 2 + Exafill

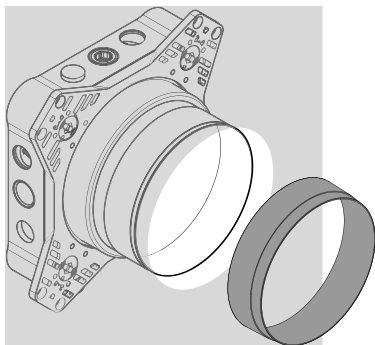
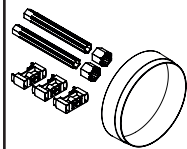


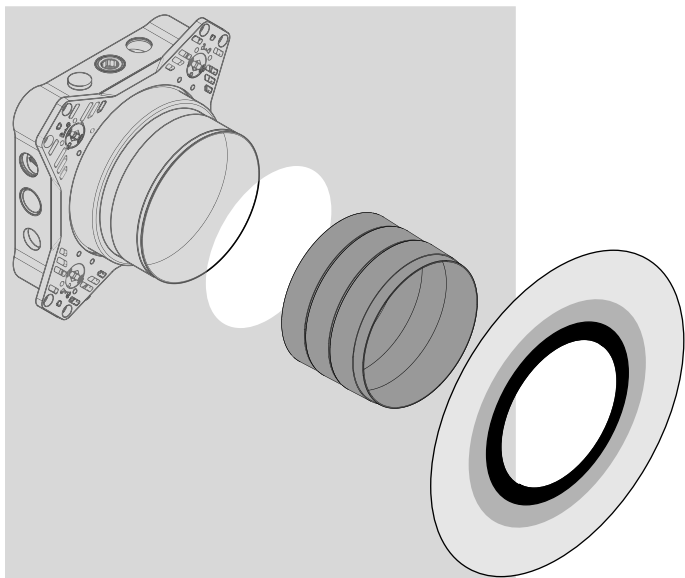
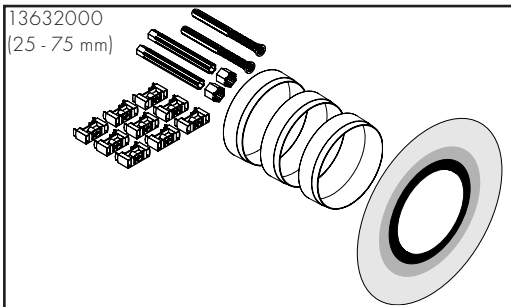


13637000
(25 mm)

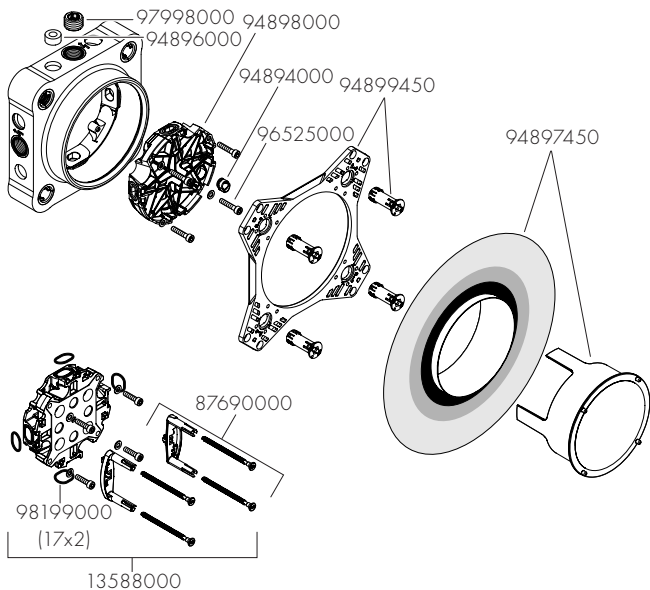


13638000
(25 mm)





AXOR



AXOR / Hansgrohe SE

Austraße 5-9

77761 Schiltach

Deutschland

info@axor-design.com

axor-design.com

12/2023
9.17455..51