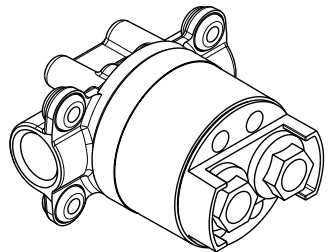


AXOR

ZH / 组装说明
EN / assembly instructions

02
02 AXOR Starck
10902187



INSTALLATION

△ 安全技巧

- △ 装配时为避免挤压和切割受伤，必须戴上手套。
- △ 冷热水管间过大的压力差必须予以平衡。

安装提示

- / 安装前必须检查产品是否受到运输损害。安装后将不认可运输损害或表面损伤。
- / 管道和阀门必须根据通用标准进行安装、冲洗和检查。
- / 请遵守当地国家现行的安装规定。

安装示意 (参见第页 03)

根据构造的实际情况安装基体，安装范例参见第 03 页。

直接墙面安装。(第 A)

使用专用的支撑框架脱离墙壁安装(第 B)

砖墙安装(第 C)

直接墙面安装，可调节的固定柱头螺栓。(第 D)

符号说明

请勿使用含有乙酸的硅胶！



大小 (参见第页 07)



加工件 (参见第页 06)



备用零件 (参见第页 08)

选装附件 (不在供货范围内)

密封箔 #96660000

安装 (参见第页 04) 

△ SAFETY NOTES

- △ Gloves should be worn during installation to prevent crushing and cutting injuries.
- △ The hot and cold supplies must be of equal pressures.

INSTALLATION INSTRUCTIONS

- / Prior to installation, inspect the product for transport damages. After it has been installed, no transport or surface damage will be honoured.
- / The pipes and the fixture must be installed, flushed and tested as per the applicable standards.
- / The plumbing codes applicable in the respective countries must be observed.

INSTALLATION EXAMPLE (see page 03)

The iBox can depending on the building application be mounted in different ways, Installation examples please see page 03.

Direct wall installation. (Fig. A)

Off wall installation with special support frame. (Fig. B)

Brick wall installation. (Fig. C)

Direct wall installation with adjustable mounting studs. (Fig. D)

SYMBOL DESCRIPTION

Do not use silicone containing acetic acid!



DIMENSIONS (see page 07)



FINISH SET (see page 06)

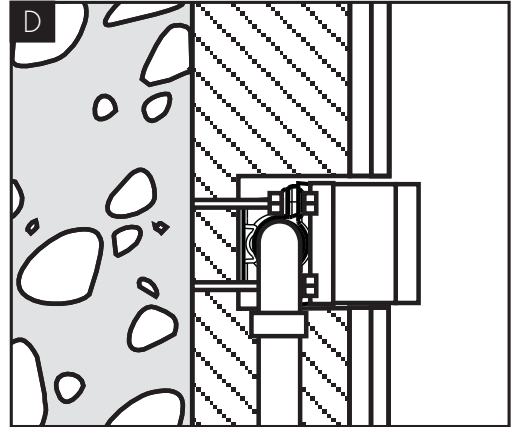
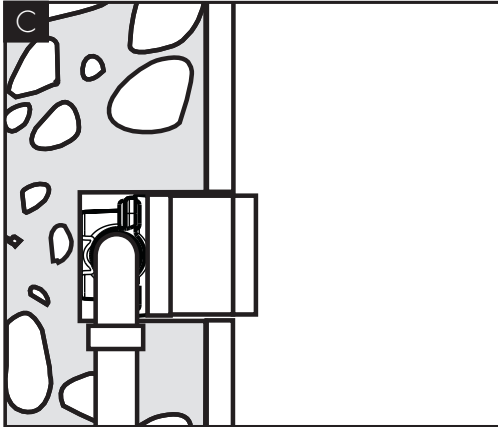
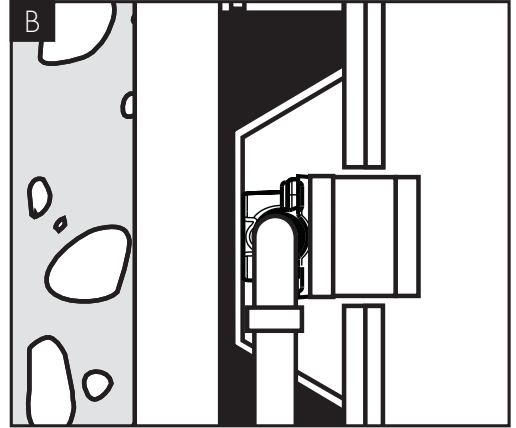
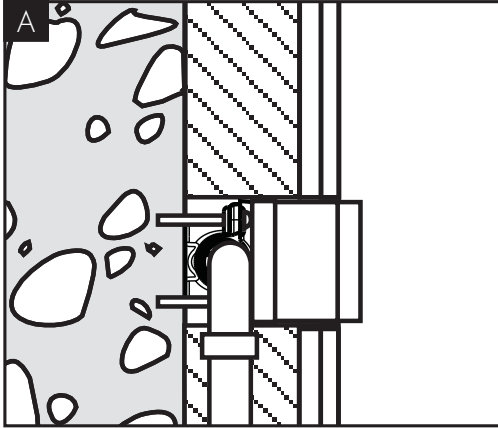


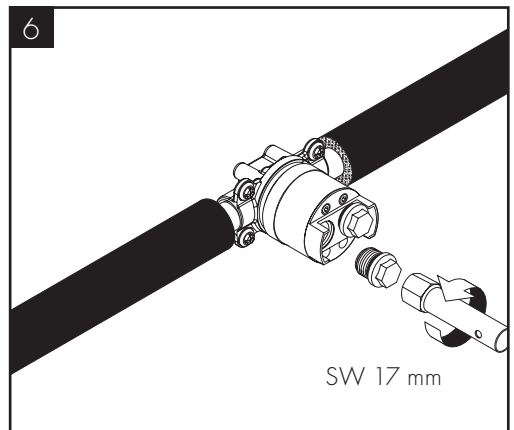
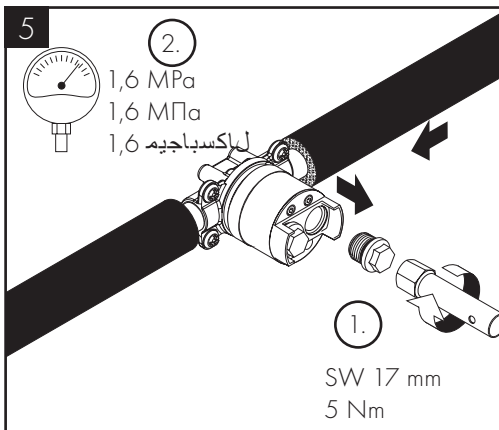
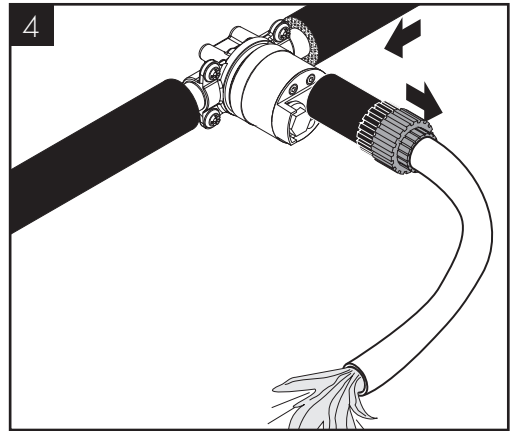
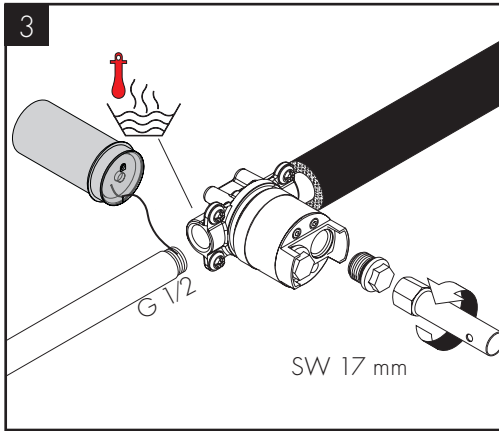
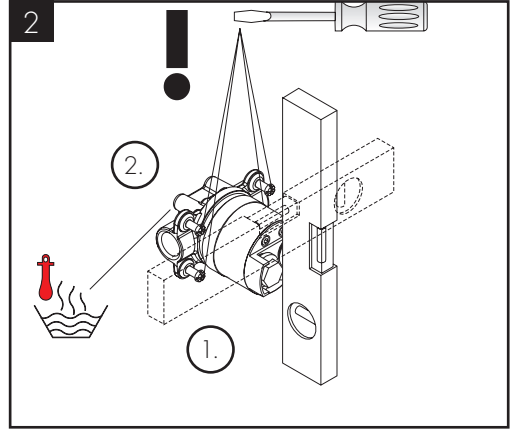
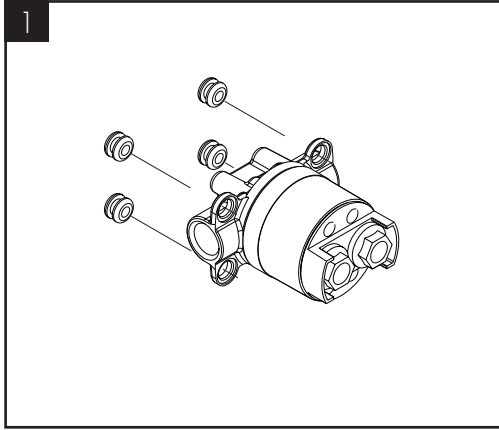
SPARE PARTS (see page 08)

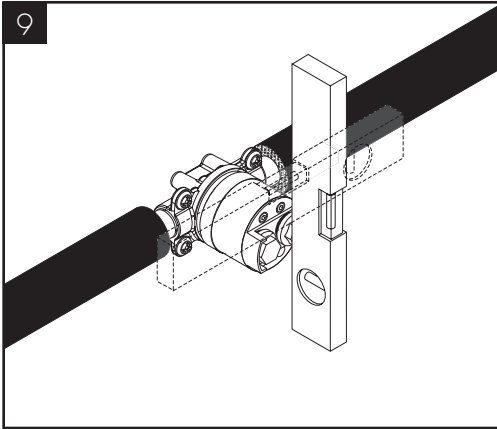
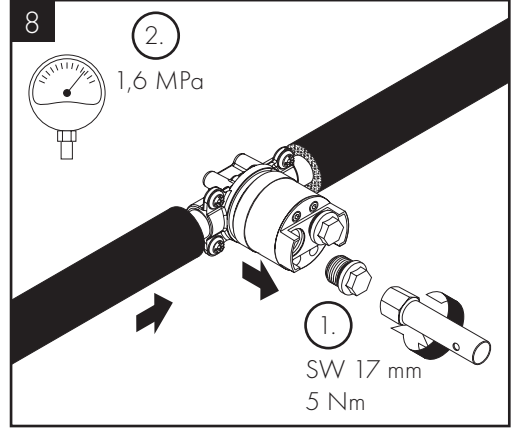
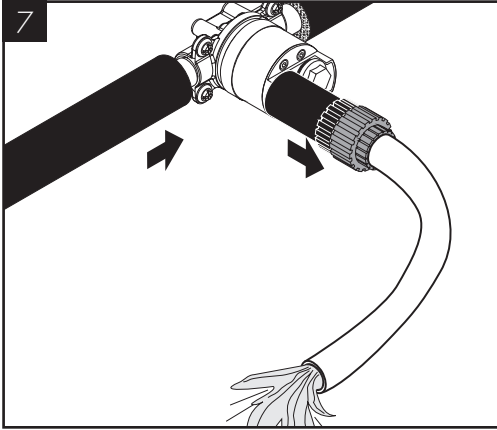
SPECIAL ACCESSORIES (order as an extra)

sealing foil #96660000

ASSEMBLY (see page 04) 

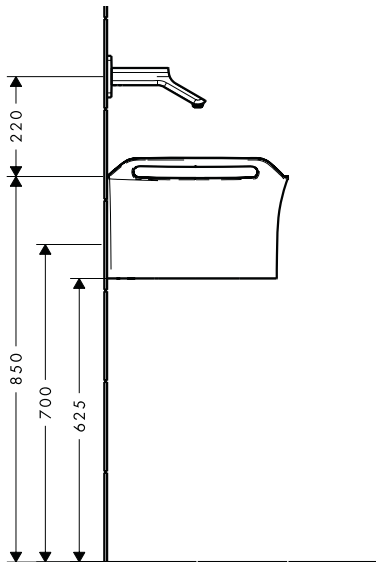
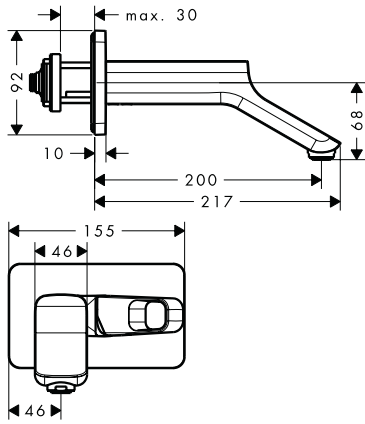




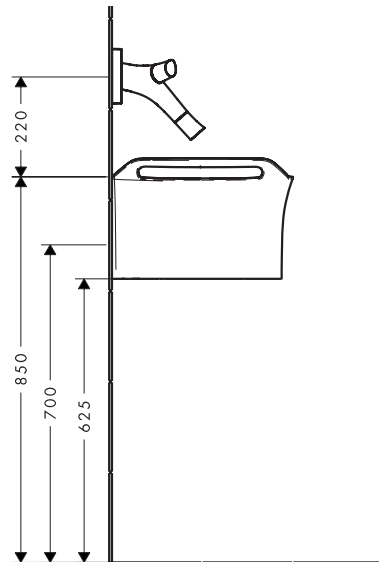
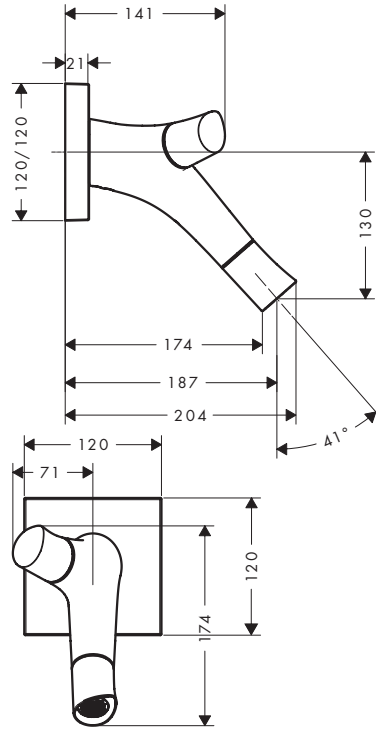


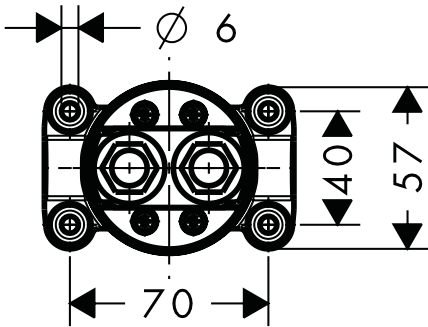
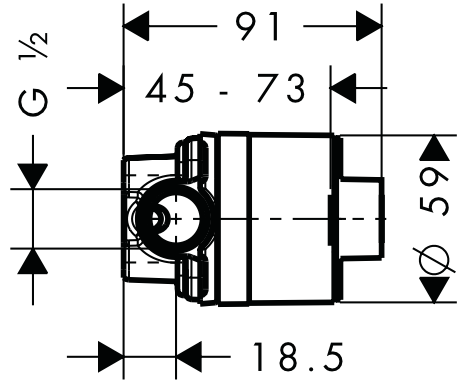
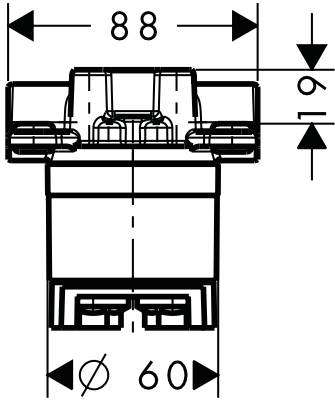


AXOR Urquiola
11026007

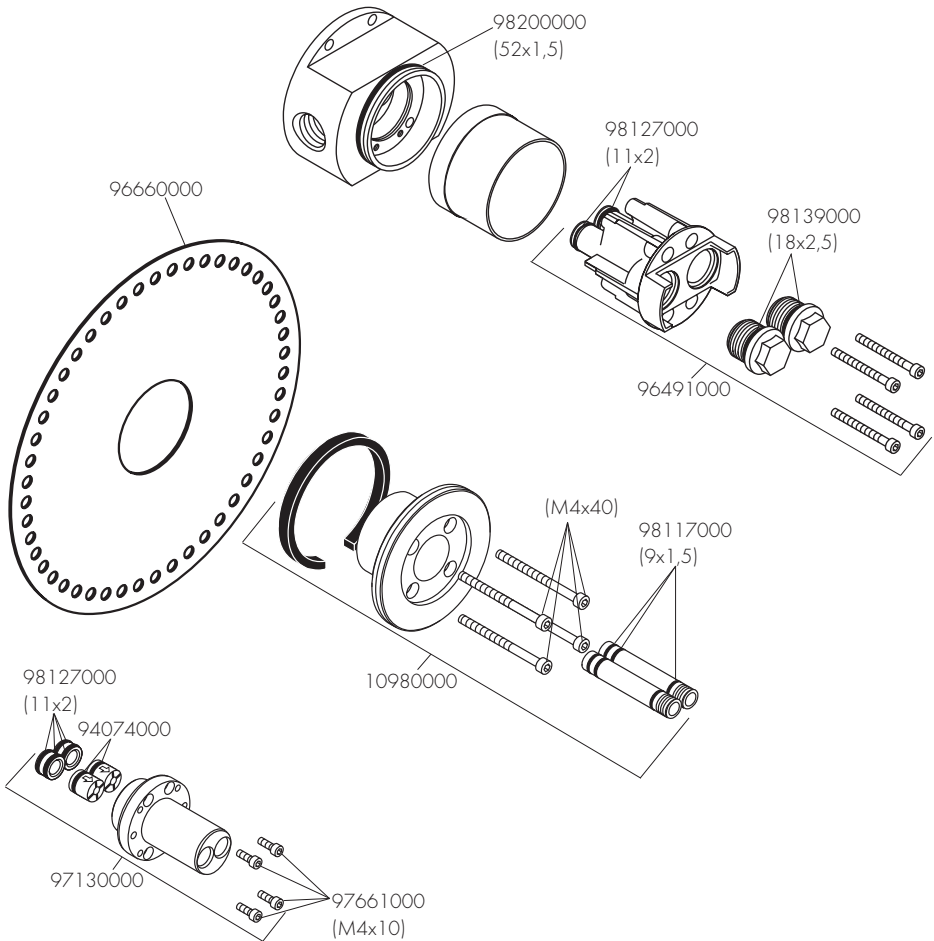


AXOR Starck Organic
12015007





AXOR



AXOR / Hansgrohe SE

Austraße 5-9

77761 Schiltach

Deutschland

info@axor-design.com

axor-design.com

07/2017
9,08819,51