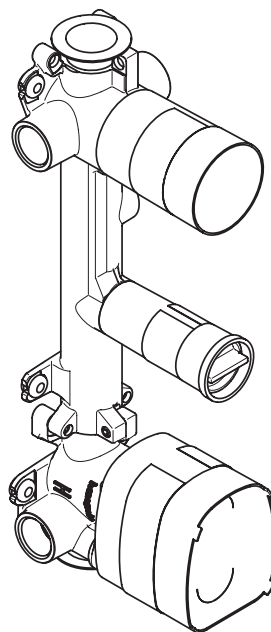


ZH / 用户手册 / 组装说明

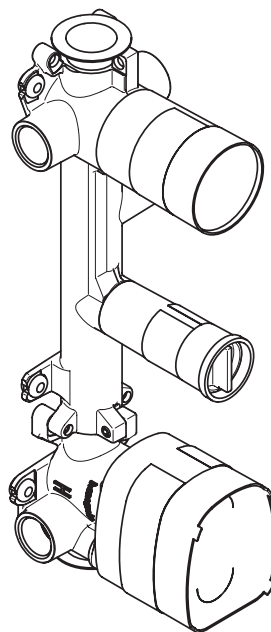
02

EN / Instructions for use / assembly instructions

02



AXOR Citterio E  
36701187



AXOR Citterio E  
36708187

**△ 安全技巧**

- △ 装配时为避免挤压和切割受伤，必须戴上手套。
- △ 本产品只允许作为洗浴、卫生和洁身之用。
- △ 冷热水管间过大的压力差必须予以平衡。

**安装提示**

- / 安装前必须检查产品是否受到运输损害。安装后将不认可运输损害或表面损伤。
- / 管道和阀门必须根据通用标准进行安装、冲洗和检查。
- / 请遵守当地国家现行的安装规定。

**技术参数**


工作压强: 最大 1 MPa  
 推荐工作压强 36701187: 0,2 - 0,6 MPa  
 推荐工作压强 36708187: 0,25 - 0,6 MPa  
 测试压强: 1,6 MPa  
 (1 MPa = 10 bar = 147 PSI)

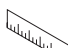
热水温度: 最大 70°C  
 推荐热水温度: 65°C  
 热力消毒: 最大 70°C / 4 分钟


该产品专为饮用水设计！

自动防止回流

**符号说明**

 请勿使用含有乙酸的硅胶！

 大小 (参见第页 09)

 安装示意 (参见第页 03)

 中心淋浴盆

 备用零件 (参见第页 10)

**△ SAFETY NOTES**

- △ Gloves should be worn during installation to prevent crushing and cutting injuries.
- △ The product may only be used for bathing, hygienic and body cleaning purposes.
- △ The hot and cold supplies must be of equal pressures.

**INSTALLATION INSTRUCTIONS**

- / Prior to installation, inspect the product for transport damages. After it has been installed, no transport or surface damage will be honoured.
- / The pipes and the fixture must be installed, flushed and tested as per the applicable standards.
- / The plumbing codes applicable in the respective countries must be observed.

**TECHNICAL DATA**


Operating pressure: max. 1 MPa  
 Recommended operating pressure 36701187: 0,2 - 0,6 MPa  
 Recommended operating pressure 36708187: 0,25 - 0,6 MPa  
 Test pressure: 1,6 MPa  
 (1 MPa = 10 bar = 147 PSI)

Hot water temperature: max. 70°C  
 Recommended hot water temp.: 65°C  
 Thermal disinfection: max. 70°C / 4 min

The product is exclusively designed for drinking water!

Safety against backflow

**SYMBOL DESCRIPTION**

 Do not use silicone containing acetic acid!

 DIMENSIONS (see page 09)

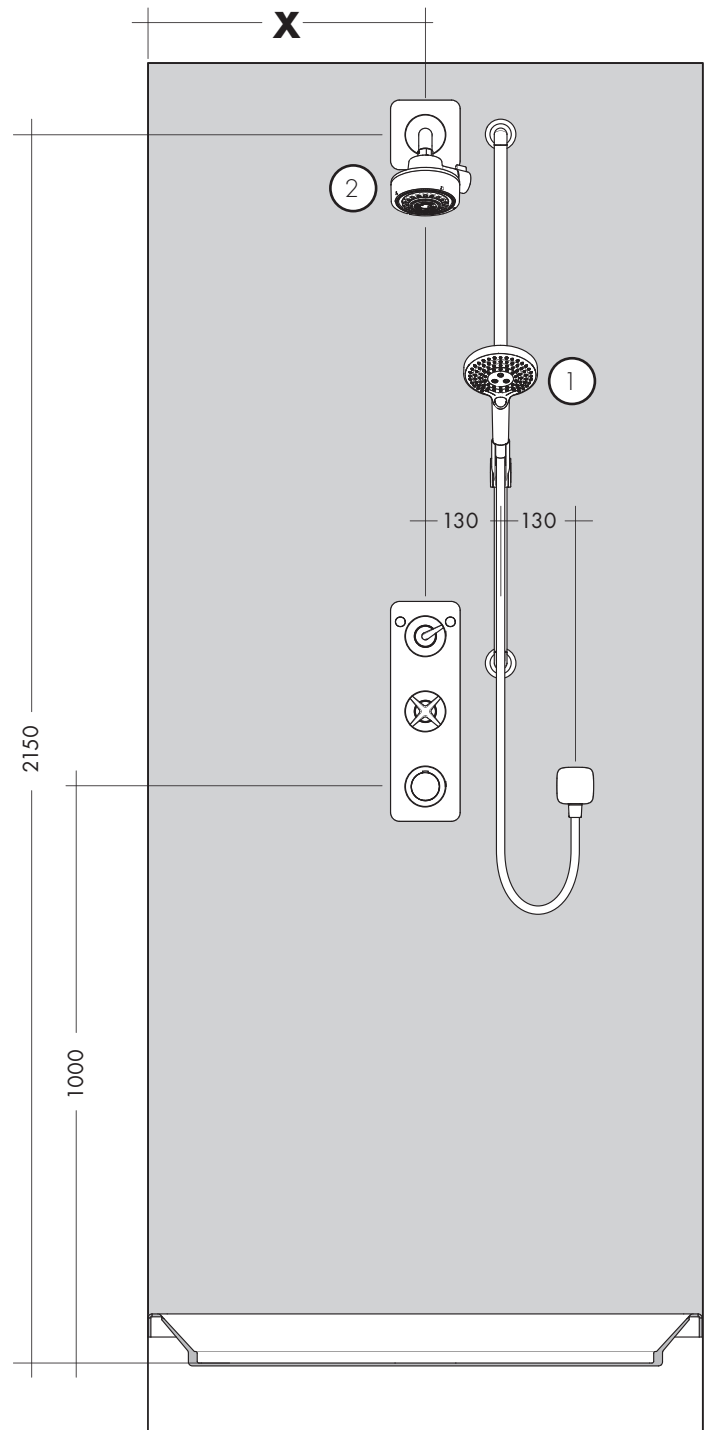
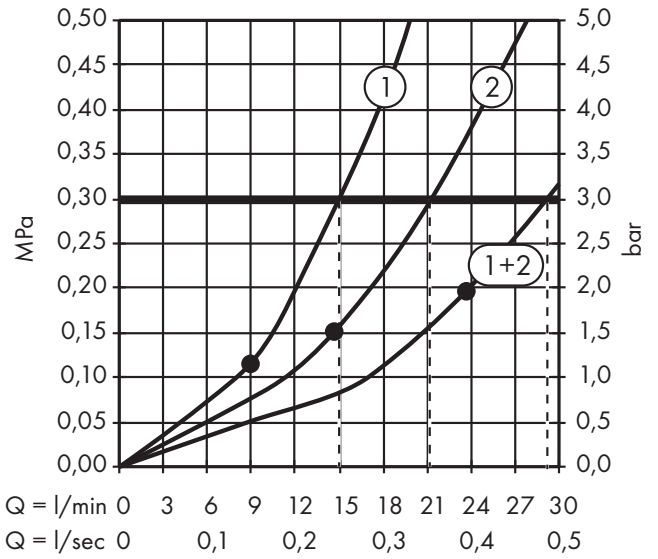
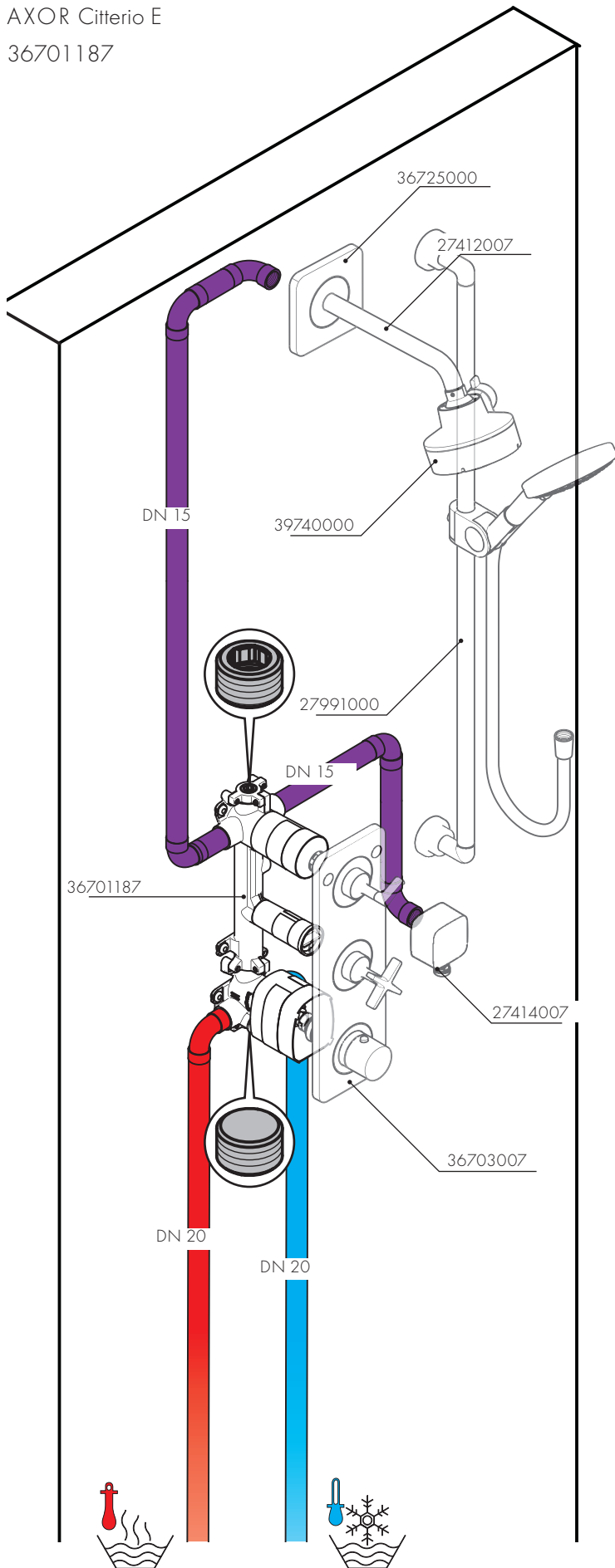
 INSTALLATION EXAMPLE (see page 03)

 CENTER SHOWER TUB

 SPARE PARTS (see page 10)

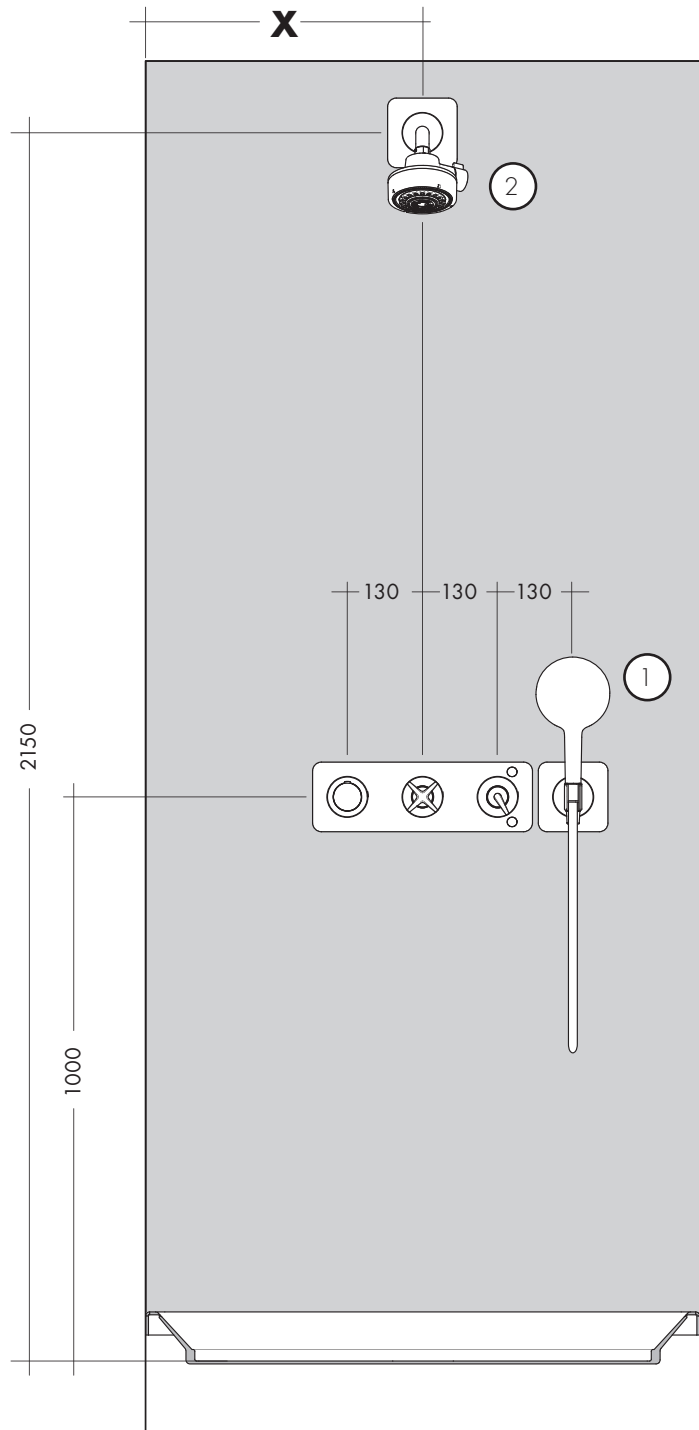
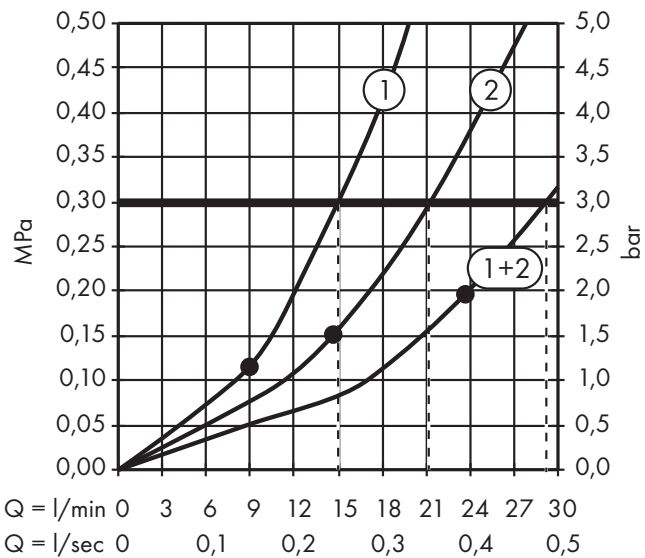
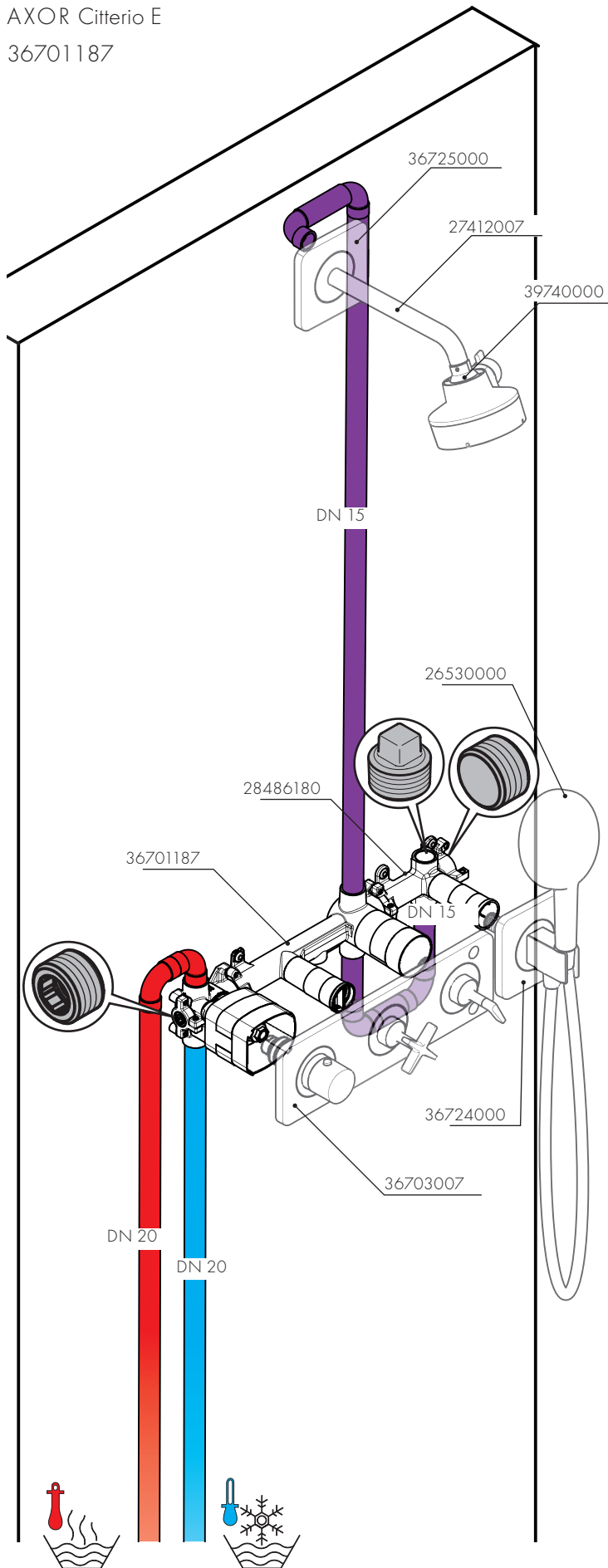


AXOR Citterio E  
36701187



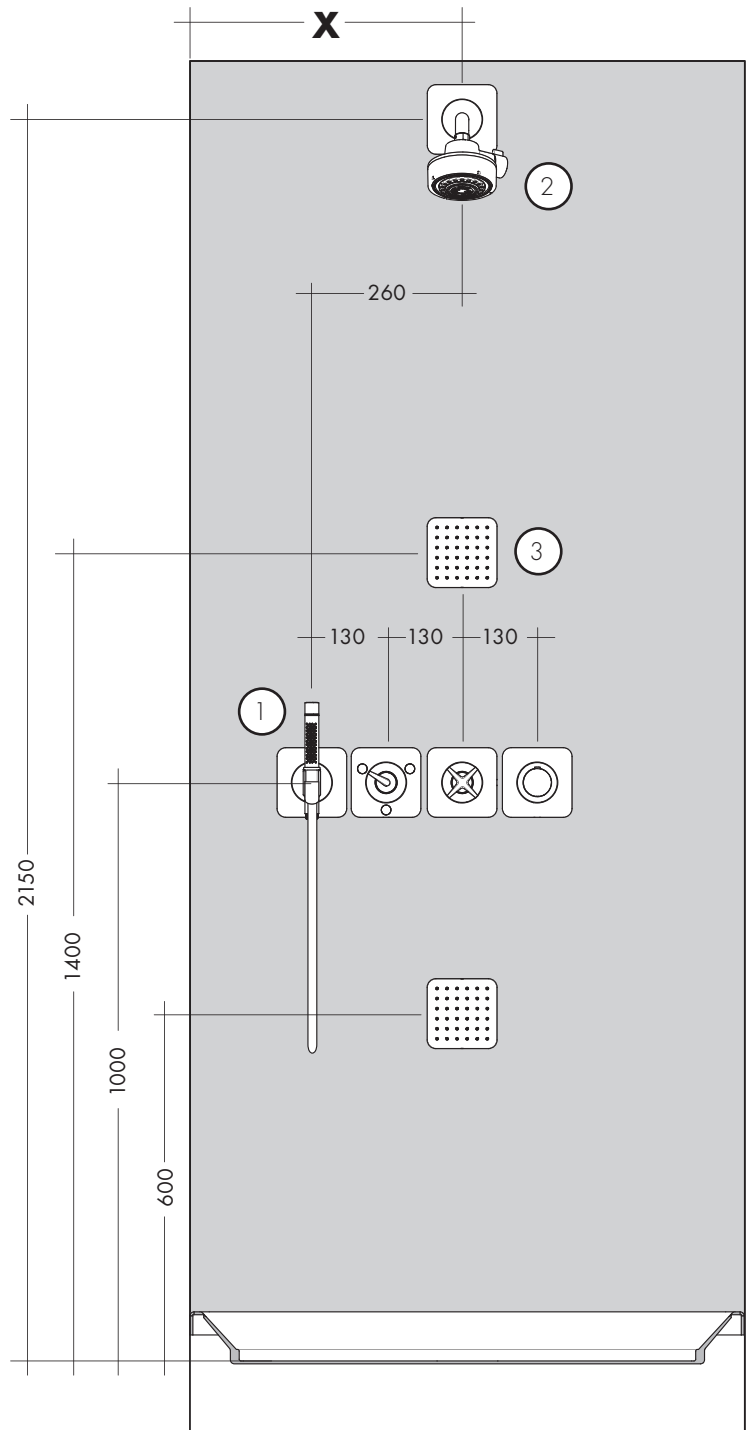
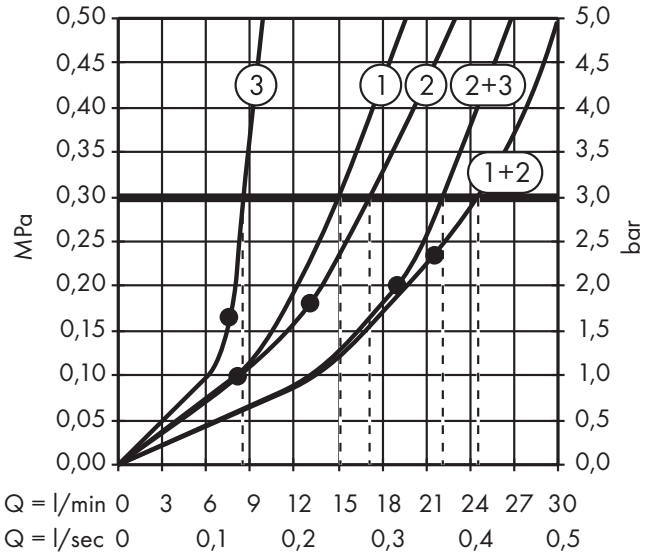
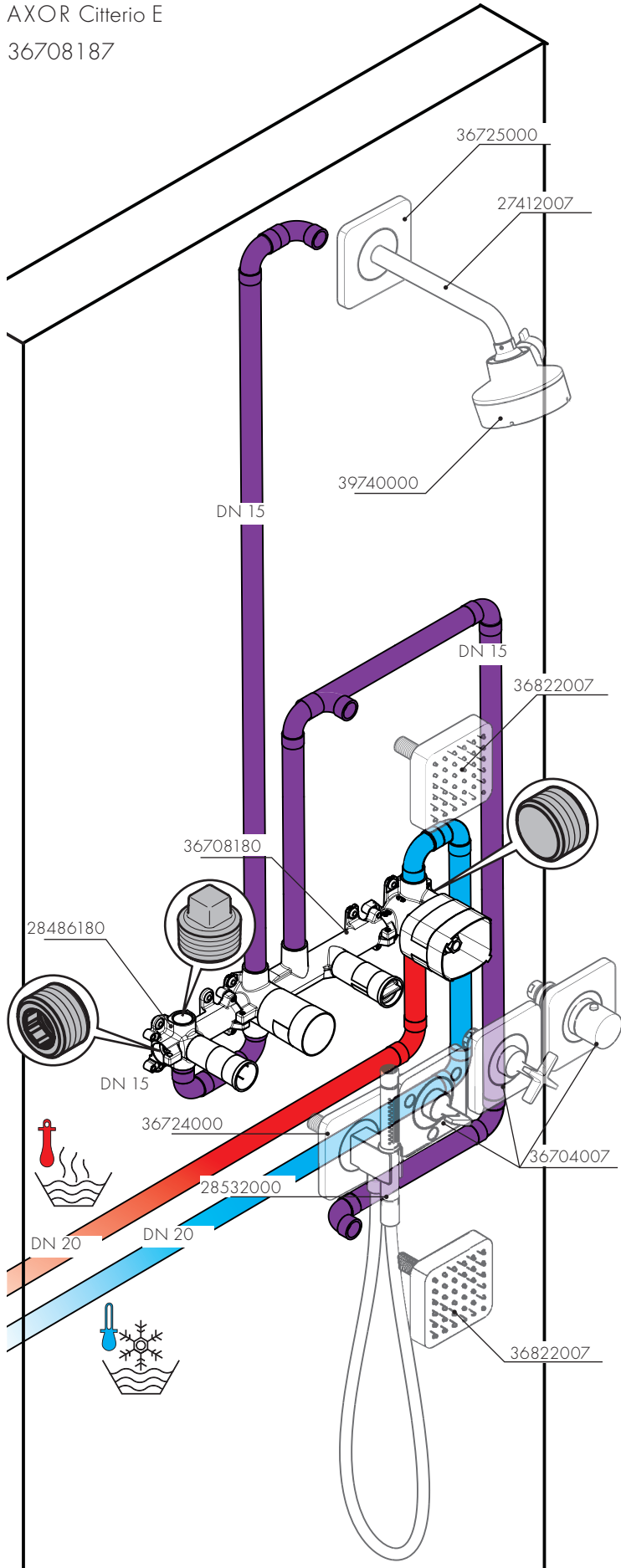


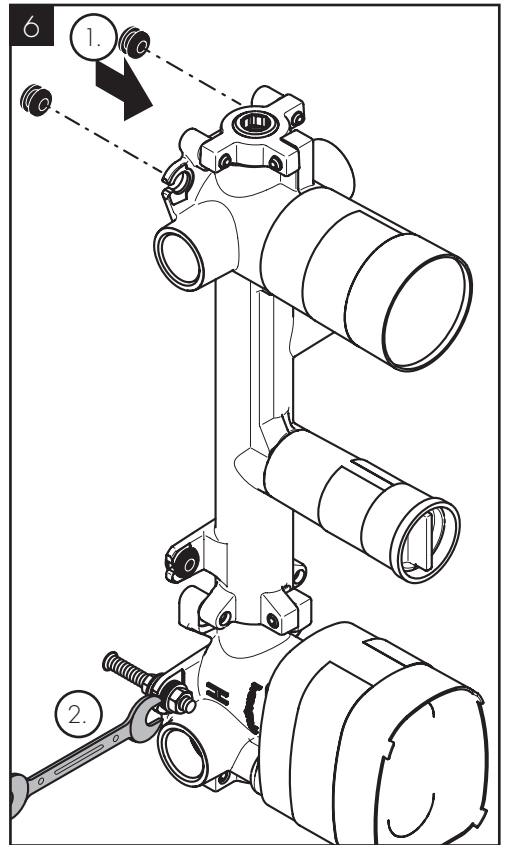
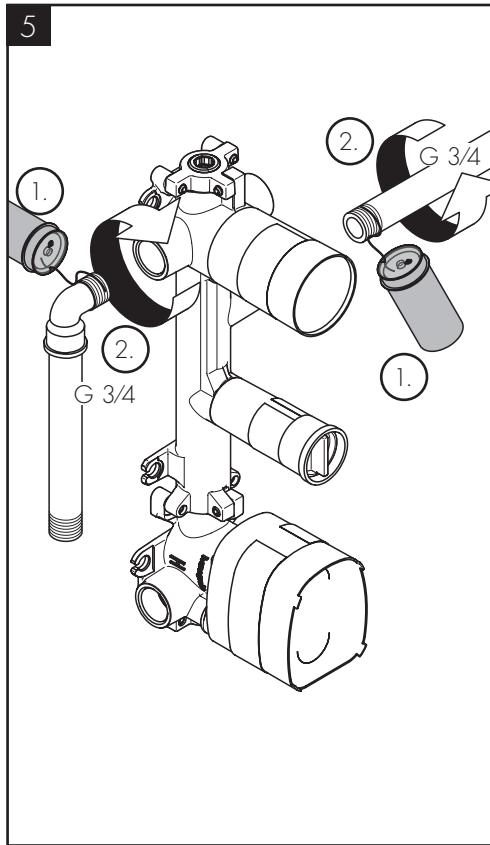
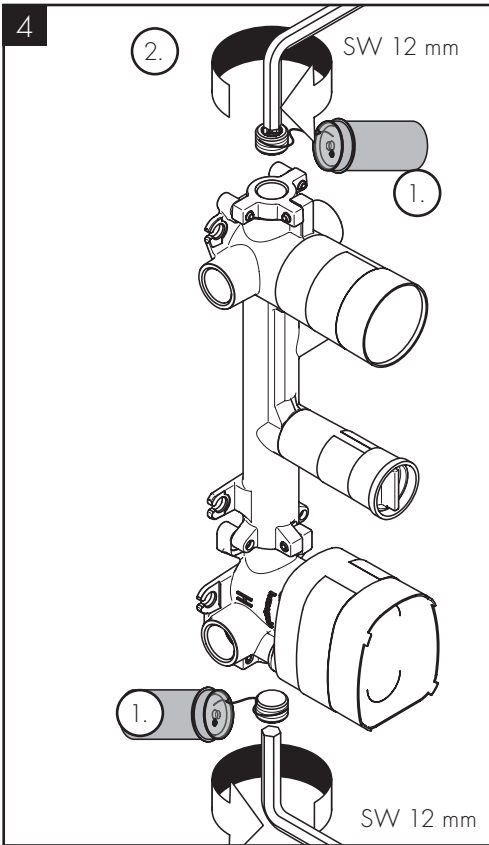
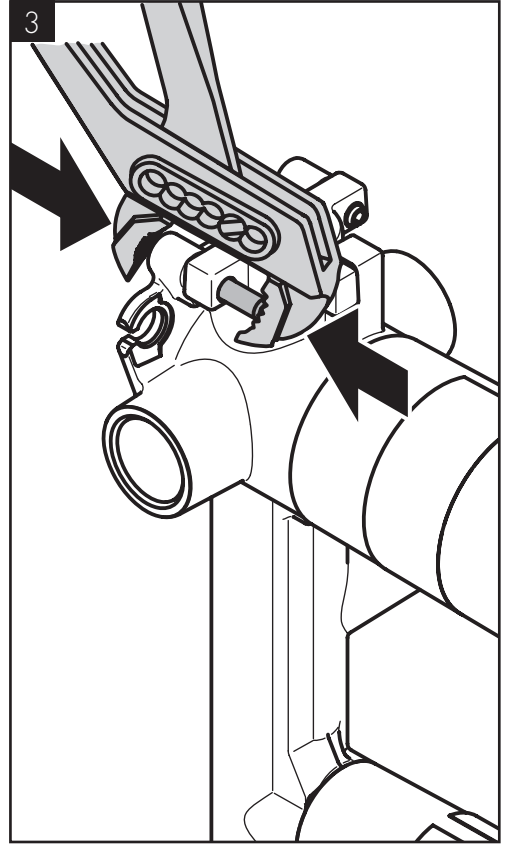
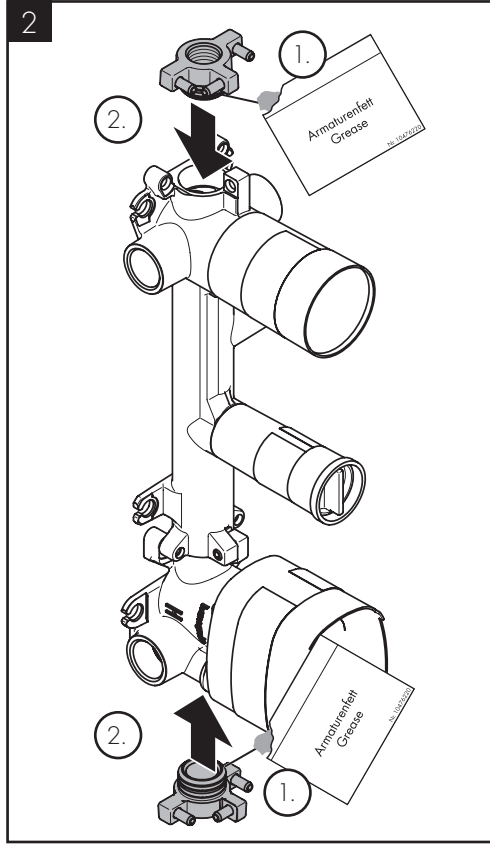
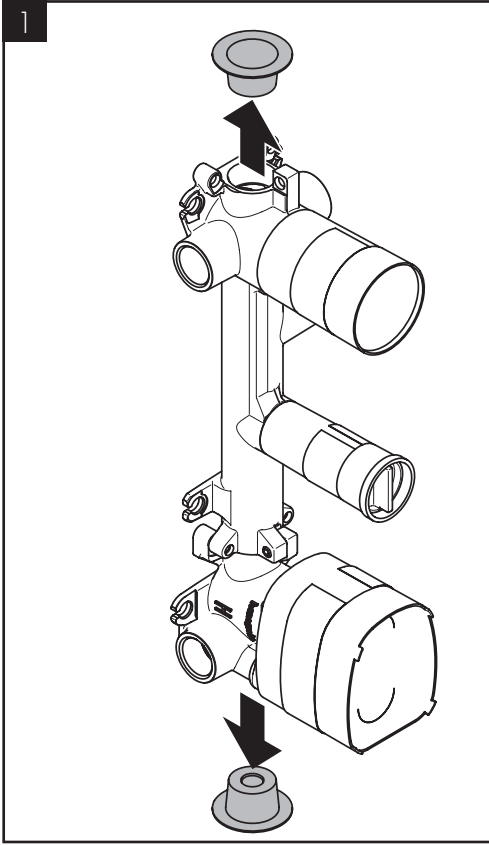
AXOR Citterio E  
36701187

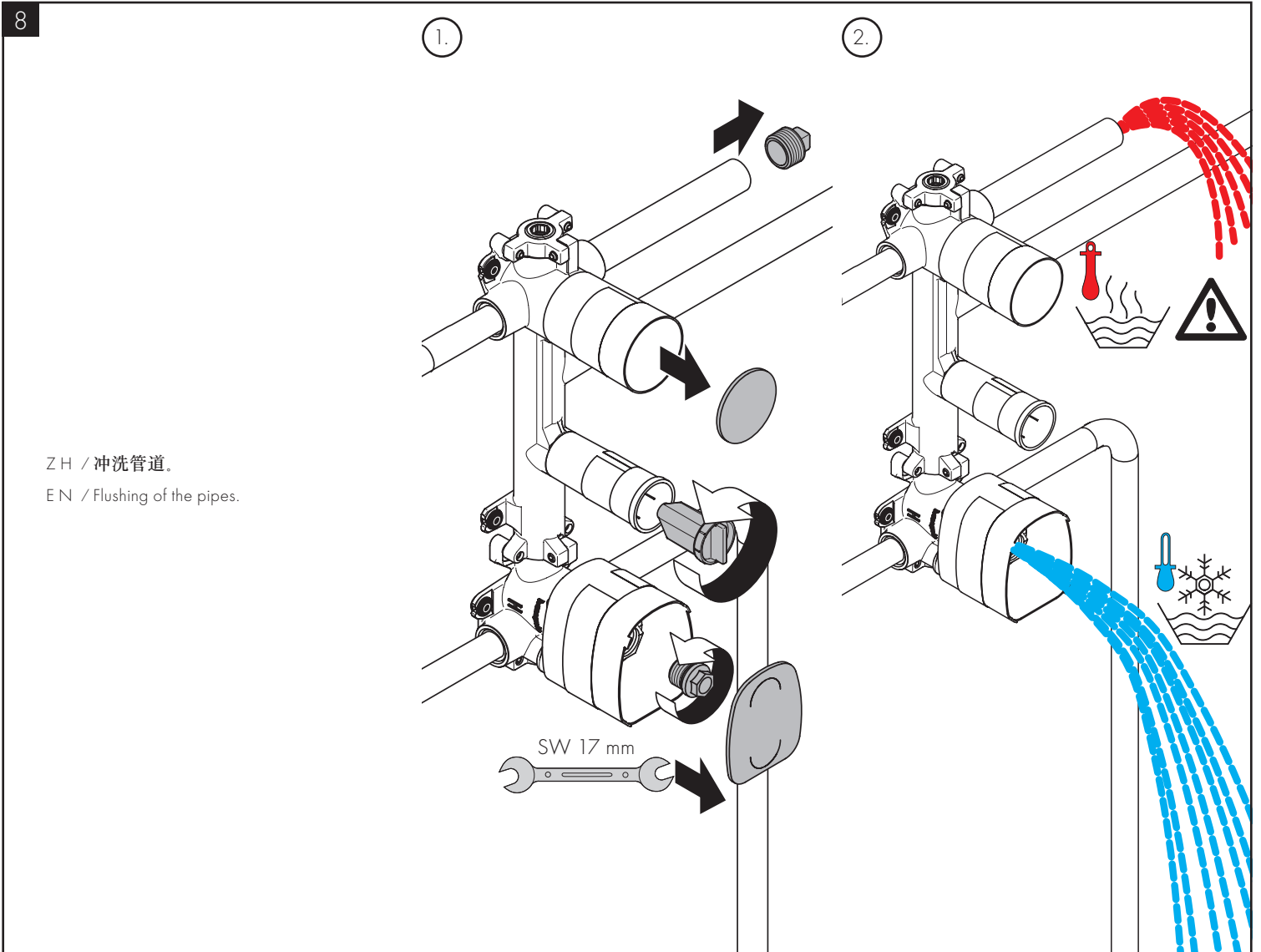
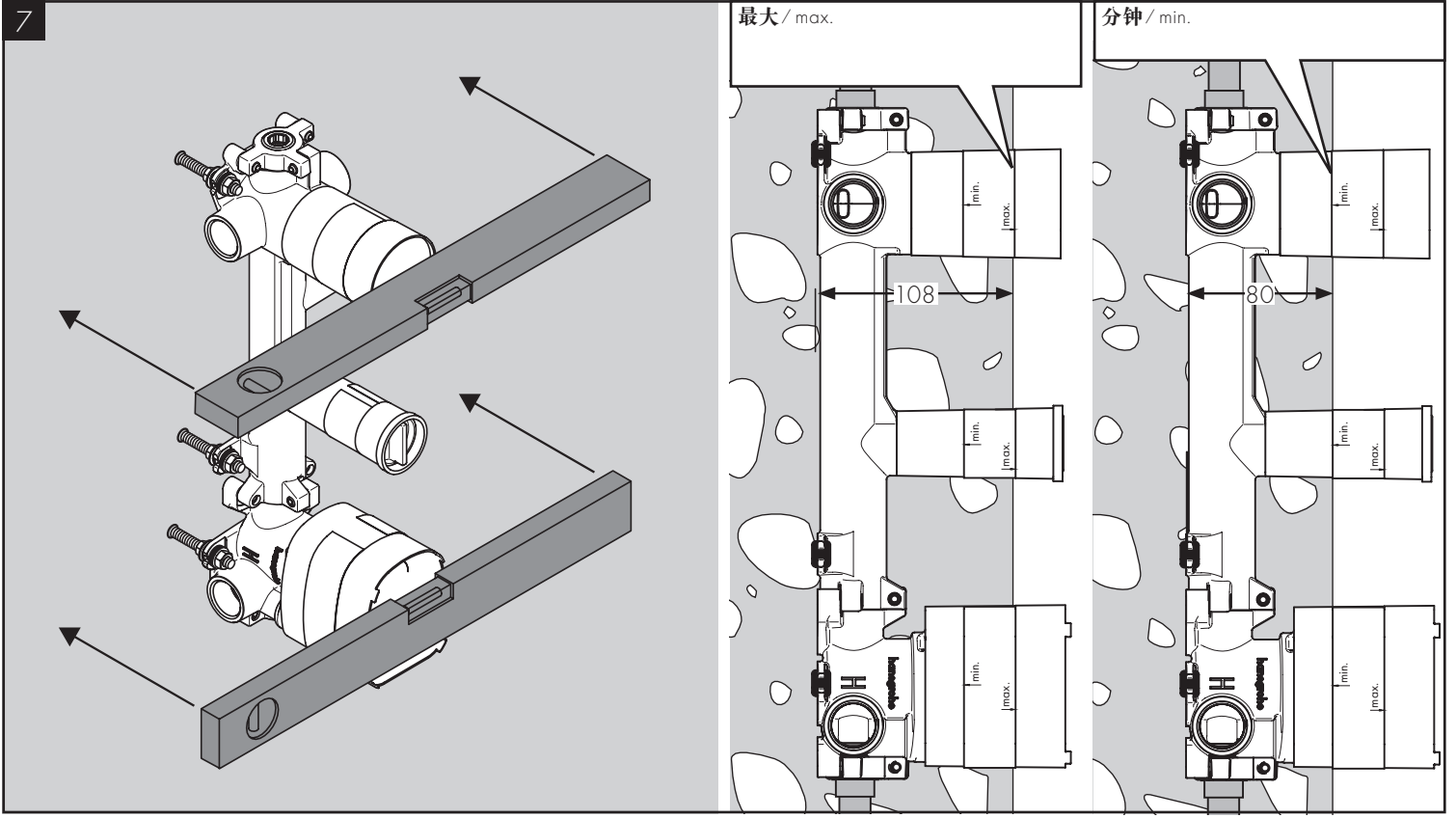




AXOR Citterio E  
36708187









ZH

**1** 将已经安装并经过检验的基体抹灰，或者在安装前壁时用壁覆面系统将其包覆。已抹灰的壁表面干燥后，使用硅胶（不含醋酸）对壁与塑料外壳之间的接缝点进行喷塑。

**2** 遵照制造商的说明，在边壁上使用PCI胶黏层或类似的密封材料。

**3** 锯开密封涨圈。  
指示说明！密封涨圈不可重叠。将密封圈套到塑料外壳上并压到胶水和硅胶中。

**4** 注意！不能热粘贴密封涂层。

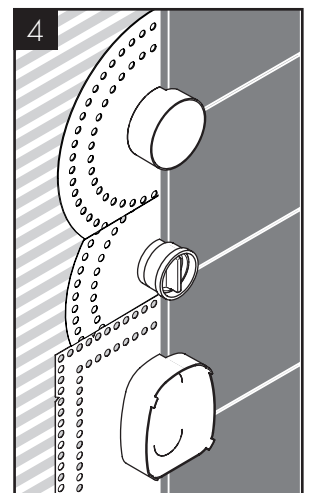
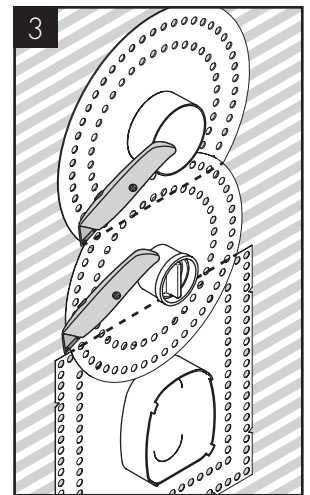
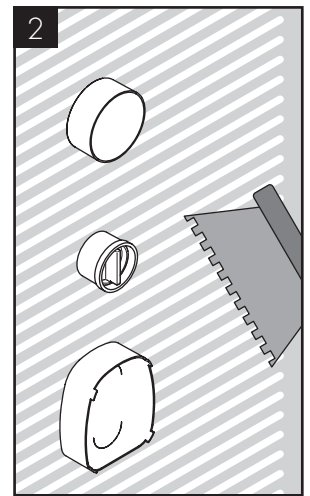
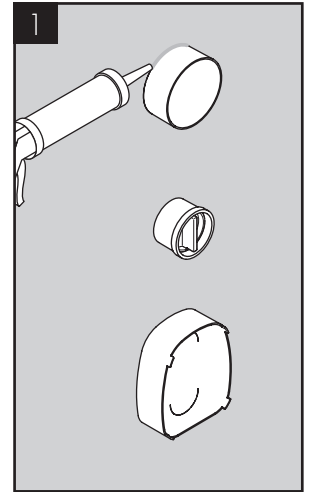
EN

**1** Plaster the installed and tested basic components, or cover with panelling if installed on the exterior of the wall. After the plastered wall surface has dried, fill the seam between the wall and the plastic housing with silicone (free of acetic acid).

**2** Apply PCI-Lastogum or similar sealing compound on the wall in accordance with manufacturers indications.

**3** Cut sealing collar to size  
NOTE! Sealing collars must not overlap Place a sealing collar over the plastic housing and press it into the glue and the silicone.

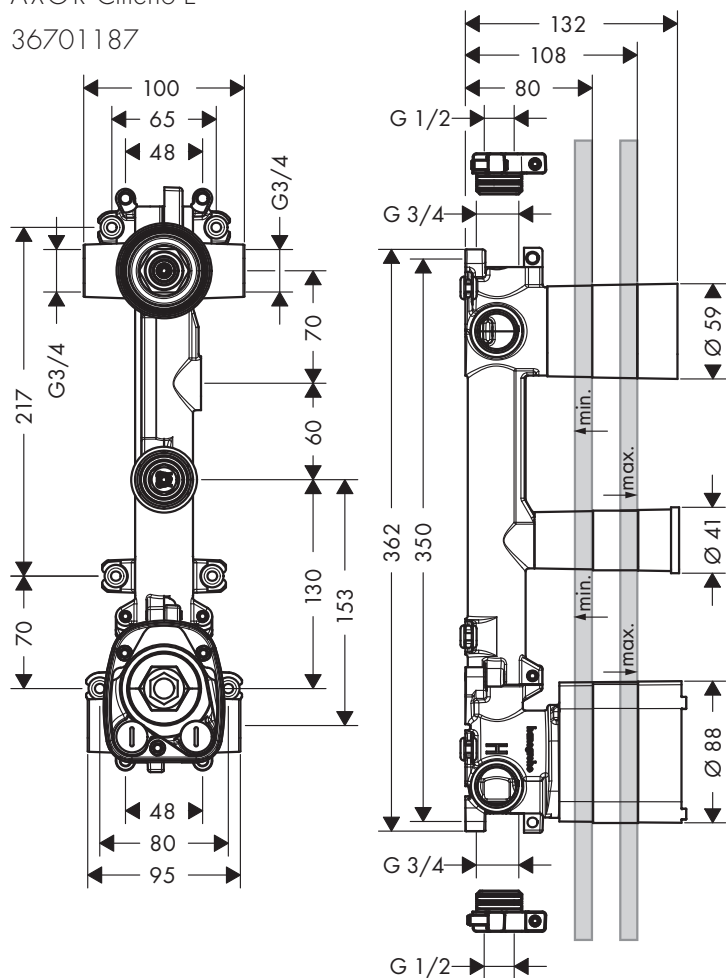
**4** IMPORTANT! The gasket is not suitable for hot glue.



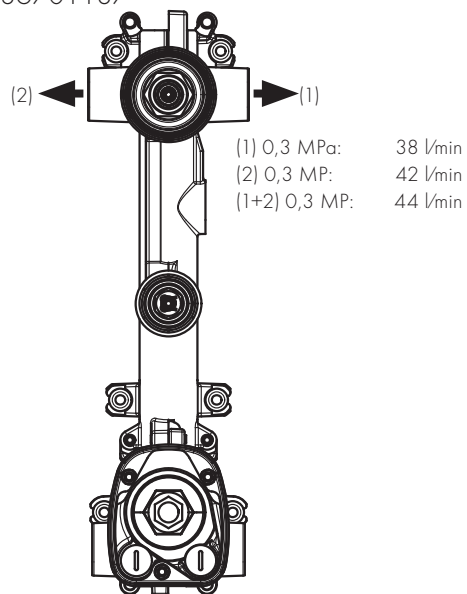




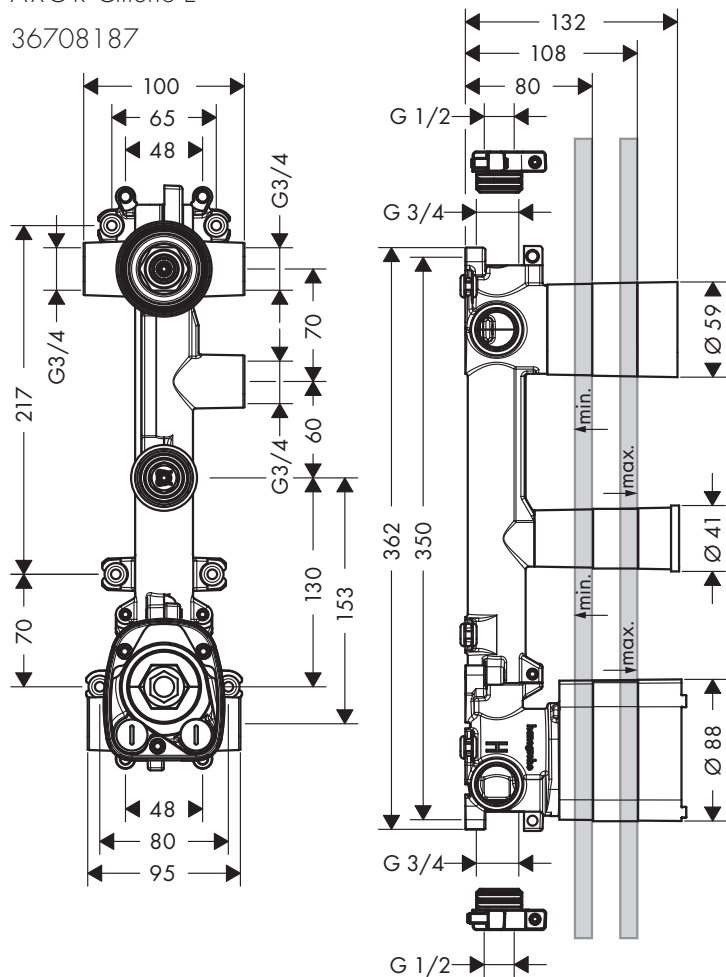
AXOR Citterio E  
36701187



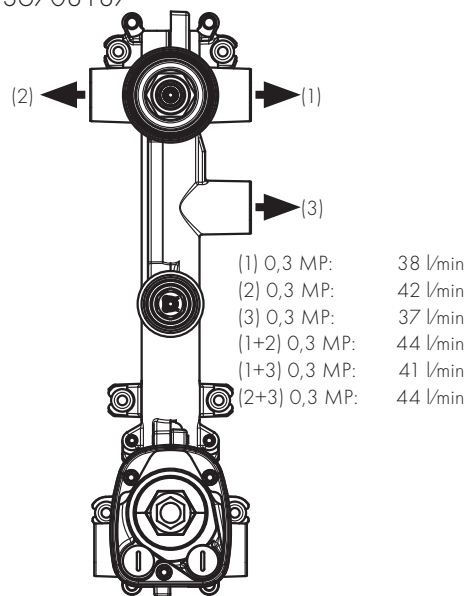
AXOR Citterio E  
36701187



AXOR Citterio E  
36708187

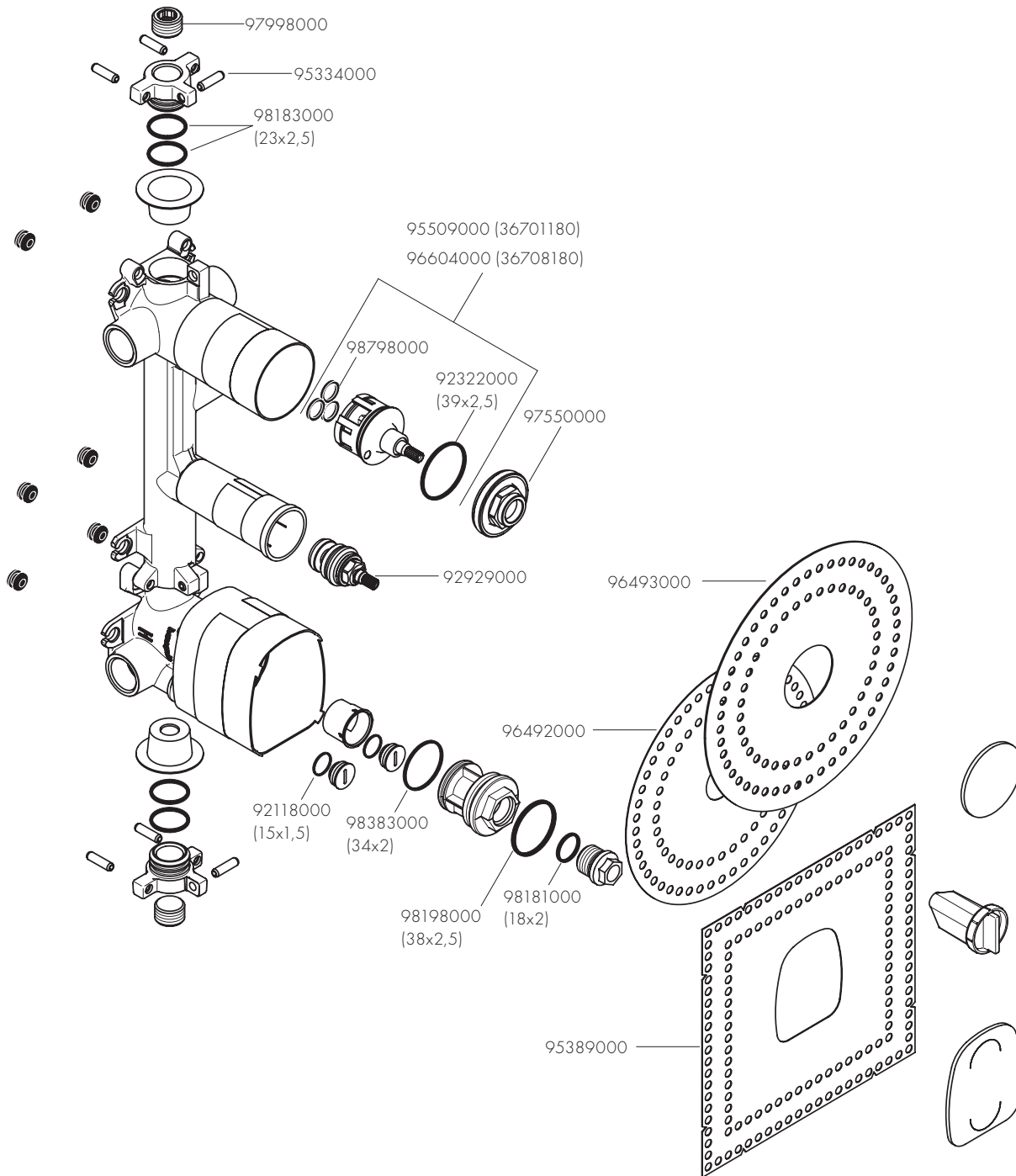


AXOR Citterio E  
36708187





AXOR Citterio E  
36701187/36708187





# AXOR

AXOR / Hansgrohe SE  
Austraße 5-9  
77761 Schiltach  
Deutschland

[info@axor-design.com](mailto:info@axor-design.com)  
[axor-design.com](http://axor-design.com)

07/2017  
9.02734.51