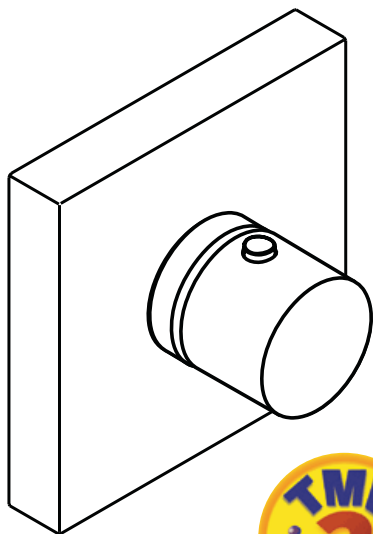


# Installation Instructions



Starck  
10755000



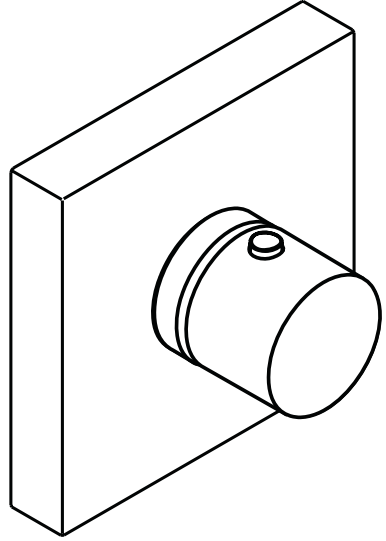
# AXOR<sup>®</sup>

hansgrohe

---

# Contents

Safety and Important Information	3
Pack Contents	4
Dimensions	4
Technical Data	5
Supply Conditions TMV2	5
Installation Requirements	6-7
<b>Installation</b>	
Thermostat	8-9
<b>Commissioning and in-service tests</b>	
Commissioning	12
In-service tests	12
Frequency of in-service tests	13
<b>Thermostatic Adjustment</b>	
Temperature Limitation	14
Calibrating Thermostat	14
Setting Thermostat Max. Temp.	15
Operating your Shower	16
Cleaning	16
Spare Parts	17
Trouble Shooting	18
Warranty	18



The **Thermostat Kit 10755000** meets the requirements of the **TMV2 Scheme**.

If there are any queries regarding this product or its installation, please contact the Hansgrohe technical hotline: **0870 7701975**

---

## Safety and Important Information

Hansgrohe products are safe provided they are installed, used and maintained in accordance with these instructions and recommendations.

Please read these instructions thoroughly and retain for future use.

The plumbing installation of this thermostat mixing valve must comply with the requirements of UK Water Regulations/Bylaws (Scotland), Building Regulations or any other regulations specified by the local Water Authority and supplier.

The installation of thermostatic mixing valves must comply with the requirements of the Water Supply (Water Fittings) Regulations 1999.

We strongly recommend that you use a plumber registered with or a member of an Association:

Institute of Plumbing (IOP) - throughout the UK  
National Association of Plumbing, Heating and Mechanical Services Contractors  
(NAPH & MSC) - England & Wales  
Water Industry Approved Plumber Scheme (WIAPS)

Dispose of plastic bags carefully

Keep children well away from the work area.

Check for hidden pipes and cables in the wall before drilling holes.

The unit must be mounted on a finished waterproofed wall surface (usually tiles).

If you are using power tools (e.g. to drill holes) wear safety glasses and always disconnect tools from the power supply after use.

Do not operate the shower unit if the hand shower or spray hose has been damaged or is blocked.

Do not block the flow of water from the hand shower, by placing it on your hand or any other part of your body or foreign object.

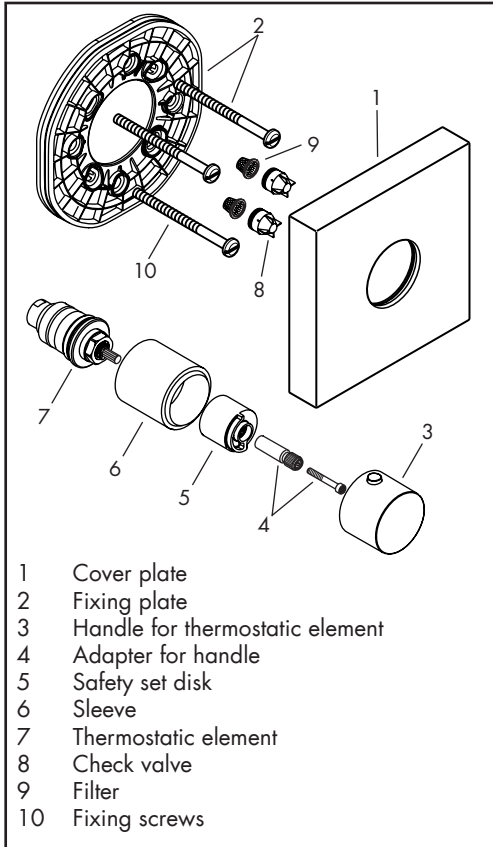
The thermostatic unit should be serviced annually by a qualified person to ensure maximum safety during use.

The fitting of isolation valves is required (preferred location page: 6 and 7; Installation Requirements).

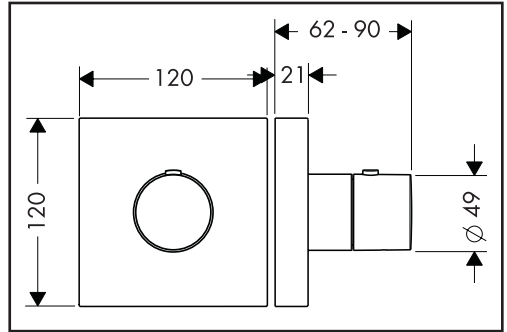
The mixer is fitted with check valves and filters (page 17 pos. 8 and 9). There are filters on the thermostatic element too (page 17 pos. 7).

## Pack Contents

Please check that you have been supplied with the following:



## Dimensions



**Starck 10755000**

# Technical Data

## Starck 10755000

This thermostatic valve will suit supplies of:  
HIGH PRESSURE (HP-S)

Operating pressure:	max. 10 bar
Recommended operating pressure:	0.5 - 5 bar
Test pressure:	16 bar
Hot water temperature:	max. 80°C
Recommended hot water temp.:	65°C
Rate of flow:	58 l/min. @ 3 bar
Maximum outlet temperature:	43°C +/-*
Safety check:	40°C
Hot water connection:	Left hand
Cold water connection:	Right hand
Minimum difference between hot water and mixed water temperature:	6 K
Hot and cold supply pressure should be balanced	

## Mixed water temperature

Application	Mixed water temperature (at point of discharge)
Bidet	38°C max.
Shower	41°C max.
Washbasin	41°C max.
Bath (44°C fill)	44°C max.
Bath (46°C fill)	46°C max.

\* For preset outlet temperature adjustment – See page 12 „Commissionsing“.

**NB.** If a water supply is fed by gravity then the supply pressure should be verified to ensure the conditions of use are appropriate for the valve. Valves operating outside of these supply conditions cannot be guaranteed to operate as a TMV2 or TMV3 valve.

## Recommended outlet temperatures

The BuildCert TMV scheme recommends the following set maximum mixed water outlet temperatures for use in all premises:

- 44°C for bath fill but see notes below;
- 41°C for showers;
- 41°C for washbasins;
- 38°C for bidets.

The mixed water temperatures must never exceed 46°C.

The maximum mixed water temperature can be 2°C above the recommended maximum set outlet temperatures.

**Note:** 46°C is the maximum mixed water temperature from the bath tap. The maximum temperature takes account of the allowable temperature tolerances inherent in thermostatic mixing valves and temperature losses in metal baths.

It is not a safe bathing temperature for adults or children.

The British Burns Association recommends 37 to 37.5°C as a comfortable bathing temperature for children. In premises covered by the Care Standards Act 2000, the maximum mixed water outlet temperature is 43°C.

# Supply Conditions TMV2

## Operating pressure range

Maximum static pressure - bar
Flow pressure, hot and cold - bar
Hot supply temperature - °C
Cold supply temperature - °C

## High pressure

10
0.5 to 5
55 to 65
5 to 25

# Installation Requirements

This thermostatic mixer valve must be installed in compliance with current Water Regulations. If you have any doubts about the Water Regulation requirements contact your local water services provider or use the services of a professional plumber.

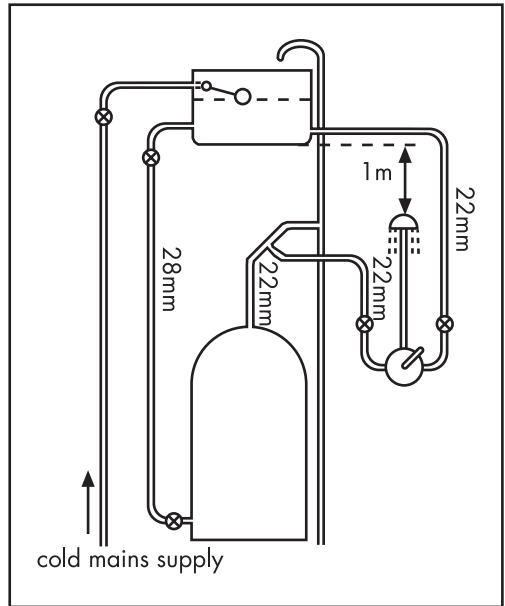
This mixer valve is suitable for use with the following water supply systems:

- Gravity Fed Hot and Cold (pressure balanced) 0.1 - 1.0 bar
- Gas Combination Boiler (multi-point) 1.0 - 10 bar\*
- Unvented System (pressure balanced) 1.0 - 10 bar
- Pumped System 1.0 - 10 bar

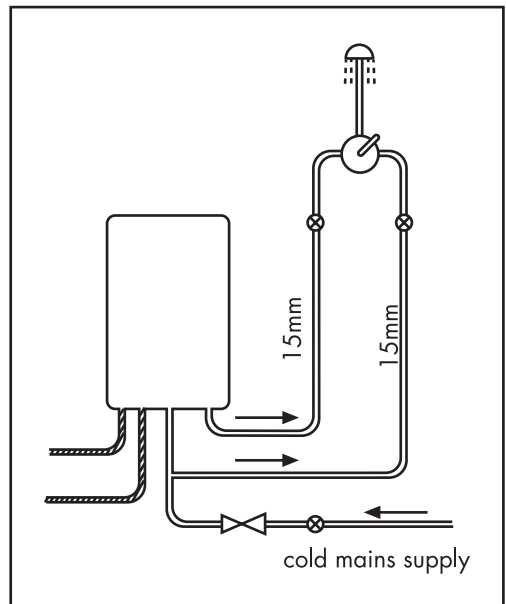
**IMPORTANT:** If you install this mixer with a gravity fed system, there must be a minimum head (vertical distance) from the underside of the cold water storage tank to the showerhead position of at least 1 metre.

Before connecting the mixer, water should be flushed through the system to remove all debris that might otherwise damage the valve.

\* If pressure is in excess of 3.5 bar, a pressure-reducing valve should be fitted.



Gravity Fed Hot and Cold (pressure balanced)



Gas Combination Boiler (multi-point)

## KEY



Isolating valve



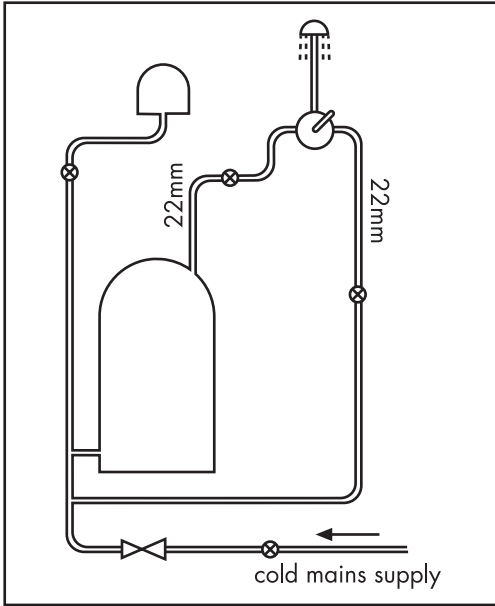
Reducing valve



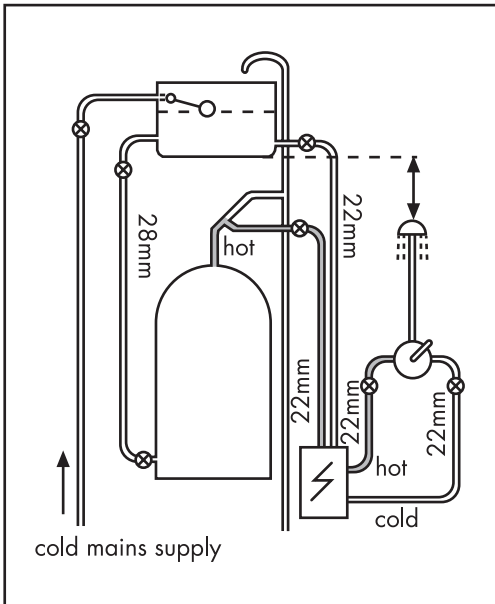
Mixer Valve



Pump



Unvented System (pressure balanced)



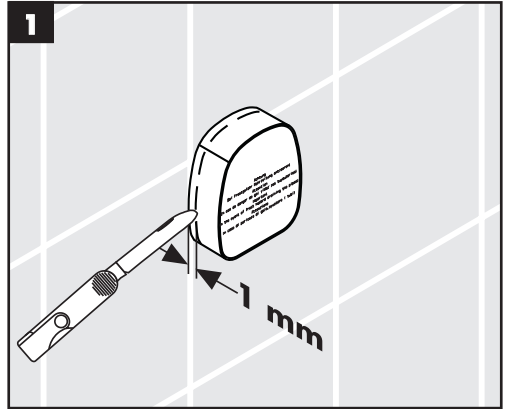
Pumped System

# Installation

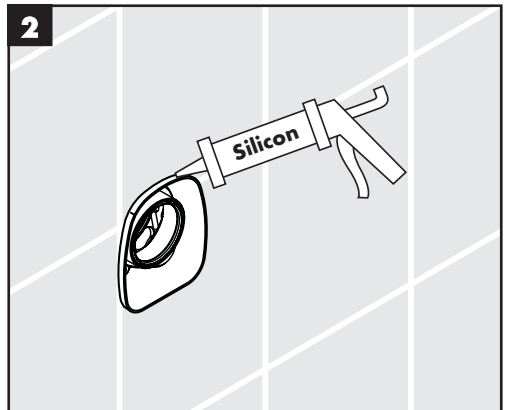
## Thermostat

The thermostatic mixing valve must be installed in a position that is easily accessible for commissioning and future servicing.

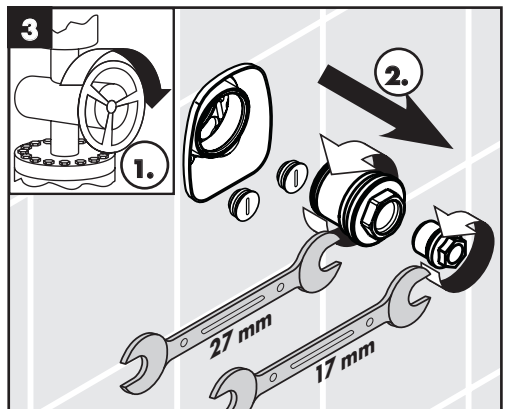
1. With the rough-in #10754180 fitted and the surface tiled, cut back the plastic rim to within 1 mm of the tiles (fig. 1)



2. Seal the gap between the plastic box and the tiles. Screw the fixing sleeves on the rough-in (fig. 2)

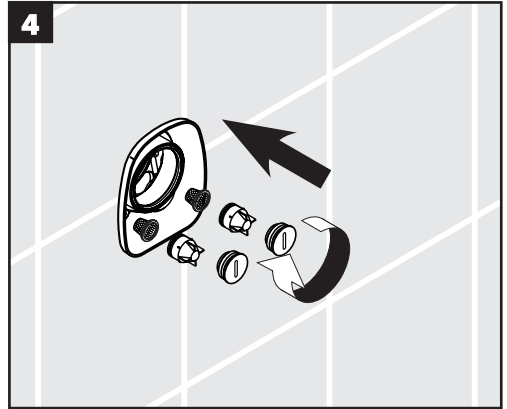


3. Shut-off water supply. Remove the plugs (fig.3)

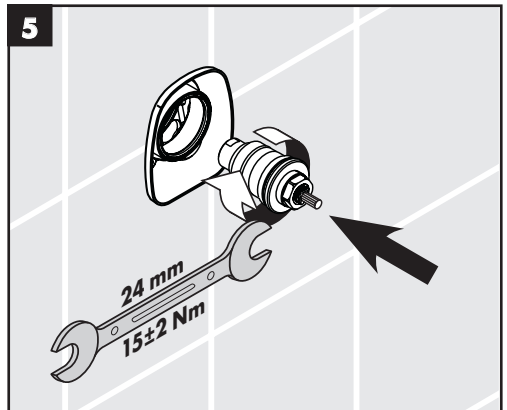




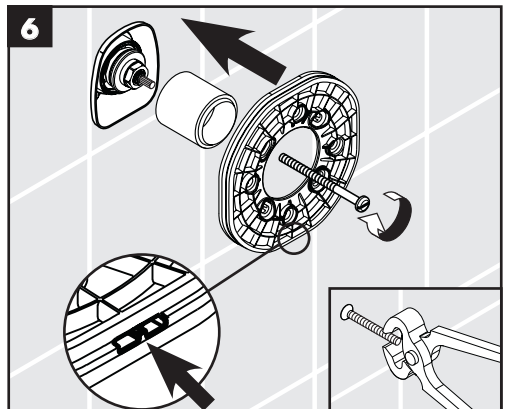
4. Assemble filters, check valves and plugs (fig.4)



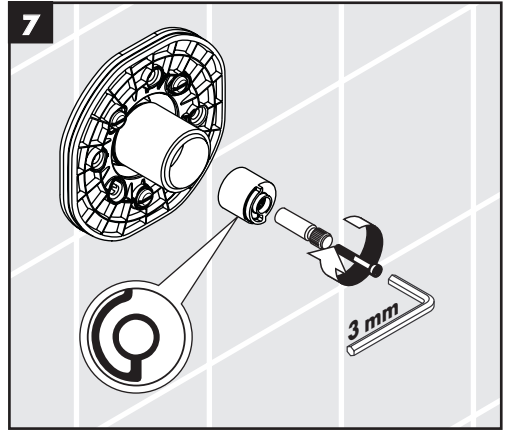
5. Assemble the thermostatic element (fig. 5)



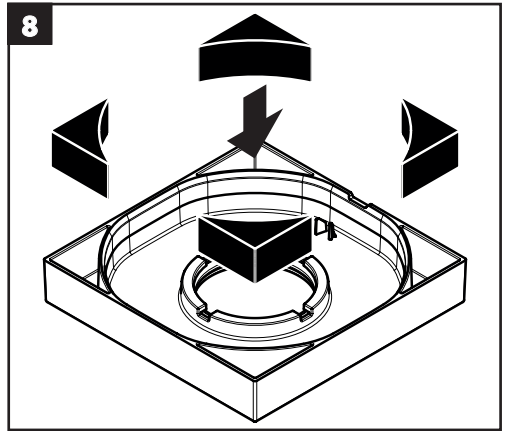
6. Assemble the sleeve. Place the fixing plate over the valve and fix with the screws supplied. If the screws are too long, shorten them with pincers (fig. 6).



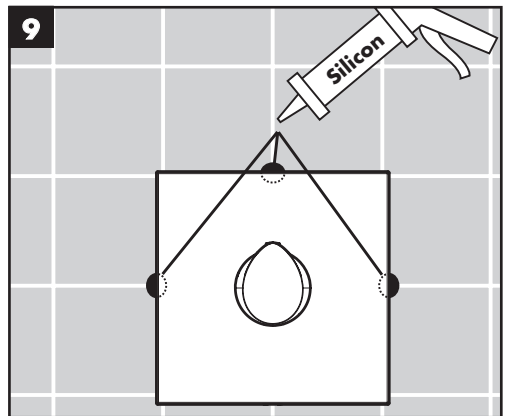
7. Assemble the safety set disk. Push-fit the spindle extension and fix in place with the allen screw. (fig. 7)



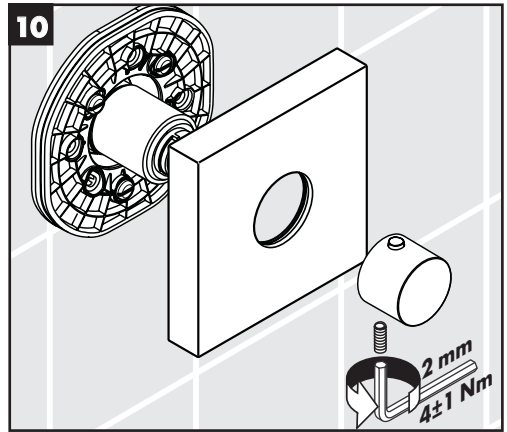
8. Assemble the four black triangles into the cover plate (fig. 8).



9. Seal the gap between tile joint and cover plate (fig. 9).



10. Fit the cover plate over the sleeve and push-fit evenly into place. Push-fit the handle and fix in place with the allen screw. (fig. 8).



---

# Commissioning and in-service tests

## Commissioning

### Purpose

Since the installed supply conditions are likely to be different from those applied in the laboratory tests it is appropriate, at commissioning, to carry out some simple checks and tests on each mixing valve to provide a performance reference point for future in-service tests.

### Procedure

1. Check that:
  - a) the designation of the thermostatic mixing valve matches the intended application
  - b) the supply pressures are within the range of operating pressures for the designation of the valve
  - c) the supply temperatures are within the range permitted for the valve and by guidance information on the prevention of legionella etc.
2. Adjust the temperature of the mixed water in accordance with the manufacturer's instructions and the requirement of the application and then carry out the following sequence:
  - a) record the temperature of the hot and cold water supplies
  - b) record the temperature of the mixed water at the largest draw-off flow rate
  - c) record the temperature of the mixed water at a smaller draw-off flow rate, which shall be measured
  - d) isolate the cold water supply to the mixing valve and monitor the mixed water temperature
  - e) record the maximum temperature achieved as a result of (d) and the final stabilised temperature

NOTE: The final stabilised mixed water temperature should not exceed the values in Table A.

- f) record the equipment, thermometer etc. used for the measurements

**Table A: Guide to maximum stabilised temperatures recorded during site tests**

<b>Application</b>	<b>Mixed water temperature</b>
Shower	43°C
Washbasin	43°C
Bath (44°C fill)	46°C
Bath (46°C fill)	48°C

The mixed water temperature at terminal fitting should never exceed 46°C.

If there is a residual flow during the commissioning or the annual verification (cold water supply isolation test), then this is acceptable providing the temperature of the water seeping from the valve is no more than 2°C above the designated maximum mixed water outlet temperature setting of the valve. Temperature readings should be taken at the normal flow rate after allowing for the system to stabilise. The sensing part of the thermometer probe must be fully submerged in the water that is to be tested. Any TMV that has been adjusted or serviced must be re-commissioned and re-tested in accordance with the manufacturers' instructions.

---

## In-service tests

### Purpose

The purpose of in-service tests is to regularly monitor and record the performance of the thermostatic mixing valve. Deterioration in performance can indicate the need for service work on the valve and/ or the water supplies.

### Procedure

1. Carry out the procedure **2.** (a) to (c) on page 10 using the same measuring equipment, or equipment to the same specifications.
2. If the mixed water temperature has changed significantly from the previous test results (e.g. > 1 K), record the change and before re-adjusting the mixed water temperature check:
  - a) that any in-line or integral strainers are clean
  - b) any in-line or integral check valves or other anti-backsiphonage devices are in good working order
  - c) any isolating valves are fully open
3. With an acceptable mixed water temperature, complete the procedure **2.** (a) to (c) on page 10.
4. If at step **2.** (e) on page 10 the final mixed water temperature is greater than the values in Table A and / or the maximum temperature exceeds the corresponding value from the previous test results by more than about 2 K, the need for service work is indicated.

NOTE: In-service tests should be carried out with a frequency which identifies a need for service work before an unsafe water temperature can result. In the absence of any other instruction or guidance, the procedure described in „Frequency of in-service tests“ may be used.

## Frequency of in-service tests TMV3\*

### General

In the absence of any other instruction or guidance on the means of determining the appropriate frequency of in-service testing, the following procedure may be used:

1. 6 to 8 weeks after commissioning carry out the tests given in **2.** on page 10.
2. 12 to 15 weeks after commissioning carry out the tests given in **2.** on page 10.
3. Depending on the results of **1.** and **4.** several possibilities exist:
  - a) If no significant changes (e.g.  $\leq 1$  K) in mixed water temperatures are recorded between commissioning and **1.**, or between commissioning and **4.** the next in-service test can be deferred to 24 to 28 weeks after commissioning.
  - b) If small changes (e.g. 1 to 2 K) in mixed water temperatures are recorded in only one of these periods, necessitating adjustment of the mixed water temperature, then the next in-service test can be deferred to 24 to 28 weeks after commissioning.
  - c) If small changes (e.g. 1 to 2 K) in mixed water temperatures are recorded in both of these periods, necessitating adjustment of the mixed water temperature, then the next in-service test should be carried out at 18 to 21 weeks after commissioning.
  - d) If significant changes (e.g. > 2 K) in mixed water temperatures are recorded in either of these periods, necessitating service work, then the next in-service test should be carried out at 18 to 21 weeks after commissioning.
4. The general principle to be observed after the first 2 or 3 in-service tests is that the intervals of future tests should be set to those which previous tests have shown can be achieved with no more than a small change in mixed water temperature.

\*TMV2: The frequency of performing the in-service tests is 1 year maximum.

# Thermostatic Adjustment

## Temperature Limitation

The temperature is limited by the safety stop to 40°C. If a higher temperature is required, it is possible to over ride the safety stop by depressing the safety button.

**NB.** It is recommended that for **private domestic use** the maximum mixed water temperature be set at the following factory set values:

Shower Mixer 43°C

Bath/Shower 46°C

Temperatures can be set by following the procedures under „**Setting thermostat to a maximum temperature**“. This ensures that after correct installation the outlet temperature of the water can never exceed 43°C.

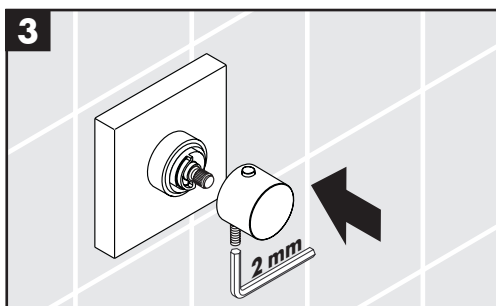
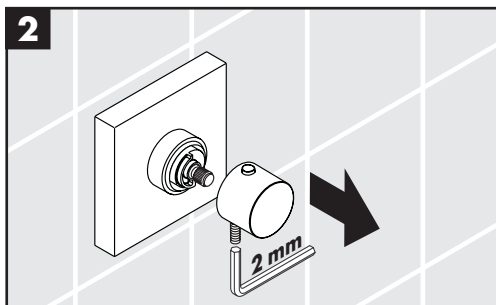
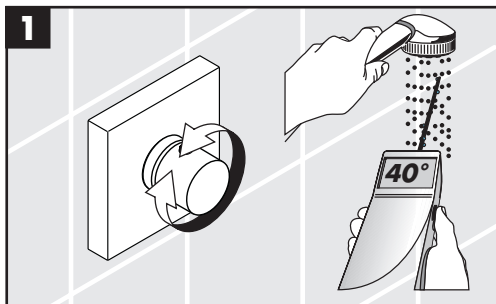
To guarantee a smooth running of the thermostatic element, it is necessary from time to time to turn the thermostat from total hot to total cold. The thermostatic mixer valve should be checked annually by a qualified person to ensure correct operation.

The mixer is fitted with check valves and filters (page 17 pos. 8 and 9). There are filters on the thermostatic element too (page 17 pos. 7). If the water flow drops the filters need to be cleaned. Proceed as follows:

1. Shut-off water supply.
2. Undo the screw and pull off the handle and safety set disk.
3. Remove the faceplate, the sleeve, the safety set disk and the spindle extension.
4. Remove the thermostatic element, clean filters and lubricate the seals. Clean the filters and test the check valves too.
5. Reassemble in reverse order and calibrate unit.

## Calibrating Thermostat

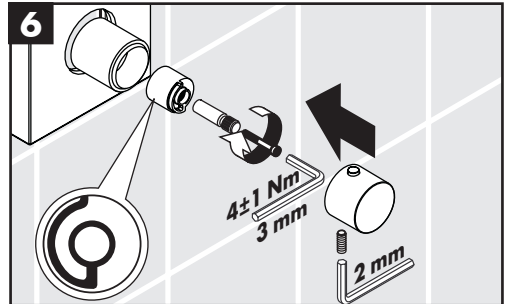
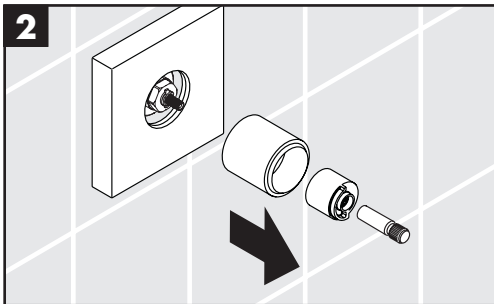
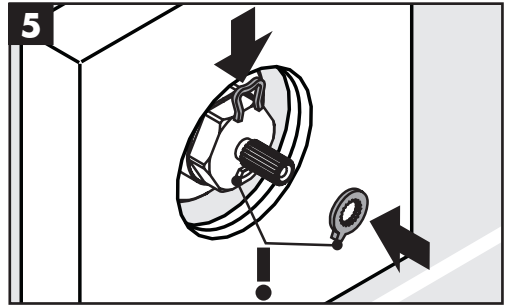
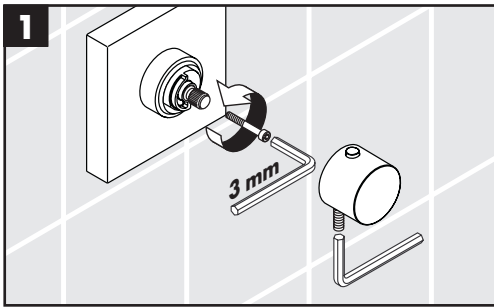
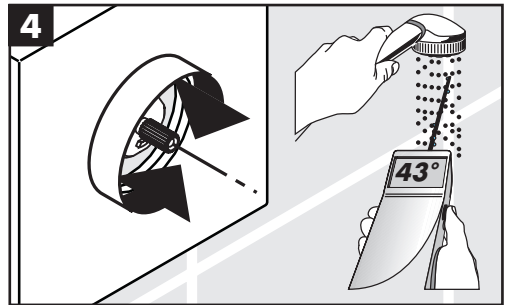
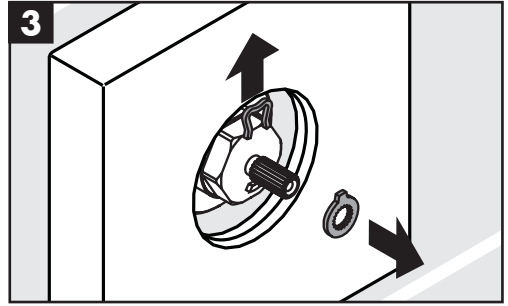
1. If the temperature reading is different to the showering temperature, turn the thermostat handle until a 40°C reading is shown on your thermometer (fig.1).
2. Undo the screw and pull off the handle (fig.2).
3. Rotate the handle so the button is positioned at 12 o'clock and re-fit onto the spindle. (fig.3)



## Setting thermostat to a maximum temperature (Optional)

The desired maximum temperature (43°C) can be preset using the safety function. Proceed as follows:

1. Undo the screw and pull off the handle. Undo the fixing screw. (fig. 1).
2. Remove the sleeve, the safety set disk and the spindle extension (fig. 2).
3. Remove the circlip from the spindle and slide off the locking ring (fig. 3).
4. Turn the spindle until the required maximum temperature is reached (43°C). You will need to use a thermometer (fig. 4).
5. Replace the locking ring back onto the spindle as shown. Refit the circlip (fig. 5).
6. Push the sleeve onto the thermostat cartridge and re-fit the safety set disk as shown. Rotate the handle so the button is positioned at 12 o'clock and re-fit onto the spindle. Tighten the screw (fig. 6).



---

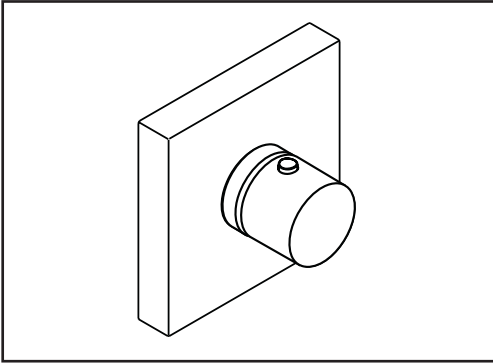
## Operating your Shower

### Temperature Control

Turn the thermostat handle anti-clockwise to increase the water temperature and clockwise to decrease the water temperature.

### Thermostatic

The valve automatically adjusts for changes in flow supply and maintains the outlet set water temperature.



## Cleaning

### Cleaning materials for Mixers and Showers

Acids are necessary ingredients of cleaning materials for removing lime. However please pay particular attention to the following points when cleaning mixers and showers:

- Only use cleaning material specifically intended for this type of cleaning - such as Hansgrohe's Decalcifying Agent, available through the specialist sanitary trade.

- Never use cleaning materials which contain hydrochloric, formic or acetic acid, as they cause considerable damage.

- Never use Phosphoric acid as it can cause damage.

- Never mix any cleaning material with another.
- Never use cleaning materials on appliances with an abrasive effect, such as unsuitable cleaning powders, sponge pads or micro fibre cloths.

### Cleaning Instructions for Mixers and Showers

Please follow the cleaning materials manufacturer's instructions. In addition pay attention to the following points:

- Clean the mixers and showers as and when required.

- The cleaning dosage and time the cleaner needs to take effect should be adjusted according to the product and the cleaner should not be left longer than necessary.

- Regular cleaning can prevent calcification.

- When using spray cleaner, spray first into a cloth or sponge never directly onto the sanitary tapware, as drops could enter openings and gaps and cause damage.

- After cleaning, rinse thoroughly with clean water to remove any cleaner residue.

### Important

Residues of liquid soaps, shampoos and shower foams can also cause damage, so rinse with clean water after use.

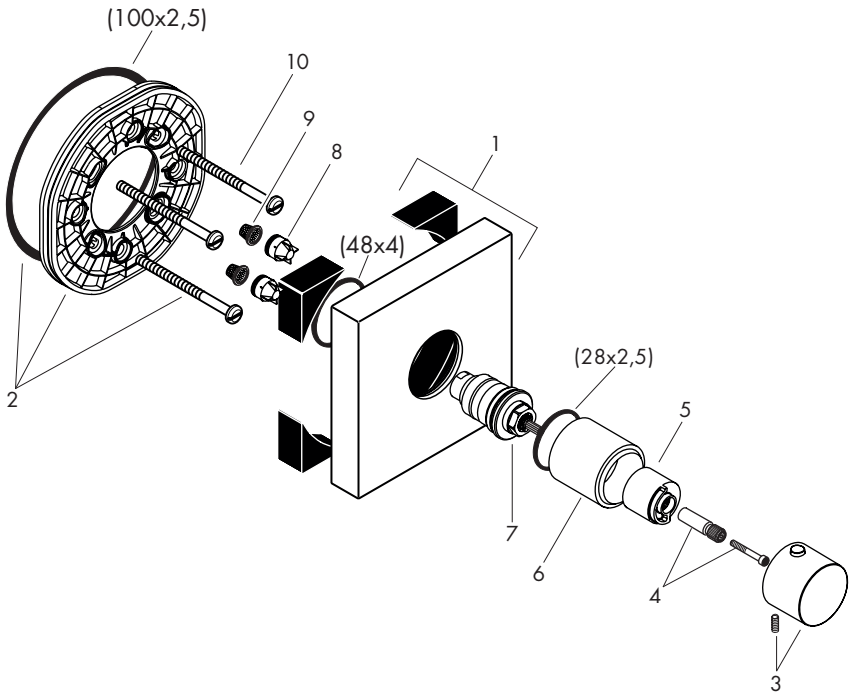
If the surface is already damaged, the effect of cleaning materials will cause further damage.

**Damage caused by improper treatment will not be covered by our guarantee.**



# Spare Parts

## Thermostat kit



1	Cover plate	95467000
2	Fixing plate	95450000
3	Handle for thermostatic element	95316000
4	Adapter for handle	98701000
5	Safety set disk	97334000
6	Sleeve	95331000
7	Thermostatic element	96633000
8	Check valve	97350000
9	Filter	97973000
10	Fixing screws	96454000

---

# Trouble Shooting

<b>Fault</b>	<b>Cause</b>	<b>Remedy</b>
Insufficient water flow	<ul style="list-style-type: none"><li>- Supply pressure inadequate</li><li>- Shower filter seal dirty</li><li>- Thermostat cartridge filters dirty</li></ul>	<ul style="list-style-type: none"><li>- Check mains pressure</li><li>- Clean filter seal between shower and hose</li><li>- Remove cartridge &amp; clean the filters on the barrel</li></ul>
'Crossflow', hot water is forced into cold water pipe, or vice versa	<ul style="list-style-type: none"><li>- check valves dirty or leaking</li></ul>	<ul style="list-style-type: none"><li>- Clean check valves - replace if necessary</li></ul>
Spout temperature does not correspond with the temperature set	<ul style="list-style-type: none"><li>- Thermostat has not been adjusted</li><li>- Hot water temperature too low</li></ul>	<ul style="list-style-type: none"><li>- Calibrate thermostat</li><li>- Increase hot water temperature</li></ul>
No temperature control	<ul style="list-style-type: none"><li>- Thermostat cartridge failure or blocked filters</li></ul>	<ul style="list-style-type: none"><li>- Check/clean filters</li><li>- Replace cartridge</li></ul>
Shower or spout dripping	<ul style="list-style-type: none"><li>- Dirt in the flow valve or 'shut off' unit damaged</li></ul>	<ul style="list-style-type: none"><li>- Clean or replace shut-off unit</li></ul>

## Warranty

You have purchased a quality product from Hansgrohe. All parts which show any kind of fault as far as construction, material or assembly are concerned within the first 24 months after installation, we will repair or exchange the part in question free of charge. Faulty items become our property.

We do not grant warranty for faults caused by:

unsuitable or improper use; incorrect assembly; installation started and/or completed by a non-qualified plumber, natural wear out, improper or careless treatment, lack of maintenance; unsuitable usage; chemical, electro-chemical or electrical influences.

**Technical Hotline**

**0 870 7701975**

**E-mail**

[Technical@hansgrohe.co.uk](mailto:Technical@hansgrohe.co.uk)



---

**Technical Hotline**

**0 870 7701975**

**E-mail**

[Technical@hansgrohe.co.uk](mailto:Technical@hansgrohe.co.uk)

**hansgrohe**

Hansgrohe · Auestraße 5 · 9 · D-77761 Schiltach · Telefon +49 (0) 78 36/51-1282 · Telefax +49 (0) 7836/511440  
E-Mail: [info@hansgrohe.com](mailto:info@hansgrohe.com) · Internet: [www.hansgrohe.com](http://www.hansgrohe.com)