



hansgrohe

# RainDrain

---

Systematic drainage

# RainDrain - shower drains

A cohesive bathroom design is key to creating that special feel-good factor – and this is particularly true for your customer’s shower. RainDrain offers the right colour and finish to match its surroundings - especially other hansgrohe products such as showers or mixers. And it is not just the perfectly coordinated look that’s important, but also the durability.

- 04** Introduction to RainDrain
- 08** Parts to order
- 10** Range overview
- 12** RainDrain Flex
- 14** RainDrain Compact
- 16** RainDrain Match
- 18** RainDrain Minimalistic
- 20** RainDrain Allround
- 22** RainDrain Original
- 24** RainDrain Match Plus
- 26** RainDrain Rock
- 28** RainDrain Brilliance
- 30** RainDrain Spot
- 32** RainDrain Point
- 34** RainDrain Board
- 36** RainDrain Turn
- 38** uBox
- 40** Complementary wetroom components
- 42** Installation guides



# RainDrain: a sensational sight in the shower

With RainDrain, you benefit from a wide range of designs and drainage solutions to meet the requirements of any bathroom project. You also benefit from easy and safe installation, as there is one basic set (uBox universal) for the linear drains. As for safety, you can rely on the proven technologies that guarantee the drain will remain leak-free for years to come.



One base set for all linear shower drains.

RainDrain is a high quality shower drainage system that seamlessly blends into your shower.



#### RainDrain at a glance:

- High-grade shower drainage system developed in collaboration with the drainage specialists from ESS.
- Perfect drainage solution for any bathroom project with a floor-level shower.
- Two water seal heights for new builds and renovations.
- Optional Dryphon technology for minimal cleaning and maximal capacity of up to 60 l/min.
- Secure, integrated waterproofing thanks to factory-assembled sealing membrane as per DIN 18534.
- One base set for all hansgrohe linear shower drains.
- Floor-level showers with RainDrain shower drains offers greater mobility and accessibility.
- The drainage capacity is specifically tailored to hansgrohe shower systems.
- Various surfaces and finishes that perfectly match the mixers.



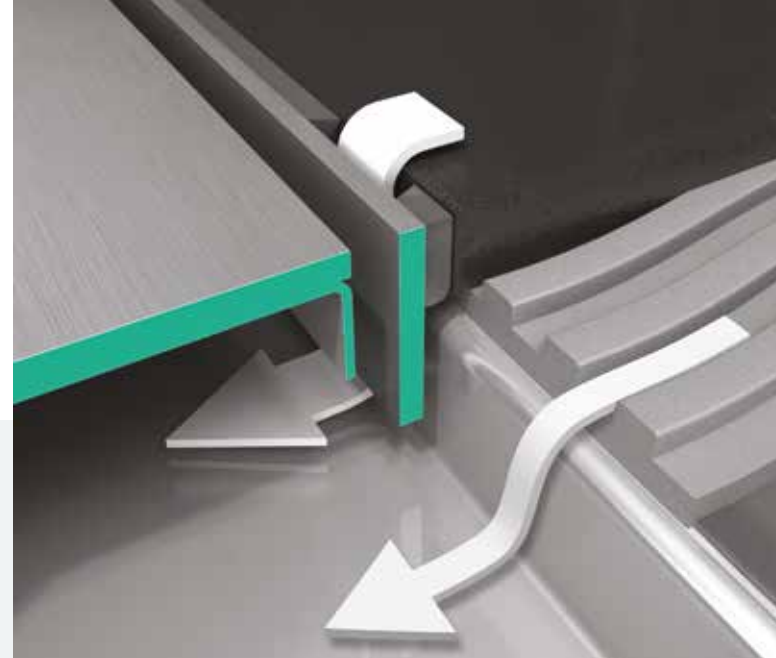
# Technology

## Drainage reinvented: Dryphon

The design and high flow rate prevent dirt and hair from attaching, minimising cleaning efforts. The patented design offers a significant improvement in drainage capacity up to 60 litres per minute, exceeding all standard requirements and regulations.

The Dryphon system opens and closes with a flexible membrane. This membrane allows water to pass through when needed while blocking sewer gases when no water is flowing through. Also, because it does not rely on a traditional water seal to seal the connection to the sewer, it cannot dry out while still controlling pressure differences.

Minimum cleaning combined with higher drainage capacity



## Secondary drainage

Not only can the height adjustable frame be used to the tile level but also to enable secondary drainage. With secondary drainage, water that penetrates through the sealing joints or defective tile joints will drain off to the shower channel thanks to its slope.

For secondary drainage, the entire wet area must be professionally sealed and no seal must be applied under the maintenance joint between the frame and the installation set.

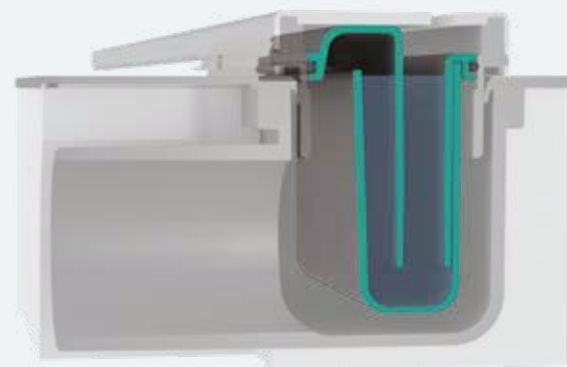
## Pre-assembled sealing membrane as per DIN 18534

Planners and contractors are required to comply with numerous works contract provisions. The pre-assembled sealing membrane was developed as a standard to prevent mistakes when installing shower drains in combination with waterproofing system.



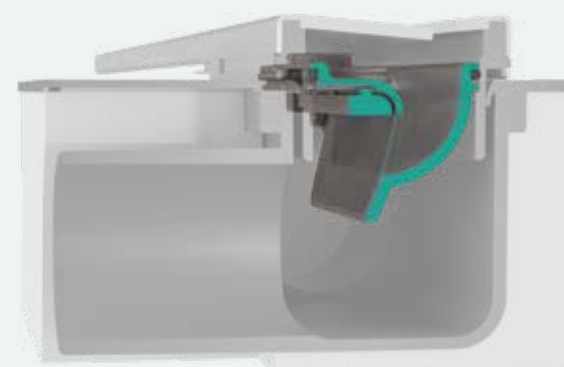
### hansgrohe Siphon technology

- High drainage capacity up to 42 l/min
- Low dirt adhesion, as manufactured without seams
- Easy to clean, as can be dismantled
- Removable
- Minimal installation depth



### hansgrohe Dryphon technology

- Significantly higher drainage capacity up to 60 l/min
- Durable and temperature-resistant membrane
- Minimal cleaning required, no siphon resistance
- Removable
- Minimal installation depth
- Full odour barrier



### Height adjustment



### Select suitable height



## Height flexibility

The finish set can be easily adjusted to different heights by using either the grate or the height adjustable frame. The sturdy stainless steel frame adapts to tile thicknesses of 7-18 mm, making installation easy and safe.



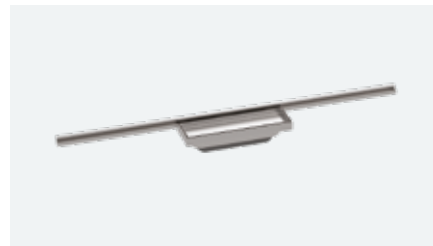
# Parts to order

When ordering a linear shower drain together with the uBox system, there are two components to order.

1. finish set
2. base set / uBox universal (with or without an installation set, depending on the product line)

Choose between the uBox for standard installation (50mm water seal) or the uBox with vertical outlet.

## Finish set + uBox Universal



**RainDrain Minimalistic**



**RainDrain Original**



**RainDrain Flex**  
Installation in thin bed



**uBox universal for standard installation**  
Requires connector 07003354

or



**uBox universal for vertical installation**  
Requires connector 07003354

## Finish set + Installation set



**RainDrain Match Plus**



**RainDrain Match**

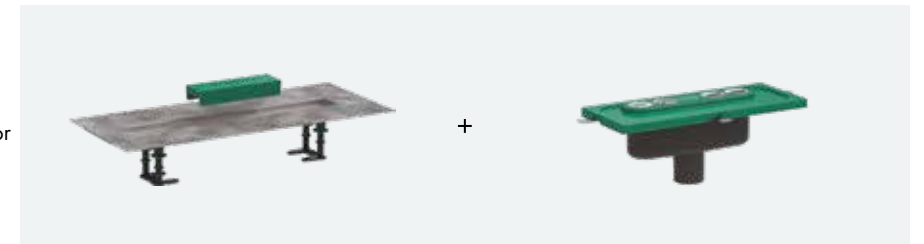


**RainDrain Rock**



**uBox universal and installation set**  
Requires connector 07003354

or



**uBox universal for vertical installation**  
Requires connector 07003354

## Complete set



**RainDrain Compact**



**RainDrain Allround**



**RainDrain Spot**



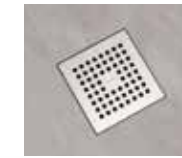
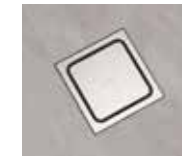
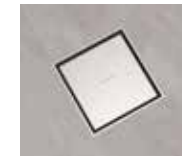
**RainDrain Brilliance**



**RainDrain Point**

# RainDrain overview

The Hansgrohe Group recently bought ESS. We have included the Easy Drain names for ease of reference but any other ESS products are no longer available.



Easy Drain	Easy Drain R-Line	Easy Drain Compact FF	Easy Drain Modulo	Easy Drain M-Line	Easy Drain Waterstop	Easy Drain Compact Clean	Easy Drain Modulo Design Z-2	Easy Drain Modulo Stone	Easy Drain Aqua Jewels	Easy Drain Aqua Brilliant	Easy Drain Aqua
RainDrain	RainDrain Flex	RainDrain Compact	RainDrain Match	RainDrain Minimalistic	RainDrain Allround	RainDrain Original	RainDrain Match Plus	RainDrain Rock	RainDrain Brilliance	RainDrain Spot	RainDrain Point
Perfect for	Easy to shorten on site	Problem solver for renovation projects	Perfectly flush with the tile thickness	Minimal appearance	Complete waterproof solution	Effortless installation with maximum hygiene	Elegant design with subtle widened frame	Developed for use with natural stone	Perfectly flush with the tile thickness	Maximum placement flexibility	Suitable for any bathroom
Length (mm)	700 -1200	600 -1200	600 -1200	700 -1200	700 -1200	600 -1200	800 -1200	600 -1200	100 x 100 150 x 150	150 x 150	100 x 100 150 x 150
Finish	● ● ○ ● ● ● ● ●	● ●	● ● ○ ● ● ● ●	●	●	●	● ● ○	●	● ●	●	● ●
Installation	Free in floor/ Flush to wall	Free in floor	Free in floor/ Flush to wall	Flush to wall	Free in floor	Free in floor	Free in floor	Free in floor	Free in floor	Free in floor	Free in floor
Min. Installation Height (mm)	102mm (standard)	63mm (standard)	102mm (standard)	90mm (standard)	95mm (standard)	75mm (standard)	102mm (standard)	95mm (standard)	76mm (standard)	80mm (standard)	54mm (standard)
Drain Capacity up to (l/min)	60 l/min (standard)	37 l/min (standard)	60 l/min (standard)	60 l/min (standard)	33 l/min (standard)	49 l/min (standard)	60 l/min (standard)	60 l/min (standard)	35 l/min	35 l/min	41 l/min
Parts to order	uBox Finish Set	Complete Set	uBox Installation Set Finish Set	uBox Finish Set	Complete Set	uBox Finish Set	uBox Installation Set Finish Set	uBox Installation Set Finish Set	Complete Set	Complete Set	Complete Set
uBox Technology	■	-	■	■	-	■	■	■	-	-	-
Dryphon Technology	■	-	■	■	-	■	■	■	-	-	-
Tileable Grate	-	■	■	■	-	-	-	■	■	■	■
Compatible with shower board	■	-	-	-	-	■	-	-	-	-	-

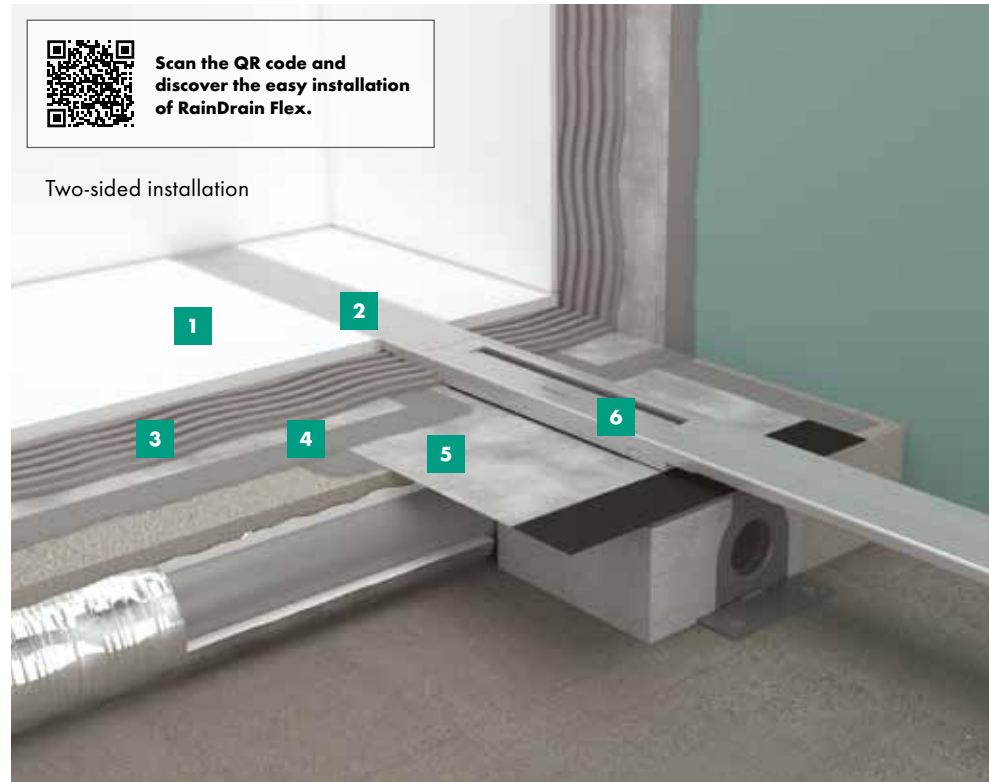






# RainDrain Flex

Choose a finish to match your style



- 1 Tile thickness up to 18mm
- 2 Design grate stainless steel 304 (1.4301)
- 3 Tile adhesive
- 4 Waterproofing membrane
- 5 Pre-assembled sealing membrane
- 6 Removable cover



### RainDrain Flex - In floor

- Finish set shower drain 700 cuttable  
56043, -000, -140, -340, -670, -700, -800, -990
- Finish set shower drain 800 cuttable  
56044, -000, -140, -340, -670, -700, -800, -990
- Finish set shower drain 900 cuttable  
56045, -000, -140, -340, -670, -700, -800, -990
- Finish set shower drain 1000 cuttable  
56046, -000, -140, -340, -670, -700, -800, -990
- Finish set shower drain 1200 cuttable  
56047, -000, -140, -340, -670, -700, -800, -990



### RainDrain Flex - Flush to wall

- Finish set shower drain 700 cuttable  
56050, -000, -140, -340, -670, -700, -800, -990
- Finish set shower drain 800 cuttable  
56051, -000, -140, -340, -670, -700, -800, -990
- Finish set shower drain 900 cuttable  
56052, -000, -140, -340, -670, -700, -800, -990
- Finish set shower drain 1000 cuttable  
56053, -000, -140, -340, -670, -700, -800, -990
- Finish set shower drain 1200 cuttable  
56054, -000, -140, -340, -670, -700, -800, -990



### RainDrain Flex at a glance:

The RainDrain flex can be tailored to suit your needs. Available in 7 finishes, it can be fitted flush to the wall or in the floor and it is available in several lengths as well as being easy to shorten.

- Consists of: design grate with removable cover and Dryphon
- Installation: flush to wall or in floor
- Dryphon technology: high drainage capacity with minimal cleaning required
- Dryphon enables waterless siphon system
- Suitable for primary drainage
- Type of odour seal: mechanical
- Sealing membrane extension for uBox as per DIN 18534
- Grate material: Stainless Steel 304 (1.4301) tileable finish set available with integrated slope. Can be shortened on site
- Height adjustable by 10mm
- Grate removal tool allows easy removal of the finish set

## Specifications

### Dimensions

700, 800, 900, 1000, 1200mm

### Water seal height

50mm

### Drainage capacity

up to 60 l/min

### Grate width

60mm (In floor)  
76mm (Flush to wall)

### Connection

Horizontal  
Vertical

### Minimum installation height

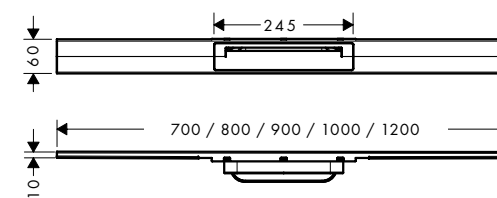
102mm

### Connection nominal diameter

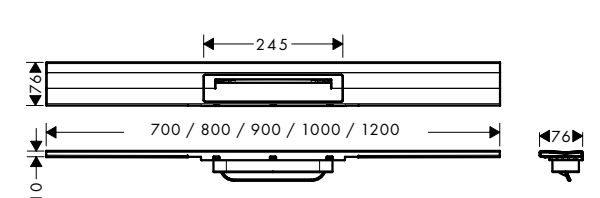
DN50

### Tile inlay depth

12mm



RainDrain Flex - in floor



RainDrain Flex - flush to wall

## Required sets

### Finish set



+

### Standard basic set

Requires connector 07003354



OR

### Vertical basic set

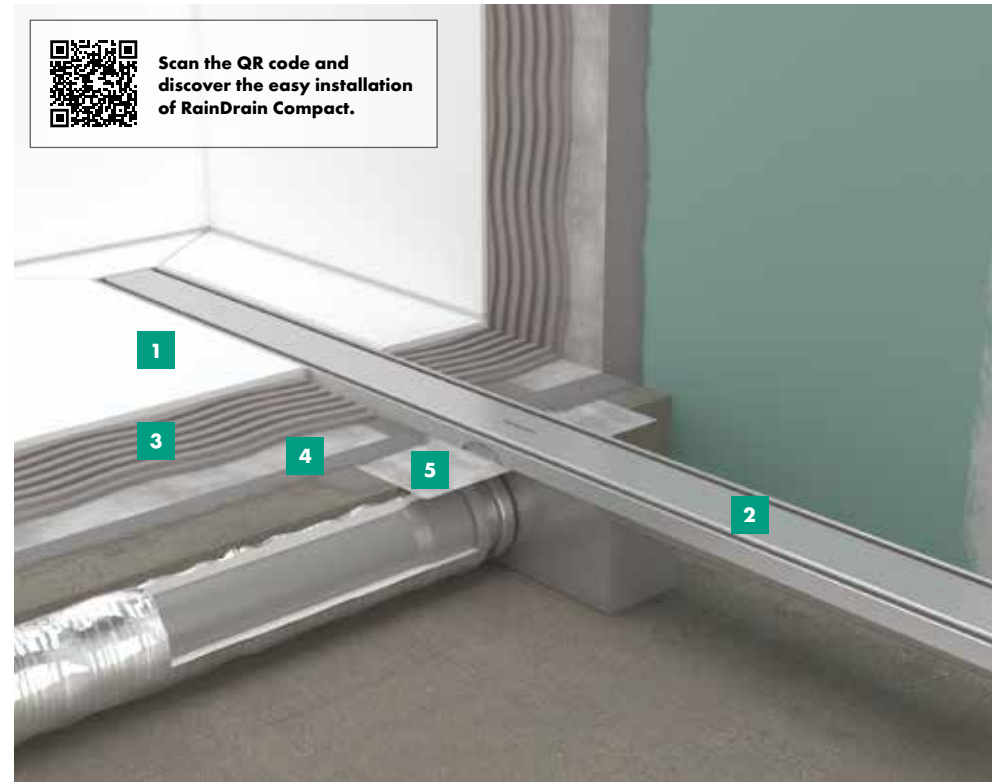
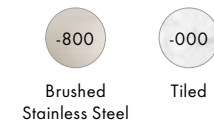
Requires connector 07003354





# RainDrain Compact

Problem solver for renovation projects



- 1 Tile thickness up to 18mm
- 2 Design grate stainless steel 304 (1.4301)
- 3 Tile adhesive
- 4 Waterproofing membrane
- 5 Pre-assembled sealing membrane



- RainDrain Compact - In floor**
- Complete set shower drain 600 56174800
  - Complete set shower drain 700 56176800
  - Complete set shower drain 800 56178800
  - Complete set shower drain 900 56180800
  - Complete set shower drain 1000 56182800
  - Complete set shower drain 1200 56184800



- RainDrain Compact Tileable - In floor**
- Complete set shower drain 600 56175000
  - Complete set shower drain 700 56177000
  - Complete set shower drain 800 56179000
  - Complete set shower drain 900 56181000
  - Complete set shower drain 1000 56183000
  - Complete set shower drain 1200 56185000



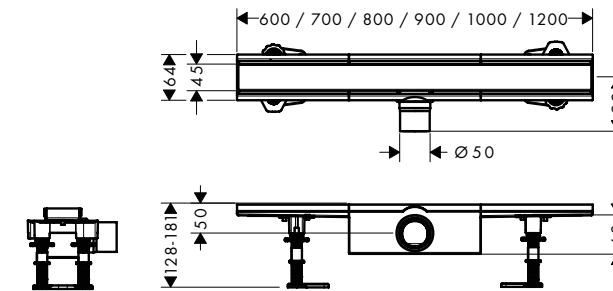
### RainDrain Compact at a glance:

The RainDrain Compact has the lowest possible installation depth and comes with a removable, easy-to-clean siphon with a large drainage capacity.

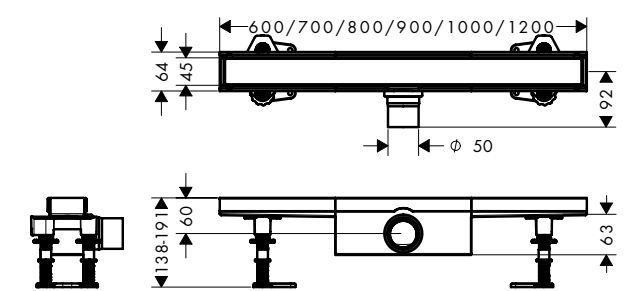
- Consists of: finish set shower drain, installation set, siphon, grate removal tool and pre-assembled sealing membrane
- Installation: in floor, can't be used flush to the wall
- Suitable for primary drainage
- Type of odour seal: fluid
- **Complete set, only one article number to order and does not require uBox**
- Pre-assembled sealing membrane
- Grate material: Stainless Steel 304 (1.4301) tileable finish set available with integrated slope
- Grate removal tool allows easy removal of the finish set
- Height adjustable installation set
- Grate removal tool allows easy removal of the finish set

## Specifications

<b>Dimensions</b> 600, 700, 800, 900, 1000, 1200mm	<b>Water seal height</b> 50mm	<b>Drainage capacity</b> up to 37 l/min	<b>Grate width</b> 45mm
<b>Connection</b> Horizontal	<b>Minimum installation height</b> 63mm	<b>Connection nominal diameter</b> DN50	<b>Tile inlay depth</b> 12mm



RainDrain Compact - in floor



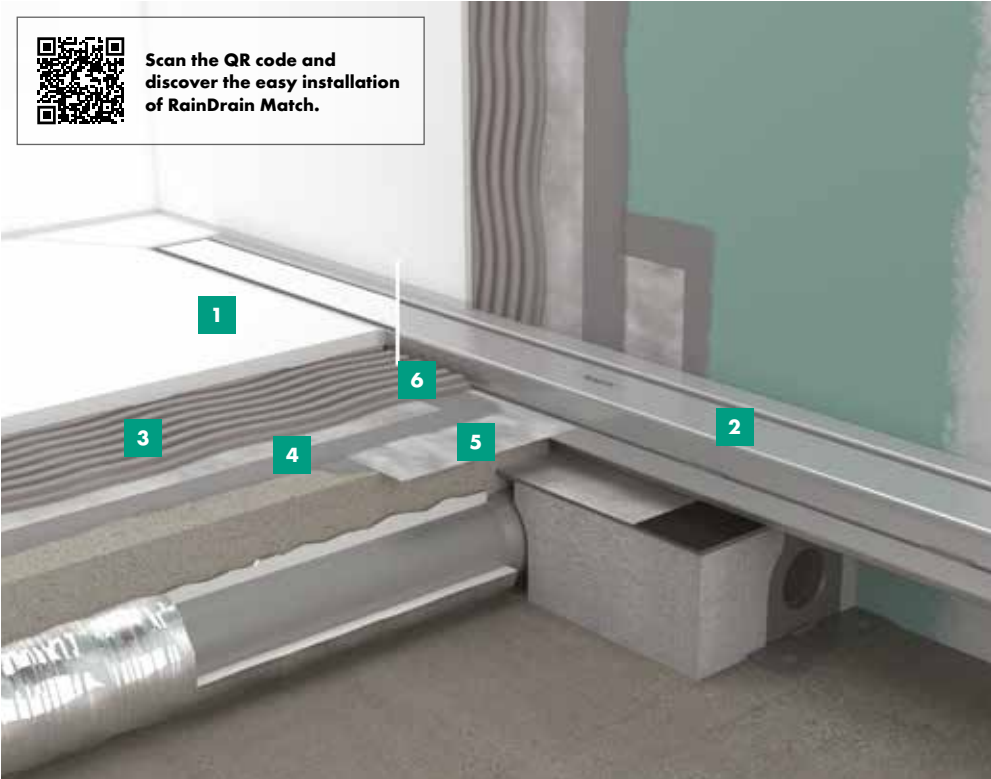
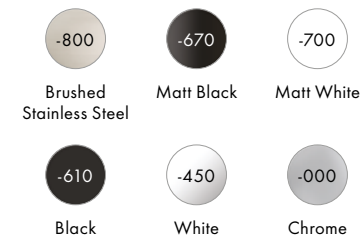
RainDrain Compact - in floor (tile)





# RainDrain Match

Perfectly flush with the tile thickness

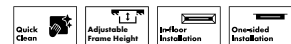


- 1 Tile thickness up to 18mm
- 2 Design grate stainless steel 304 (1.4301)
- 3 Tile adhesive
- 4 Waterproofing membrane
- 5 Pre-assembled sealing membrane
- 6 Secondary drainage possible



**RainDrain Match - In floor or flush to wall**

- Finish set shower drain 600  
56036, -000, -450, -610, -670, -700, -800
- Finish set shower drain 700  
56037, -000, -450, -610, -670, -700, -800
- Finish set shower drain 800  
56038, -000, -450, -610, -670, -700, -800
- Finish set shower drain 900  
56040, -000, -450, -610, -670, -700, -800
- Finish set shower drain 1000  
56041, -000, -450, -610, -670, -700, -800
- Finish set shower drain 1200  
56042, -000, -450, -610, -670, -700, -800



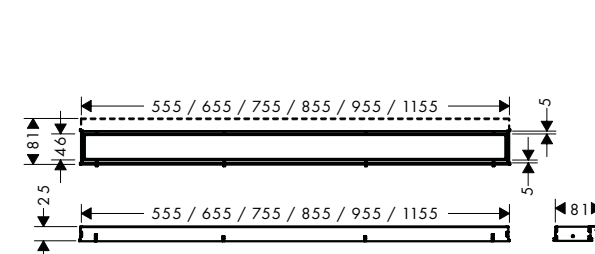
**RainDrain Match at a glance:**

RainDrain Match fits seamlessly between any wall and in any floor. The height-adjustable grates blend perfectly into your bathroom floor, while the subtle stainless finish gives a beautiful timeless aesthetic.

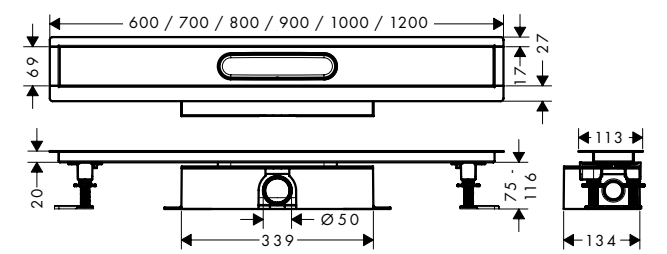
- Consists of: design grate, height adjustable frame, wall installation flange and Dryphon
- Design grate: Brushed Stainless Steel, Matt Black, Matt White, two glass surfaces (Black, White), Chrome. Design grate can be tiled at the back (except glass surfaces)
- Installation: flush to wall or in floor
- Dryphon technology: high drainage capacity with minimal cleaning required
- Dryphon enables waterless siphon system
- Suitable for primary and secondary drainage
- Type of odour seal: mechanical
- Pre-assembled sealing membrane as per DIN 18534
- Grate material: Stainless Steel 304 (1.4301)
- Height-adjustable feet: easy adjustment and fixing to the floor
- Grate removal tool allows easy removal of the finish set

## Specifications

<b>Dimensions</b> 600, 700, 800, 900, 1000, 1200mm	<b>Water seal height</b> 50mm	<b>Drainage capacity</b> up to 60 l/min	<b>Grate width</b> 46mm
<b>Connection</b> Horizontal Vertical	<b>Minimum installation height</b> 102mm	<b>Connection nominal diameter</b> DN50	<b>Frame width</b> 62mm (In floor) 81mm (Wall flange included)



RainDrain Match - in floor



RainDrain Match - flush to wall

## Required sets

**Standard installation** + **Installation set** (Requires connector 07003354)

**Vertical installation** + **Installation set** + **Vertical basic set** (Requires connector 07003354)

# RainDrain Minimalistic

Minimal appearance

-000

Tiled



Scan the QR code and discover the easy installation of RainDrain Minimalistic.



- 1 Tile thickness  
11 - 21mm
- 2 Design grate  
stainless steel 304  
(1.4301)
- 3 Tile adhesive
- 4 Waterproofing  
membrane
- 5 Pre-assembled  
sealing membrane
- 6 Removable cover



## RainDrain Minimalistic at a glance:

RainDrain Minimalistic fits discreetly into your bathroom design with its tileable finish and height adjustable grate.

- Consists of: tileable grate, Dryphon, sealing membrane and grate removal tool
- Installation: flush to wall
- Dryphon technology: high drainage capacity with minimal cleaning required
- Dryphon enables waterless siphon system
- Suitable for primary drainage
- Type of odour seal: mechanical
- Sealing membrane extension for uBox as per DIN 18534
- Grate material: Stainless Steel 304 (1.4301) and tileable
- Height adjustable by 10mm
- Grate removal tool allows easy removal of the finish set

### RainDrain Minimalistic - Flush to wall

Finish set shower drain 700

56219000

Finish set shower drain 800

56220000

Finish set shower drain 900

56221000

Finish set shower drain 1000

56222000

Finish set shower drain 1200

56223000



## Specifications

### Dimensions

700, 800, 900,  
1000, 1200mm

### Water seal height

50mm

### Drainage capacity

up to 60 l/min

### Grate width

85mm

### Connection

Horizontal  
Vertical

### Minimum installation height

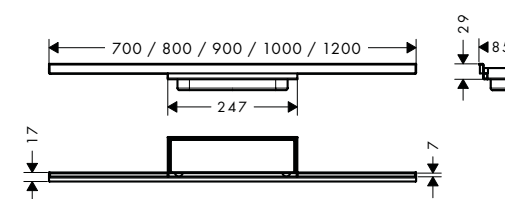
90mm

### Connection nominal diameter

DN50

### Tile inlay depth

12mm



RainDrain Minimalistic - flush to wall

## Required sets

### Finish set



+

### Standard basic set

Requires connector 07003354



OR

### Vertical basic set

Requires connector 07003354



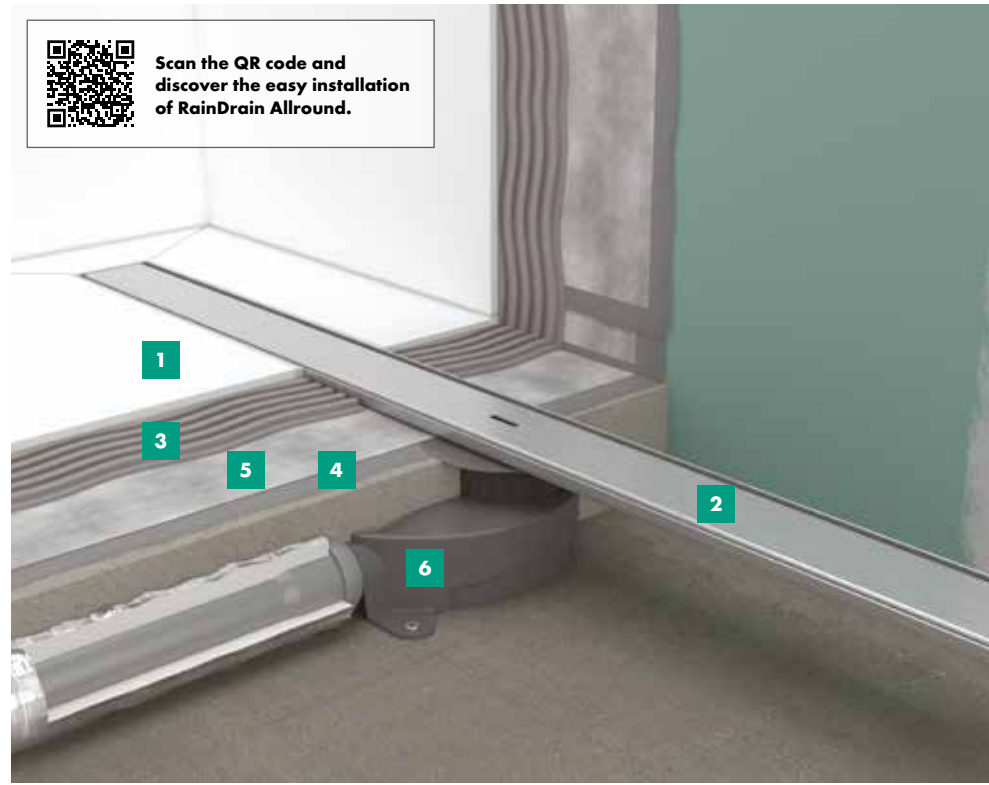




# RainDrain Allround

Complete waterproof solution with one order code

800  
Brushed  
Stainless Steel



- 1 Tile thickness up to 18mm
- 2 Design grate stainless steel 304 (1.4301)
- 3 Tile adhesive
- 4 Waterproofing membrane
- 5 Pre-assembled sealing membrane
- 6 Rotatable siphon



### RainDrain Allround - In floor

Complete set shower drain 700 for standard installation 56186800

Complete set shower drain 800 for standard installation 56187800

Complete set shower drain 900 for standard installation 56188800

Complete set shower drain 1000 for standard installation 56189800

Complete set shower drain 1200 for standard installation 56190800



### RainDrain Allround at a glance:

An easy-to-install shower drain, thanks to its large pre-assembled sealing membrane it is possible to waterproof the entire shower floor at once.

- Consists of: finish set shower drain, installation set, pre-assembled sealing membrane, grate removal tool, Siphons
- Installation: in floor, can't be used flush to the wall
- **Complete set, only one article number to order and does not require uBox**
- Two different siphons included (28 and 50mm water seal)
- Suitable for primary drainage
- Type of odour seal: fluid
- Complete waterproof solution with large 1500 x 1300mm pre-assembled sealing membrane
- Grate material: Stainless Steel 304 (1.4301)
- Rotatable and adjustable siphon body
- Height adjustable installation set
- Grate removal tool allows easy removal of the finish set

## Specifications

### Dimensions

700, 800, 900, 1000, 1200mm

### Connection

Horizontal

### Water seal height

28mm or 50mm

### Minimum installation height

95mm

### Drainage capacity

up to 33 l/min

### Connection nominal diameter

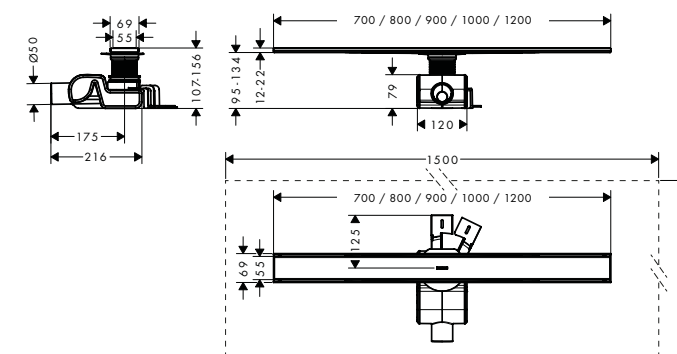
DN50

### Grate width

69mm  
140mm

### Tile inlay depth

up to 18mm

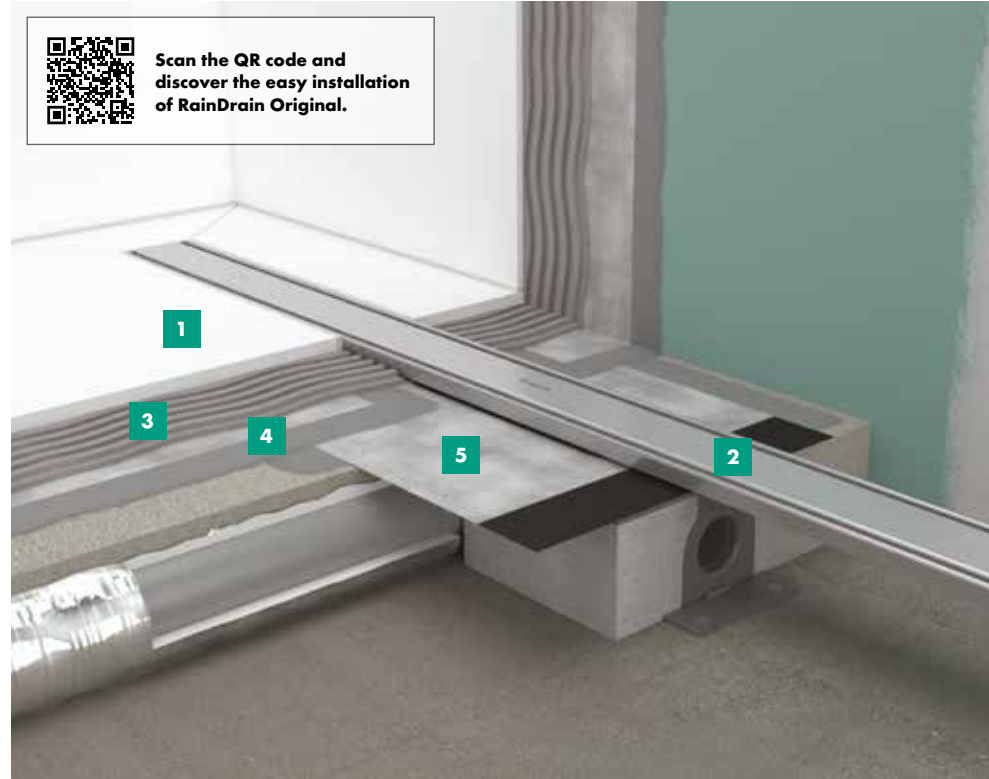


RainDrain Allround - in floor



# RainDrain Original

Effortless installation with maximum hygiene



- 1 Tile thickness up to 40mm
- 2 Design grate stainless steel 304 (1.4301)
- 3 Tile adhesive
- 4 Waterproofing membrane
- 5 Pre-assembled sealing membrane



### RainDrain Original - In floor

- Finish set shower drain 600 56196800
- Finish set shower drain 700 56197800
- Finish set shower drain 800 56198800
- Finish set shower drain 900 56199800
- Finish set shower drain 1000 56200800
- Finish set shower drain 1200 56201800



### RainDrain Original at a glance:

Effortless installation together with low installation depth and minimal maintenance makes the RainDrain Original perfect for any bathroom project.

- Consists of: finish set shower drain, installation set, Dryphon, sealing membrane and grate removal tool
- Installation: in floor
- Dryphon technology: high drainage capacity with minimal cleaning required
- Dryphon enables waterless siphon system
- Type of odour seal: mechanical
- Grate material: Stainless Steel 304 (1.4301)
- Sealing membrane extension for uBox as per DIN 18534
- Frameless design
- Height adjustable by 10mm
- Grate removal tool allows easy removal of the finish set

## Specifications

### Dimensions

600, 700, 800, 900, 1000, 1200mm

### Water seal height

50mm

### Drainage capacity

up to 49 l/min

### Grate width

65mm

### Connection

Horizontal  
Vertical

### Minimum installation height

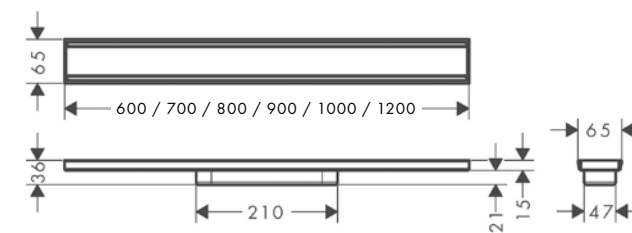
75mm

### Connection nominal diameter

DN50

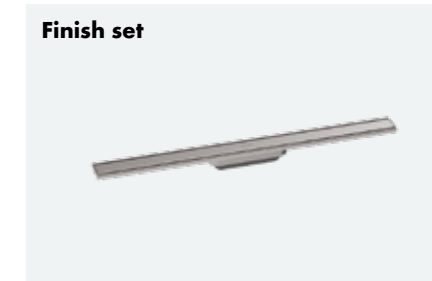
### Tile inlay depth

up to 18mm



RainDrain Original - in floor

## Required sets



+



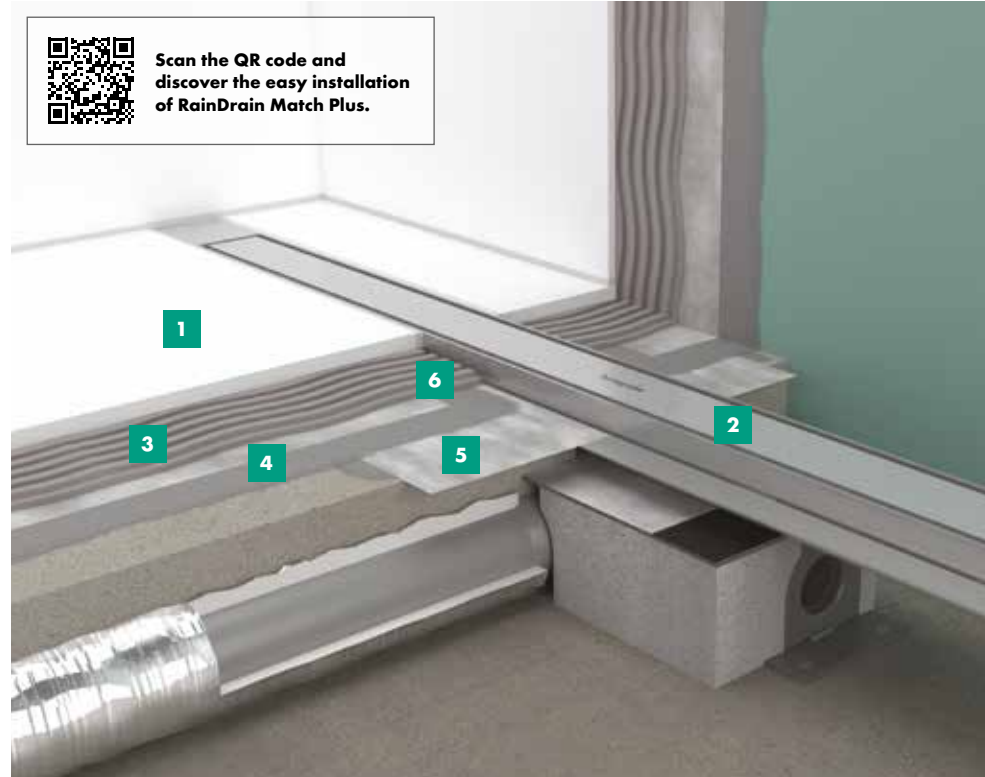
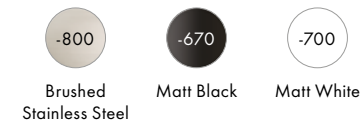
OR





# RainDrain Match Plus

Elegant design with subtle widened frame



- 1 Tile thickness up to 18mm
- 2 Design grate stainless steel 304 (1.4301)
- 3 Tile adhesive
- 4 Waterproofing membrane
- 5 Pre-assembled sealing membrane
- 6 Secondary drainage possible



### RainDrain Match Plus - In floor

Finish set shower drain 800  
56215, -800, -670, -700

Finish set shower drain 900  
56216, -800, -670, -700

Finish set shower drain 1000  
56217, -800, -670, -700

Finish set shower drain 1200  
56218, -800, -670, -700



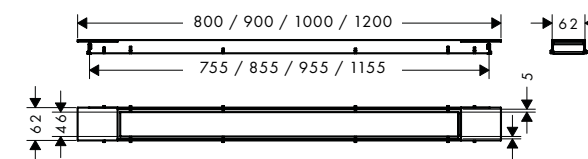
### RainDrain Match Plus at a glance:

RainDrain Match Plus is slightly wider than the original Match drain, it fits seamlessly between any wall and in any floor. The height-adjustable grates blend perfectly into your bathroom floor, while the subtle stainless finish gives a beautiful aesthetic.

- Consists of: design grate, height adjustable frame and Dryphon
- Installation: in floor
- Dryphon technology: high drainage capacity with minimal cleaning required
- Dryphon enables waterless siphon system
- Suitable for primary and secondary drainage
- Type of odour seal: mechanical
- Pre-assembled sealing membrane as per DIN 18534
- Grate material: Stainless Steel 304 (1.4301), Matt Black and Matt White with integrated slope
- Height-adjustable frame: easy adjustment to tile thickness 7-18mm
- Grate removal tool allows easy removal of the finish set

## Specifications

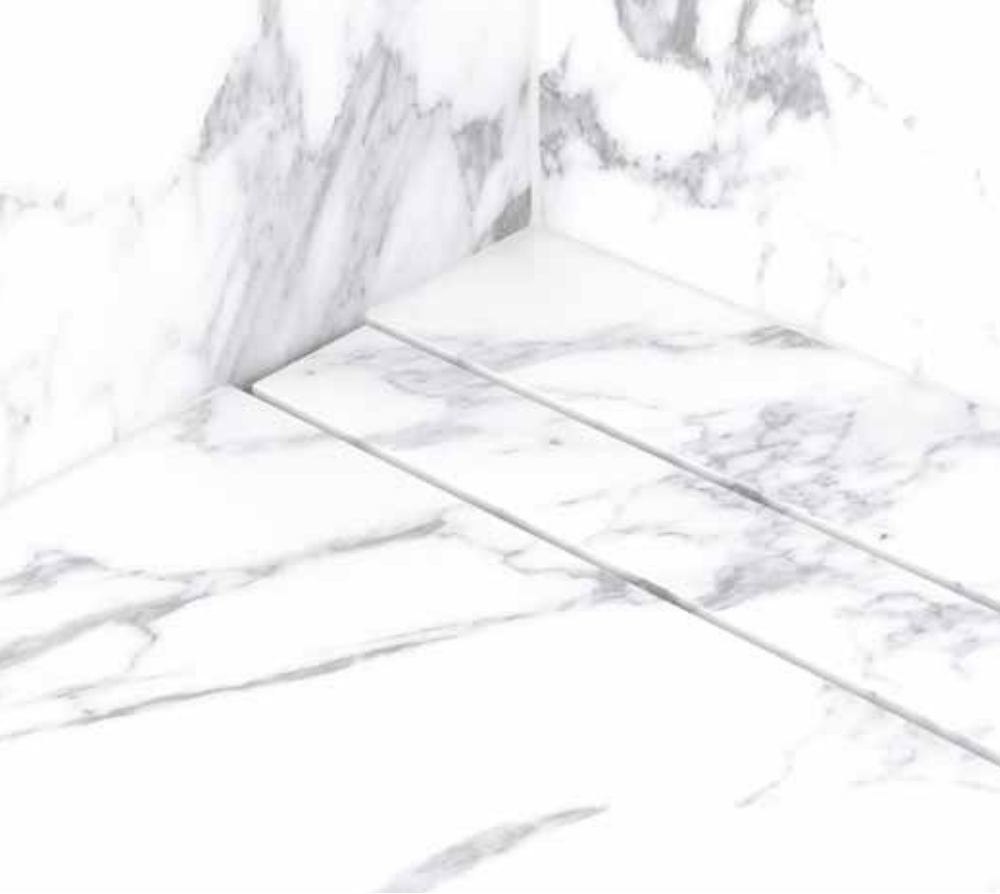
<b>Dimensions</b> 800, 900, 1000, 1200mm	<b>Water seal height</b> 50mm	<b>Drainage capacity</b> up to 60 l/min	<b>Grate width</b> 46mm	<b>Frame width</b> 62mm
<b>Connection</b> Horizontal Vertical	<b>Minimum installation height</b> 102mm	<b>Connection nominal diameter</b> DN50	<b>Tile inlay depth</b> up to 18mm	



RainDrain Match Plus - in floor

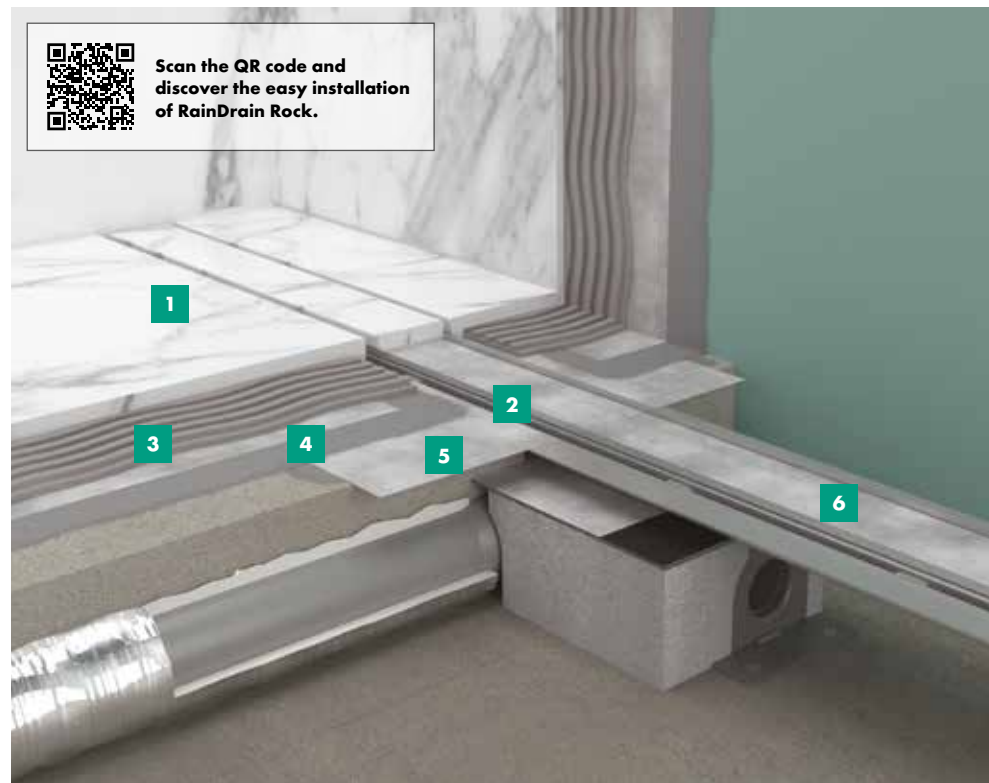
## Required sets

<p><b>Standard installation</b></p>	+	<p><b>Installation set</b> Requires connector 07003354</p>	+	<p><b>Vertical installation</b></p>	+	<p><b>Installation set</b></p>	+	<p><b>Vertical basic set</b> Requires connector 07003354</p>
-------------------------------------	---	--	---	-------------------------------------	---	--------------------------------	---	--



# RainDrain Rock

Developed for use with natural stone



- 1 Tile thickness up to 18mm
- 2 Design grate stainless steel 304 (1.4301)
- 3 Tile adhesive
- 4 Waterproofing membrane
- 5 Pre-assembled sealing membrane
- 6 Tileable design grate



### RainDrain Rock - In floor

Finish set shower drain 600 cut to size and tileable 56029000

Finish set shower drain 700 cut to size and tileable 56030000

Finish set shower drain 800 cut to size and tileable 56031000

Finish set shower drain 900 cut to size and tileable 56032000

Finish set shower drain 1000 cut to size and tileable 56033000

Finish set shower drain 1200 cut to size and tileable 56034000



### RainDrain Rock at a glance:

RainDrain Rock is a frameless linear shower drain that is suitable for natural stone flooring. It can be shortened and is suitable for both in the floor and two-sided installation.

- Consists of: tileable grate, grate removal tool and Dryphon
- Installation: in floor
- Dryphon technology: high drainage capacity with minimal cleaning required
- Dryphon enables waterless siphon system
- Suitable for primary drainage
- Type of odour seal: mechanical
- Pre-assembled sealing membrane as per DIN 18534
- Grate material: Stainless Steel 304 (1.4301) or tiled up to 40mm thick
- Height-adjustable feet: easy adjustment and fixing to the floor
- Cover: can be shortened on site to a minimum of 600mm due to 50mm excess length on both sides
- Grate removal tool allows easy removal of the finish set

## Specifications

### Dimensions

600, 700, 800, 900, 1000, 1200mm

### Water seal height

50mm

### Drainage capacity

up to 60 l/min

### Grate width

58mm

### Connection

Horizontal  
Vertical

### Minimum installation height

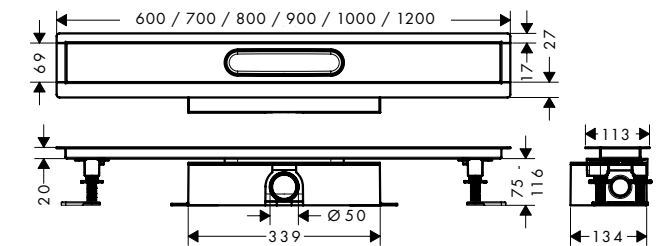
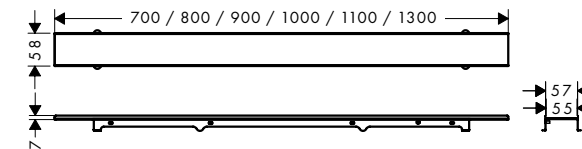
95mm

### Connection nominal diameter

DN50

### Tile inlay depth

any tile, any thickness up to 40mm depth



RainDrain Rock - in floor

## Required sets





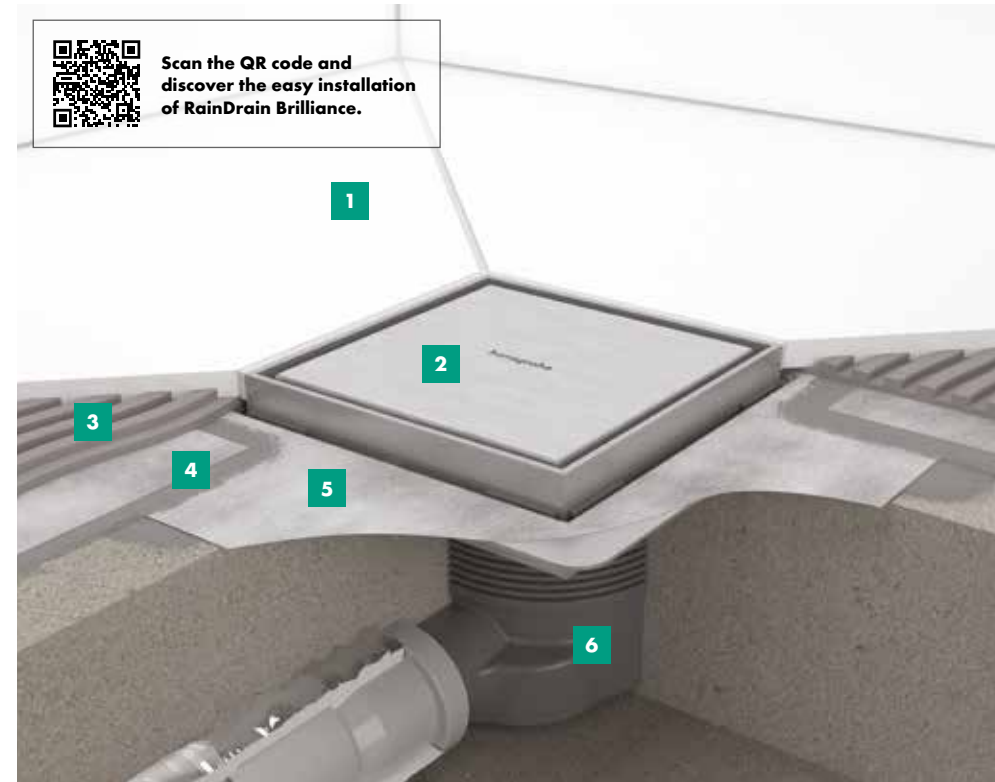


# RainDrain Brilliance

Perfectly flush with the tile thickness



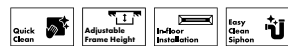
Brushed Stainless Steel    Matt Black



- 1 Tile thickness up to 18mm
- 2 Design grate stainless steel 304 (1.4301)
- 3 Tile adhesive
- 4 Waterproofing membrane
- 5 Pre-assembled sealing membrane
- 6 Siphon body ABS



**RainDrain Brilliance - In floor**  
 Complete set point drain 100/100 tileable rear cover 56250, -800, -670  
 Complete set point drain 150/150 tileable rear cover 56251, -800, -670



## RainDrain Brilliance at a glance:

The RainDrain Brilliance is a luxury shower drain equipped with a height-adjustable frame. This allows the grate to be perfectly levelled to the bathroom floor. Combined with a low installation depth, makes it ideal for renovations and new construction projects.

- Consists of: point drain, installation set, base set, pre-assembled sealing membrane, grate removal tool, siphon, and screed protection cover
- Installation: in floor
- Suitable for primary and secondary drainage
- Rotatable, adjustable and cuttable siphon body
- Type of odour seal: fluid
- Design grate made of Stainless Steel 304 (1.4301) and tileable on the back side
- Easy adjustment to tile thickness with height adjustable frame (7-18mm)
- Pre-assembled sealing membrane
- Grate removal tool allows easy removal of the finish set

## Specifications

**Dimensions**  
 100 x 100mm  
 150 x 150mm

**Connection**  
 Horizontal

**Water seal height**  
 50mm

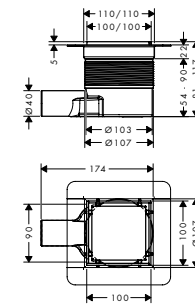
**Minimum installation height**  
 76mm

**Drainage capacity**  
 up to 35 l/min

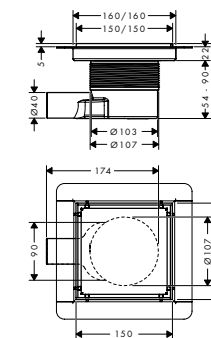
**Connection nominal diameter**  
 DN50

**Grate width**  
 107mm

**Tile inlay depth**  
 12mm



RainDrain Brilliance  
 100 x 100



RainDrain Brilliance  
 150 x 150



# RainDrain Spot

Maximum placement flexibility

800  
Brushed  
Stainless Steel



- 1 Tile thickness up to 18mm
- 2 Design grate stainless steel 304 (1.4301)
- 3 Tile adhesive
- 4 Waterproofing membrane
- 5 Pre-assembled sealing membrane
- 6 Siphon body ABS



**RainDrain Spot - In floor**  
Complete set 150/150 point drain and installation set  
56055800



**RainDrain Spot - In floor**  
Complete set 150/150 point drain tileable rear cover and installation set  
56112800



**RainDrain Spot**  
Height compensation supplementary piece  
56056000

## RainDrain Spot at a glance:

RainDrain Spot is easy to install, due to its flexible flange and very low installation depth which makes this drain perfect for both new construction and renovation projects.

- Consists of: design grate, base set, siphon, pre-assembled sealing membrane and screed protection cover
- Installation: in floor
- Suitable for primary and secondary drainage
- Rotatable and adjustable siphon body
- Type of odour seal: fluid
- Design grate made of Stainless Steel 304 (1.4301) and tileable on the back side
- Easy adjustment to tile thickness with height adjustable frame (7-18mm)
- Pre-assembled sealing membrane
- Grate removal tool allows easy removal of the finish set

## Specifications

**Dimensions**  
150 x 150mm

**Connection**  
Horizontal

**Water seal height**  
50mm

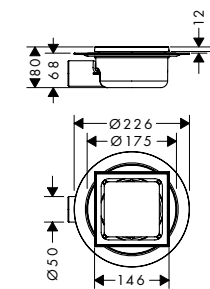
**Minimum installation height**  
80mm

**Drainage capacity**  
up to 35 l/min

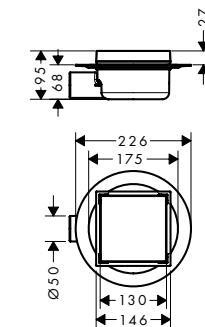
**Connection nominal diameter**  
DN50

**Grate width**  
130mm

**Tile inlay depth**  
12mm



RainDrain Spot



RainDrain Spot with tileable grate



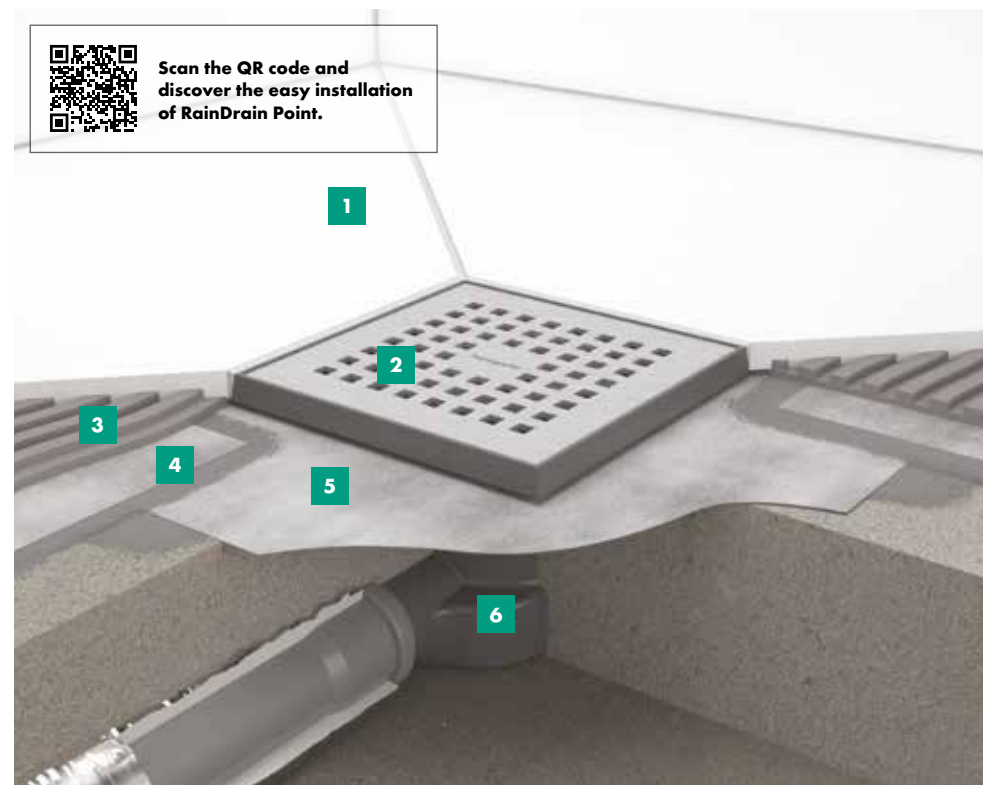


# RainDrain Point

Suitable for any bathroom



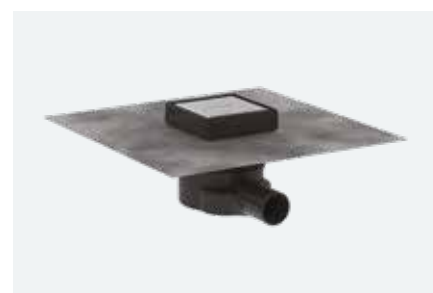
Brushed Stainless Steel    Matt Black



- 1 Tile thickness up to 18mm
- 2 Design grate stainless steel 304 (1.4301)
- 3 Tile adhesive
- 4 Waterproofing membrane
- 5 Pre-assembled sealing membrane
- 6 Siphon body ABS



**RainDrain Point - In floor**  
 Complete set point drain 100/100  
 56246800  
 Complete set point drain 150/150  
 56248800



**RainDrain Point - In floor**  
 Complete set point drain 100/100 tileable rear cover  
 56247, -800, -670  
 Complete set point drain 150/150 tileable rear cover and installation set  
 56249, -800, -670



## RainDrain Point at a glance:

The multifunctional RainDrain Point drains have a 360-degree rotatable outlet, which can be shortened. In addition, the pre-assembled sealing membrane ensures a 100% watertight installation.

- Consists of: point drain, installation set, pre-assembled sealing membrane, base set, siphon and screed protection cover
- Installation: in floor
- Suitable for primary drainage
- Rotatable, adjustable and cuttable siphon body
- Type of odour seal: fluid
- Design grate made of Stainless Steel 304 (1.4301) and both finishes are tileable on the backside
- Pre-assembled sealing membrane
- Grate removal tool allows easy removal of the finish set

## Specifications

**Dimensions**  
 100 x 100mm  
 150 x 150mm

**Connection**  
 Horizontal

**Water seal height**  
 Up to 50mm

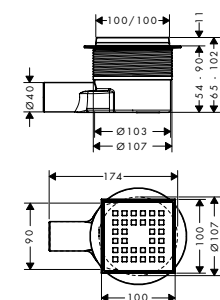
**Minimum installation height**  
 54mm

**Drainage capacity**  
 up to 41 l/min

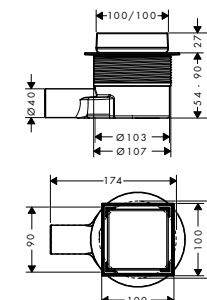
**Connection nominal diameter**  
 DN40

**Grate width**  
 107mm

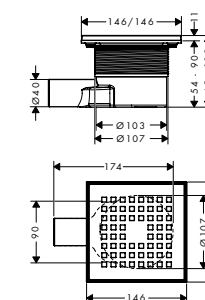
**Tile inlay depth**  
 12mm



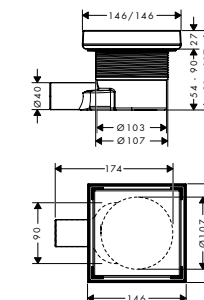
RainDrain Point  
 100 x 100mm



RainDrain Point  
 with tileable grate  
 100 x 100mm



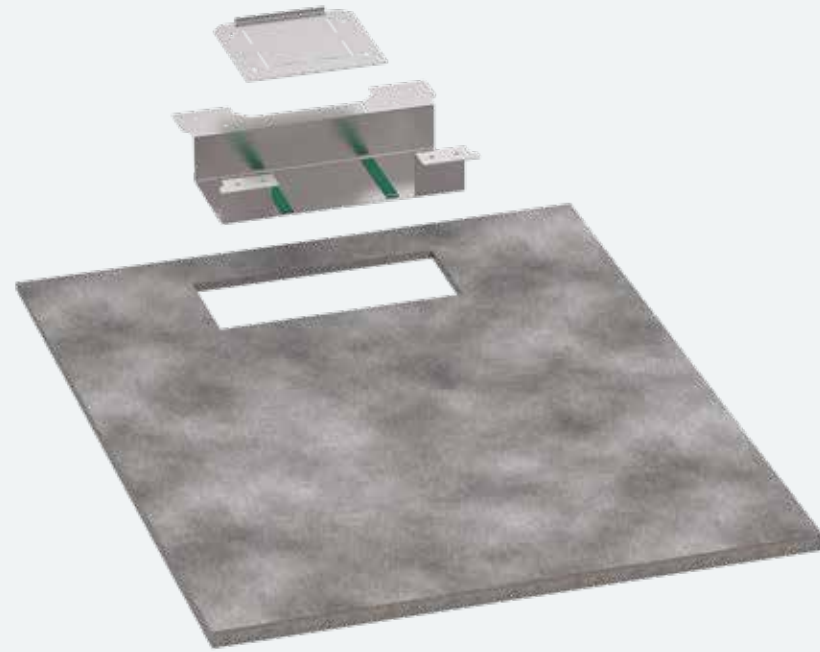
RainDrain Point  
 150 x 150mm



RainDrain Point  
 with tileable grate  
 150 x 150mm

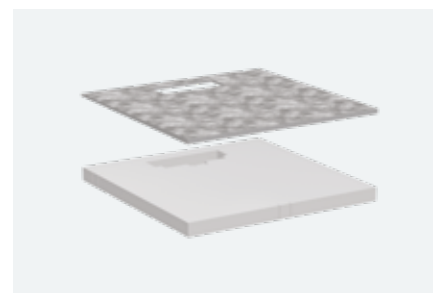
# RainDrain Board

Effortless installation, developed specifically to support the uBox in timber flooring



- 1 Tile thickness up to 18mm
- 2 Design grate stainless steel 304 (1.4301)
- 3 Tile adhesive
- 4 Pre-assembled sealing membrane
- 5 Slope board
- 6 Base board

Scan the QR code and discover the easy installation of RainDrain Board.



**Sloping board (trimmable)**  
800 x 1000mm  
07003391

1000 x 1000mm  
07003392

Suitable for RainDrain Flex and Original -  
In Floor Installation

### RainDrain Board at a glance:

The RainDrain boards are perfect for installation on top of joists, they create a seamless finish and include a pre-assembled sealing membrane.

- Finish set options: RainDrain Flex (floor mounted) and RainDrain Original
- uBox Standard (50mm), not compatible with vertical uBox
- Sloping board with strengthened cut out for uBox - designed to provide maximum support in timber floor installations
- Pre-assembled sealing membrane attached to top side of board

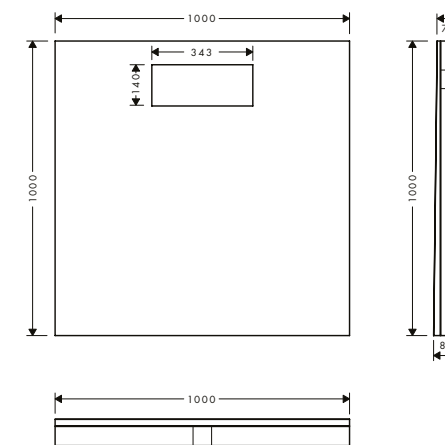
## Specifications

**Dimensions**  
1000 x 1000mm

**Material**  
Hard foam

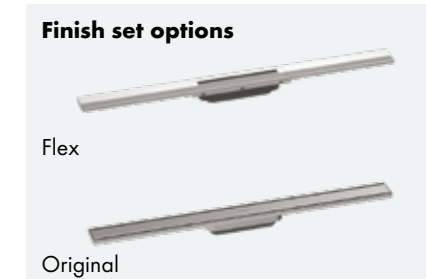
**Slope**  
12mm

**Height**  
70mm



RainDrain Board

## Required sets



+







# RainDrain Turn

Perfect finish of sloped tile edges in the shower

-800  
Brushed  
Stainless Steel



1 Slope profile

2 Wall profile



**RainDrain Turn slope profile**  
With left or right side connection, adjustable 1200  
07003348



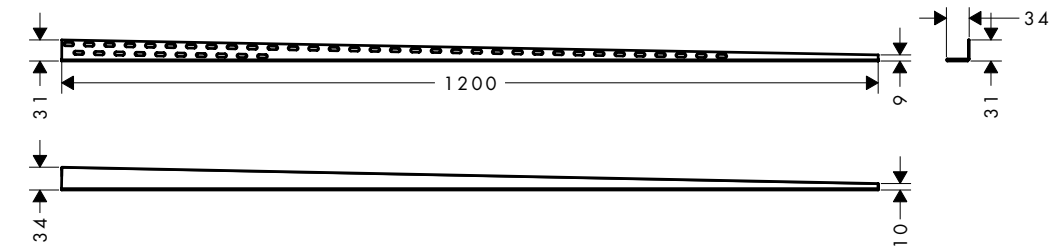
### RainDrain Turn at a glance:

#### Slope profile

- Application left or right side and adjustable
- Length: 1200mm
- Maximum height: 34mm
- Material: Stainless Steel 304 (1.4301)
- Can be shortened on site

## Specifications

Dimensions	Material	Slope	Version
1200mm	Stainless Steel 304 (1.4301)	2%	Left and right

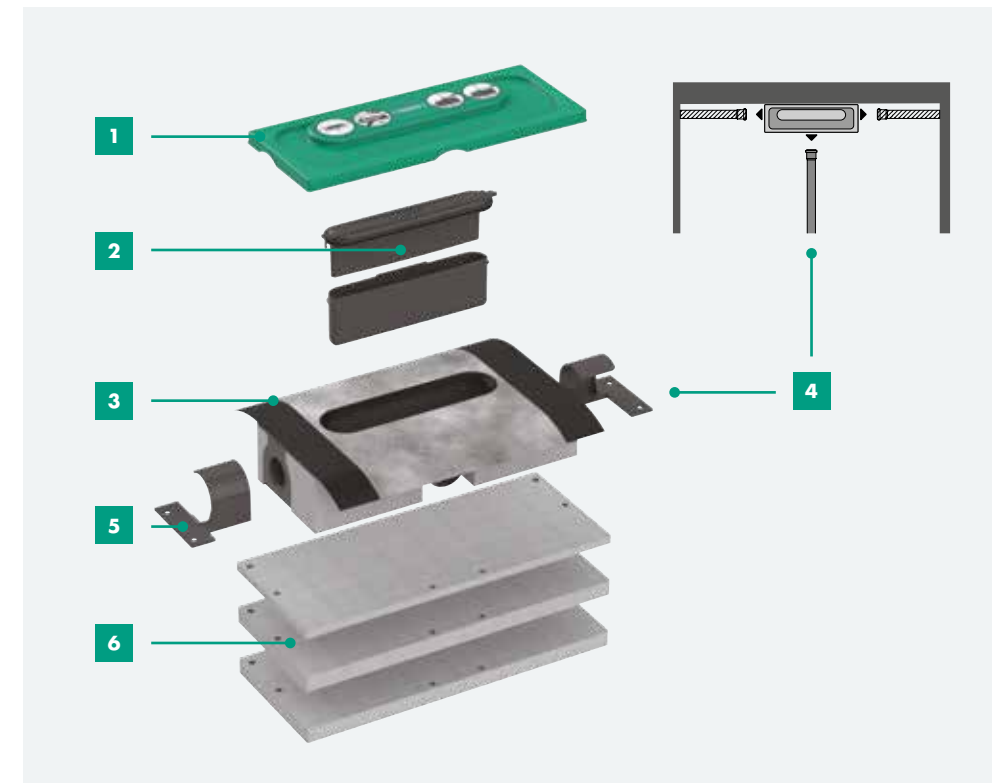


Slope profile



# uBox universal

One base set for all installation scenarios



- 1** Screed cover protects from dirt during shell construction
- 2** Easy-to-clean siphon included as standard
- 3** Pre-assembled sealing membrane as per DIN 18534
- 4** Flexible connection options with outlets on three sides
- 5** Easy attachment to the floor with mounting bracket
- 6** Easy height adjustment with three plates (2 x 20mm, 1 x 10mm)



**uBox universal for standard installation**  
Base set for finish sets for standard installation  
01001180



Requires connector 07003354



**Complete set for standard installation**  
Complete set for standard installation - 600 for shower drains finish sets  
56022180

Complete set for standard installation - 700 for shower drains finish sets  
56023180

Complete set for standard installation - 800 for shower drains finish sets  
56024180

Complete set for standard installation - 900 for shower drains finish sets  
56025180

Complete set for standard installation - 1000 for shower drains finish sets  
56026180

Complete set for standard installation - 1200 for shower drains finish sets  
56027180



Requires connector 07003354



**RainDrain Installation sets**  
Installation set 600 for shower drains finish sets  
56010180  
Installation set 700 for shower drains finish sets  
56011180  
Installation set 800 for shower drains finish sets  
56012180  
Installation set 900 for shower drains finish sets  
56013180  
Installation set 1000 for shower drains finish sets  
56014180  
Installation set 1200 for shower drains finish sets  
56015180



## Specifications

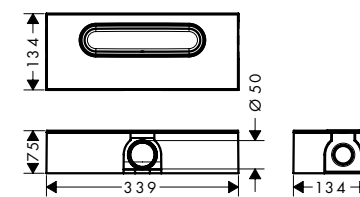
### uBox universal for standard installation

Minimum installation height: 75mm  
Water seal height: 50mm  
Siphon drainage capacity: up to 42 l/min (as per EN 1253)  
Dryphon drainage capacity: up to 60 l/min

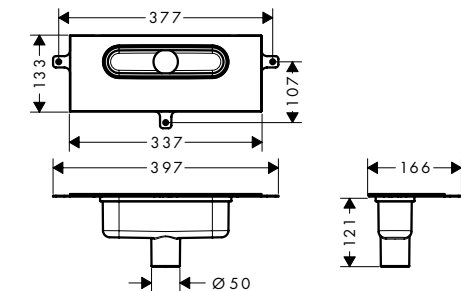
### uBox universal for vertical installation

Minimum installation height: -  
Water seal height: 50mm  
Siphon drainage capacity: up to 42 l/min (as per EN 1253)  
Dryphon drainage capacity: up to 60 l/min

50mm version accredited to meet UK regulations,  
Siphon always included  
Water seal 50mm to block odour from sewer  
Requires connector 07003354  
Reduces from 56mm down to the 50mm.



uBox universal for standard installation



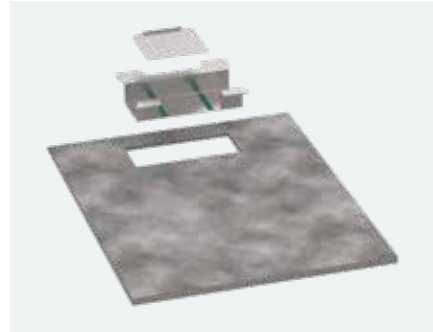
uBox universal for vertical installation



## Complementary wetroom components

### Sloping and Side Boards

Designed specifically for the UK these boards feature a strengthened cut out for uBox - designed to provide maximum support in Timber Floor installations.



#### Sloping board (trimmable)

800 x 1000mm  
07003391

1000 x 1000mm  
07003392

**Suitable for RainDrain Flex and Original -  
In Floor Installation - does not work with  
Vertical uBox**



#### Sloping board side extension set (trimmable)

Side extension set 2x 350 x 1000mm  
07003393



#### Easy turn slope profile

Left or right connection, 8 to 32mm adjustable  
07003348

### Fast-setting sealing system

Easy2Seal 2K is a 2-component, highly flexible and reactively fast-setting sealing system for reliable sealing of surfaces.

- Two components, fast-setting even at low temperatures
- Dries with almost no shrinking
- Weather-independent drying thanks to reactive setting
- Can be applied by brush, roller, sprayer, or towel
- Processing time approx. 45minutes
- Can be surface ready after approx. 90min - perfect for renovation
- Sets in the absence of air - important when sealing tapes overlap
- Can be applied directly wet-on-wet
- Saves time thanks to rapid work sequence
- For indoor and outdoor use



#### Easy 2 Seal 2k Rapid

Set consisting of: 1.5kg for ca. 1m<sup>2</sup>  
07003418

Set consisting of: 4kg for ca. 3m<sup>2</sup>  
07003419

### Water Proofing Membrane

#### Wet Area Sealing System

The wet area sealing offers a guaranteed safe watertight system solution, that should be applied in combination with the RainDrain drainage system. This way, leaking as a result of faulty installation due to unfavourable conditions is eliminated. This sealing system offers both speed and quality in watertight installations with significant time savings.

**A European Technical Assessment has been issued for our waterproof membrane in accordance with Regulation (EU) No 305/2011, based on EAD 030436-00-0503(03.2019)**

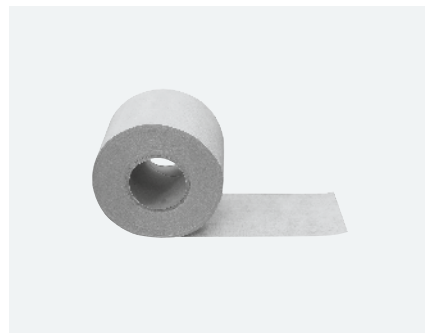


#### Sealing membrane 100cm wide

Sealing membrane 100cm wide, length 5m'  
07003414

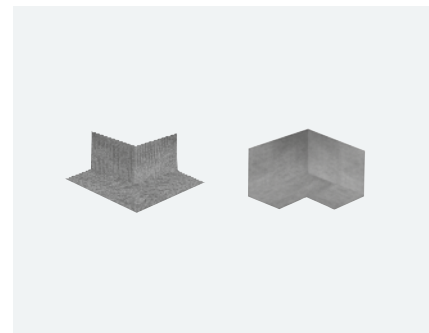
Sealing membrane 100cm wide, length 10m'  
07003415

Sealing membrane 100cm wide, length 30m'  
07003416



#### Sealing membrane 12.5cm wide

Sealing strip 12.5cm wide, length 30m'  
07003417



#### Corner Sealing

Self-adhesive inside corner set 2 pieces  
07003412

Self-adhesive outside corner set 2 pieces  
07003413

### UK Pipe Adaptor

A required part for uBox Universals 01001180, 56022180 and 01002180 which enables the pipe to be adapted from 56mm to 50mm.



#### Pipe Adaptor for uBox

UK Pipe Adaptor  
07003354

# Installation guides

## RainDrain Flex standard in floor - 1700 x 900mm



**RainDrain Flex - Flush to wall**  
Finish set shower drain 1200 cuttable  
56047670



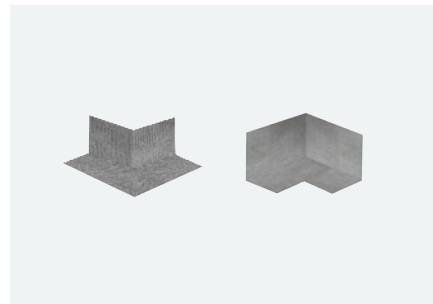
**uBox universal for standard installation**  
Base set for finish sets for standard installation  
01001180



Requires connector 07003354



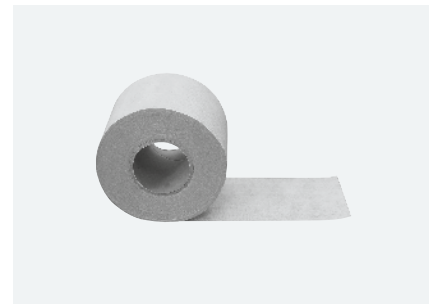
**Sealing primer**  
Set consisting of: 4kg for ca. 3m²  
07003419



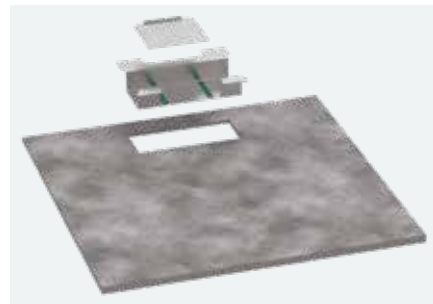
**Corner Sealing**  
Self-adhesive inside corner set 2 pieces  
07003412  
Self-adhesive outside corner set 2 pieces  
07003413



**Sealing membrane 100cm wide**  
Sealing membrane 100cm wide, length 5m'  
07003414



**Sealing membrane 12.5cm wide**  
Sealing strip 12.5cm wide, length 30m'  
07003417



**Sloping board**  
1000 x 1000mm  
07003392



**Sloping board**  
Side extension set 2x 350 x 1000mm  
07003393



**Easy turn slope profile**  
Left or right side connection  
07003348

**5** YEAR PRODUCT GUARANTEE

All products carry a minimum 5 year manufacturing guarantee inc. parts and labour.

**15** YEAR PARTS AVAILABILITY GUARANTEE

Spare parts held for 15 years after product discontinuation.

All hansgrohe RainDrain products come with our guarantees even when used with other suppliers tanking products.



# hansgrohe



Want to find out more? Register online and you'll always be the first to know about what's new from hansgrohe. We look forward to seeing you!  
[www.hansgrohe.co.uk/register](https://www.hansgrohe.co.uk/register)



## Hansgrohe Customer Service

For technical enquiries, our experts will be happy to assist you with their extensive knowledge of the entire hansgrohe product range. Service and replacement parts are delivered in the fastest possible manner.

Service hours:

Monday - Friday: 9am - 5pm

Trade Helpline: 01926 242300

Enquiries: [customerservices@hansgrohe.co.uk](mailto:customerservices@hansgrohe.co.uk)

Hansgrohe Limited - Unit 2 - Edgehill Drive - Tournament Fields  
Warwick - CV34 6XQ - Telephone 01926 242300

RainDrain 2024 - Subject to technical alterations and colour differences due to the printing process. Prices listed are inclusive of VAT. Prices are subject to change and were correct at time of going to print. Form-Nr.: 07004690

