

hansgrohe

Life is waterful.



RainDrain

pro.hansgrohe.be

RainDrain

5	uBox universal
6	Overview
10	Technology
12	RainDrain Flex
14	RainDrain Match
16	RainDrain Rock
18	RainDrain Original
20	RainDrain Compact
22	RainDrain Allround
24	RainDrain Go
26	RainDrain Match Plus
28	RainDrain Minimalistic
30	RainDrain Board
32	RainDrain Spot
34	RainDrain Spot Plus
36	RainDrain Brilliance
38	RainDrain Point
40	RainTurn
42	Product overview – RainDrain





RainDrain

Systematic drainage



Pretty.

One base set for all.

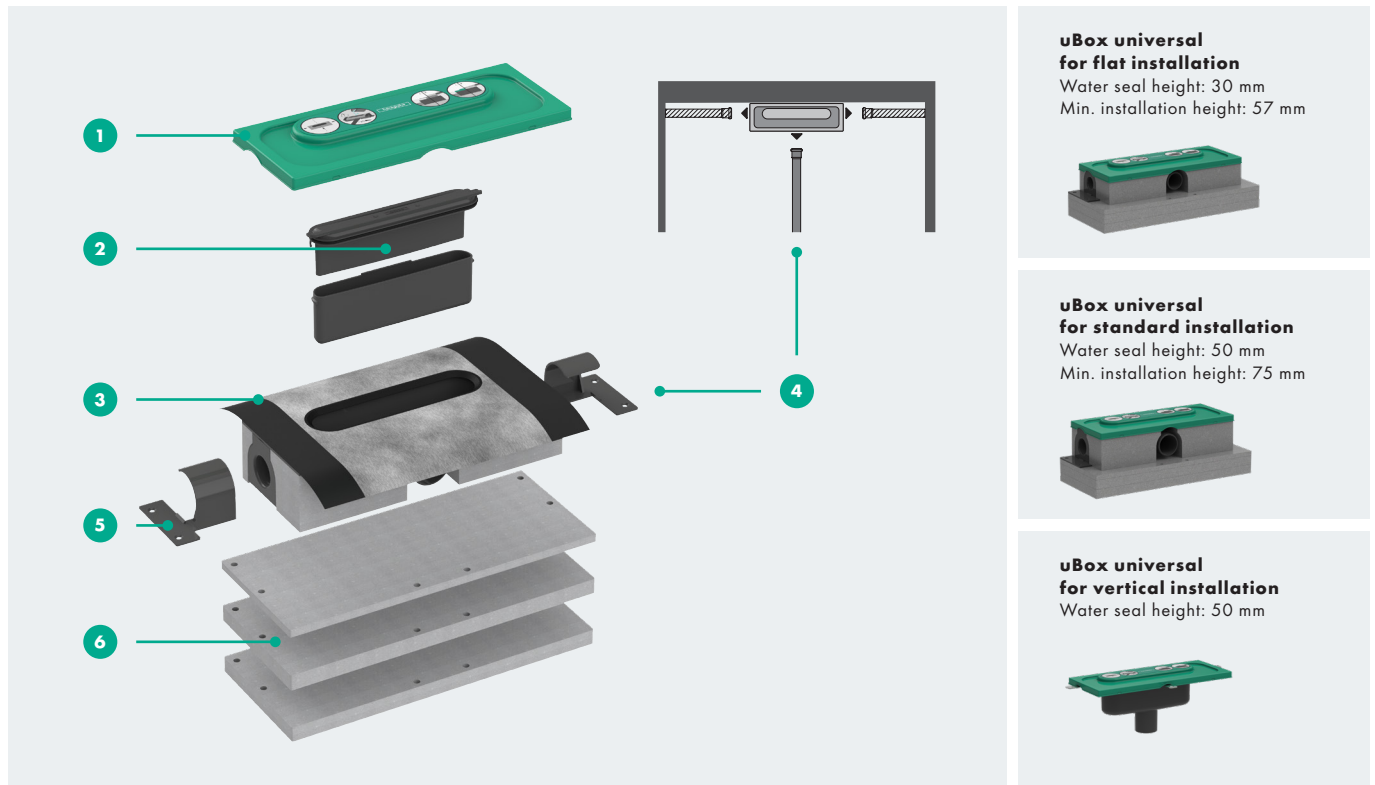
Clever.

One bathroom, one look.



uBox universal

One base set for all installation scenarios



Features

- 1 Screed cover protects from dirt during shell construction
- 2 Easy-to-clean siphon included as standard
- 3 Pre-assembled sealing membrane as per DIN 18534
- 4 Flexible connection options with outlets on three sides
- 5 Easy attachment to the floor with mounting bracket
- 6 Easy height adjustment with three plates (2 x 20 mm, 1 x 10 mm)

Specifications

uBox universal for flat installation

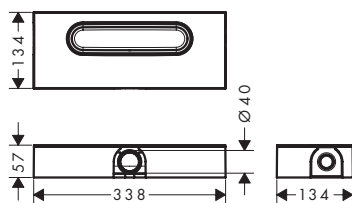
Minimum installation height: 57 mm
 Siphon drainage capacity: up to 33 l/min
 Dryphon drainage capacity: up to 55 l/min

uBox universal for standard installation

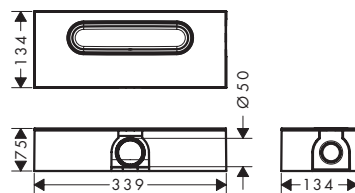
Minimum installation height: 75 mm
 Siphon drainage capacity: up to 42 l/min (as per EN 1253)
 Dryphon drainage capacity: up to 60 l/min

uBox universal for vertical installation

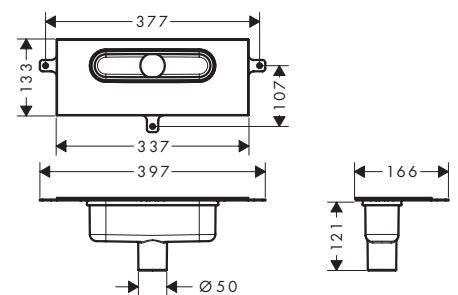
Minimum installation height: -
 Siphon drainage capacity: up to 42 l/min (as per EN 1253)
 Dryphon drainage capacity: up to 60 l/min



uBox universal for flat installation

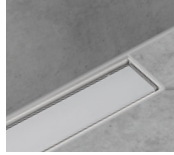


uBox universal for standard installation



uBox universal for vertical installation

RainDrain overview



Product name	RainDrain Flex	RainDrain Match	RainDrain Rock	RainDrain Original	RainDrain Compact
Perfect for	Easy to shorten on site	Perfectly flush with the tile thickness	Developed for use with natural stone	Effortless installation with maximum hygiene	Problem solver for renovation projects
Length (mm)	700-1600	600-1200	600-1200	600-1200	600-1200
Finish					
Installation	Free in floor / Wall	Free in floor / Wall	Free in floor	Free in floor	Free in floor
Min. installation height	63 mm (flat) 81 mm (standard)	80 mm (flat) 98 mm (standard)	80 mm (flat) 98 mm (standard)	57 mm (flat) 75 mm (standard)	43 mm (flat) 63 mm (standard)
Drain Capacity up to (l/min)	33 l/min (flat) 42 l/min (standard)	33 l/min (flat) 42 l/min (standard)	33 l/min (flat) 42 l/min (standard)	32 l/min (flat) 49 l/min (standard)	27 l/min (flat) 37 l/min (standard)
Parts to order	uBox Finish Set	uBox Installation Set Finish Set	uBox Installation Set Finish Set	uBox Finish Set	Complete Set
uBox Technology	■	■	■	■	
Dryphon Technology	■	■	■	■	
Tileable Grate		■	■		■





RainDrain Allround

Complete waterproof solution

700-1200



Free in floor

67 mm (flat)
83 mm (standard)

32 l/min (flat)
33 l/min (standard)

Complete Set



RainDrain Go

Perfect fit for every project

500 - 1200



Free in floor

76 mm (flat)
96 mm (standard)

31 l/min (flat)
39 l/min (standard)

Complete Set



RainDrain Match Plus

Elegant design with subtle widened frame

800 - 1200



Free in floor

80 mm (flat)
98 mm (standard)

33 l/min (flat)
42 l/min (standard)

uBox
Installation Set
Finish Set



RainDrain Minimalistic

Minimal appearance

700 - 1200



Wall

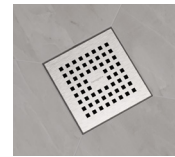
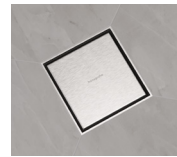
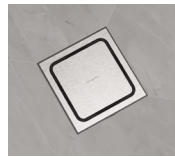
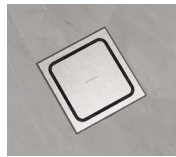
67 mm (flat)
85 mm (standard)

28 l/min (flat)
33 l/min (standard)

uBox
Finish Set



RainDrain overview



Product name	RainDrain Spot	RainDrain Spot Plus	RainDrain Brilliance	RainDrain Point
Perfect for	Maximum placement flexibility	Suitable for any bathroom	Perfectly flush with the tile thickness	Suitable for any bathroom
Length (mm)	150 x 150	150 x 150	100 x 100 150 x 150	100 x 100 150 x 150
Finish	●	●	● ●	● ●
Installation	Free in floor	Free in floor	Free in floor	Free in floor
Min. installation height	68 mm (standard)	80 mm (standard)	75 mm (standard)	56 mm (standard)
Drain Capacity up to (l/min)	35 l/min	35 l/min	35 l/min	41 l/min
Parts to order	Complete Set	Complete Set	Complete Set	Complete Set

uBox Technology

Dryphon Technology

Tileable Grate





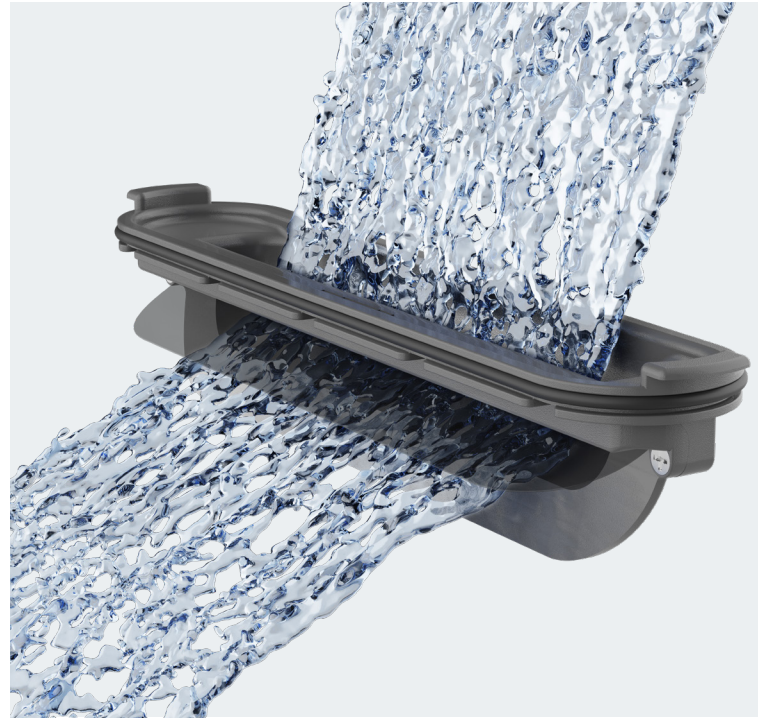
Technology

Minimum cleaning combined with higher drainage capacity

Drainage reinvented: Dryphon

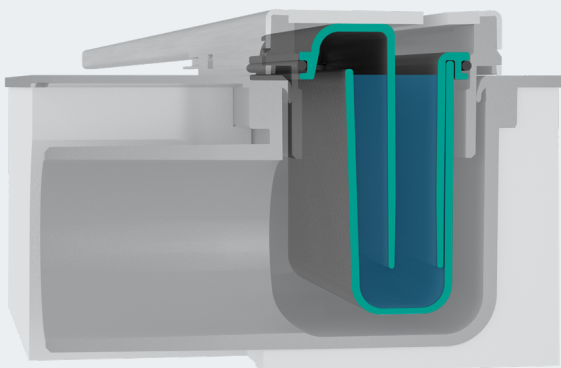
The design and high flow rate prevent dirt and hair from attaching, minimising cleaning efforts. The patented design offers a significant improvement in drainage capacity up to 60 litres per minute, exceeding all standard requirements and regulations.

The Dryphon system opens and closes with a flexible membrane. This membrane allows water to pass through when needed while blocking sewer gases when no water is flowing through. Also, because it does not rely on a traditional water seal to seal the connection to the sewer, it cannot dry out while still controlling pressure differences in the sewer.



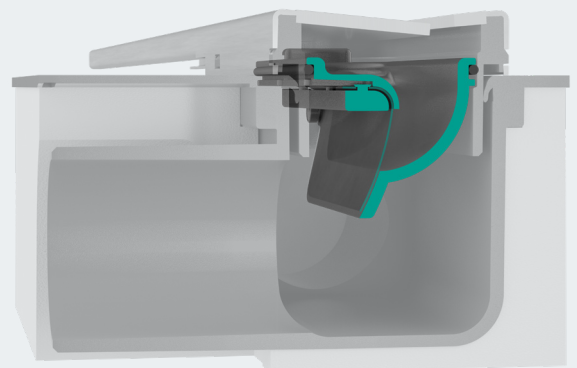
hansgrohe Siphon technology

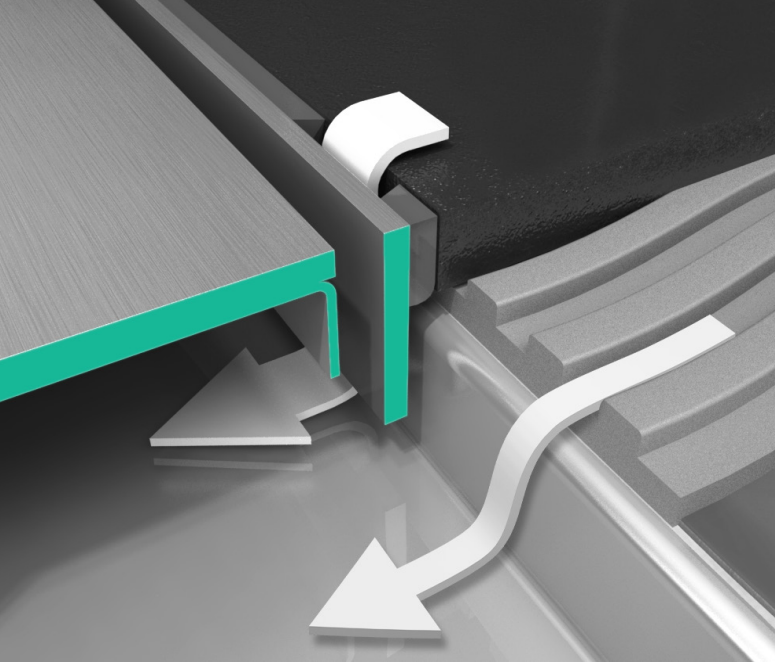
- High drainage capacity up to 42 l/min
- Low dirt adhesion, as manufactured without seams
- Easy to clean, as can be dismantled
- Removable
- Minimal installation depth



hansgrohe Dryphon technology

- Significantly higher drainage capacity up to 60 l/min
- Durable and temperature-resistant membrane
- Minimal cleaning required, no siphon resistance
- Removable
- Minimal installation depth
- Full odour barrier
- Cannot dry out





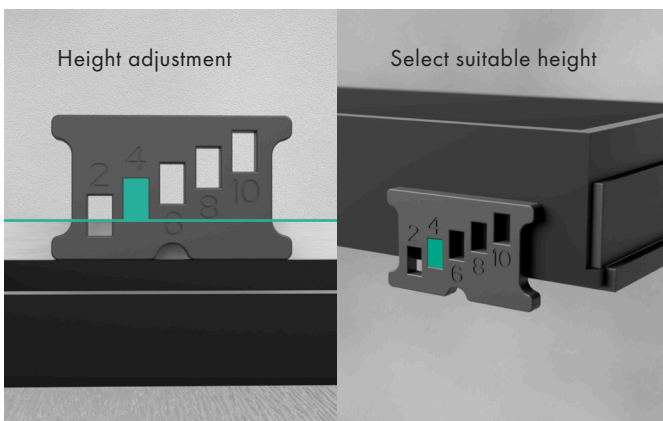
Secondary drainage

With the RainDrain Match and Brilliance, the height-adjustable frame is not only used to level to tile thickness, but also for secondary drainage. With secondary drainage, water entering through the sealing joints or faulty tile joints will drain into the shower channel thanks to the slope.

For secondary drainage, the entire wet area must be professionally sealed and no sealing must be applied below the service joint between the frame and the installation set.

Pre-assembled sealing membrane as per DIN 18534

Planners and contractors are required to comply with numerous works contract provisions. The pre-assembled sealing membrane was developed as a standard to prevent mistakes when installing shower drains in combination with waterproofing system.



Height flexibility

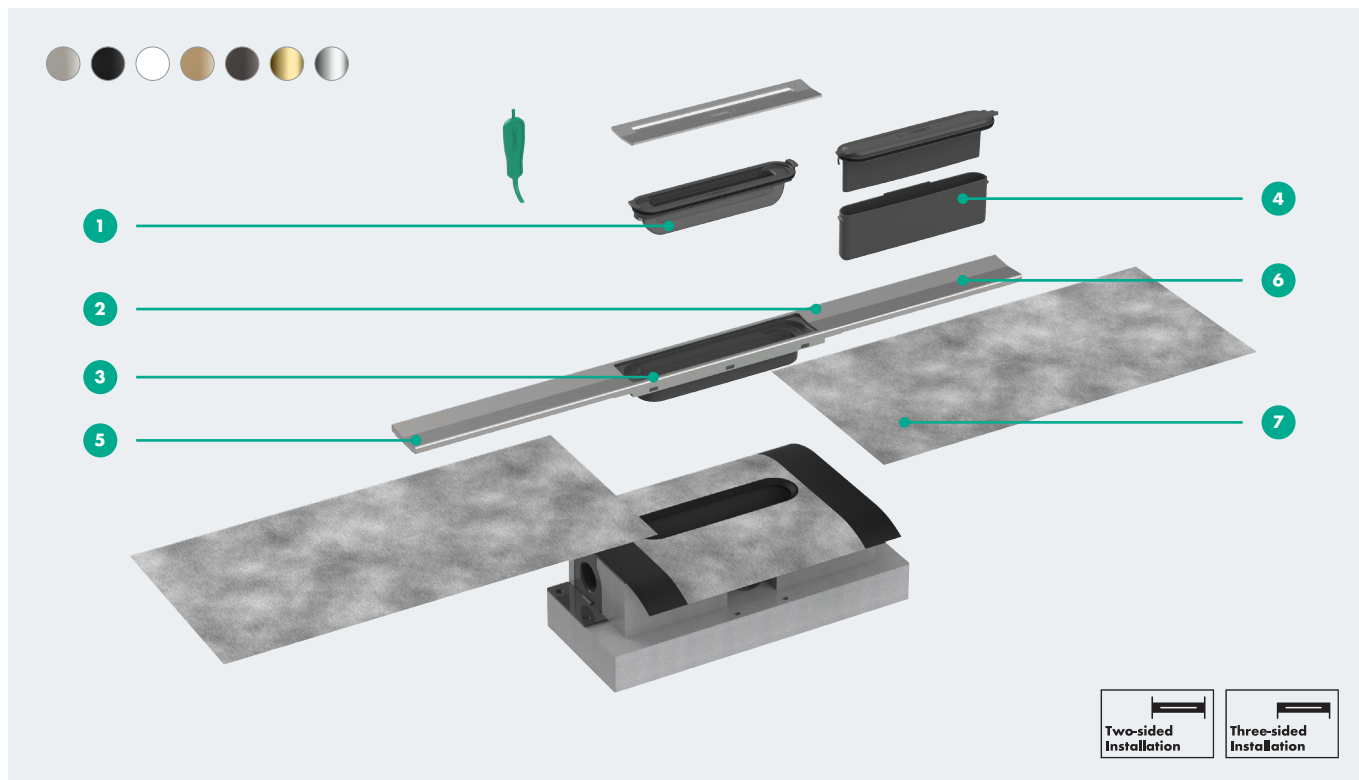
The finish set can be easily adjusted to different heights by using either the grate or the height adjustable frame. The sturdy Stainless Steel frame adapts to tile thicknesses of 7-18 mm, making installation easy and safe.

Easy to clean siphon and surface



RainDrain Flex

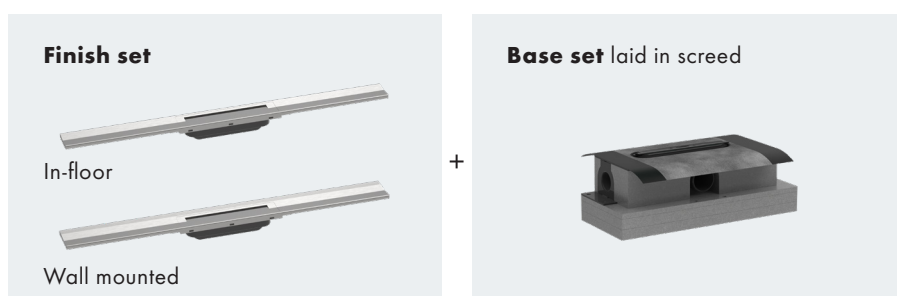
Easy to shorten on site



Features

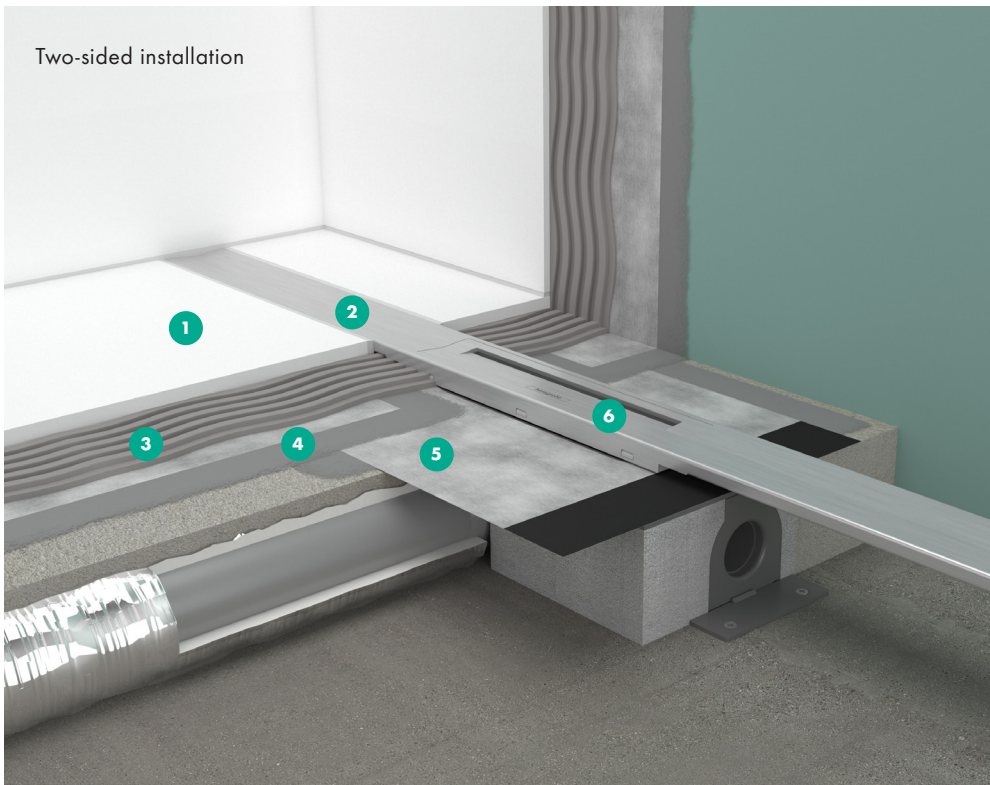
- 1 Dryphon technology: high drainage capacity (up to 60 l/min), minimal cleaning required
- 2 Design grate: Brushed Stainless Steel, Matt Black, Matt White, Brushed Bronze, Brushed Black Chrome, Polished Gold Optic, Chrome
- 3 Base set adapter: easy levelling to tile thickness 7-18 mm
- 4 Siphon 50 mm (as per EN 1253), also available in 30 mm
- 5 Installation: wall-mounted or in-floor. Both versions available
- 6 Design grate made of Stainless Steel 304 (1.4301) with built-in slope. Can be shortened on site.
- 7 Sealing membrane extension for uBox as per DIN 18534

Required sets





Simply scan the code and check out RainDrain Flex.



Two-sided installation

- 1 Tile thickness up to 18 mm
- 2 Design grate
Stainless Steel 304 (1.4301)
- 3 Tile adhesive
- 4 Waterproofing membrane
- 5 Pre-assembled sealing membrane
- 6 Removable cover

Specifications

Dimensions

700, 800, 900,
1000, 1200, 1600 mm

Connection

Horizontal
Vertical

Tile thickness

up to 18 mm

Grate width

60 mm (In-floor)
76 mm (Wall mounted)

uBox universal for flat installation

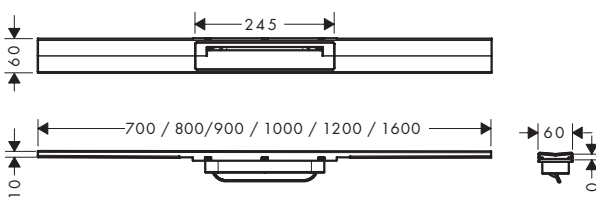
Minimum installation height: 63 mm
Siphon drainage capacity: up to 33 l/min
Dryphon drainage capacity: up to 55 l/min

uBox universal for standard installation

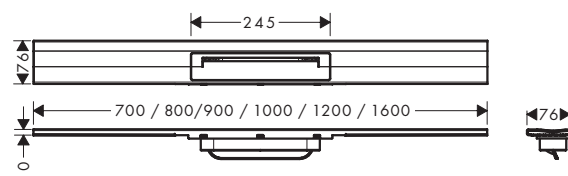
Minimum installation height: 81 mm
Siphon drainage capacity: up to 42 l/min (as per EN 1253)
Dryphon drainage capacity: up to 60 l/min

uBox universal for vertical installation

Minimum installation height: -
Siphon drainage capacity: up to 42 l/min (as per EN 1253)
Dryphon drainage capacity: up to 60 l/min



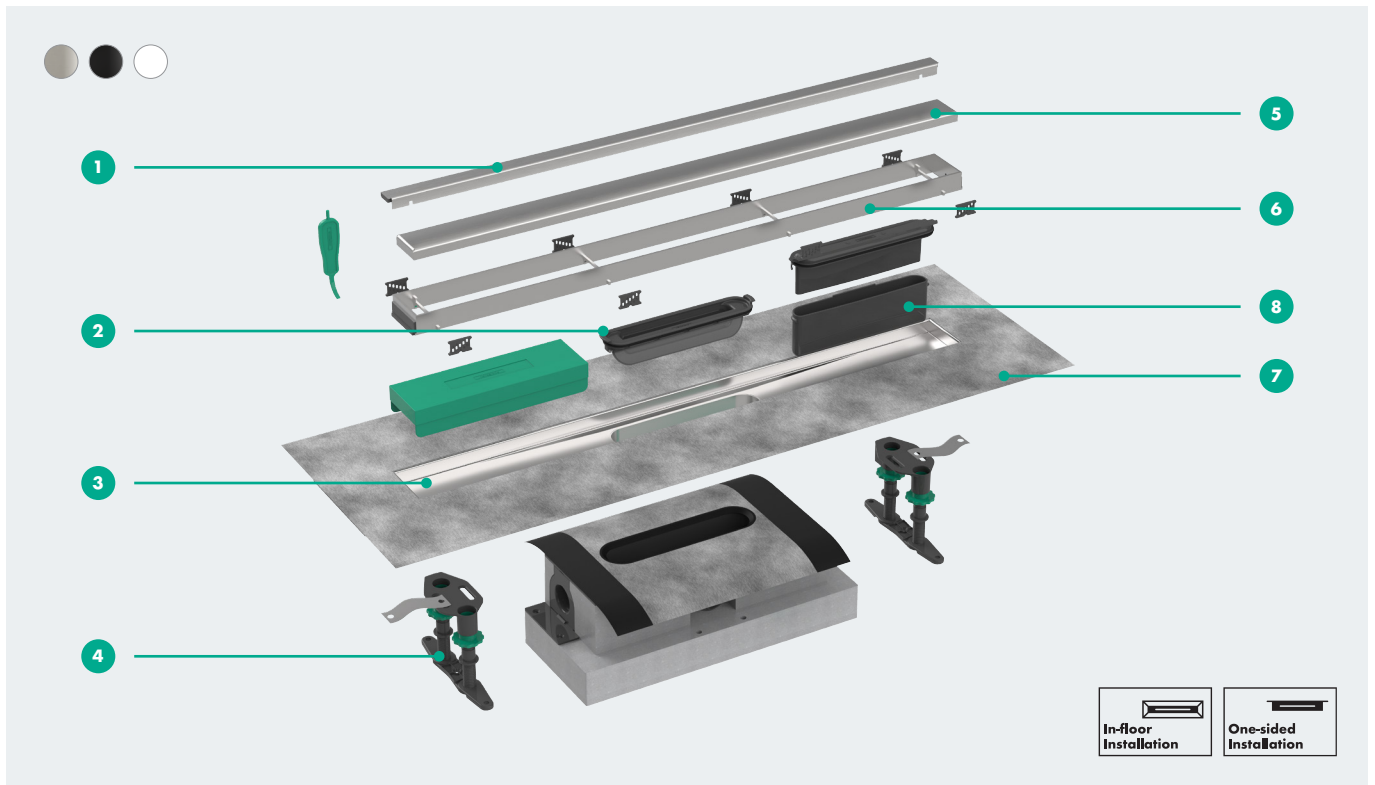
RainDrain Flex



RainDrain Flex for wall mounting

RainDrain Match

Perfectly flush with the tile thickness



Features

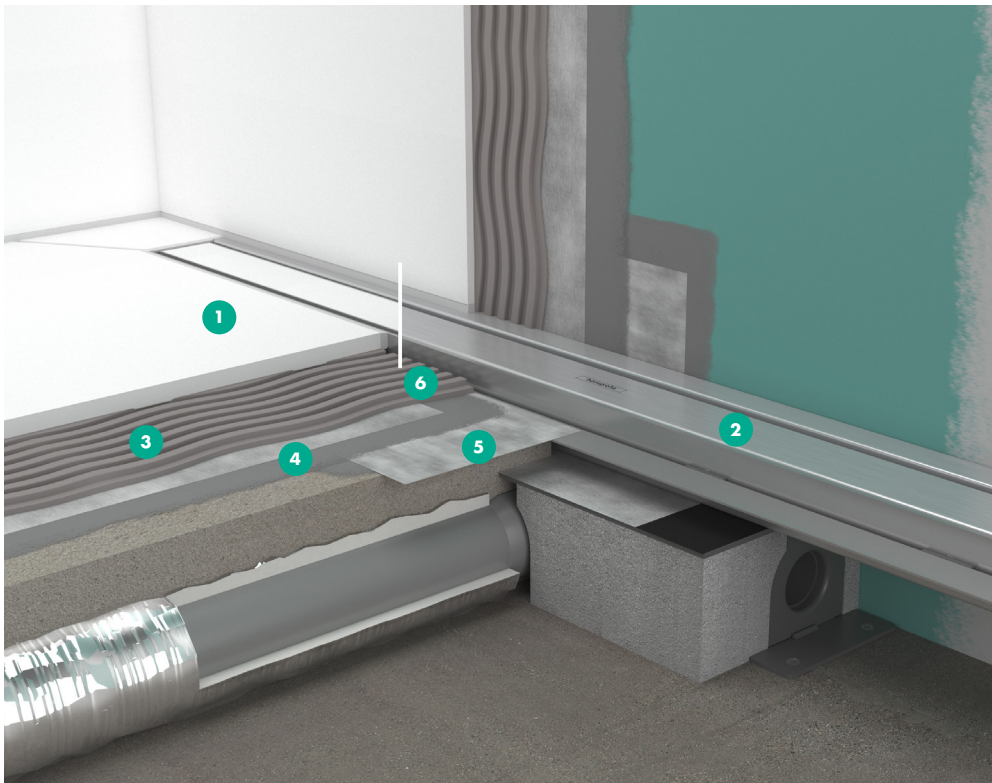
- 1 Installation: wall-mounted or in-floor. Wall flange included
- 2 Dryphon technology: high drainage capacity (up to 60 l/min), minimal cleaning required
- 3 Installation set: Stainless Steel 304 (1.4301) with built-in slope
- 4 Height-adjustable feet: easy adjustment and fixing to the floor
- 5 Design grate: Brushed Stainless Steel, Matt Black, Matt White, two glass surfaces (Black, White), Chrome. Design grate can be tiled on the back (except glass surfaces)
- 6 Height-adjustable frame: easy adjustment to tile thickness 7-18 mm
- 7 Pre-assembled sealing membrane as per DIN 18534
- 8 Siphon 50 mm (as per EN 1253), also available in 30 mm

Required sets





Simply scan the code and check out RainDrain Match.



- 1** Tile thickness up to 18 mm
- 2** Design grate
Stainless Steel 304 (1.4301)
- 3** Tile adhesive
- 4** Waterproofing membrane
- 5** Pre-assembled sealing membrane
- 6** Secondary drainage possible

Specifications

Dimensions

600, 700, 800, 900, 1000, 1200 mm

Tile inlay depth

12 mm

Connection

Horizontal
Vertical

Tile thickness

up to 18 mm

Grate width

46 mm

Frame width

62 mm (In-floor)
81 mm (Wall flange included)

uBox universal for flat installation

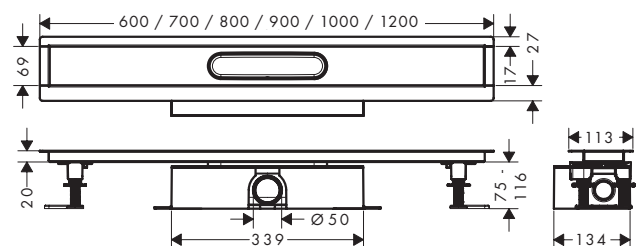
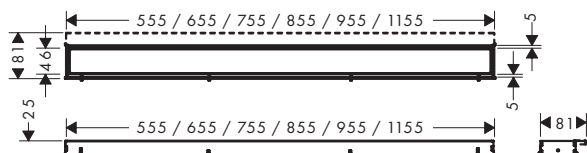
Minimum installation height: 80 mm
Drainage capacity: up to 33 l/min
Dryphon drainage capacity: up to 55 l/min

uBox universal for standard installation

Minimum installation height: 98 mm
Drainage capacity: up to 42 l/min (as per EN 1253)
Dryphon drainage capacity: up to 60 l/min

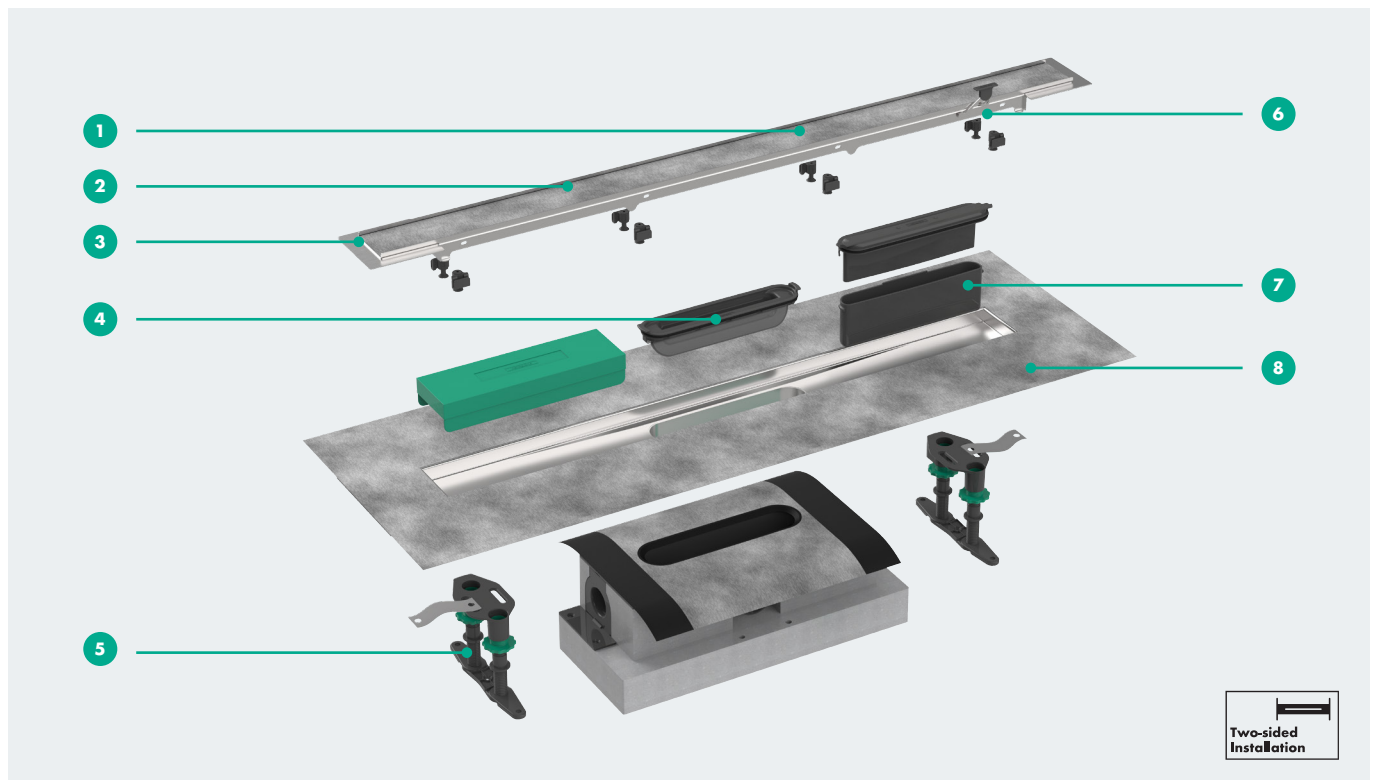
uBox universal for vertical installation

Minimum installation height: -
Drainage capacity: up to 42 l/min (as per EN 1253)
Dryphon drainage capacity: up to 60 l/min



RainDrain Rock

Developed for use with natural stone



Features

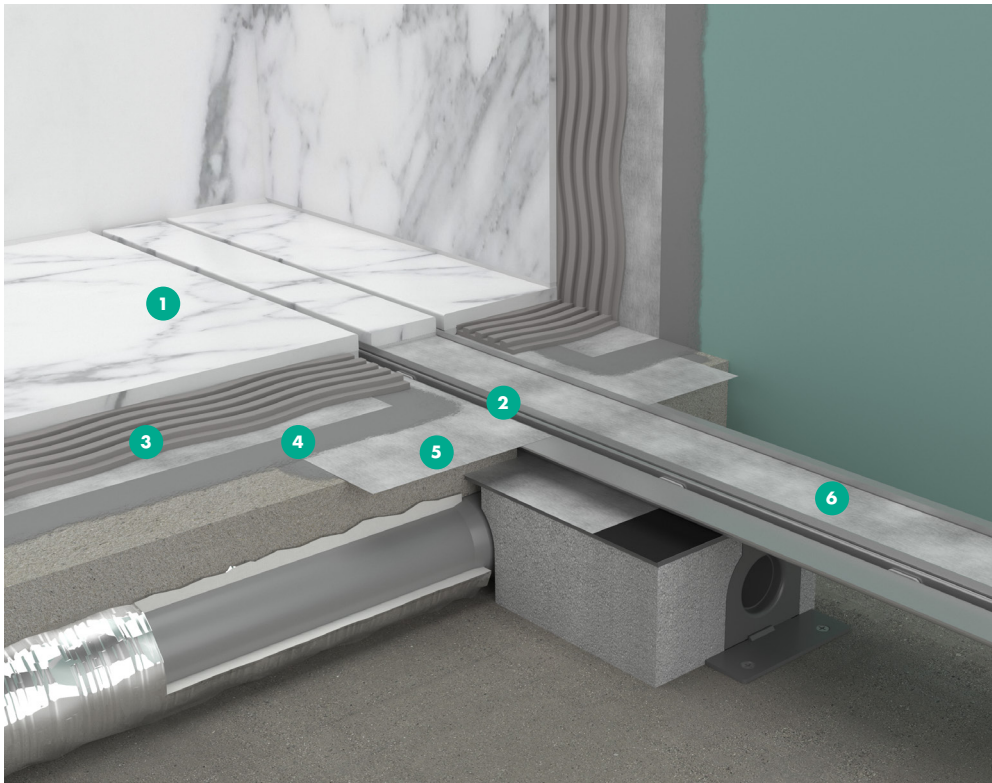
- 1 Design grate can be tiled, with tiles up to 40 mm thick.
- 2 304 Stainless Steel design grate with membrane for strong attachment to the tile adhesive
- 3 Cover: can be shortened on site, with 50 mm excess length on both sides
- 4 Dryphon technology: high drainage capacity (up to 60 l/min), minimal cleaning required
- 5 Height-adjustable feet: easy adjustment and fixing to the floor
- 6 Lifting tool for easy removal of the design grate
- 7 Siphon 50 mm (as per EN 1253), also available in 30 mm
- 8 Pre-assembled sealing membrane as per DIN 18534

Required sets





Simply scan the code and check out RainDrain Rock.



- 1 Tile thickness up to 40 mm
- 2 Design grate
Stainless Steel 304 (1.4301)
- 3 Tile adhesive
- 4 Waterproofing membrane
- 5 Pre-assembled sealing membrane
- 6 Tileable design grate

Specifications

Dimensions

600, 700, 800, 900,
1000, 1200 mm

Grate width

58 mm

uBox universal for flat installation

Minimum installation height: 80 mm
Siphon drainage capacity: up to 33 l/min
Dryphon drainage capacity: up to 55 l/min

Connection

Horizontal
Vertical

Tile thickness

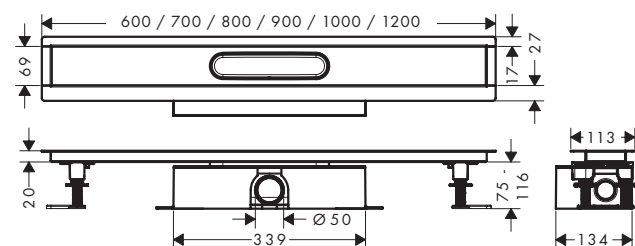
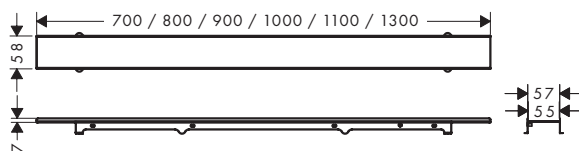
up to 40 mm

uBox universal for standard installation

Minimum installation height: 98 mm
Siphon drainage capacity: up to 42 l/min (as per EN 1253)
Dryphon drainage capacity: up to 60 l/min

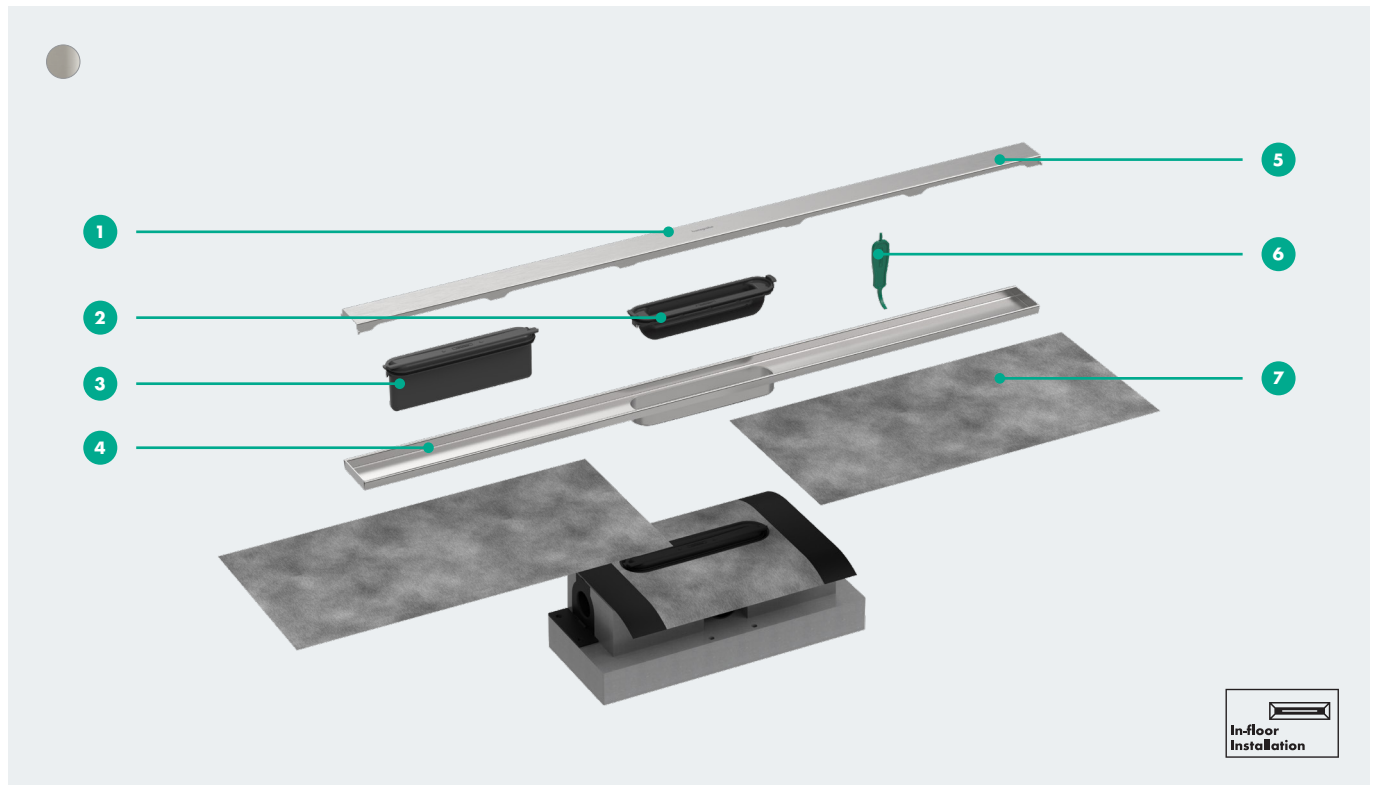
uBox universal for vertical installation

Minimum installation height: -
Siphon drainage capacity: up to 42 l/min (as per EN 1253)
Dryphon drainage capacity: up to 60 l/min



RainDrain Original

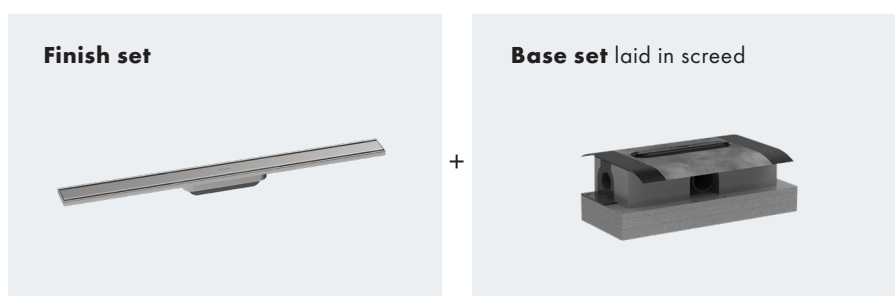
Effortless installation with maximum hygiene



Features

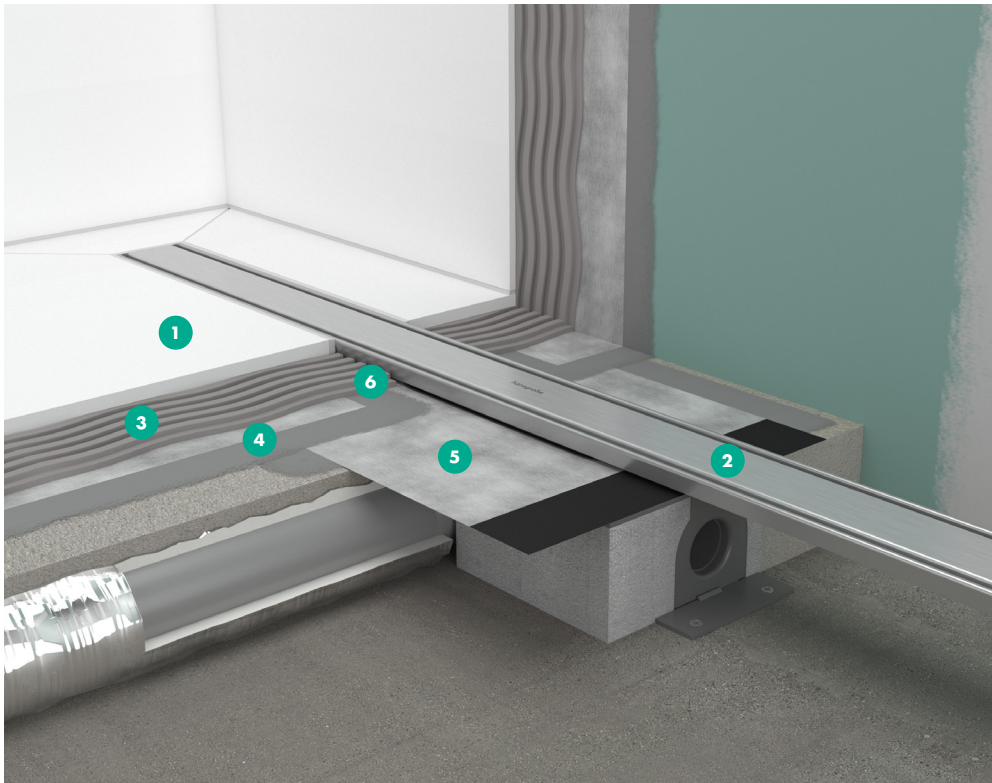
- 1 Design grate: Brushed Stainless Steel
- 2 Dryphon technology: high drainage capacity (up to 60 l/min), minimal cleaning required
- 3 Siphon 50 mm, siphon also available in 30 mm
- 4 Installation set: Stainless Steel 304 (1.4301)
- 5 Installation: in-floor
- 6 Grate removal tool: allows easy removal of the finish set
- 7 Sealing membrane extension for uBox as per DIN 18534

Required sets





Simply scan the code and check out RainDrain Original.



- 1 Tile thickness up to 18 mm
- 2 Design grate
Stainless Steel 304 (1.4301)
- 3 Tile adhesive
- 4 Waterproofing membrane
- 5 Pre-assembled sealing membrane

Specifications

Dimensions

600, 700, 800, 900,
1000, 1200 mm

Tile thickness

up to 18 mm

uBox universal for flat installation

Minimum installation height: 57 mm
Drainage capacity: up to 32 l/min
Dryphon drainage capacity: up to 55 l/min

Connection

Horizontal
Vertical

Grate width

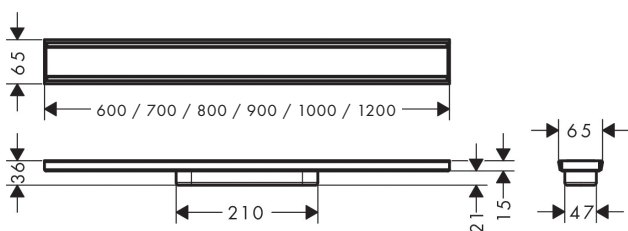
65 mm

uBox universal for standard installation

Minimum installation height: 75 mm
Drainage capacity: up to 49 l/min
Dryphon drainage capacity: up to 60 l/min

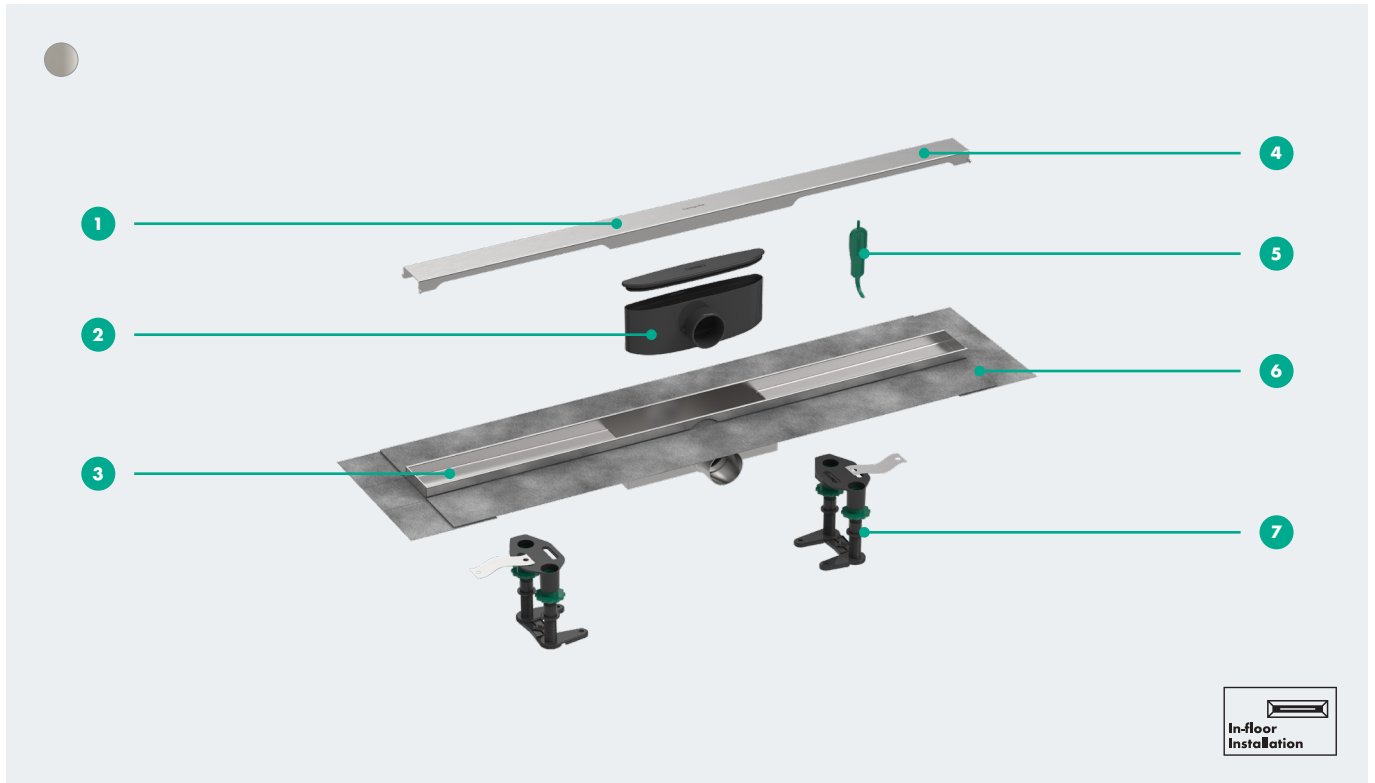
uBox universal for vertical installation

Minimum installation height: -
Drainage capacity: up to 42 l/min
Dryphon drainage capacity: up to 60 l/min



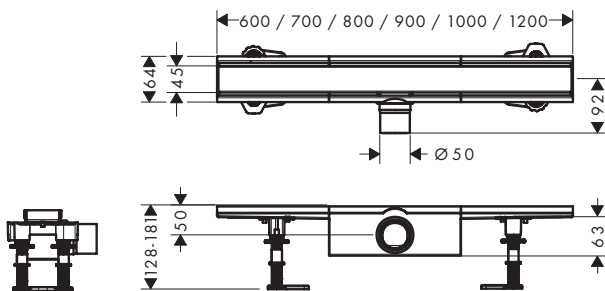
RainDrain Compact

Problem solver for renovation projects

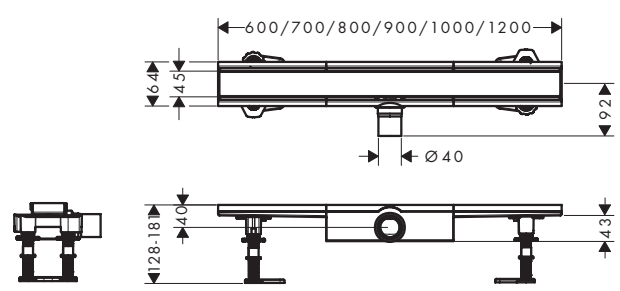


Features

- 1 Design grate: Brushed Stainless Steel, Tileable inlay
- 2 Siphon 50 mm, siphon also available in 30 mm
- 3 Installation set: Stainless Steel 304 (1.4301) with built-in slope
- 4 Installation: in-floor
- 5 Grate removal tool: allows easy removal of the finish set
- 6 Pre-assembled sealing membrane as per DIN 18534
- 7 Height-adjustable feet: easy adjustment and fixing to the floor



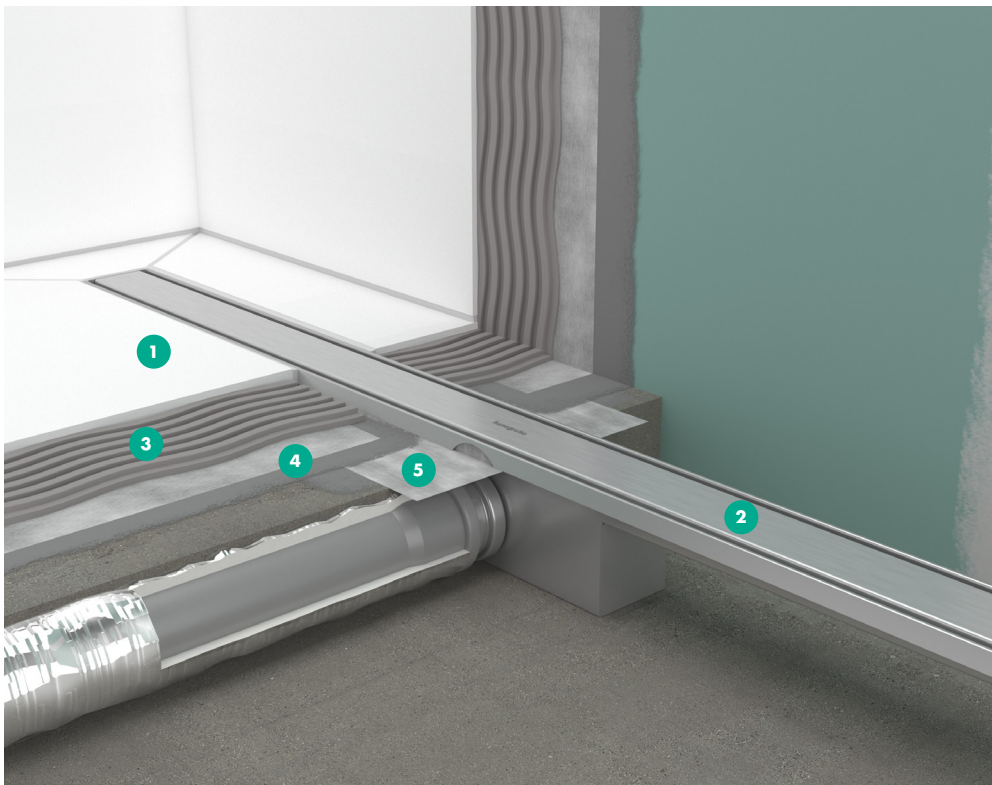
RainDrain Compact standard installation



RainDrain Compact flat installation



Simply scan the code and check out RainDrain Compact.



- 1 Tile thickness up to 18 mm
- 2 Design grate
Stainless Steel 304 (1.4301)
- 3 Tile adhesive
- 4 Waterproofing membrane
- 5 Pre-assembled sealing membrane

Specifications

Dimensions

600, 700, 800, 900, 1000, 1200 mm

Tile thickness

up to 18 mm

Complete set for flat installation

Minimum installation height: 43 mm

Drainage capacity: up to 27 l/min

Tile inlay depth

12 mm

Grate width

45 mm

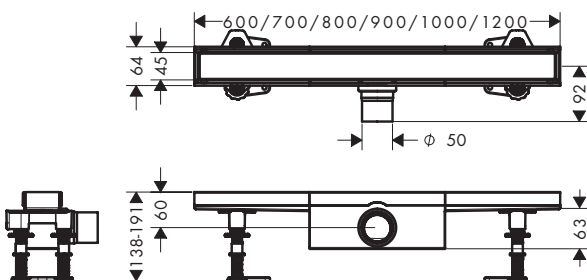
Complete set for standard installation

Minimum installation height: 63 mm

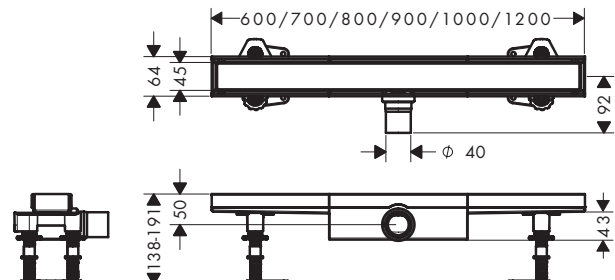
Drainage capacity: up to 37 l/min

Connection

Horizontal



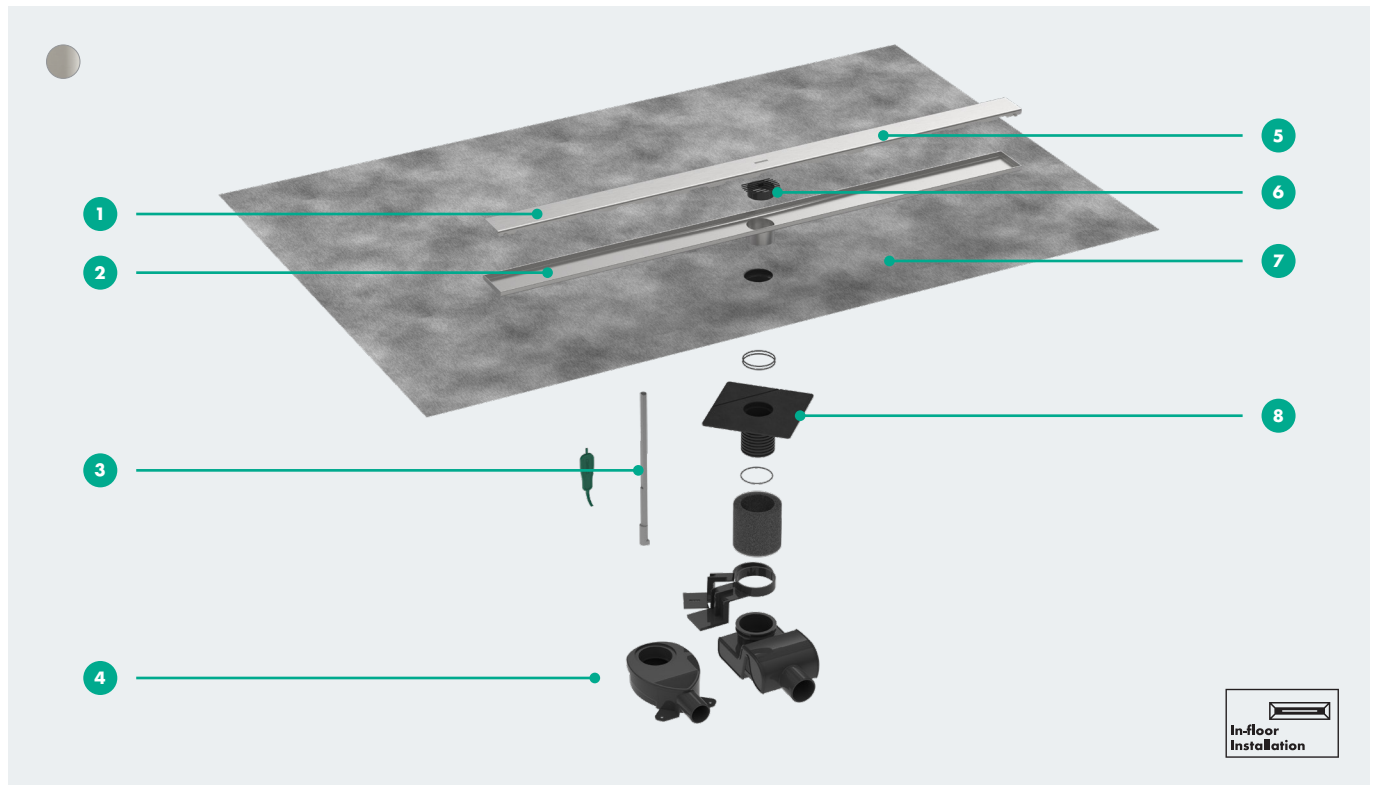
RainDrain Compact standard installation tile



RainDrain Compact flat installation tile

RainDrain Allround

Complete waterproof solution

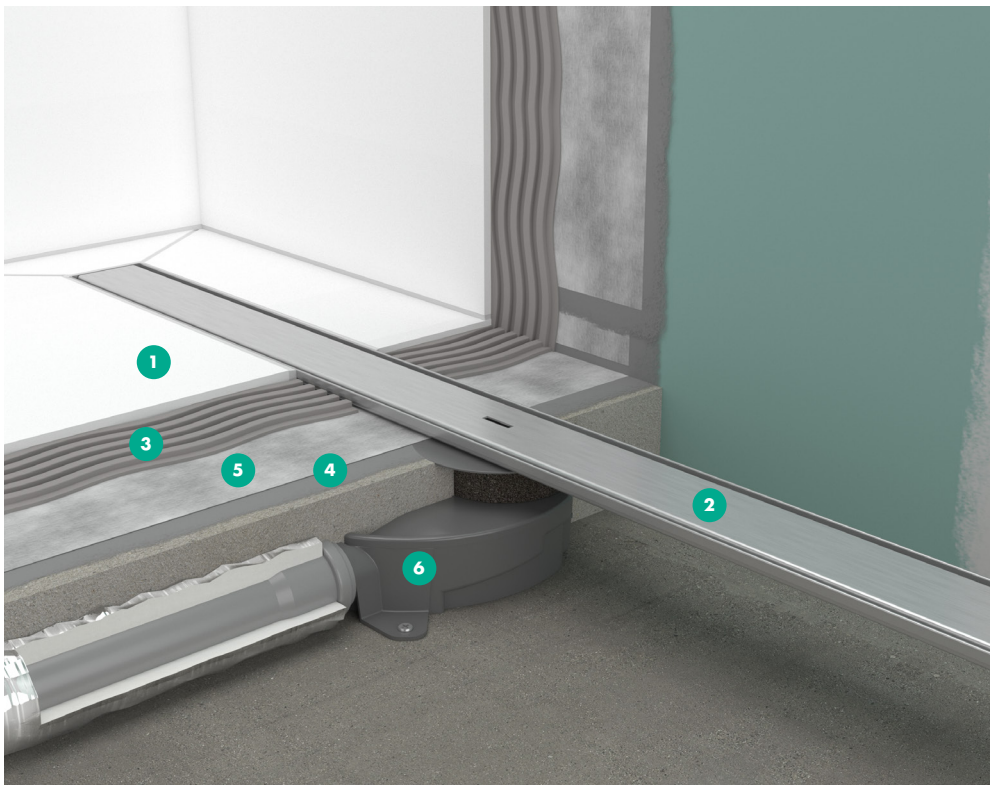


Features

- 1 Design grate: Brushed Stainless Steel
- 2 Installation set: Stainless Steel 304 (1.4301) with built-in slope
- 3 Cleaning plug for access to siphon
- 4 Two siphons included: water seal 28 and 50 mm
- 5 Installation: in-floor
- 6 Hair catcher
- 7 Pre-assembled sealing membrane 1500 x 1300 mm as per DIN 18534
- 8 Screed adapter: for easy height adjustment of screed floor to the shower drain



Simply scan the code and check out RainDrain Allround.



- 1 Tile thickness up to 18 mm
- 2 Design grate
Stainless Steel 304 (1.4301)
- 3 Tile adhesive
- 4 Waterproofing membrane
- 5 Pre-assembled sealing membrane
- 6 Rotatable siphon

Specifications

Dimensions
700, 800, 900,
1000, 1200 mm

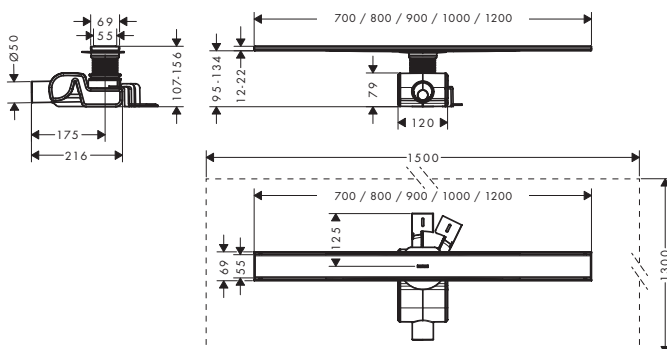
Grate width
69 mm

Complete set for flat installation
Minimum installation height: 67 mm
Drainage capacity: up to 32 l/min

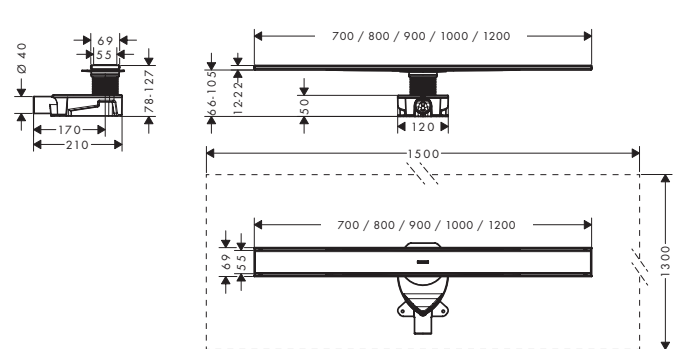
Connection
Horizontal

Tile thickness
up to 18 mm

Complete set for standard installation
Minimum installation height: 83 mm
Drainage capacity: up to 33 l/min



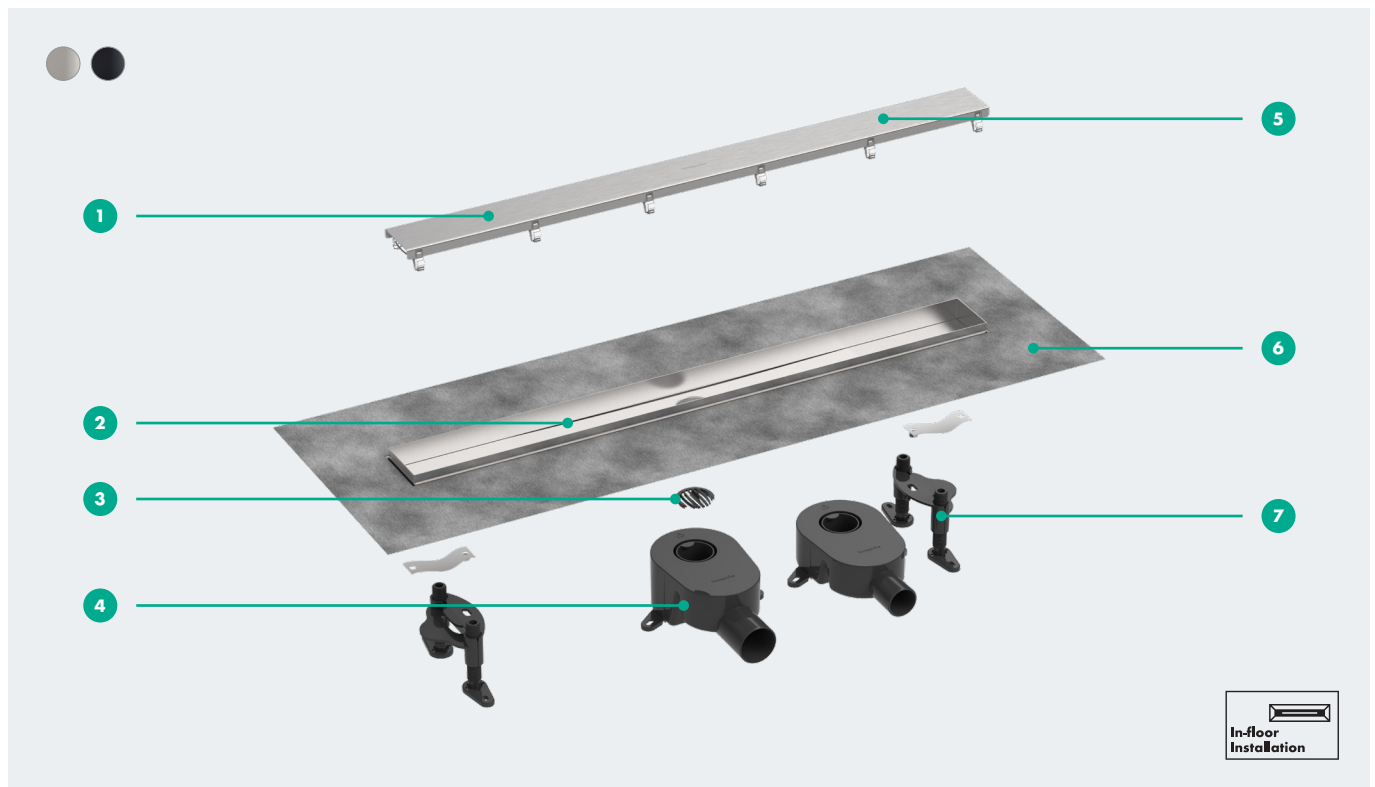
RainDrain Allround standard installation



RainDrain Allround flat installation

RainDrain Go

Perfect fit for every project

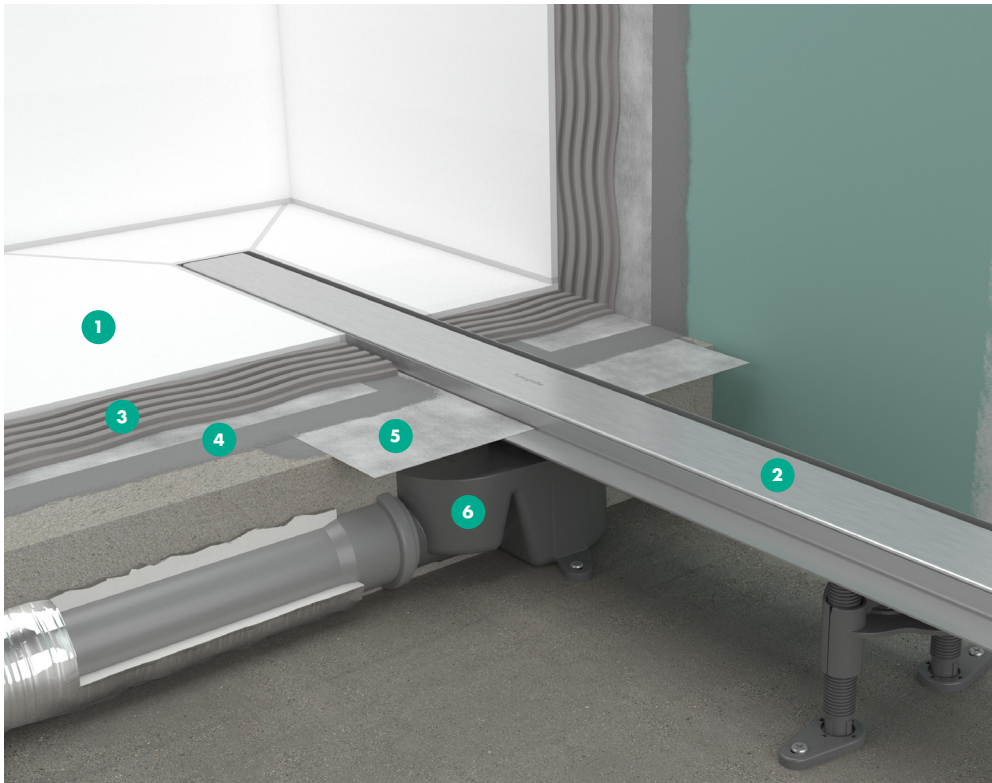


Features

- 1 Design grate: Brushed Stainless Steel, Matt Black, Tileable backside
- 2 Installation set: Stainless Steel 304 (1.4301) with built-in slope
- 3 Hair catcher
- 4 Two siphons included: water seal 28 and 50 mm (as per EN 1253)
- 5 Installation: in-floor
- 6 Pre-assembled sealing membrane as per DIN 18534
- 7 Height-adjustable feet: easy adjustment and fixing to the floor



Simply scan the code and check out RainDrain Go.



- 1** Tile thickness up to 18 mm
- 2** Design grate
Stainless Steel 304 (1.4301)
- 3** Tile adhesive
- 4** Waterproofing membrane
- 5** Pre-assembled sealing membrane
- 6** Siphon body ABS

Specifications

Dimensions

500, 600, 700, 800,
900, 1000, 1200 mm

Grate width

58 mm

Complete set for flat installation

Minimum installation height: 76 mm
Drainage capacity: up to 31 l/min

Tile inlay depth

12 mm

Tile thickness

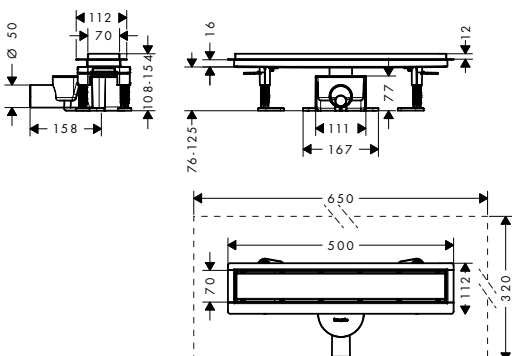
up to 11 mm

Complete set for standard installation

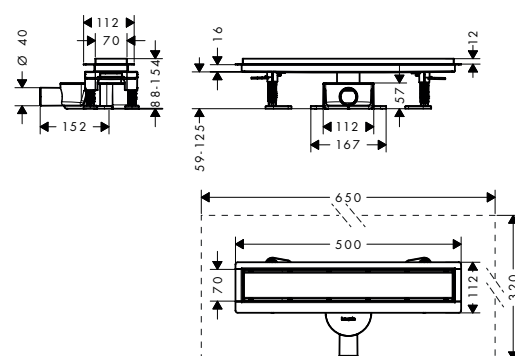
Minimum installation height: 96 mm
Drainage capacity: up to 39 l/min

Connection

Horizontal
Vertical



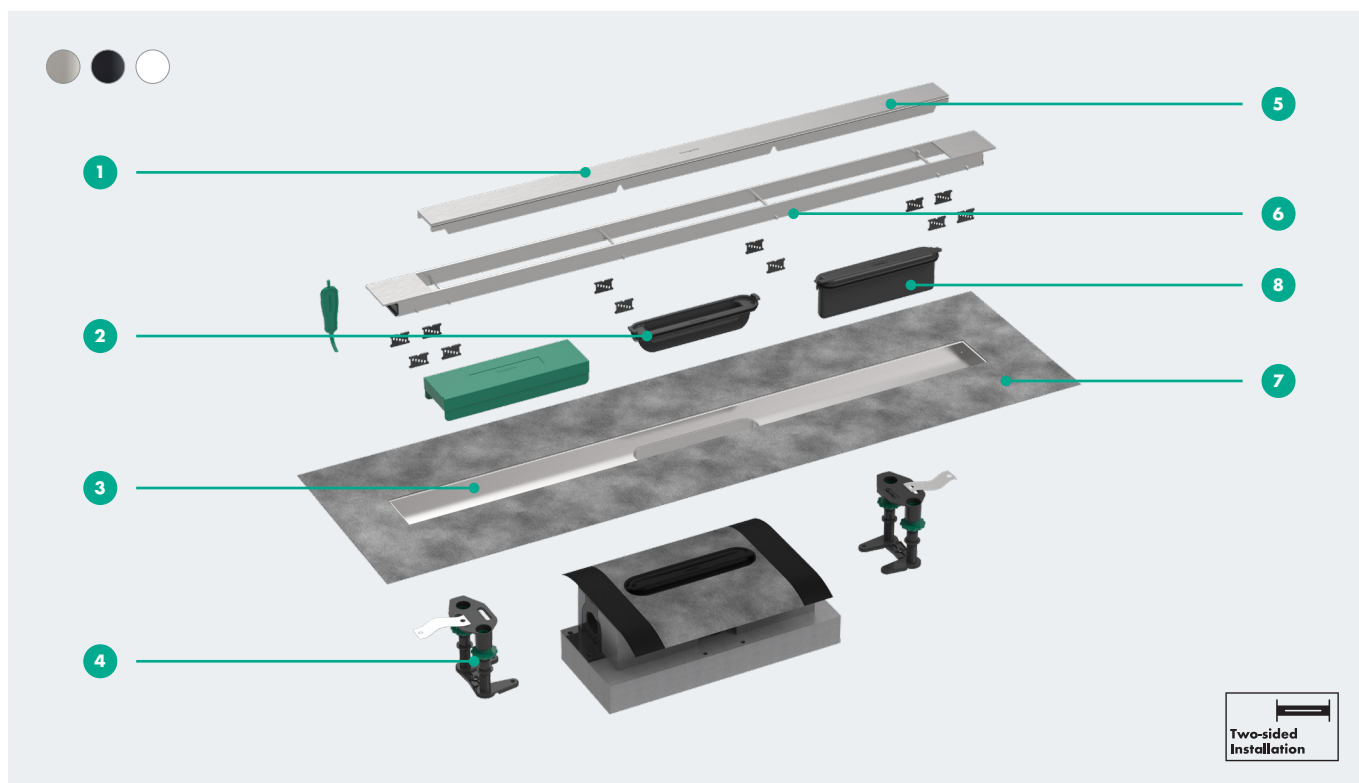
RainDrain Go standard installation



RainDrain Go flat installation

RainDrain Match Plus

Elegant design with subtle widened frame



Features

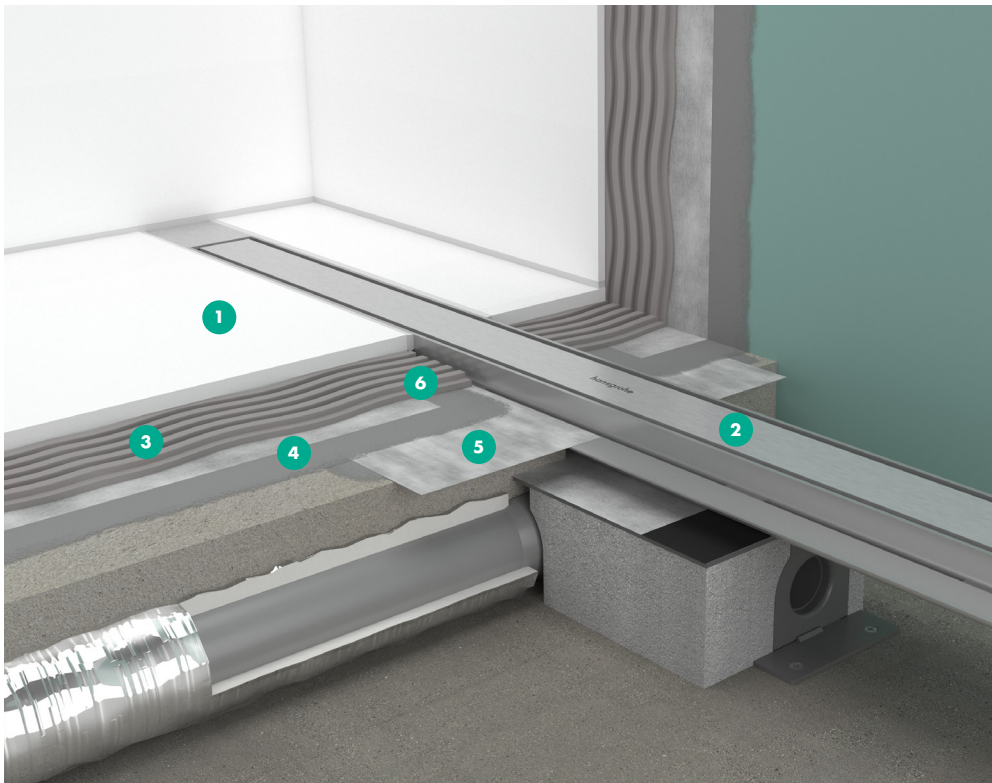
- 1 Installation: Two-sided
- 2 Dryphon technology: high drainage capacity (up to 60 l/min), minimal cleaning required
- 3 Installation set: Stainless Steel 304 (1.4301) with built-in slope
- 4 Height-adjustable feet: easy adjustment and fixing to the floor
- 5 Design grate: Brushed Stainless Steel, Matt Black and Matt White
- 6 Height-adjustable frame: easy adjustment to tile thickness 7-18 mm
- 7 Pre-assembled sealing membrane as per DIN 18534
- 8 Siphon 50 mm, siphon also available in 30 mm

Required sets





Simply scan the code and check out RainDrain Match Plus.



- 1 Tile thickness up to 18 mm
- 2 Design grate
Stainless Steel 304 (1.4301)
- 3 Tile adhesive
- 4 Waterproofing membrane
- 5 Pre-assembled sealing membrane
- 6 Secondary drainage possible

Specifications

Dimensions

800, 900, 1000,
1200 mm

Grate width

46 mm

uBox universal for flat installation

Minimum installation height: 80 mm

Drainage capacity: up to 33 l/min

Dryphon drainage capacity: up to 55 l/min

Connection

Horizontal

Vertical

Frame width

62 mm

uBox universal for standard installation

Minimum installation height: 98 mm

Drainage capacity: up to 42 l/min (as per EN 1253)

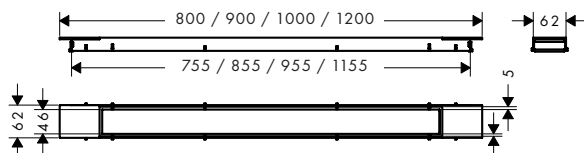
Dryphon drainage capacity: up to 60 l/min

uBox universal for vertical installation

Minimum installation height: -

Drainage capacity: up to 42 l/min (as per EN 1253)

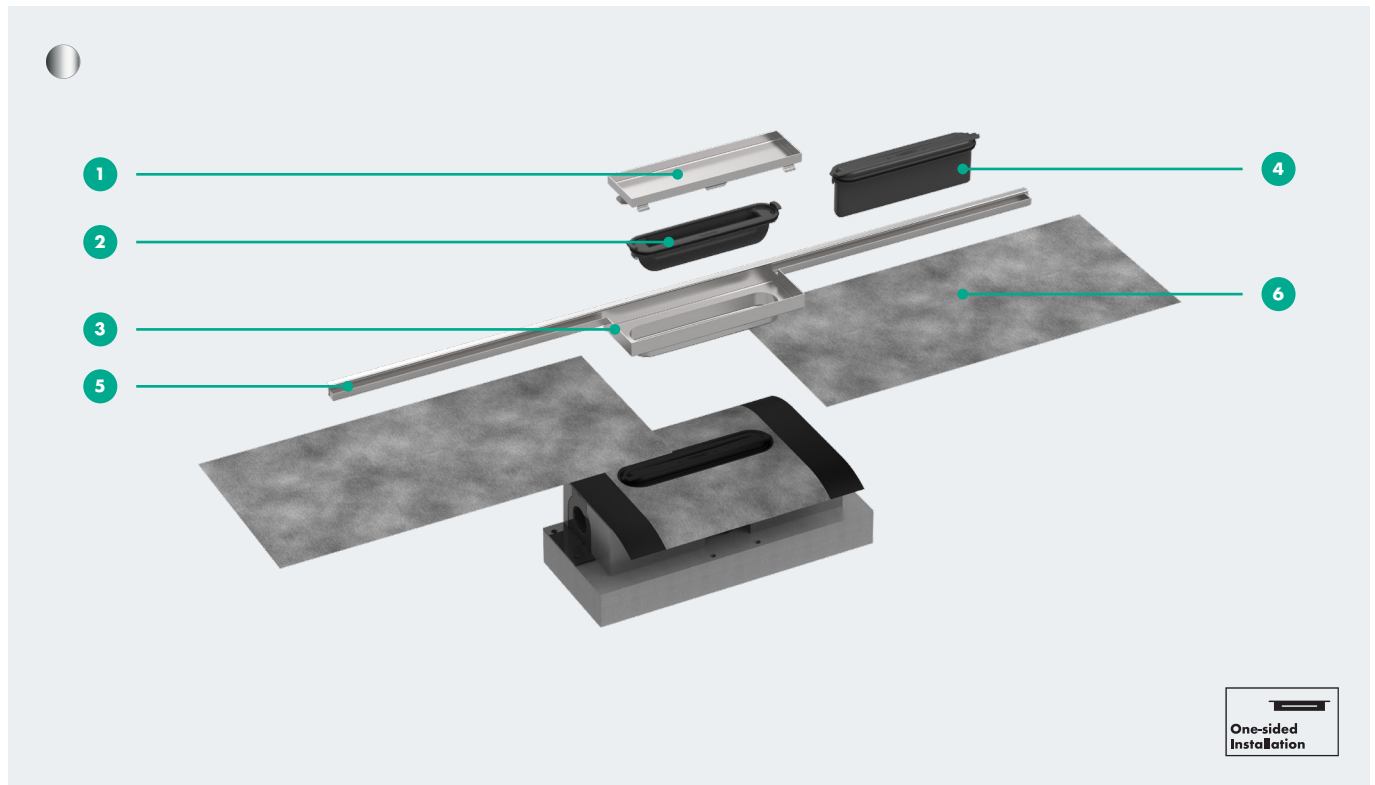
Dryphon drainage capacity: up to 60 l/min



RainDrain Match Plus

RainDrain Minimalistic

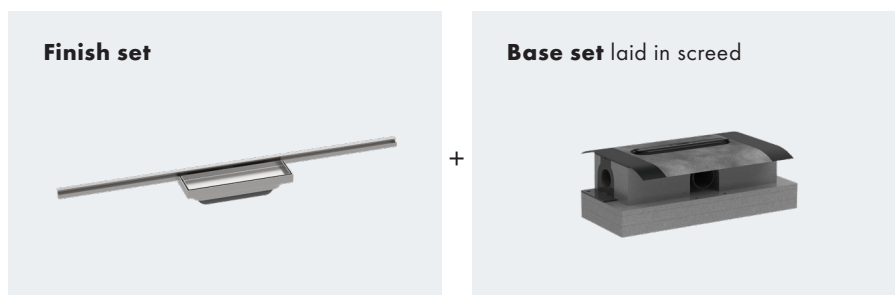
Minimal appearance



Features

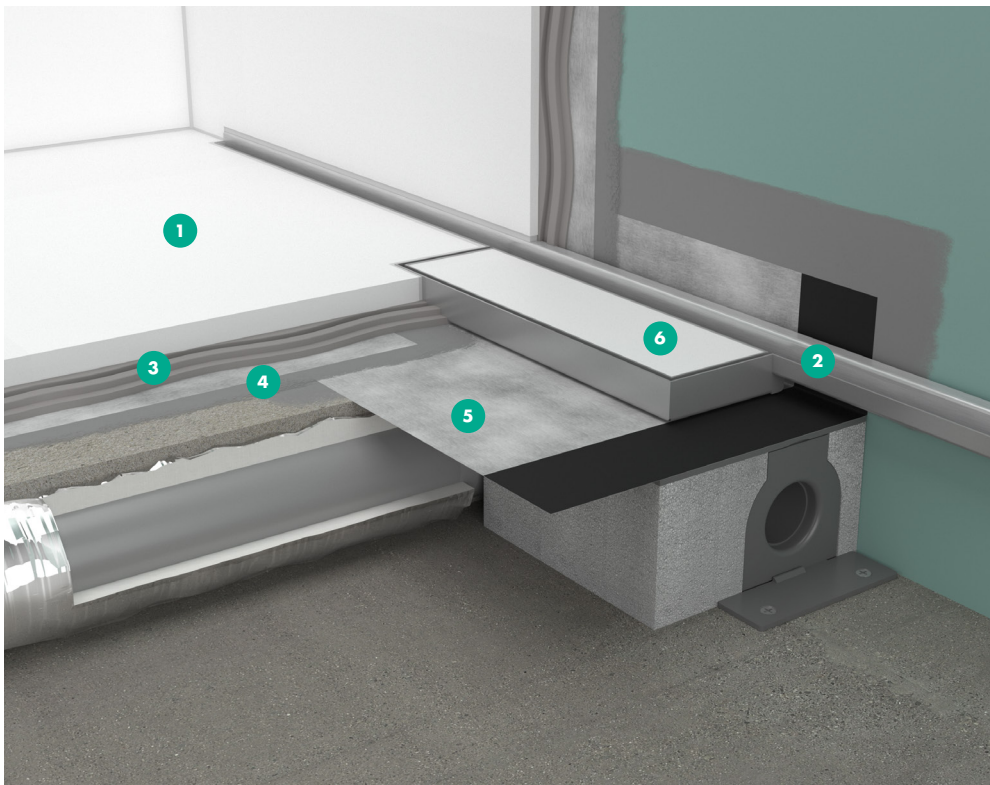
- 1 Design grate: Tileable
- 2 Dryphon technology: high drainage capacity (up to 60 l/min), minimal cleaning required
- 3 Installation set: Stainless Steel 304 (1.4301)
- 4 Siphon 50 mm, siphon also available in 30 mm
- 5 Installation: wall-mounted
- 6 Sealing membrane extension for uBox as per DIN 18534

Required sets





Simply scan the code and check out RainDrain Minimalistic.



- 1 Tile thickness
11 - 21 mm
- 2 Design grate
Stainless Steel 304
(1.4301)
- 3 Tile adhesive
- 4 Waterproofing membrane
- 5 Pre-assembled sealing membrane
- 6 Removable cover

Specifications

Dimensions
700, 800, 900,
1000, 1200 mm

Tile thickness
11 - 21 mm

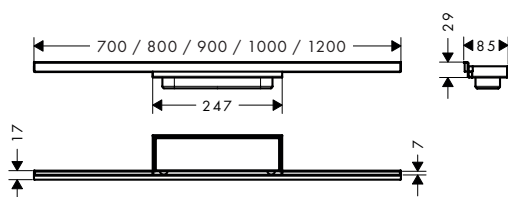
uBox universal for flat installation
Minimum installation height: 67 mm
Siphon drainage capacity: up to 28 l/min
Dryphon drainage capacity: up to 55 l/min

Connection
Horizontal
Vertical

Grate width
85 mm

uBox universal for standard installation
Minimum installation height: 85 mm
Siphon drainage capacity: up to 33 l/min
Dryphon drainage capacity: up to 60 l/min

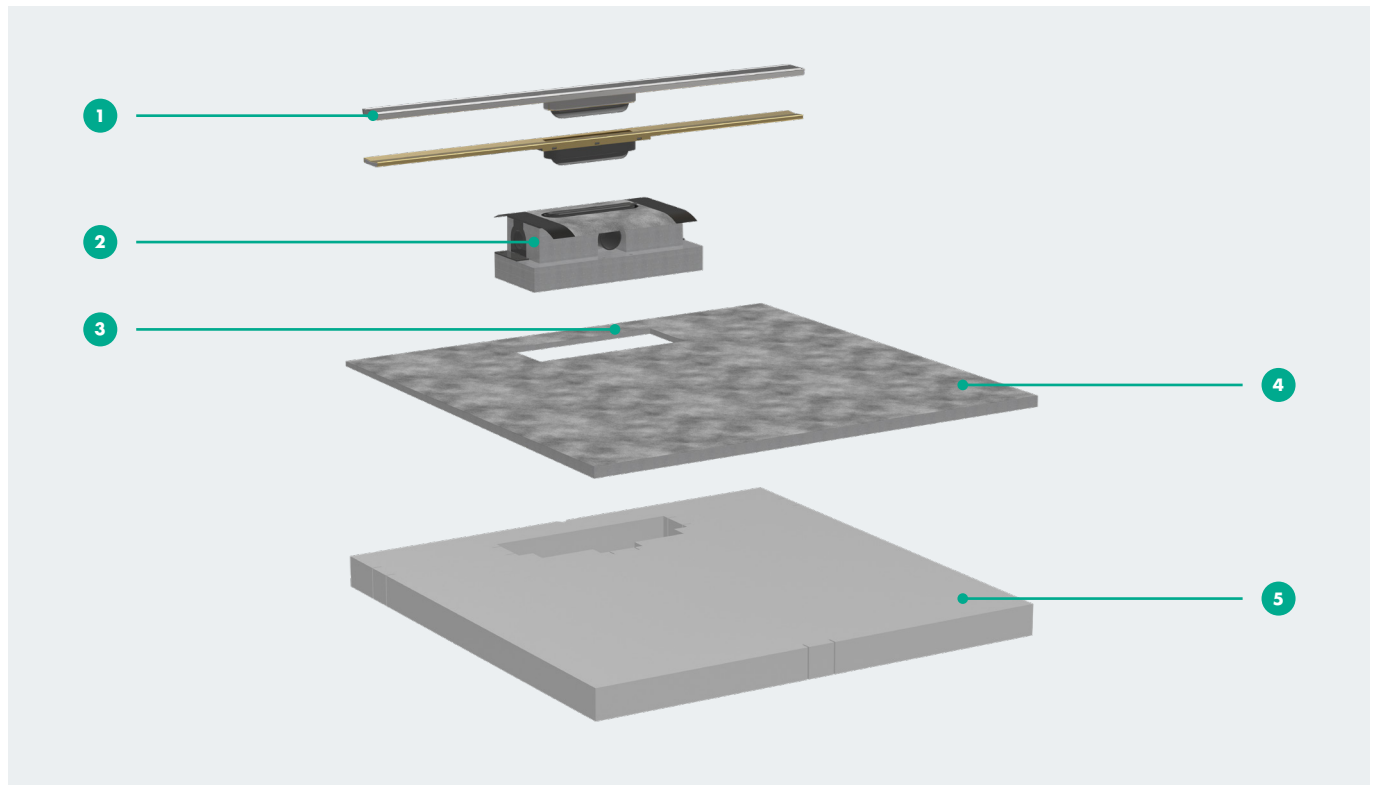
uBox universal for vertical installation
Minimum installation height: -
Siphon drainage capacity: up to 42 l/min
Dryphon drainage capacity: up to 60 l/min



RainDrain Minimalistic

RainDrain Board

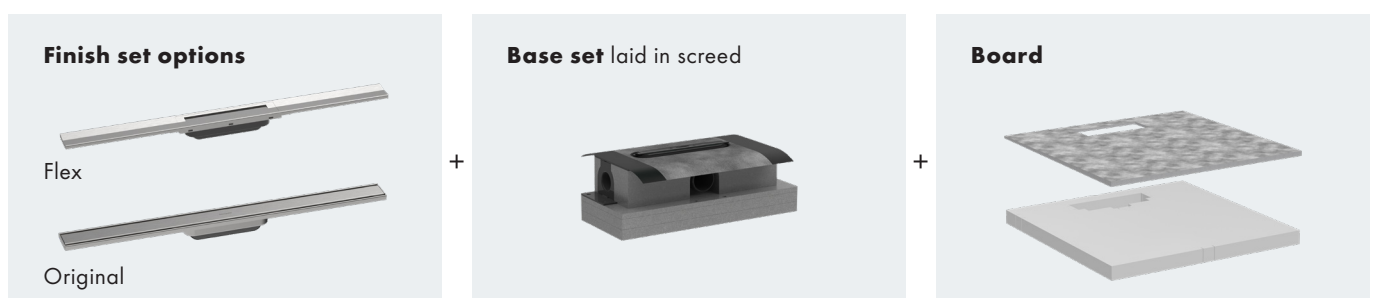
Effortless installation



Features

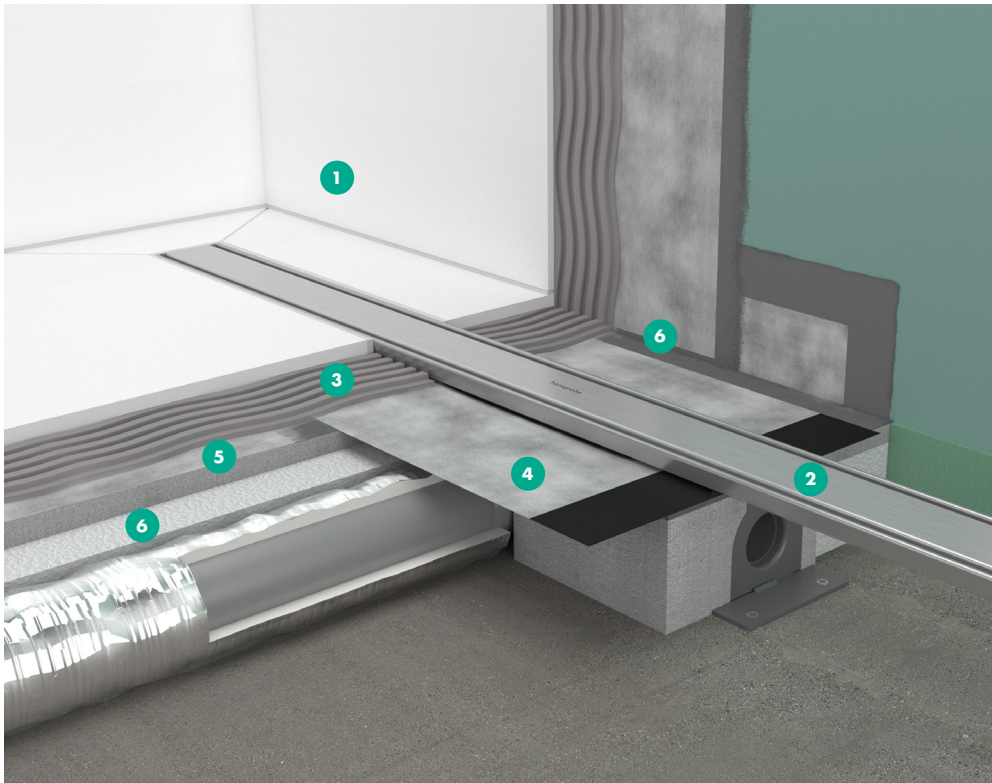
- 1 Finish set options: RainDrain Flex (floor mounted) up to 1000 mm and RainDrain Original 900 mm
- 2 uBox Standard (50 mm)
- 3 Slope board with cut-out for uBox
- 4 Pre-assembled sealing membrane attached to top side of board
- 5 Substructure element with cut-out for uBox

Required sets





Simply scan the code and check out RainDrain Board.



- 1 Tile thickness up to 18 mm
- 2 Design grate Stainless Steel 304 (1.4301)
- 3 Tile adhesive
- 4 Pre-assembled sealing membrane
- 5 Slope board
- 6 Base board

Specifications

Dimension

1000 x 1000 mm

Material

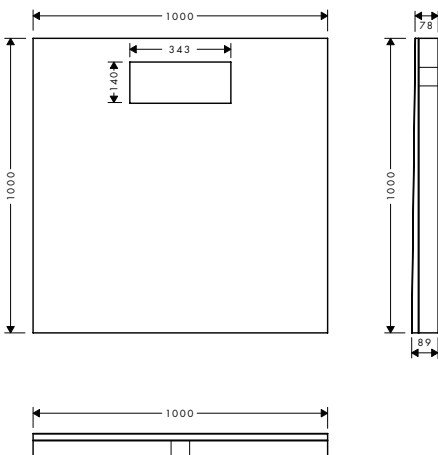
Hard foam

Slope

12 mm

Height

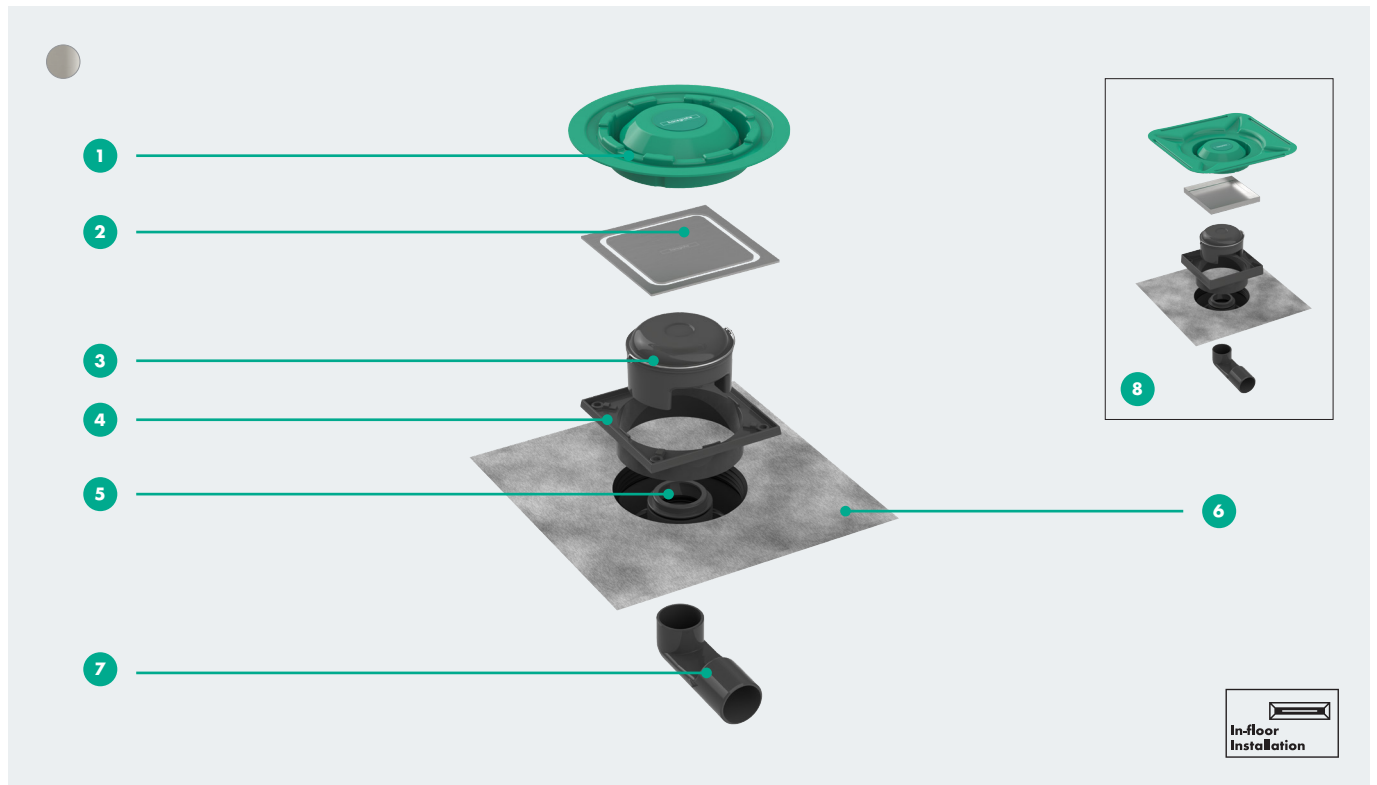
70 mm



RainDrain Board

RainDrain Spot

Maximum placement flexibility



Features

- 1 Screed cover protects from dirt during installation
- 2 Design grate: Brushed Stainless Steel
- 3 Siphon: removable for easy cleaning
- 4 Height adjustment: easy to adjust the design grate to the tile level
- 5 Siphon body: rotatable and adjustable
- 6 Pre-assembled sealing membrane as per DIN 18534
- 7 Variable connection: both horizontal and vertical outlet in one shower drain
- 8 Rotatable grate: tileable or Brushed Stainless Steel

Grate options



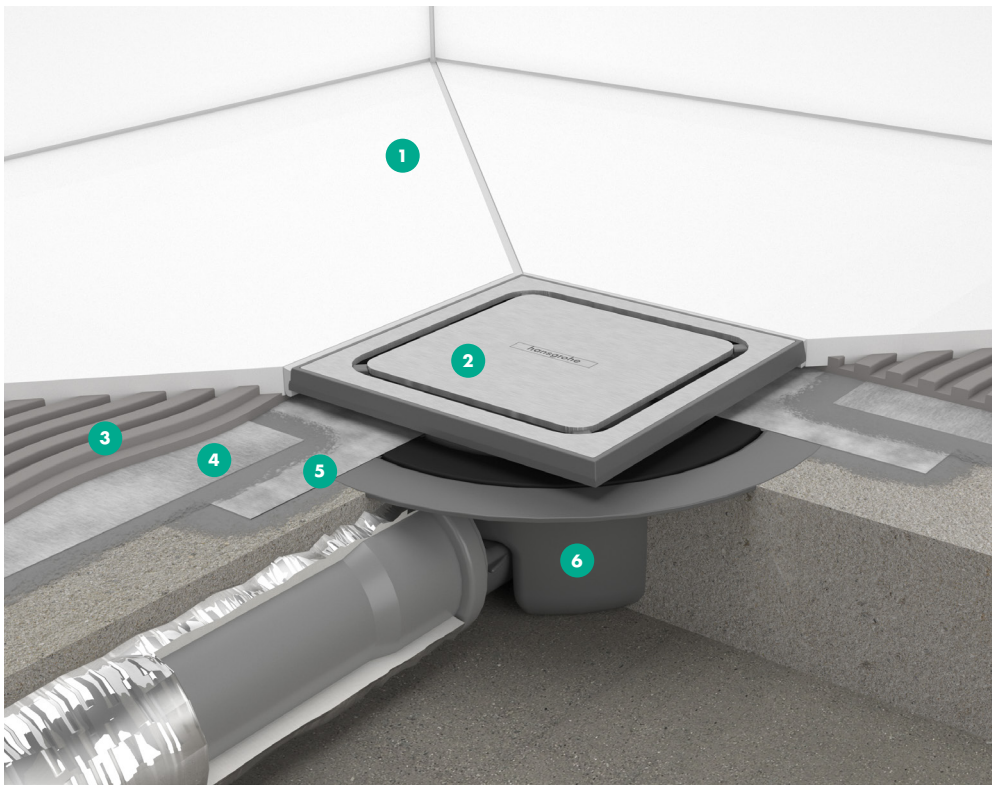
Brushed Stainless Steel



Brushed Stainless Steel
Tileable grate



Simply scan the code and check out RainDrain Spot.



- 1 Tile thickness up to 18 mm
- 2 Design grate
Stainless Steel 304 (1.4301)
- 3 Tile adhesive
- 4 Waterproofing membrane
- 5 Pre-assembled sealing membrane
- 6 Siphon body ABS

Specifications

Dimensions
150 x 150 mm

Minimum height
68 mm

Grate width
146 mm

Connection
Horizontal
Vertical

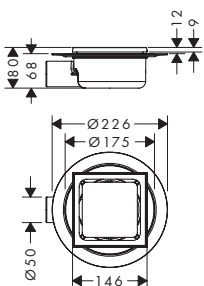
Drainage capacity
up to 35 l/min

Tile thickness
up to 18 mm

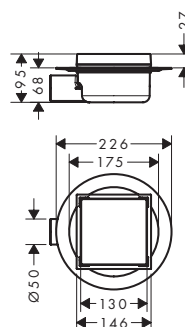
Water seal height
50 mm

Connection nominal diameter
DN50

Tile inlay depth
12 mm



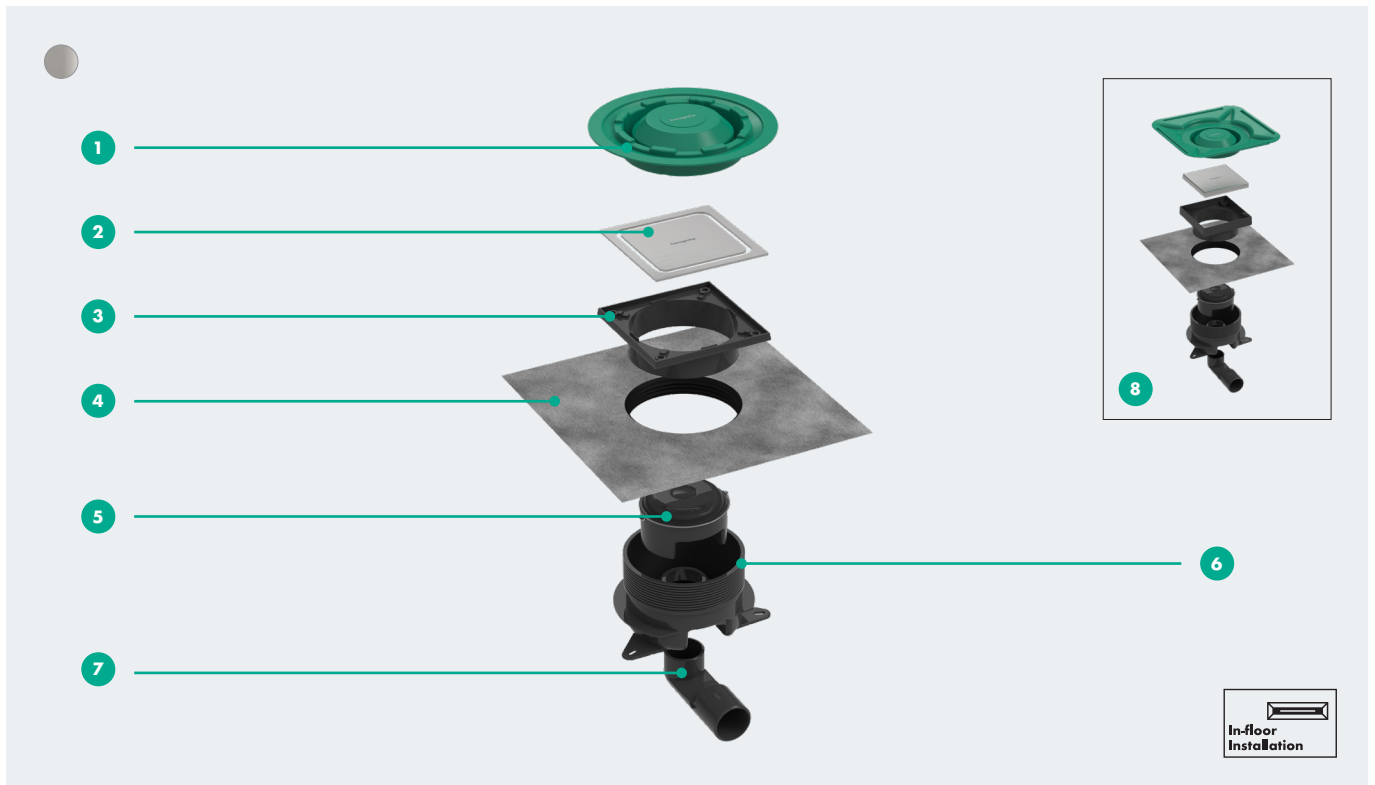
RainDrain Spot



RainDrain Spot with tileable grate

RainDrain Spot Plus

Suitable for any bathroom



Features

- 1** Screed cover protects from dirt during installation
- 2** Design grate: Brushed Stainless Steel, tileable backside
- 3** Height adjustment: easy to adjust the design grate to the tile level
- 4** Pre-assembled sealing membrane as per DIN 18534
- 5** Siphon: removable for easy cleaning
- 6** Siphon body: rotatable and adjustable
- 7** Variable connection: both horizontal and vertical outlet in one shower drain
- 8** Rotatable grate: tileable or Brushed Stainless Steel

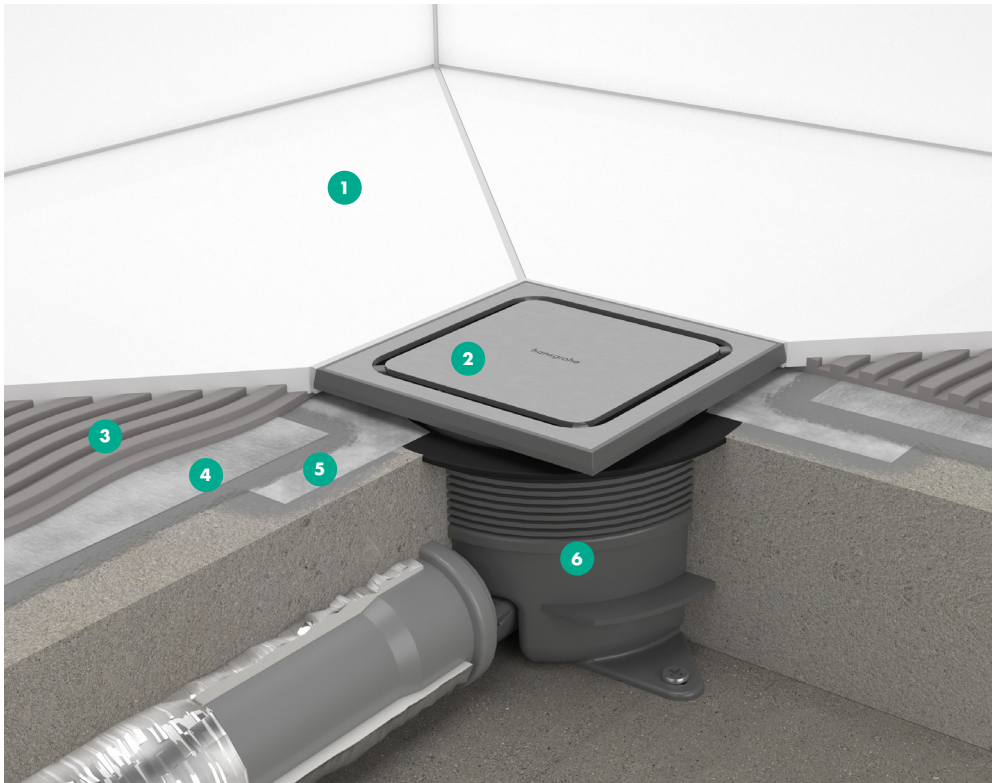
Grate options



Brushed Stainless Steel



Brushed Stainless Steel
Tileable grate



- 1 Tile thickness up to 18 mm
- 2 Design grate
Stainless Steel 304 (1.4301)
- 3 Tile adhesive
- 4 Waterproofing membrane
- 5 Pre-assembled sealing membrane
- 6 Siphon body ABS

Specifications

Dimensions
150 x 150 mm

Minimum height
80 mm

Grate width
146 mm

Connection
Horizontal
Vertical

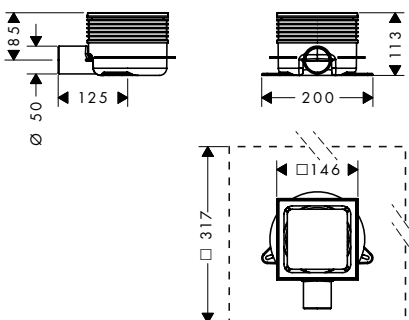
Drainage capacity
up to 35 l/min

Tile thickness
up to 18 mm

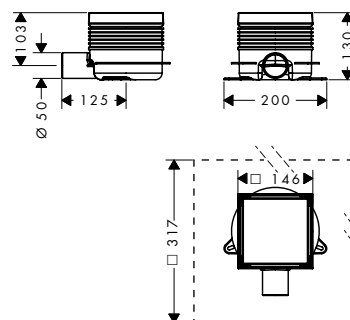
Water seal height
50 - 25 mm

Connection nominal diameter
DN40

Tile inlay depth
12 mm



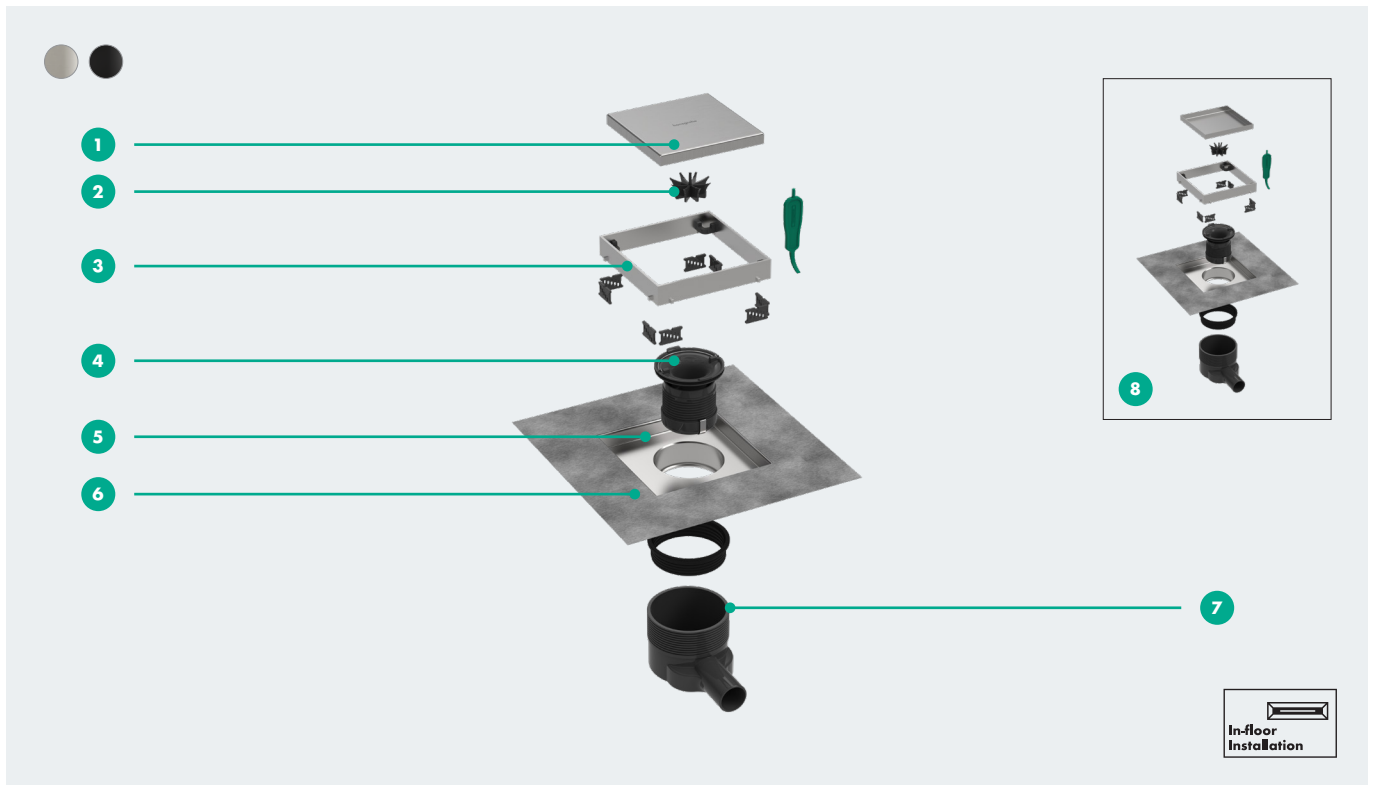
RainDrain Spot Plus



RainDrain Spot Plus with tileable grate

RainDrain Brilliance

Perfectly flush with the tile thickness

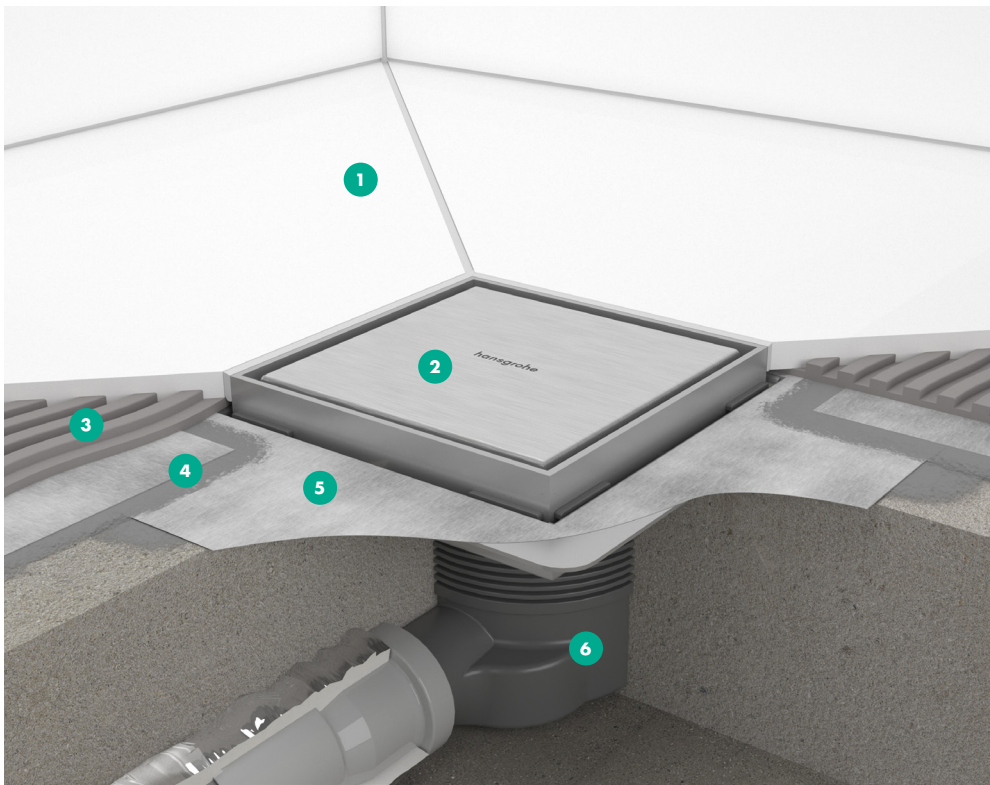


Features

- 1 Design grate: Brushed Stainless Steel, Matt Black
- 2 Hair catcher
- 3 Height-adjustable frame: easy adjustment to tile thickness 7-18 mm
- 4 Siphon: removable for easy cleaning, can be shortened (50-25 mm water seal height)
- 5 Installation set: Stainless Steel 304 (1.4301)
- 6 Pre-assembled sealing membrane as per DIN 18534
- 7 Siphon body: rotatable and adjustable. Siphon with vertical outlet is optional
- 8 Reversible grate: tileable or Brushed Stainless Steel



Simply scan the code and check out RainDrain Brilliance.



- 1 Tile thickness up to 18 mm
- 2 Design grate
Stainless Steel 304 (1.4301)
- 3 Tile adhesive
- 4 Waterproofing membrane
- 5 Pre-assembled sealing membrane
- 6 Siphon body ABS

Specifications

Dimensions

100 x 100 mm
150 x 150 mm

Minimum height

75 mm

Grate width

84 mm
134 mm

Connection

Horizontal
Vertical (optional)

Drainage capacity

up to 35 l/min

Tile thickness

up to 18 mm

Water seal height

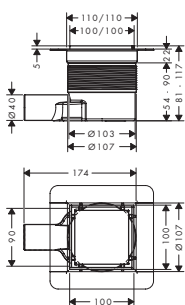
50 - 25 mm

Connection nominal diameter

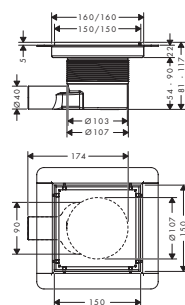
DN40

Tile inlay depth

12 mm



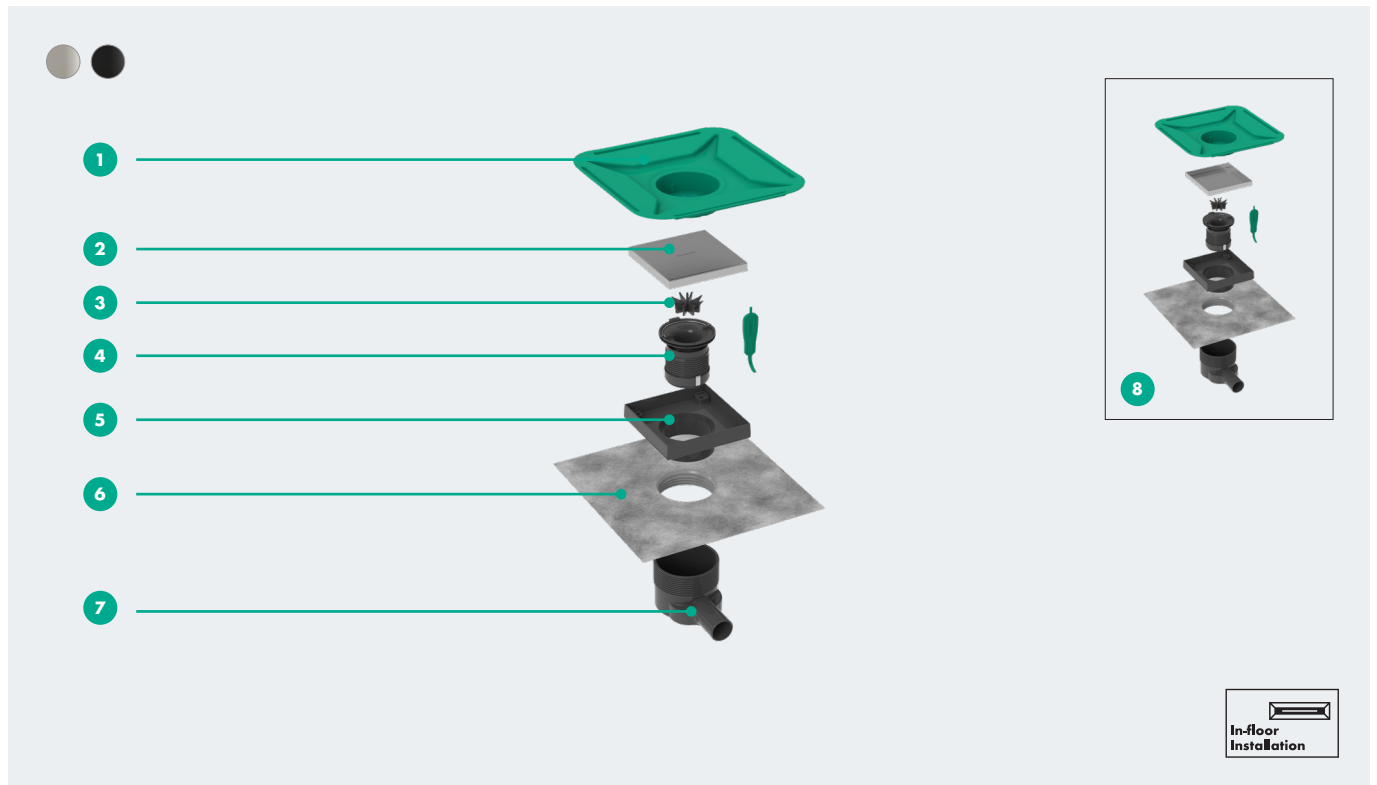
RainDrain Brilliance
100 x 100



RainDrain Brilliance
150 x 150

RainDrain Point

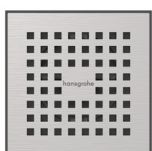
Suitable for any bathroom



Features

- 1 Screed cover protects from dirt during installation
- 2 Design grate: Brushed Stainless Steel, Matt Black
- 3 Hair catcher
- 4 Siphon: removable for easy cleaning, can be shortened (50–25 mm water seal height)
- 5 Height adjustment: easy to adjust the grate to the tile level
- 6 Pre-assembled sealing membrane as per DIN 18534
- 7 Siphon body: rotatable and adjustable. Siphon with vertical outlet is optional
- 8 Reversible grate: tileable or Brushed Stainless Steel

Grate options



Brushed Stainless Steel



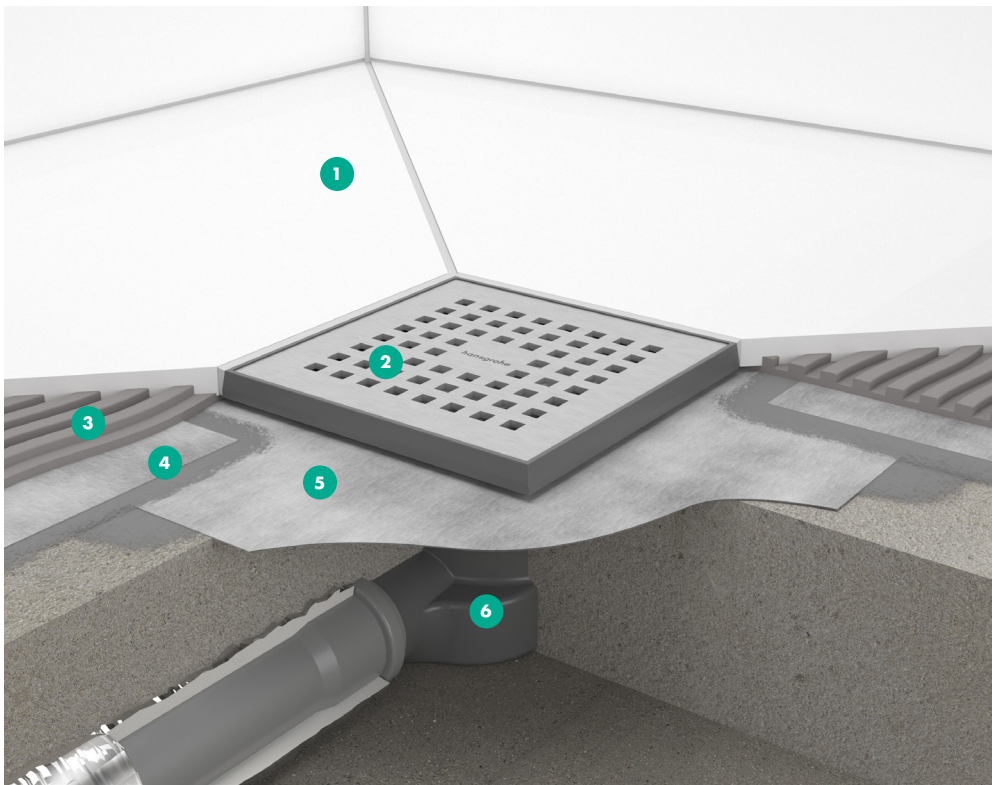
Brushed Stainless Steel
Tileable grate



Matt Black
Tileable grate



Simply scan the code and check out RainDrain Point.



- 1** Tile thickness up to 18 mm
- 2** Design grate
Stainless Steel 304 (1.4301)
- 3** Tile adhesive
- 4** Waterproofing membrane
- 5** Pre-assembled sealing membrane
- 6** Siphon body ABS

Specifications

Dimensions

100 x 100 mm
150 x 150 mm

Minimum height

56 mm

Tile thickness

up to 18 mm

Connection

Horizontal
Vertical (optional)

Drainage capacity

up to 41 l/min

Tile inlay depth

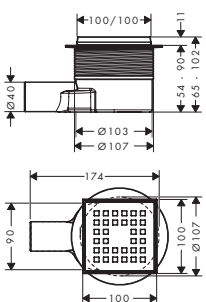
12 mm

Water seal height

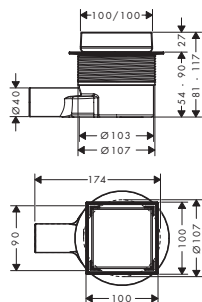
50 - 25 mm

Connection nominal diameter

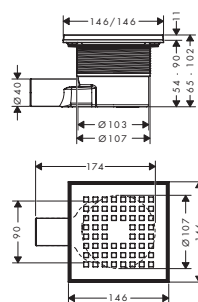
DN40



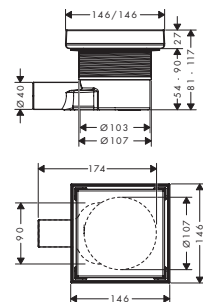
RainDrain Point
100 x 100



RainDrain Point
with tileable grate
100 x 100



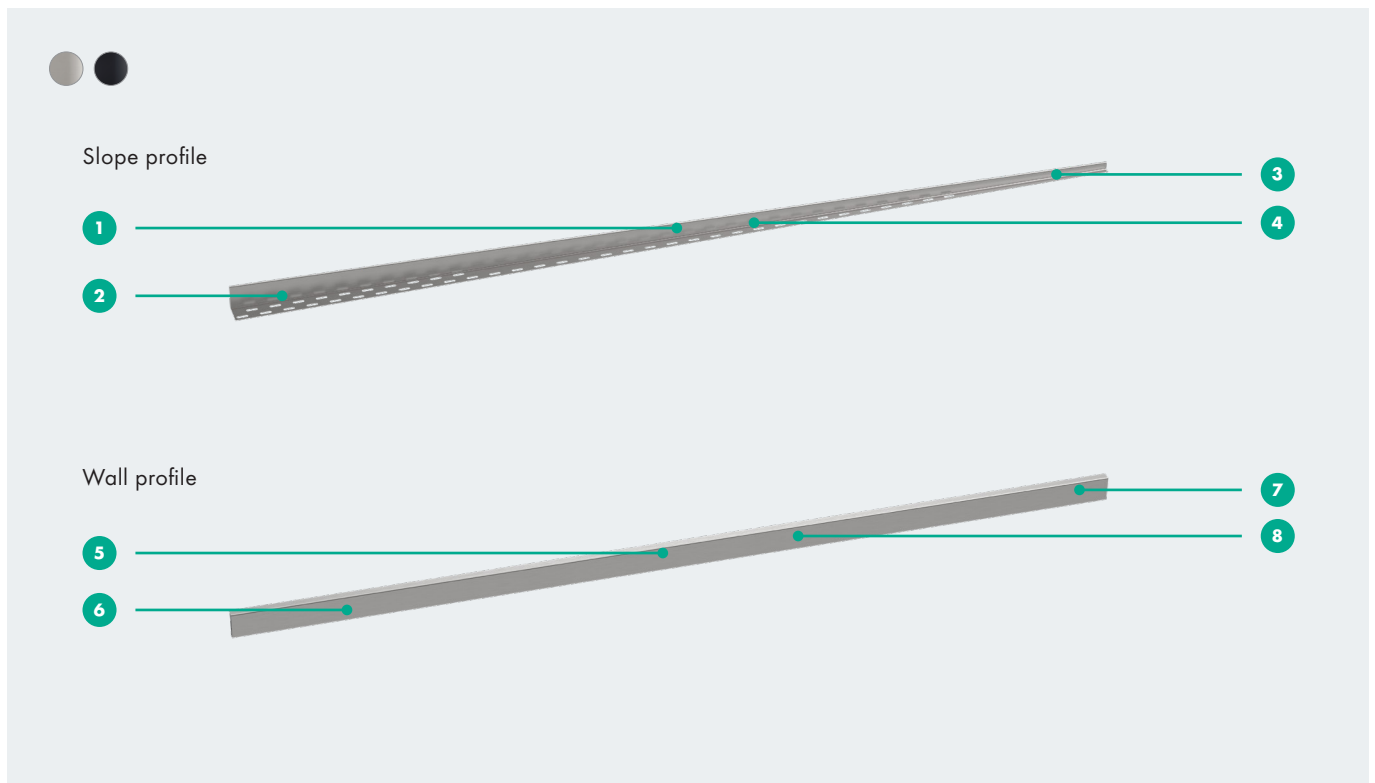
RainDrain Point
150 x 150



RainDrain Point
with tileable grate
150 x 150

RainTurn

Perfect finish of sloped tile edges in the shower

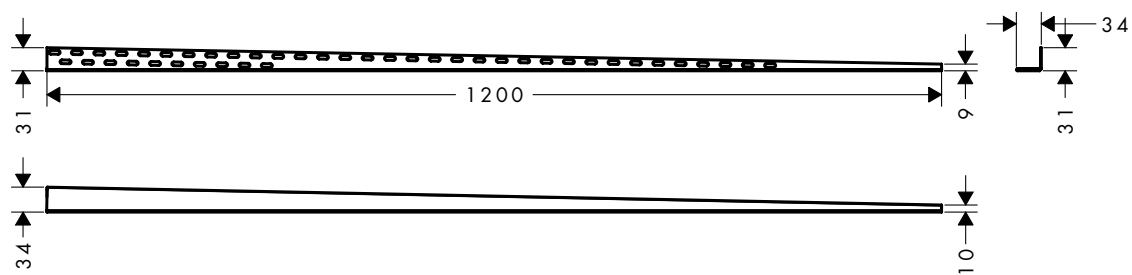


Slope profile

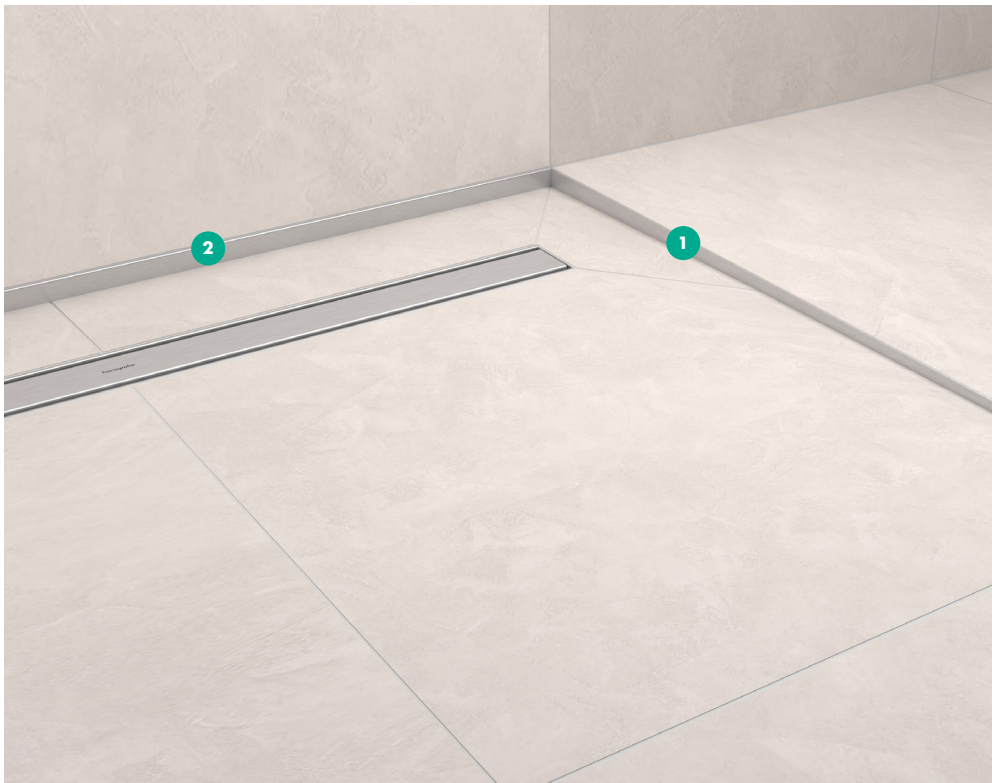
- 1 Application left or right side and adjustable
- 2 Length: 1200 mm
- 3 Maximum height: 34.0 mm
- 4 Material: Stainless Steel 304 (1.4301).
Can be shortened on site.

Wall profile

- 5 Adjustable profile
- 6 Length: 1200 mm
- 7 Maximum height: 34.0 mm
- 8 Material: Stainless Steel 304 (1.4301).
Can be shortened on site.



Slope profile



1 Slope profile

2 Wall profile

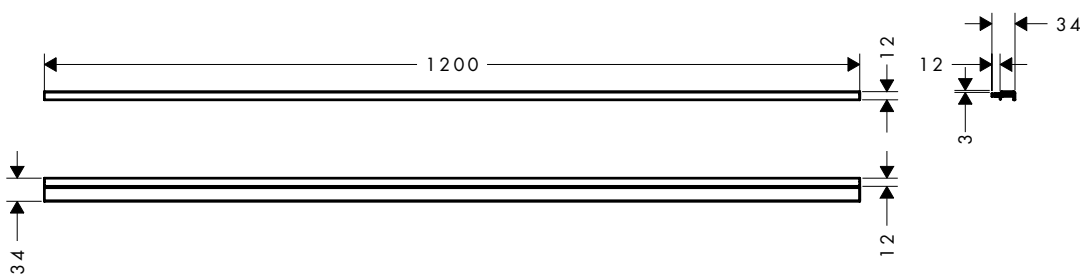
Specifications

Length
1200 mm

Slope
2%

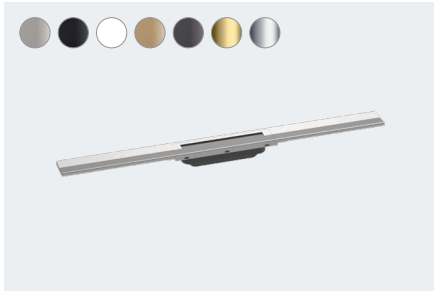
Version
Left and right

Material
Stainless Steel 304 (1.4301)



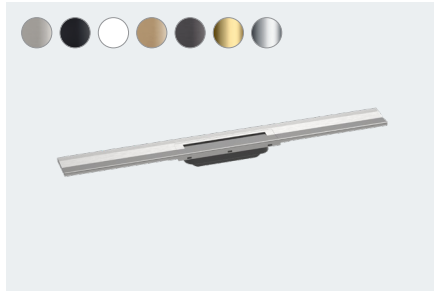
Wall profile

RainDrain



RainDrain Flex

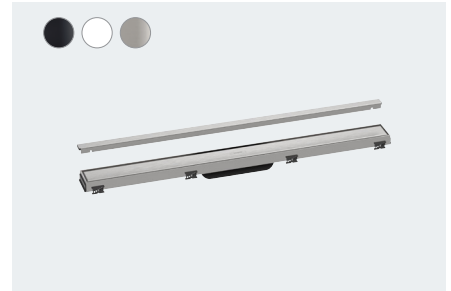
- Finish set shower drain 700 cuttable
56043, -000, -140, -340, -670, -700, -800, -990
- Finish set shower drain 800 cuttable
56044, -000, -140, -340, -670, -700, -800, -990 (not shown)
- Finish set shower drain 900 cuttable
56045, -000, -140, -340, -670, -700, -800, -990 (not shown)
- Finish set shower drain 1000 cuttable
56046, -000, -140, -340, -670, -700, -800, -990 (not shown)
- Finish set shower drain 1200 cuttable
56047, -000, -140, -340, -670, -700, -800, -990 (not shown)
- Finish set shower drain 1600 cuttable
56261, -800 (not shown)



RainDrain Flex

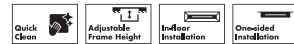
- Finish set shower drain 700 cuttable for wall mounting
56050, -000, -140, -340, -670, -700, -800, -990
- Finish set shower drain 800 cuttable for wall mounting
56051, -000, -140, -340, -670, -700, -800, -990 (not shown)
- Finish set shower drain 900 cuttable for wall mounting
56052, -000, -140, -340, -670, -700, -800, -990 (not shown)
- Finish set shower drain 1000 cuttable for wall mounting
56053, -000, -140, -340, -670, -700, -800, -990 (not shown)
- Finish set shower drain 1200 cuttable for wall mounting
56054, -000, -140, -340, -670, -700, -800, -990 (not shown)

- Finish set shower drain 1600 cuttable for wall mounting
56054, -800 (not shown)



RainDrain Match

- Finish set shower drain 600 with height adjustable frame
56036, -670, -700, -800
- Finish set shower drain 700 with height adjustable frame
56037, -670, -700, -800 (not shown)
- Finish set shower drain 800 with height adjustable frame
56038, -670, -700, -800 (not shown)
- Finish set shower drain 900 with height adjustable frame
56040, -670, -700, -800 (not shown)
- Finish set shower drain 1000 with height adjustable frame
56041, -670, -700, -800 (not shown)
- Finish set shower drain 1200 with height adjustable frame
56042, -670, -700, -800 (not shown)



RainDrain Rock

- Finish set shower drain 600 cut to size and tileable
56029, -000
- Finish set shower drain 700 cut to size and tileable
56030, -000 (not shown)
- Finish set shower drain 800 cut to size and tileable
56031, -000 (not shown)
- Finish set shower drain 900 cut to size and tileable
56032, -000 (not shown)
- Finish set shower drain 1000 cut to size and tileable
56033, -000 (not shown)
- Finish set shower drain 1200 cut to size and tileable
56034, -000 (not shown)



RainDrain Original

- Finish set shower drain 600
56196, -800
- Finish set shower drain 700
56197, -800 (not shown)
- Finish set shower drain 800
56198, -800 (not shown)
- Finish set shower drain 900
56199, -800 (not shown)
- Finish set shower drain 1000
56200, -800 (not shown)
- Finish set shower drain 1200
56201, -800 (not shown)



RainDrain Compact standard installation

- Complete set shower drain 600
56174, # 56175 (tile), -800
- Complete set shower drain 700
56176, # 56177 (tile), -800 (not shown)
- Complete set shower drain 800
56178, # 56179 (tile), -800 (not shown)
- Complete set shower drain 900
56180, # 56181 (tile), -800 (not shown)
- Complete set shower drain 1000
56182, # 56183 (tile), -800 (not shown)
- Complete set shower drain 1200
56184, # 56185 (tile), -800 (not shown)





RainDrain Compact flat installation

Complete set shower drain 600
56162, # 56163 (tile), -800

Complete set shower drain 700
56164, # 56165 (tile), -800 (not shown)

Complete set shower drain 800
56166, # 56167 (tile), -800 (not shown)

Complete set shower drain 900
56168, # 56169 (tile), -800 (not shown)

Complete set shower drain 1000
56170, # 56171 (tile), -800 (not shown)

Complete set shower drain 1200
56172, # 56173 (tile), -800 (not shown)



RainDrain Allround

Complete set shower drain 700
for standard/flat installation
56186, -800

Complete set shower drain 800
for standard/flat installation
56187, -800 (not shown)

Complete set shower drain 900
for standard/flat installation
56188, -800 (not shown)

Complete set shower drain 1000
for standard/flat installation
56189, -800 (not shown)

Complete set shower drain 1200
for standard/flat installation
56190, -800 (not shown)



RainDrain Go

Complete set shower drain 500
tileable rear cover for standard/flat installation
56270, -800, -670

Complete set shower drain 600
tileable rear cover standard/flat installation
56271, -800, -670 (not shown)

Complete set shower drain 700
tileable rear cover standard/flat installation
56272, -800, -670 (not shown)

Complete set shower drain 800
tileable rear cover standard/flat installation
56273, -800, -670 (not shown)

Complete set shower drain 900
tileable rear cover standard/flat installation
56274, -800, -670 (not shown)

Complete set shower drain 1000
tileable rear cover standard/flat installation
56275, -800, -670 (not shown)

Complete set shower drain 1200
tileable rear cover standard/flat installation
56276, -800, -670 (not shown)



RainDrain Match Plus

Finish set shower drain 800
with height adjustable frame
56215, -800, -670, -700

Finish set shower drain 900
with height adjustable frame
56216, -800, -670, -700 (not shown)

Finish set shower drain 1000
with height adjustable frame
56217, -800, -670, -700 (not shown)

Finish set shower drain 1200
with height adjustable frame
56218, -800, -670, -700 (not shown)



RainDrain Minimalistic

Finish set shower drain 700
56219, -000

Finish set shower drain 800
56220, -000 (not shown)

Finish set shower drain 900
56221, -000 (not shown)

Finish set shower drain 1000
56222, -000 (not shown)

Finish set shower drain 1200
56223, -000 (not shown)



RainDrain



Complete set for standard installation

Complete set for standard installation – 600 for shower drains finish sets # 56022180

Complete set for standard installation – 700 for shower drains finish sets # 56023180 (not shown)

Complete set for standard installation – 800 for shower drains finish sets # 56024180 (not shown)

Complete set for standard installation – 900 for shower drains finish sets # 56025180 (not shown)

Complete set for standard installation – 1000 for shower drains finish sets # 56026180 (not shown)

Complete set for standard installation – 1200 for shower drains finish sets # 56027180 (not shown)



Complete set for flat installation

Complete set for flat installation – 600 for shower drains finish sets # 56016180

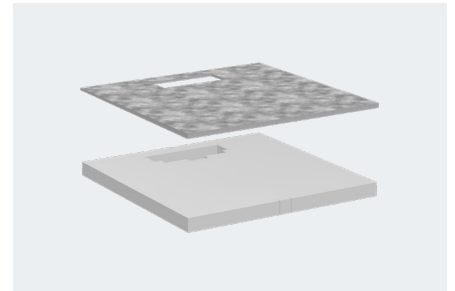
Complete set for flat installation – 700 for shower drains finish sets # 56017180 (not shown)

Complete set for flat installation – 800 for shower drains finish sets # 56018180 (not shown)

Complete set for flat installation – 900 for shower drains finish sets # 56019180 (not shown)

Complete set for flat installation – 1000 for shower drains finish sets # 56020180 (not shown)

Complete set for flat installation – 1200 for shower drains finish sets # 56021180 (not shown)



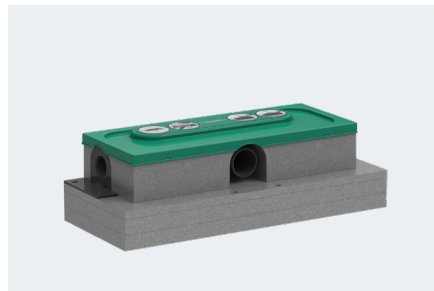
RainDrain Board

Tileable shower element with installation set 1000/1000 # 56256, -000



uBox universal for standard installation

Base set for finish sets for standard installation # 01001180



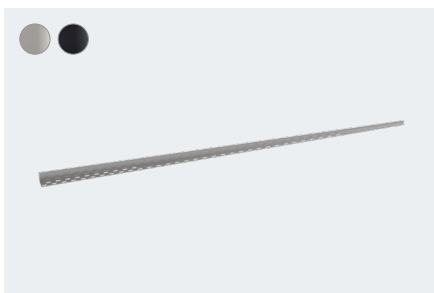
uBox universal for flat installation

Base set for finish sets for flat installation # 01000180



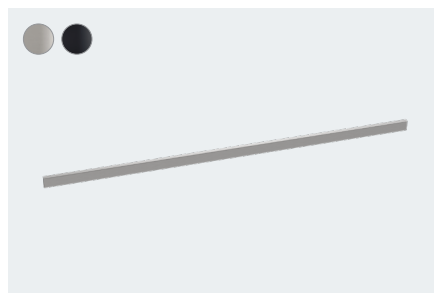
uBox universal for vertical installation

Base set for finish sets for vertical installation # 01002180



RainTurn Slope profile

With left or right side connection, adjustable 1200 # 56158, -000, -670



RainTurn Wall profile

adjustable 1200 # 56161, -000, -670





RainDrain Spot

Complete set 150/150 point drain and installation set
56055, -800

Complete set 150/150 point drain tileable rear cover
and installation set
56112, -800 (not shown)



RainDrain Spot Plus

Complete set point drain 150/150 with height
adjustable frame
56225, -800

Complete set point drain 150/150 with height
adjustable frame and tileable rear cover
56226, -800 (not shown)



RainDrain Brilliance

Complete set point drain 100/100 tileable rear cover
56250, -800, -670

Complete set point drain 150/150 tileable rear cover
56251, -800, -670 (not shown)



RainDrain Point

Complete set point drain 100/100
56246, -800

Complete set point drain 150/150
56248, -800 (not shown)



RainDrain Point

Complete set point drain 100/100 tileable rear cover
56247, -800, -670

Complete set point drain 150/150 tileable rear cover
and installation set
56249, -800, -670 (not shown)



Technologies



Height-adjustable tiled frame.



High drainage capacity.



Easy to clean the siphon.



Simple and fast to clean and perform maintenance on the surfaces.



Waterproof basic set and pre-assembled seal to avoid water damage.



Installation anywhere in the space as a design highlight.



Wall-mounted installation for convenient use of space.



Installation fitted in the installation between two walls.



Minimalist installation against the back wall and side walls.



Shower channel can be cut to any length so that it is perfectly adapted to the installation environment.

Hansgrohe N.V. · Riverside Business Park · Internationalelaan 55 K · B-1070 Anderlecht
Tel. +32 2 5430140 · info@hansgrohe.be · www.hansgrohe.be

Please note that we can only present a selection of our products in this technical manual.
You can find our entire range at [hansgrohe.com](https://www.hansgrohe.com)



Find hansgrohe online and on social media.

en-EX-HG Technical discussion 2024 novelties · Subject to technical alterations and colour differences due to the printing process.

