

hansgrohe



Sales manual 2022

hansgrohe kitchen range

[hansgrohe.com](https://www.hansgrohe.com)

Sales & Service

Whether by phone, email or fax, the hansgrohe customer advice team is available for both technical and commercial enquiries.

Monday - Thursday: 8am - 4pm Friday: 8am - 3pm

Phone +49 7836 51-1984 Fax +49 7836 51-1878
service@hansgrohe.com

Professional website

We provide additional information and services on our partner website, including delivery information, online spare parts catalogue, price lists, planning data and marketing tools. You can access it at any time, whether you're out and about or with a customer.

pro.hansgrohe.com

Planning data

The correct CAD data can be downloaded online from the individual product pages. These are available as 2D and 3D versions in DWG format. You can also download cut-out data for the kitchen sinks as a ZIP file (2D, PDF and DXF). All of our products and their planning data are stored in the planning software houses Winner Design, Plantek, CARAT and KPS designstudio.

pro.hansgrohe.com

Expert service

Our service specialists are trained experts and technicians and can advise you on technical issues. If something cannot be clarified by telephone or over email, you can also arrange a visit from a specialist on site.

Monday - Friday: 7am - 6pm

Phone +49 7836 51-1282 Fax +49 7836 51-1440
info@hansgrohe.com

Online spare parts catalog

You can find spare or specialist parts easily in the online spare parts catalog. You will also find additional help, such as dimensional drawings, links to drawings and service parts, watch lists and downloading assembly and service instructions.

spares.hansgrohe.com

Hansgrohe Aquademie Schiltach The Water Studio Hamburg

Get advice from the experts. In the Stilwerk in Hamburg and in the Aquademie in Schiltach, you can test out our products and get advice from staff.

pro.hansgrohe.com/service/showrooms

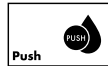
Technologies



Simply regulates the water flow at the touch of a button: a convenient way to turn the shower on and off or switch between spray modes.



Still, medium or sparkling at the push of a button.



Filtered or mineralised water at the push of a button.



Defines the height, side clearance and – with the pull-out function – the length of the space around the mixer.



The hose extends quietly and smoothly from the base cabinet by up to 76 cm.



Wipe limescale deposits away easily by rubbing your finger over the flexible silicone nubs.



Reduces the flow rate to save water and energy. For long-lasting pleasure.



Combines water with a generous amount of air. For a soft, splashfree water spray and rich, full shower drops.



Cold water starts to flow when it is opened in the basic setting. You consume hot water only when you need it.



The pull-out spray or the pull-out spout extends your working area at the sink.



The kitchen tap can easily be removed its holder and lowered, so that a window can be opened inwards.



Low pressure fitting for cold water pipes with boiler/heat storage.



Separate water supply for treated and untreated water.



Use a preset volume by double-clicking.



Control your kitchen tap with the hansgrohe Home app.

Spray modes



Crystal clear and economical, without added air. Ideal for quickly filling large containers, and preventing splashing.



Ventilated water spray thanks to AirPower technology. Fuller, lighter and softer drops for a gentler water spray.



Economical and cleansing. Also perfect for fast spraying at the sink.



The soft, flat spray is splash-free, making it highly efficient at saving water.

Sink installation options



Surface-mounted installation: The sink is inserted from above into a cut-out in the worktop.



Flush-mounted installation: The sink is installed flush with the worktop to create a smooth transition between worktop and sink.



Under-mounted installation: The sink is mounted below the cut-out and is therefore almost invisible, making the kitchen look more spacious.

Sink surfaces

Kitchen tap finishes

When choosing the surface, each order number (#) has 8 digits, for example 28500, - 000 = chrome



-170
Graphite black



-290
Stone grey



-380
Concrete grey



-800
Stainless steel



-000
Chrome



-340
Brushed Black
Chrome



-670
Matt Black



-800
Stainless Steel

The hansgrohe brand

4	Editorial	12	Quality
6	Company	13	Service
8	Innovation	14	Responsibility
10	Design	15	Sports sponsorship

Spray types & Technologies

16	Spray types
17	Technologies
22	FinishPlus
23	Sink installation types

Sinks

26	Stainless steel S71
36	Stainless steel S41
42	SilicaTec S51

Kitchen mixer

52	Aquno Select M81	108	Zesis M33 NEW
56	Metris M71	114	Logis M31
70	Talis M51	120	Logis M32
80	Talis M52	124	Vernis M35 NEW
84	Talis M54		
92	Focus M41		
98	Focus M42		

Water systems

130	Aqittura M91 NEW
141	Filters & Accessories NEW

Sink combi units

146	Stainless steel C71
150	SilicaTec C51

Accessories & Equipment

154	Accessories
155	Equipment
158	Drain fittings

Beautiful moments with water

The new meaning of home

Over the past year, many of us have come to realise the importance of home providing a place of relaxation and retreat. As a company, we know we are providing something truly fundamental to our customers: a home filled with beauty and quality, a place of escape from the outside world. Whatever happens, we are – and always will be – by your side.

Innovations to bring your business to life

This year, discover a new range of products to enhance your kitchen. Under our guiding principles **of innovation, design, quality, and responsibility**, we have developed exciting new additions for your home. There's a product to answer every need, and a solution for every lifestyle. Aqittura M91 will help you in your quest for sustainability, providing filtered, mineralised, carbonised and chilled water, so you can forgo bottled water altogether. Zesis M33 is a minimalist kitchen tap, offering outstanding features and excellent value. Finally, the Aquino Select M81 is a sleek all-in-one tap concept, bringing a brand new workflow to the kitchen.

Designed for people

hansgrohe is a brand for life. Whether you are looking for a moment of calm or refreshment, every product we make is designed to make life easier. Our products are not one-off ideas but comprehensive solutions, destined to become integral to everyday life. It's this that defines our brand: our focus on people.





hansgrohe – our past informs our future

hansgrohe is a company steeped in tradition. It was founded by Hans Grohe in 1901, with a small metalwork shop in Schiltach, in the heart of the Black Forest. It's where our Innovation Centre and corporate headquarters are still found today.

The hansgrohe brand has an international reputation for excellence, thanks largely to the commitment of its people. Each employee is passionate about water, always striving to improve on perfection. However, it's our expertise which really set us apart as a company.

We take great pride in creating the technologies of the future for our customers. Our kitchen innovations are designed to create the perfect workflow, providing complete freedom of movement when you are cooking or washing up. Whether it's pull-out taps, changing sprays at the push of a button, smooth hose routing, high-quality surface designs or sustainable tap fittings, these and other innovations are what help us continue the success of the hansgrohe brand.



In 1901, Hans Grohe founded his metalworks business. He was a visionary, recognising the changing role of the bathroom in the home – something which was still a new feature to most at the time. Years later, his descendants applied that same passion for innovation to the kitchen.



ALLEGROH
The first single lever kitchen tap with pull-out spout.



Select
The world's first kitchen tap with Select function.



Operating concept
With a rocker lever positioned at the front edge of the sink, the kitchen tap can be conveniently operated without reaching across the flow of water.



sBox
The sBox increases your working area at the sink.

Kitchen milestones



FinishPlus
High-quality surfaces offer a variety of design options.



SatinFlow
Innovative, flat SatinFlow spray for a state-of-the-art kitchen workflow.



Aqittura M91
Innovative water treatment for a natural balance.

Innovation – driving our business and yours

Whether in a new build or renovation, clever products and state-of-the-art technologies will keep you ahead of the competition. Hansgrohe SE registers hundreds of new designs, patents and brands every year, holding 15,000 patents to date.

It's the reason we're considered pioneers in the industry. We combine top technical performance with a focus on the needs and enjoyment of the customer. With hansgrohe, you have technological innovation on your side.



Welcome to the ComfortZone

Whether high, swivelling or extendable, with ComfortZone you have more freedom of movement and space. The ability to swivel the spout is especially practical, making switching between different sinks or washing different items easier than ever.



Your workflow made easy

For hansgrohe taps with pull-out functionality, the innovative sBox keeps things neat around your sink. The hose slides smoothly and quietly back into the sBox, which is inconspicuously installed under the sink.

This allows the tap to be extended up to 76 cm, extending the working radius of your sink beyond the standard 50 cm, and allowing for easy filling of large containers and plant watering. It's efficient multitasking at its best.



Technologies that inspire

The best products are the ones that enrich people's lives - and sometimes, it is the smallest technologies that make the difference. There's Select technology - just one button that brings a whole new ease of use to your home. Or QuickClean, a clever and time-saving anti-limescale solution.

hansgrohe technologies make your kitchen more enjoyable to use and easier to clean.

Design – collaborating for excellence

Elegant functionality appeals to both the heart and mind, and it's something we specialise in. Our products are consistently award-winning, outlasting fads and instead providing long-lasting value, whether they are found in the home or in a world famous hotel.

With over 30 years of collaboration with Phoenix Design, hansgrohe is a leader within the industry, with more than 600 awards collected for our design achievements.

More than
600 awards





Alef Residences
Dubai, United Arab Emirates
Products: hansgrohe Metris M71
Copyright: Alef Residences



Developers, investors, architects and planners around the world spearhead the most ambitious of projects, ensuring that intelligent and elegant water solutions are always in demand. Our shower and bathroom collections are well known as the very embodiment of design excellence. That's why you'll find them in world class hotels, exclusive sports clubs, royal castles and luxury yachts. You can find more inspiring examples at pro.hansgrohe.com/your-selling-points/references

At home all over
the world



Yoo Cumbayá
Cumbayá, Ecuador
Products: hansgrohe Focus M41
Copyright: Yoo Cumbayá



Quality – the highest standards for the longest product life

Install a hansgrohe product, and you know it will be enjoyed for years to come. Offering customers the highest quality at all times is a fundamental part of our philosophy. We have been manufacturing bathroom and kitchen products for over 120 years, and we are proud of our intensive quality control processes, practiced around the world.

Our reliability goes one step further: we offer our end users a five year* manufacturer's guarantee on our products.

This manufacturer's guarantee goes far beyond statutory requirements. With this, our sales partners enjoy yet another advantage when using hansgrohe over other brands. We also ensure that we provide assistance to our specialist partners when applying this manufacturer's guarantee.

Your customer will also benefit from the fifteen year parts availability guarantee, which ensures the security of their investment even after a product is phased out.



hansgrohe guarantee
and availability
guarantee



* This guarantee applies to all hansgrohe products, with the exception of the products listed under II b on [hansgrohe.com/guarantee](https://www.hansgrohe.com/guarantee)

Service – a partnership you can rely on

You deliver your best on each job and need a partner you can rely on. As a trade partner, hansgrohe is here to support you. Through hansgrohe, you can contact experienced plumbers to help you with even the most complex problems – anytime, anywhere. We also provide brochures, videos and online webinars to help you keep your skills up-to-date and provide the best service for your customers.

We keep you up-to-date – on hansgrohe product innovations, marketing and sales campaigns, seminars, events and company news. Whether you're from a trade, craftsman or project management background, register here to always stay in the know.

pro.hansgrohe.com/newsletter



Your success is our success

On our partners website you'll find many additional services, such as delivery information, online spare parts catalogue, dimensional drawings and 3D data, price lists and Building Information Modelling (BIM) data for most software applications and marketing tools. This means you can access it at any time, whether you're out and about or with a customer.

pro.hansgrohe.com

Professional training from our online Aquademie or on-site seminars

hansgrohe eLearnings give you the skills and knowledge to be able to advise customer effectively. Our digital training courses train you on the features and benefits of our products. This is all accessible online, on your computer, tablet or smartphone, for the ultimate in flexibility.

pro.hansgrohe.com/service/elearning

Knowledge update: We offer seminars, training and events on a variety of topics, such as new technologies, modern marketing tools or operational and personnel management. These happen regularly at our in-house training centre, Aquademie in Schiltach, and nationwide on-site.

Taking responsibility – acting sustainably

We focus on three areas of accountability: **responsible management, social action** and **ecological awareness**. We believe this is the only way to be successful, both now and in the future.

This is something we put into practice worldwide, and have been doing so for many years. This includes our environmentally conscious production process, and responsible employment of people and other resources.

Klaus Grohe, the founder's son, was an ardent campaigner for sustainability from an early age. He ensured that environmentally-conscious thinking was a core principle at Hansgrohe.

Hansgrohe was one of the first to bring a water-saving shower to the market as early as 1987. From this point on, many projects were undertaken to ensure environmentally and resource-friendly production in our factories.

At Hansgrohe, we are in the process of taking enormous steps forward to help minimise climate change. By 2030, our aim is to make the entire company, including our products, climate neutral. To implement this we carefully choose our raw materials, packaging and logistics based on their climate impact.





Sports sponsorship – teaming premium athletes with premium products


hansgrohe has been the official title sponsor of the world class cycling team BORA-hansgrohe since 2017. We share the same values and have a similarly global reach: with this international dream team of 29 athletes from 10 nations, hansgrohe has helped them to compete in 140 countries around the world. As brand ambassadors, the athletes are on the road for almost 300 days a year.

In 2019, BORA-hansgrohe was the second ranked team in the UCI WorldTour. A highlight of 2021 was the top German team winning the points classification at the Giro d'Italia – largely thanks to superstar Peter Sagan, who won the famous “Maglia Ciclamino” jersey.

Find out where, when and who is in the starting position, on the website and via social media from hansgrohe and the BORA-hansgrohe team.

 borahansgroheofficial
hansgrohe

 borahansgrohe
hansgrohe

 BORA-hansgrohe.com
hansgrohe.com



Make washing-up a breeze

Spray types – for a streamlined workflow in every kitchen



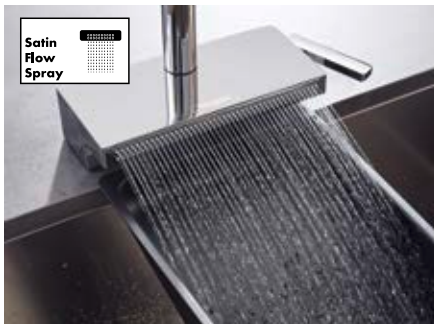
Laminar spray
Crystal clear waterspray without added air, which prevents splashing and is ideal for filling large containers, like vases, quickly.



Normal spray
Fuller, lighter and softer droplets from an aerated spray, thanks to AirPower technology.



Shower spray
A gently water-saving cleaning spray, ideally suited for rinsing the sink.



SatinFlow spray
A gentle, flat water spray that does not splash, is highly efficient and conserves resources.

Clever functions, more efficiency

Technologies to make life easier



Select

Select technology makes using the kitchen tap easier than ever before, because the water can be turned on and off with just one click. You can do that with your elbow or even the back of your hand, keeping your taps clean when you're cooking or washing up.

- Easy operation – optimised water flow
- Stop and restart the flow of water at the push of a button
- It can be operated with an arm or elbow



Select digital

Still, medium or sparkling at the push of a button: choose between three different types of temperature-controlled, filtered or mineralised water, starting and stopping it with a single push.

- Water the way you want it: sparkling, medium or still, chilled anywhere between 4 and 12°C
- Less plastic waste, for better well-being and sustainability
- No need to carry or store water bottles



Push

Get filtered or mineralised water from your kitchen tap at the push of a button. Thanks to the integrated valve, the water flows as long as the button is pressed.

- Filtered or mineralised water flows for as long as the button is held down.
- Maximum comfort, with a more economical water flow



QuickClean

Keep your products in top condition for the long-term with QuickClean. These flexible silicon nozzles mean you can rub off dirt and limescale without the need for cleaning products.

- Quick and easy cleaning
- High-quality, tear resistant silicone
- For a long service life



EcoSmart

Thanks to EcoSmart technology with added air, certain hansgrohe kitchen taps only consume 6 l/min. This reduced water volume means less water needs to be heated up, saving valuable energy for your customer.

- Rich, bubbly water jet thanks to the addition of air
- Lower energy consumption means fewer CO₂ emissions
- Twice as economical thanks to lower water and energy consumption



AirPower

AirPower draws in air via the spray disc, where it enriches the inflowing water, making the water jet fuller, lighter and softer. That means a higher volume of spray with less water.

- Fuller, lighter and softer drops, for a gentler water spray
- Less splashing
- Higher efficiency, lower water consumption



ComfortZone

Kitchen taps with an extra high spout offer additional space – ideal for filling large pots and tall vases. The rotation can be set incrementally up to 360° on taps that swivel.

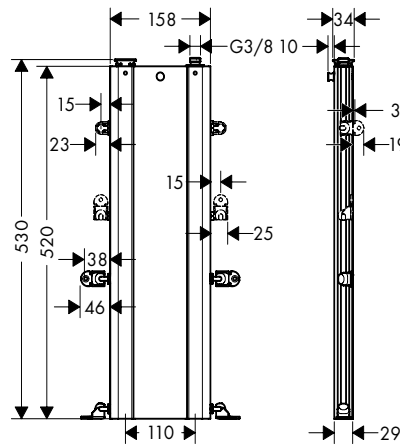
- The right height for every task
- Swivelling provides additional flexibility
- Maximum freedom of movement



sBox Kitchen

sBox kitchen

For pull-out kitchen taps and sink combinations, the sBox ensures that the hose can be pulled in and out safely and easily. The 52 cm high box fits into all common base cabinets, from 74 cm. Alternatively, products are available without the sBox.



- Smooth, safe pulling in and out of the hose, ensuring there's no contact with the drawer contents or waste disposal unit.
- Multiple installation options in the base cabinet, thanks to flexible fastening elements
- Keeps things neat in the sink cabinet
- The hose weight ensures the hose glides back into the box safely and quietly
- Optional accessories: An additional rail enables use in lower cabinets

Installation scenarios



Standard vertical installation below the kitchen tap:

The lower fixings are firmly screwed to the floor. The upper fastenings can either be screwed into the rear wall or hung. The fastening elements can be moved flexibly and rotated 360°, for quick and easy installation.



Vertical installation below the kitchen tap, tilted to the back or front:

Tilting the installation backwards is recommended if the rear wall is offset to the front or if there are obstacles on the floor. The fastenings are all oriented towards the front. This allows the sBox to be pulled forward and clicked out of all brackets, for quick and easy cleaning. The sBox can also be tilted forward if necessary.

Maximum recommended tilt angle: $\pm 20^\circ$.



Against rear wall, tilted to side:

The side tilted installation can be used to avoid obstacles on the floor, such as a waste pull-out or drainage system, or when a corner valve is difficult to access. The brackets can be screwed into the floor, the side or the rear wall.

Maximum recommended tilt angle: $\pm 20^\circ$.



Tilted installation, attached to side wall:

Installation on the side wall is ideal for corner sinks, sinks with draining surfaces or sinks with laterally offset tap holes. The fixings are all screwed on the side. A parallel offset of the sBox should be avoided if possible. If the installation does require an offset, this should never be more than 30 mm between the fitting and the outlet axis from the sBox.



Pull-out function

More flexibility, thanks to the pull-out tap. It extends your sink working area, making it easier to fill containers or water plants.

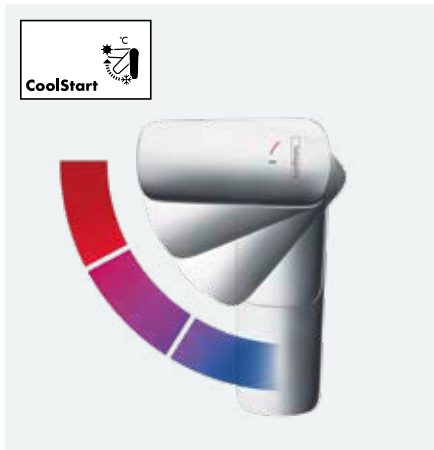
- Standard extension max. 50 cm
- The sBox extends the working space to 76 cm



Lower in front of a window

With kitchen windows that open inwards, conventional taps often get in the way. A hansgrohe tap with TiltFunction solves this: it can be easily lifted and lowered, so that the window can be opened and shut easily.

- Ideal for installation in front of the window
- Easily lifted up and folded down
- For easy opening and closing of a window



CoolStart

On standard taps, the continuous flow heater or circulation pump starts as soon as the handle is in the middle position. With CoolStart, hot water is only added when the lever is moved to the left, cutting down on energy use, CO₂ emissions and costs.

- Only cold water flows in the default setting
- This saves water and energy, and therefore money
- Better user ergonomics, since the lever for hot water can only be moved to the left



Low pressure solutions

Kitchen taps equipped with LowPressure technology can be used at sinks with a water pressure of just 0.2 bar. A low pressure fitting for cold water pipes with boiler/heat storage.

- hansgrohe low pressure fittings
- Suitable for cold water pipes with a boiler/heat storage tank
- Suitable from a water pressure of 0.2 bar



TwoOutlets

Two different water outlets ensure that treated and untreated water always run separately.

- One pipe for filtered and/or mineralised drinking water
- One pipe for non-refined water e.g. for cleaning or watering flowers



MemoryFunction

Whether 200 ml or 1 litre: fill your glass with a preset amount simply by double-clicking, and let the water stop automatically.

- Fill your glass or water bottle with a preset amount of water
- Set the volume exactly for the capacity of your glasses
- Easy operation, requiring a simple double click



hansgrohe home App

Control your kitchen tap from the hansgrohe Home app, and stay up-to-date. Receive notifications about when you need to change your CO₂ cylinder or filter, and view consumption data.

- Receive push notifications on your mobile phone
- View current consumption data



Eye-catching additions at the sink

FinishPlus – for kitchens with personality

Customers are increasingly looking for ways to stamp their individuality onto their kitchen, which is why we offer kitchen taps in

various coloured finishes. In addition to chrome and stainless steel, taps in a matte black finish are more popular than ever

before. With FinishPlus you can help your customer create a kitchen bursting with personality.



670 matte black: Distilling design to the essentials.



800 stainless steel finish: A harmonious and modern kitchen aesthetic.



000 chrome: Timelessly elegant.

Advantages and benefits

- Maximum individualisation: a range of new tap colours and complementary products
- Resilient and scratch-proof, with tactile appeal
- Simple ordering process thanks to stock items

Sink installation options

Installation according to your style

Every customer has a preference as to how their sink should be integrated into their kitchen. That's why we offer three different

installation options: surface-mounted, flush-mounted or under-mounted. Each of these has its own advantages, based on the countertop

material, requirements and personal tastes of the customer.



Surface-mounted

Surface mounting is the most common type of installation. The sink is inserted from above into a hole cut in the worktop, meaning all that is needed is a simple panel cut-out. This type of installation is suitable for wooden or laminate worktops, amongst others.



Flush-mounted installation

Flush mounting is only possible with stainless steel sinks. It appears as if the sink and worktop are one, as the sink is inserted flush with the worktop. An exact panel cutout is necessary for this. This creates a seamless transition, creating valuable additional work space and simplifying cleaning, as there is no raised edge on the sink. This type of installation is particularly suitable for worktops made of solid, continuous materials such as natural stone, glass, quartz stone or ceramic.















Under-mounted installation

Under-mounted sinks - in which the worktop is flush-fitting to the sink - create a particularly refined look. The sink is attached to the worktop from below, meaning an opening the size of the sink needs to be cut in so the sink can be glued and screwed to the worktop. This makes it easy to clean the sink - dirt or liquids can simply be wiped into it. This type of installation is only suitable for water-resistant countertops made of natural stone, concrete or quartz. The kitchen taps must be installed in the worktop or in the wall above.

hansgrohe Flushing

Product ranges at a glance

	S71		S41	
Surface	-800		-800	
45 cm Base unit				
50 cm Base unit				
60 cm Base unit				
80 cm Base unit				
90 cm Base unit				
Without tap hole drilling		■		■
Pre-drilled tap hole	■			
Pre-drilled tap hole and hole for drain remote control	■			■
Without waste set	■	■		
With waste set				■
Surface-mounted	■	■		■
Flush-fit	■	■		■
Base unit installation		■		

Page 26

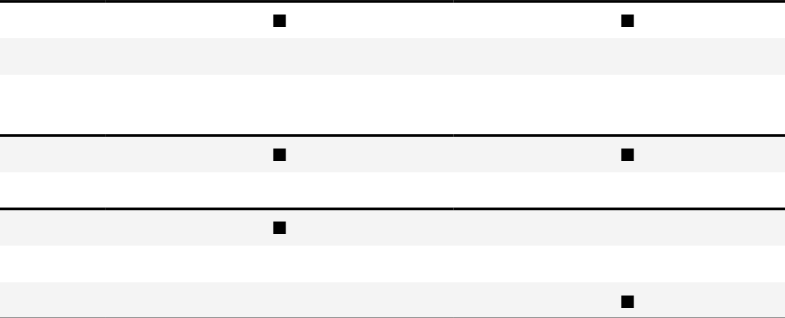
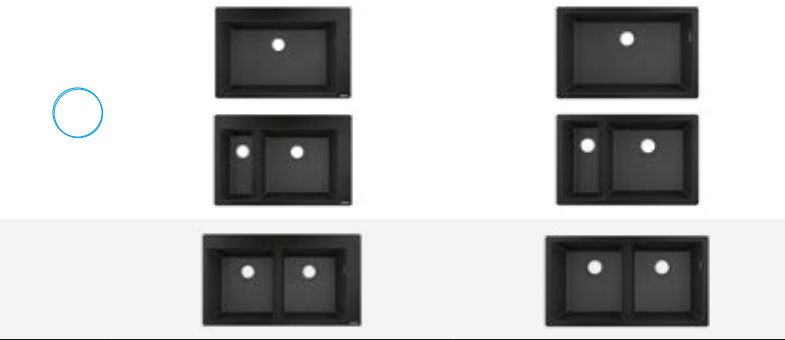
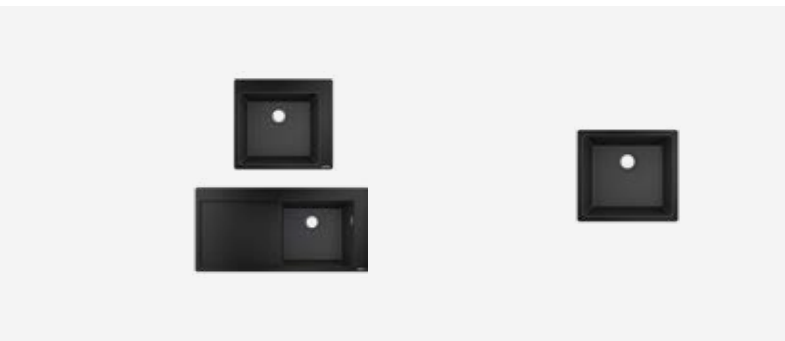
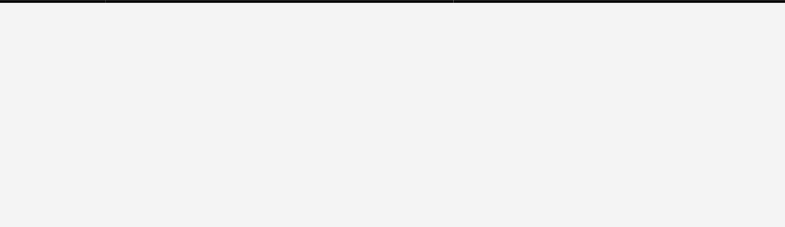
Page 33

Page 36



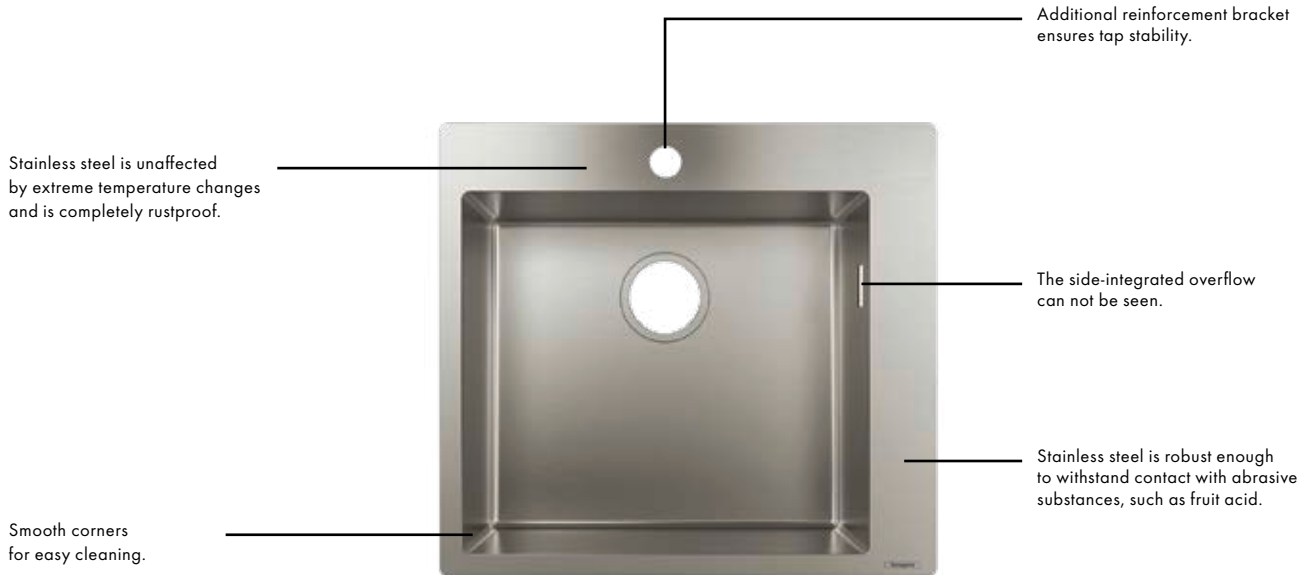
S51

-170, -290, -380



Minimalist design, maximum choice

S71



High quality: These hand-welded 1 mm stainless steel sinks shine with precisely manufactured edges and 10 mm corner radii. The frame on the L versions is reinforced by 2 mm, ensuring sink stability.



Installation options: Stainless steel S71 sinks can be flush-mounted or surface-mounted, or you can opt for a base unit model. A choice of sink sizes ensures maximum flexibility.

Advantages and benefits

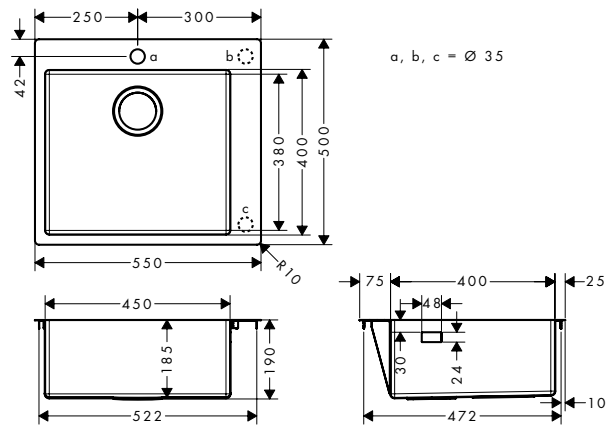
- Choice of installation options: Surface-mounted, flush-mounted, and undermounted installation
- Precisely and exclusively made surfaces and edges
- Exact areas and precise 10 mm corner radii for easy cleaning
- Stainless steel is heat resistant, hygienic and never rusts
- All sinks are equipped with a reinforcement bracket for stable tap fixture, so there's no more sink shaking



S71
S711-F450 Built-in sink 450
43301, -800

Base unit
60 cm

Installation type



Features

- cut-out dimensions: 530 x 480 mm
- material: stainless steel
- number of bowls: 1 main bowl
- predrilled tap hole
- cabinet size: 60 cm
- type of installation: flat on the countertop (self-rimming) or flush-mount installation
- position overflow: on the right side of the bowl
- tap ledge reinforcing for a tight and stable seating of the kitchen mixer
- corner radius: 10 mm
- sink depth: 190 mm
- waste set not included – please order one waste set from the required parts

Necessary accessories

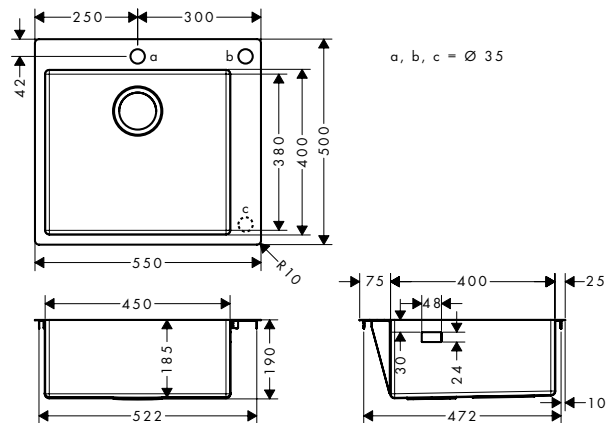
43921XXX D14-10 Manual waste and overflow set for single bowl



S71
S712-F450 Built-in sink 450
43305, -800

Base unit
60 cm

Installation type



Features

- cut-out dimensions: 530 x 480 mm
- material: stainless steel
- number of bowls: 1 main bowl
- tap hole and hole for pop-up waste control are pre-drilled
- cabinet size: 60 cm
- type of installation: flat on the countertop (self-rimming) or flush-mount installation
- position overflow: on the right side of the bowl
- tap ledge reinforcing for a tight and stable seating of the kitchen mixer
- corner radius: 10 mm
- sink depth: 190 mm
- waste set not included – please order one waste set from the required parts

Necessary accessories

43931XXX D14-11 Automatic waste and overflow set for single bowl

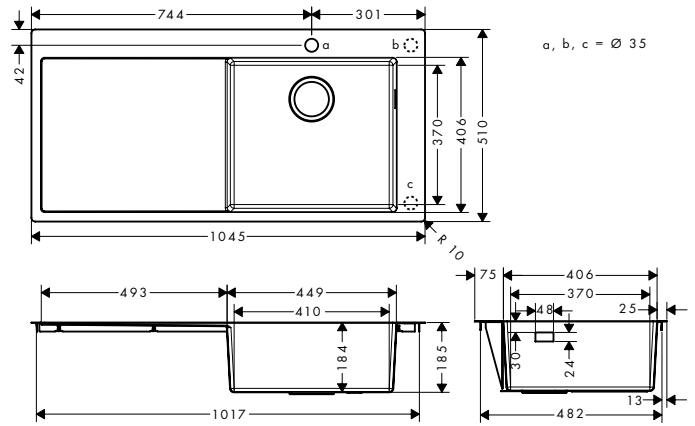


S71
S715-F450 Built-in sink 450 with drainboard left
43306, -800

Base unit

60 cm

Installation type



Features

- cut-out dimensions: 1025 x 490 mm
- material: stainless steel
- number of bowls: 1 main bowl
- with drainage
- predrilled tap hole
- orientation: bowl right
- cabinet size: 60 cm
- type of installation: flat on the countertop (self-rimming) or flush-mount installation
- position overflow: on the right side of the bowl
- tap ledge reinforcing for a tight and stable seating of the kitchen mixer
- for installation in worktops from 25 mm
- corner radius: 10 mm
- sink depth: 190 mm
- waste set not included – please order one waste set from the required parts

Necessary accessories

- # 43921XXX D14-10 Manual waste and overflow set for single bowl

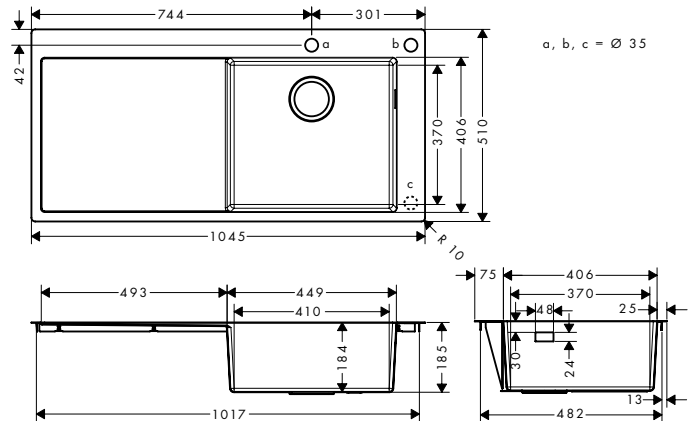


S71
S717-F450 Built-in sink 450 with drainboard left
43307, -800

Base unit

60 cm

Installation type



Features

- cut-out dimensions: 1025 x 490 mm
- material: stainless steel
- number of bowls: 1 main bowl
- with drainage
- tap hole and hole for pop-up waste control are pre-drilled
- orientation: bowl right
- cabinet size: 60 cm
- type of installation: flat on the countertop (self-rimming) or flush-mount installation
- position overflow: on the right side of the bowl
- tap ledge reinforcing for a tight and stable seating of the kitchen mixer
- for installation in worktops from 25 mm
- corner radius: 10 mm
- sink depth: 190 mm
- waste set not included – please order one waste set from the required parts

Necessary accessories

- # 43931XXX D14-11 Automatic waste and overflow set for single bowl



S71
S716-F450 Built-in sink 450 with drainboard right
43331, -800

Base unit
60 cm

Installation type

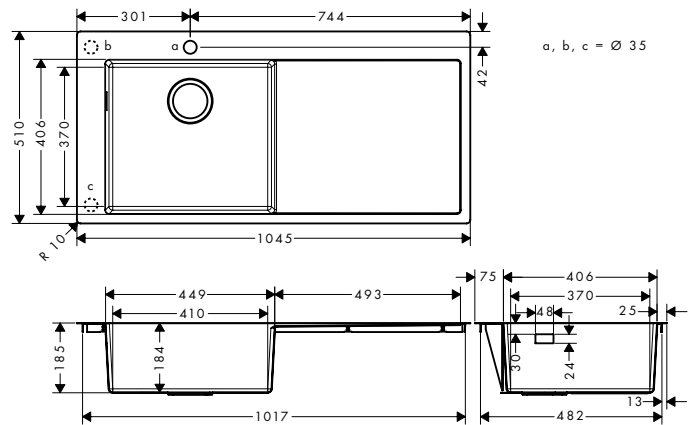


Features

- cut-out dimensions: 1025 x 490 mm
- material: stainless steel
- number of bowls: 1 main bowl
- with drainage
- predrilled tap hole
- orientation: bowl left
- cabinet size: 60 cm
- type of installation: flat on the countertop (self-rimming) or flush-mount installation
- position overflow: on the left side of the bowl
- tap ledge reinforcing for a tight and stable seating of the kitchen mixer
- for installation in worktops from 25 mm
- corner radius: 10 mm
- sink depth: 190 mm
- waste set not included – please order one waste set from the required parts

Necessary accessories

43921XXX D14-10 Manual waste and overflow set for single bowl



S71
S718-F450 Built-in sink 450 with drainboard right
43332, -800

Base unit
60 cm

Installation type

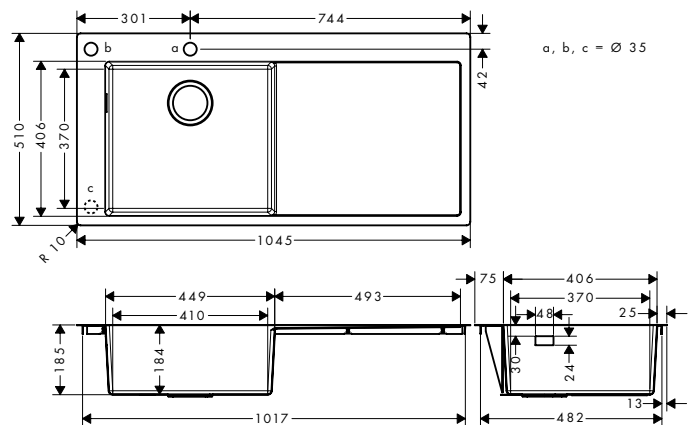


Features

- cut-out dimensions: 1025 x 490 mm
- material: stainless steel
- number of bowls: 1 main bowl
- with drainage
- tap hole and hole for pop-up waste control are pre-drilled
- orientation: bowl left
- cabinet size: 60 cm
- type of installation: flat on the countertop (self-rimming) or flush-mount installation
- position overflow: on the left side of the bowl
- tap ledge reinforcing for a tight and stable seating of the kitchen mixer
- for installation in worktops from 25 mm
- corner radius: 10 mm
- sink depth: 190 mm
- waste set not included – please order one waste set from the required parts

Necessary accessories

43931XXX D14-11 Automatic waste and overflow set for single bowl



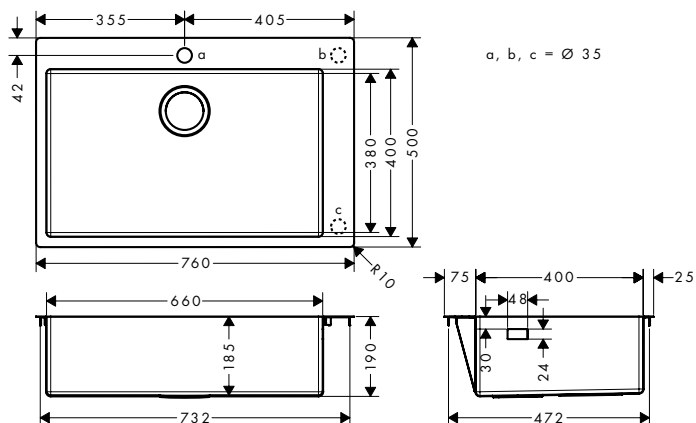


S71
S711-F660 Built-in sink 660
43302, -800

Base unit

80 cm

Installation type



Features

- cut-out dimensions: 740 x 480 mm
- material: stainless steel
- number of bowls: 1 main bowl
- predrilled tap hole
- cabinet size: 80 cm
- type of installation: flat on the countertop (self-rimming) or flush-mount installation
- position overflow: on the right side of the bowl
- tap ledge reinforcing for a tight and stable seating of the kitchen mixer
- corner radius: 10 mm
- sink depth: 190 mm
- waste set not included – please order one waste set from the required parts

Necessary accessories

- # 43921XXX D14-10 Manual waste and overflow set for single bowl

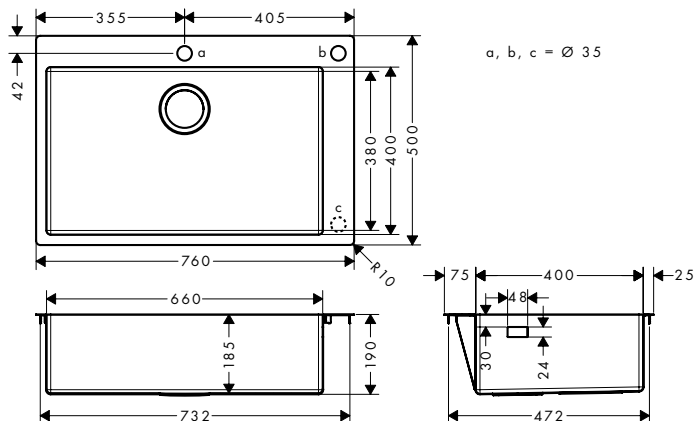


S71
S712-F660 Built-in sink 660
43308, -800

Base unit

80 cm

Installation type



Features

- cut-out dimensions: 740 x 480 mm
- material: stainless steel
- number of bowls: 1 main bowl
- tap hole and hole for pop-up waste control are pre-drilled
- cabinet size: 80 cm
- type of installation: flat on the countertop (self-rimming) or flush-mount installation
- position overflow: on the right side of the bowl
- tap ledge reinforcing for a tight and stable seating of the kitchen mixer
- corner radius: 10 mm
- sink depth: 190 mm
- waste set not included – please order one waste set from the required parts

Necessary accessories

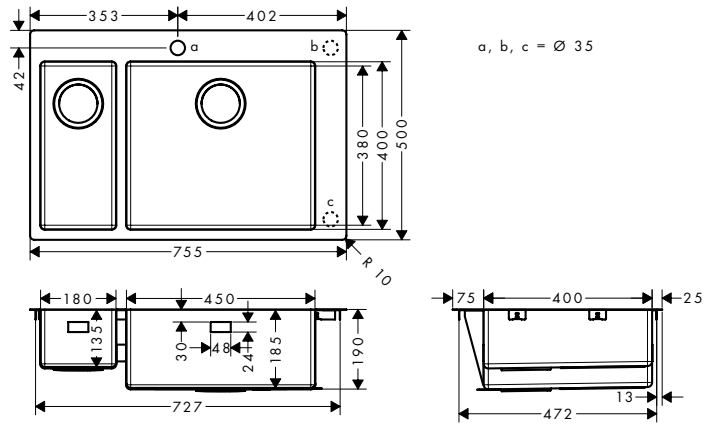
- # 43931XXX D14-11 Automatic waste and overflow set for single bowl



S71
S711-F655 Built-in sink 180/450
43309, -800

Base unit
80 cm

Installation type



Features

- cut-out dimensions: 735 x 480 mm
- material: stainless steel
- number of bowls: 1 main bowl and 1 additional bowl
- predrilled tap hole
- cabinet size: 80 cm
- type of installation: flat on the countertop (self-rimming) or flush-mount installation
- position overflow: on the right side of the main bowl
- tap ledge reinforcing for a tight and stable seating of the kitchen mixer
- corner radius: 10 mm
- sink depth: 190 mm
- depth half sink: 135 mm
- waste set not included – please order one waste set from the required parts

Necessary accessories

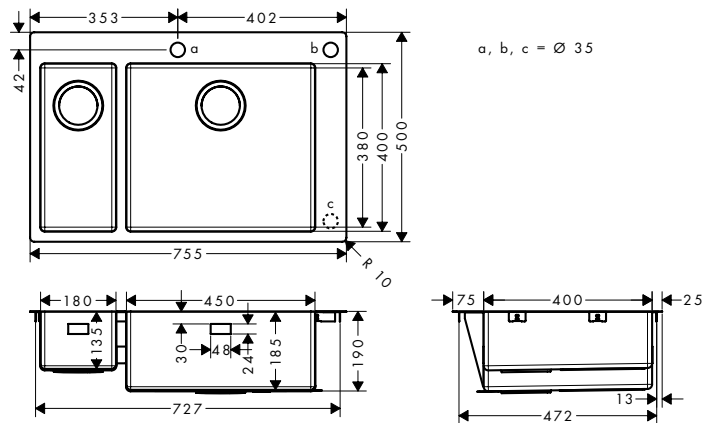
43922XXX D15-10 Manual waste and overflow set for double bowl



S71
S712-F655 Built-in sink 180/450
43310, -800

Base unit
80 cm

Installation type



Features

- cut-out dimensions: 735 x 480 mm
- material: stainless steel
- number of bowls: 1 main bowl and 1 additional bowl
- tap hole and hole for pop-up waste control are pre-drilled
- cabinet size: 80 cm
- type of installation: flat on the countertop (self-rimming) or flush-mount installation
- position overflow: on the right side of the main bowl
- tap ledge reinforcing for a tight and stable seating of the kitchen mixer
- corner radius: 10 mm
- sink depth: 190 mm
- depth half sink: 135 mm
- waste set not included – please order one waste set from the required parts

Necessary accessories

43932XXX D15-11 Automatic waste and overflow set for double bowl

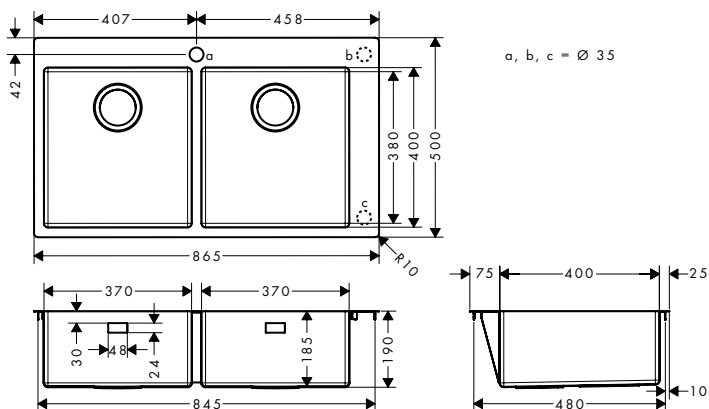


S71
S711-F765 Built-in sink 370/370
43303, -800

Base unit

90 cm

Installation type



Features

- cut-out dimensions: 845 x 480 mm
- material: stainless steel
- number of bowls: 2 main bowls
- predrilled tap hole
- cabinet size: 90 cm
- type of installation: flat on the countertop (self-rimming) or flush-mount installation
- tap ledge reinforcing for a tight and stable seating of the kitchen mixer
- corner radius: 10 mm
- sink depth: 190 mm
- waste set not included – please order one waste set from the required parts

Necessary accessories

- # 43922XXX D15-10 Manual waste and overflow set for double bowl

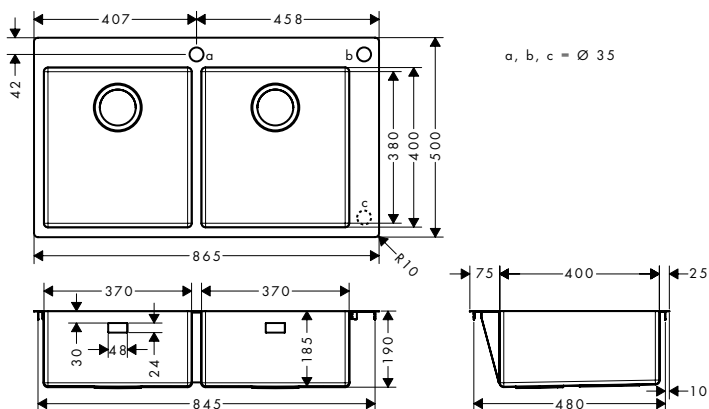


S71
S712-F765 Built-in sink 370/370
43311, -800

Base unit

90 cm

Installation type



Features

- cut-out dimensions: 845 x 480 mm
- material: stainless steel
- number of bowls: 2 main bowls
- tap hole and hole for pop-up waste control are pre-drilled
- cabinet size: 90 cm
- type of installation: flat on the countertop (self-rimming) or flush-mount installation
- tap ledge reinforcing for a tight and stable seating of the kitchen mixer
- corner radius: 10 mm
- sink depth: 190 mm
- waste set not included – please order one waste set from the required parts

Necessary accessories

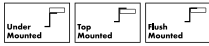
- # 43932XXX D15-11 Automatic waste and overflow set for double bowl



S71
S719-U400 Under-mount sink 400
43425, -800

Base unit
50 cm

Installation type

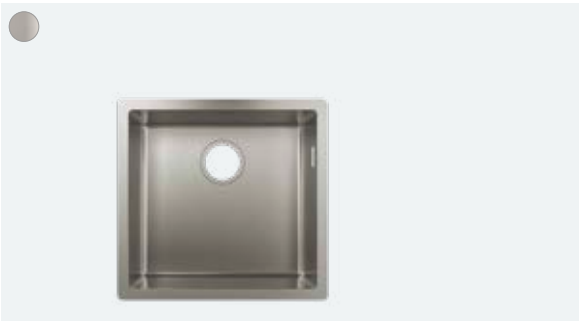
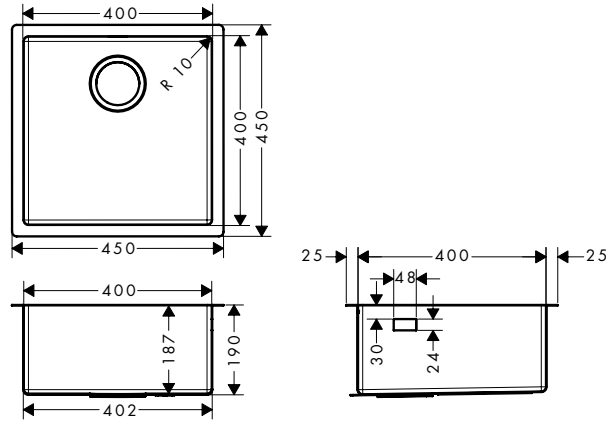


Features

- cut-out dimensions: 398 x 398 mm
- material: stainless steel
- number of bowls: 1 main bowl
- cabinet size: 50 cm
- type of installation: undermount, flat on the countertop (self-rimming) or flush-mount installation
- position overflow: on the right side of the bowl
- corner radius: 10 mm
- sink depth: 190 mm
- waste set not included – please order one waste set from the required parts

Necessary accessories

- # 43921XXX D14-10 Manual waste and overflow set for single bowl
- # 43931XXX D14-11 Automatic waste and overflow set for single bowl



S71
S719-U450 Under-mount sink 450
43426, -800

Base unit
60 cm

Installation type

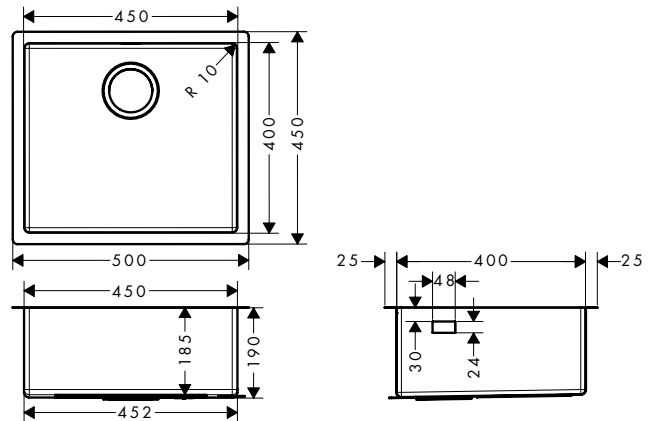


Features

- cut-out dimensions: 448 x 398 mm
- material: stainless steel
- number of bowls: 1 main bowl
- cabinet size: 60 cm
- type of installation: undermount, flat on the countertop (self-rimming) or flush-mount installation
- position overflow: on the right side of the bowl
- corner radius: 10 mm
- sink depth: 190 mm
- waste set not included – please order one waste set from the required parts

Necessary accessories

- # 43921XXX D14-10 Manual waste and overflow set for single bowl
- # 43931XXX D14-11 Automatic waste and overflow set for single bowl



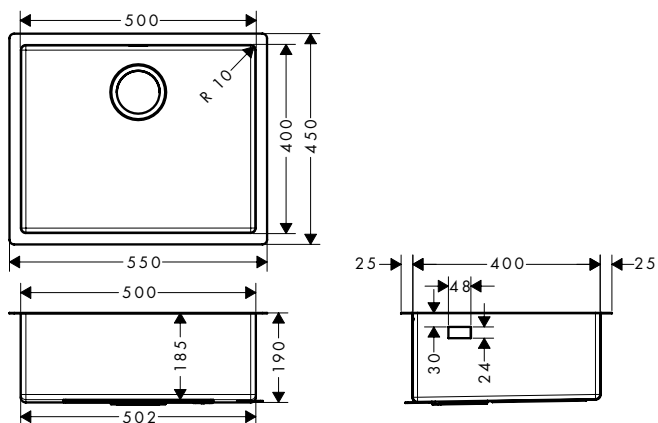


S71
S719-U500 Under-mount sink 500
43427, -800

Base unit

60 cm

Installation type



Features

- cut-out dimensions: 498 x 398 mm
- material: stainless steel
- number of bowls: 1 main bowl
- cabinet size: 60 cm
- type of installation: undermount, flat on the countertop (self-rimming) or flush-mount installation
- position overflow: on the right side of the bowl
- corner radius: 10 mm
- sink depth: 190 mm
- waste set not included – please order one waste set from the required parts

Necessary accessories

- # 43931XXX D14-11 Automatic waste and overflow set for single bowl
- # 43921XXX D14-10 Manual waste and overflow set for single bowl

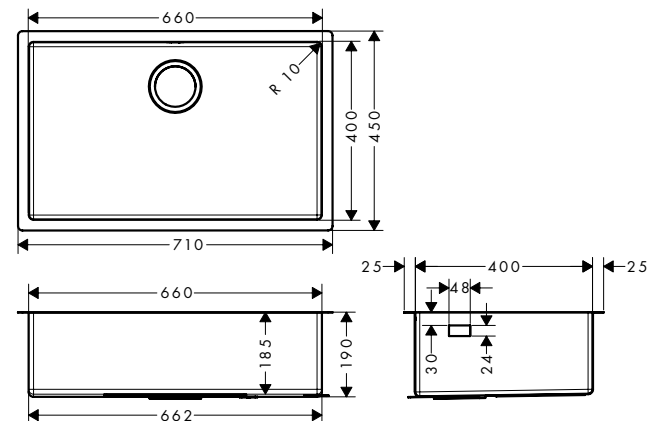


S71
S719-U660 Under-mount sink 660
43428, -800

Base unit

80 cm

Installation type



Features

- cut-out dimensions: 658 x 398 mm
- material: stainless steel
- number of bowls: 1 main bowl
- cabinet size: 80 cm
- type of installation: undermount, flat on the countertop (self-rimming) or flush-mount installation
- position overflow: on the right side of the bowl
- corner radius: 10 mm
- sink depth: 190 mm
- waste set not included – please order one waste set from the required parts

Necessary accessories

- # 43931XXX D14-11 Automatic waste and overflow set for single bowl
- # 43921XXX D14-10 Manual waste and overflow set for single bowl



S71
S719-U655 Under-mount sink 180/450
43429, -800

Base unit
80 cm

Installation type

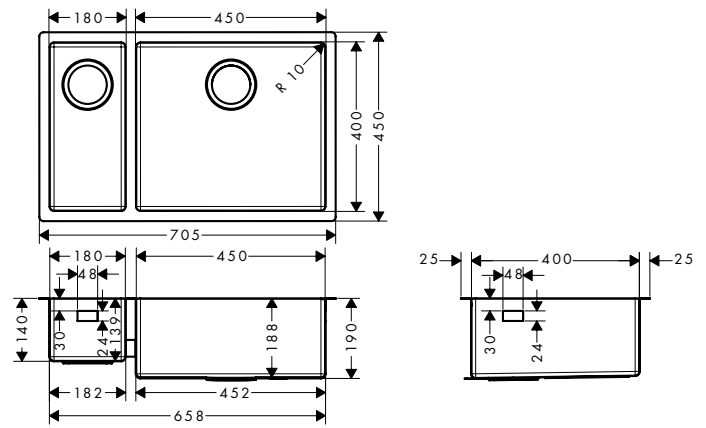


Features

- cut-out dimensions: 653 x 398 mm
- material: stainless steel
- number of bowls: 1 main bowl and 1 additional bowl
- cabinet size: 80 cm
- type of installation: undermount, flat on the countertop (self-rimming) or flush-mount installation
- position overflow: on the right side of the main bowl
- corner radius: 10 mm
- sink depth: 190 mm
- depth half sink: 135 mm
- waste set not included - please order one waste set from the required parts

Necessary accessories

- # 43922XXX D15-10 Manual waste and overflow set for double bowl
- # 43932XXX D15-11 Automatic waste and overflow set for double bowl



S71
S719-U765 Under-mount sink 370/370
43430, -800

Base unit
90 cm

Installation type

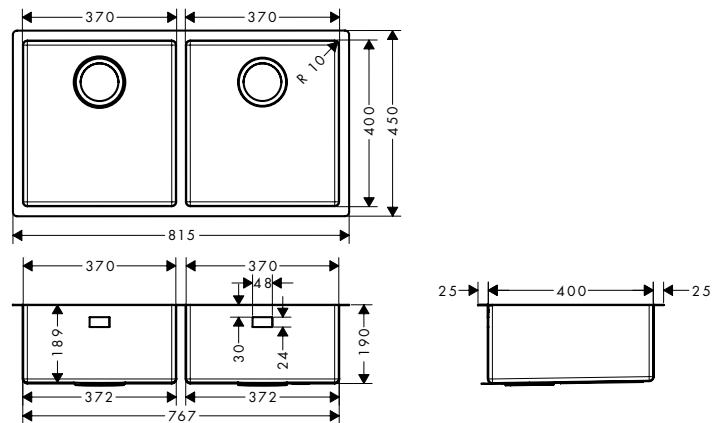


Features

- cut-out dimensions: 763 x 398 mm
- material: stainless steel
- number of bowls: 2 main bowls
- cabinet size: 90 cm
- type of installation: undermount, flat on the countertop (self-rimming) or flush-mount installation
- corner radius: 10 mm
- sink depth: 190 mm
- waste set not included - please order one waste set from the required parts

Necessary accessories

- # 43922XXX D15-10 Manual waste and overflow set for double bowl
- # 43932XXX D15-11 Automatic waste and overflow set for double bowl



Flawless workmanship, a range of installation options

S41



High quality: Made of 0.8 mm thick stainless steel, the flowing, soft edges and the discreetly positioned overflow blend seamlessly into modern kitchen styles.



Flexible: Thanks to the reversible installation of the sinks with draining boards and a selection of sink sizes, they suit a wide variety of installation scenarios. The S41 can be surface-mounted or flush-mounted.

Advantages and benefits

- Different installation options: surface-mounted and flush-mounted
- Precisely and exclusively made surfaces and edges
- Smooth 70 mm corners for easy cleaning
- Stainless steel is heat resistant, hygienic and never rusts
- All sinks are equipped with a reinforcement bracket for stable tap fixture, so there's no more sink shaking.
- Reverse installation possible



S41
S412-F340 Built-in sink 340/400
43334, -800

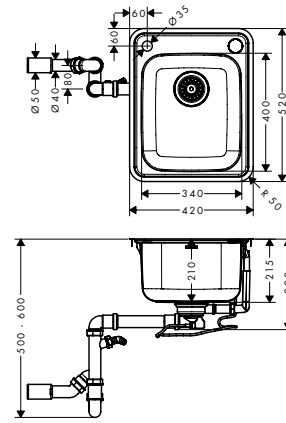
Base unit
45 cm

Installation type



Features

- consists of: built-in sink, automatic waste set with siphon
- cut-out dimensions: 410 x 510 mm
- material: stainless steel
- number of bowls: 1 main bowl
- tap hole and hole for pop-up waste control are pre-drilled
- cabinet size: 45 cm
- type of installation: flat on the countertop (self-rimming) or flush-mount installation
- position overflow: on the side of the bowl
- tap ledge reinforcing for a tight and stable seating of the kitchen mixer
- corner radius: 70 mm
- sink depth: 210 mm



S41
S412-F400 Built-in sink 400/400
43335, -800

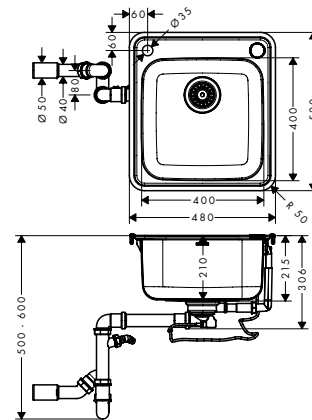
Base unit
50 cm

Installation type



Features

- consists of: built-in sink, automatic waste set with siphon
- cut-out dimensions: 470 x 510 mm
- material: stainless steel
- number of bowls: 1 main bowl
- tap hole and hole for pop-up waste control are pre-drilled
- cabinet size: 50 cm
- type of installation: flat on the countertop (self-rimming) or flush-mount installation
- position overflow: on the side of the bowl
- tap ledge reinforcing for a tight and stable seating of the kitchen mixer
- corner radius: 70 mm
- sink depth: 210 mm





S41
S412-F500 Built-in sink 500/400
43336, -800

Base unit

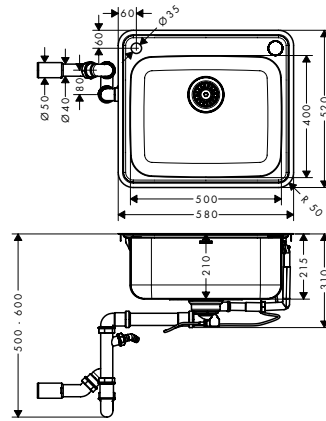
60 cm

Installation type



Features

- consists of: built-in sink, automatic waste set with siphon
- cut-out dimensions: 570 x 510 mm
- material: stainless steel
- number of bowls: 1 main bowl
- tap hole and hole for pop-up waste control are pre-drilled
- cabinet size: 60 cm
- type of installation: flat on the countertop (self-rimming) or flush-mount installation
- position overflow: on the side of the bowl
- tap ledge reinforcing for a tight and stable seating of the kitchen mixer
- corner radius: 70 mm
- sink depth: 210 mm





S41
S4111-F340 Built-in sink 340/400 with drainboard
43340, -800

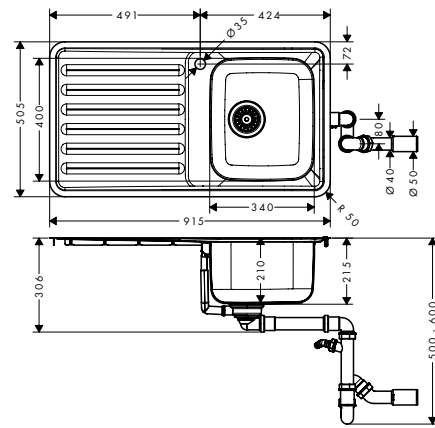
Base unit
45 cm

Installation type



Features

- consists of: built-in sink, manual waste set with siphon
- cut-out dimensions: 895 x 485 mm
- material: stainless steel
- number of bowls: 1 main bowl
- with drainage
- tap hole for drilling is predefined (see scale drawing), without tap hole
- orientation: reversible
- cabinet size: 45 cm
- type of installation: flat on the countertop (self-rimming) or flush-mount installation
- position overflow: on the side of the bowl under drainboard
- tap ledge reinforcing for a tight and stable seating of the kitchen mixer
- corner radius: 70 mm
- sink depth: 210 mm



S41
S4113-F340 Built-in sink 340/400 with drainboard
43337, -800

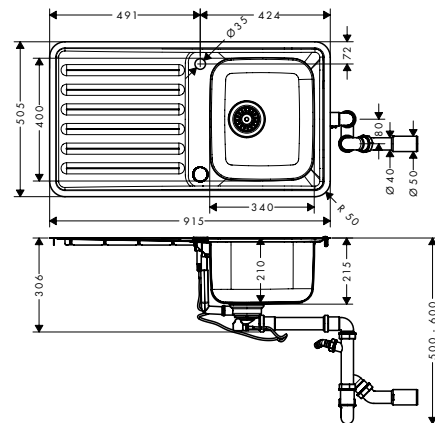
Base unit
45 cm

Installation type



Features

- consists of: built-in sink, automatic waste set with siphon
- cut-out dimensions: 895 x 485 mm
- material: stainless steel
- number of bowls: 1 main bowl
- with drainage
- tap hole and hole for pop-up waste control are pre-drilled
- orientation: reversible
- cabinet size: 45 cm
- type of installation: flat on the countertop (self-rimming) or flush-mount installation
- position overflow: on the side of the bowl under drainboard
- tap ledge reinforcing for a tight and stable seating of the kitchen mixer
- corner radius: 70 mm
- sink depth: 210 mm





S41
S4111-F400 Built-in sink 400/400 with drainboard
43341, -800

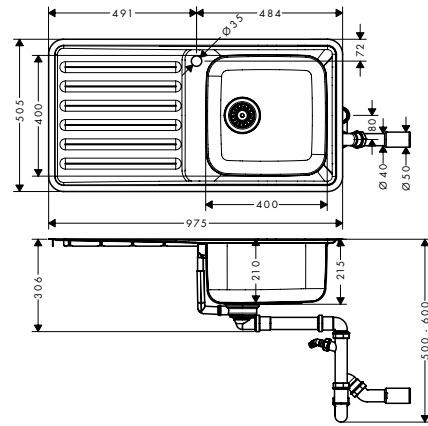
Base unit
50 cm

Installation type



Features

- consists of: built-in sink, manual waste set with siphon
- cut-out dimensions: 955 x 485 mm
- material: stainless steel
- number of bowls: 1 main bowl
- with drainage
- tap hole for drilling is predefined (see scale drawing), without tap hole
- orientation: reversible
- cabinet size: 50 cm
- type of installation: flat on the countertop (self-rimming) or flush-mount installation
- position overflow: on the side of the bowl under drainboard
- tap ledge reinforcing for a tight and stable seating of the kitchen mixer
- corner radius: 70 mm
- sink depth: 210 mm



S41
S4113-F400 Built-in sink 400/400 with drainboard
43338, -800

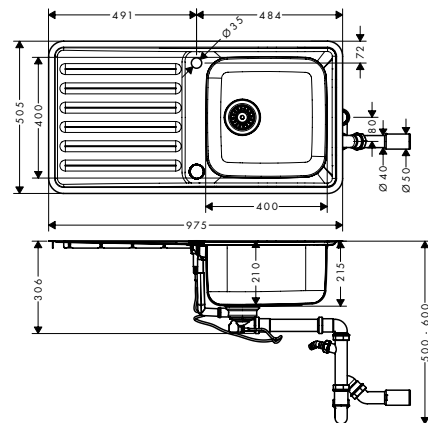
Base unit
50 cm

Installation type



Features

- consists of: built-in sink, automatic waste set with siphon
- cut-out dimensions: 955 x 485 mm
- material: stainless steel
- number of bowls: 1 main bowl
- with drainage
- tap hole and hole for pop-up waste control are pre-drilled
- orientation: reversible
- cabinet size: 50 cm
- type of installation: flat on the countertop (self-rimming) or flush-mount installation
- position overflow: on the side of the bowl under drainboard
- tap ledge reinforcing for a tight and stable seating of the kitchen mixer
- corner radius: 70 mm
- sink depth: 210 mm





S41
S4111-F540 Built-in sink 340/150/400 with
drainboard
43342, -800

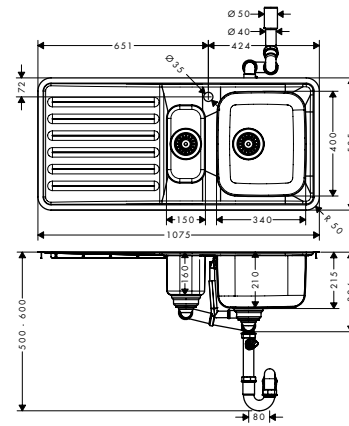
Base unit
60 cm

Installation type



Features

- consists of: built-in sink, manual waste set with siphon
- cut-out dimensions: 1055 x 485 mm
- material: stainless steel
- number of bowls: 1 main bowl and 1 additional bowl
- with drainage
- tap hole for drilling is predefined (see scale drawing), without tap hole
- orientation: reversible
- cabinet size: 60 cm
- type of installation: flat on the countertop (self-rimming) or flush-mount installation
- position overflow: on the side of the bowl
- under drainboard
- tap ledge reinforcing for a tight and stable seating of the kitchen mixer
- corner radius: 70 mm
- sink depth: 210 mm
- depth half sink: 160 mm



S41
S4113-F540 Built-in sink 340/150/400 with
drainboard
43339, -800

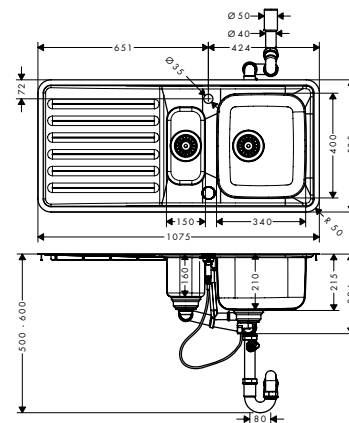
Base unit
60 cm

Installation type



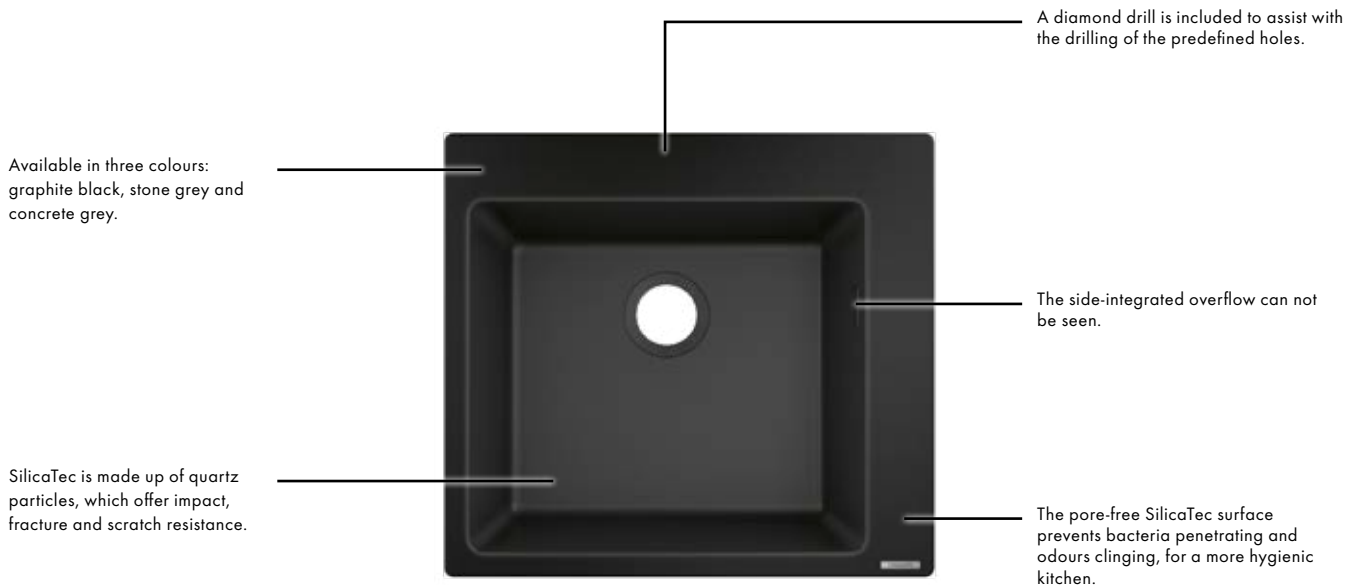
Features

- consists of: built-in sink, automatic waste set with siphon
- cut-out dimensions: 1055 x 485 mm
- material: stainless steel
- number of bowls: 1 main bowl and 1 additional bowl
- with drainage
- tap hole and hole for pop-up waste control are pre-drilled
- orientation: reversible
- cabinet size: 60 cm
- type of installation: flat on the countertop (self-rimming) or flush-mount installation
- position overflow: on the side of the bowl
- under drainboard
- tap ledge reinforcing for a tight and stable seating of the kitchen mixer
- corner radius: 70 mm
- sink depth: 210 mm
- depth half sink: 160 mm



Natural design, endless choice

S51



Natural: Whether in graphite black, stone grey or concrete grey, the material feels tactile and natural to touch. The smooth, pore-free surface prevents water from penetrating and dirt from sticking.



Pearling effect: The lotus effect allows water to drain off almost residue-free. The quality of the surface also prevents food stains and other discolouration.

Advantages and benefits

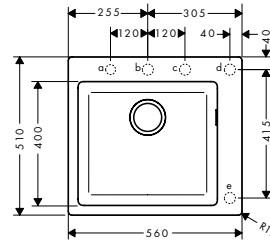
- S51 sinks suit any kitchen, thanks to the range of colours available
- Very strong surface with a high thermal resistance
- Resistant to food stains
- The smooth, non-porous surface prevents water and dirt from penetrating or sticking
- Thanks to this stone-like composite quartz material, its tough, hard surface resists scratches, knocks and dents



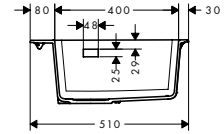
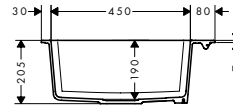
S51
S510-F450 Built-in sink 450
43312, -170, -290, -380

Base unit
60 cm

Installation type



a, b, c, d, e = \varnothing 35



Features

- cut-out dimensions: 540 x 490 mm
- material: SilicaTec
- number of bowls: 1 main bowl
- tap hole for drilling is predefined (see scale drawing)
- cabinet size: 60 cm
- type of installation: topmount
- position overflow: on the right side of the bowl
- sink depth: 190 mm
- waste set not included – please order one waste set from the required parts

Necessary accessories

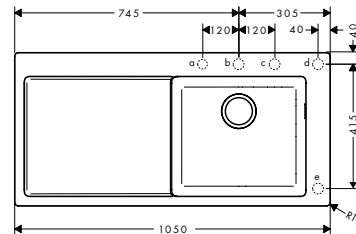
- # 43927XXX D16-10 Manual waste and overflow set for single bowl granite
- # 43937XXX D16-11 Automatic waste and overflow set for single bowl granite



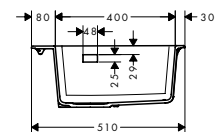
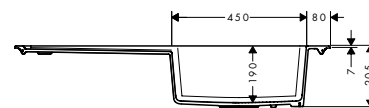
S51
S514-F450 Built-in sink 450 with drainboard left
43314, -170, -290, -380

Base unit
60 cm

Installation type



a, b, c, d, e = \varnothing 35



Features

- cut-out dimensions: 1030 x 490 mm
- material: SilicaTec
- number of bowls: 1 main bowl
- with drainage
- tap hole for drilling is predefined (see scale drawing)
- orientation: bowl right
- cabinet size: 60 cm
- type of installation: topmount
- position overflow: on the right side of the bowl
- for installation in worktops from 20 mm
- sink depth: 190 mm
- waste set not included – please order one waste set from the required parts

Necessary accessories

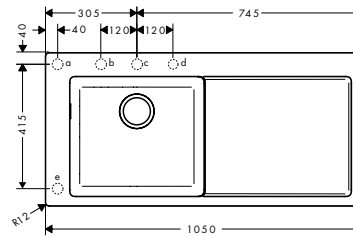
- # 43937XXX D16-11 Automatic waste and overflow set for single bowl granite
- # 43927XXX D16-10 Manual waste and overflow set for single bowl granite



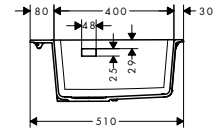
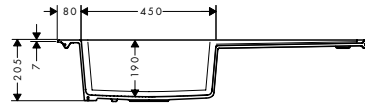
S51
S5110-F450 Built-in sink 450 with drainboard right
43330, -170, -290, -380

Base unit
60 cm

Installation type



a, b, c, d, e = \varnothing 35



Features

- cut-out dimensions: 1030 x 490 mm
- material: SilicaTec
- number of bowls: 1 main bowl
- with drainage
- tap hole for drilling is predefined (see scale drawing)
- orientation: bowl left
- cabinet size: 60 cm
- type of installation: topmount
- position overflow: on the left side of the bowl
- for installation in worktops from 20 mm
- sink depth: 190 mm
- waste set not included – please order one waste set from the required parts

Necessary accessories

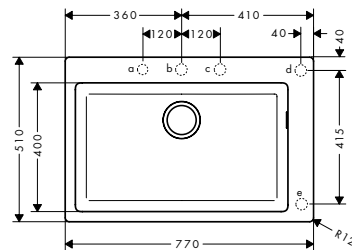
- # 43927XXX D16-10 Manual waste and overflow set for single bowl granite
- # 43937XXX D16-11 Automatic waste and overflow set for single bowl granite



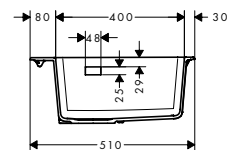
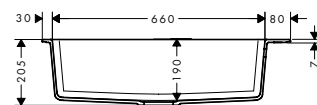
S51
S510-F660 Built-in sink 660
43313, -170, -290, -380

Base unit
80 cm

Installation type



a, b, c, d, e = \varnothing 35



Features

- cut-out dimensions: 750 x 490 mm
- material: SilicaTec
- number of bowls: 1 main bowl
- tap hole for drilling is predefined (see scale drawing)
- cabinet size: 80 cm
- type of installation: topmount
- position overflow: on the right side of the bowl
- sink depth: 190 mm
- waste set not included – please order one waste set from the required parts

Necessary accessories

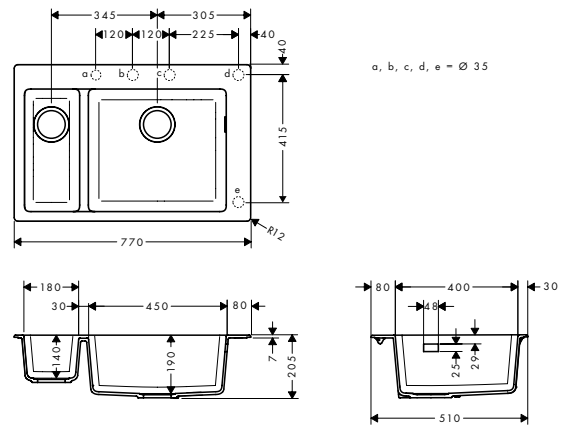
- # 43937XXX D16-11 Automatic waste and overflow set for single bowl granite
- # 43927XXX D16-10 Manual waste and overflow set for single bowl granite



S51
S510-F635 Built-in sink 180/450
43315, -170, -290, -380

Base unit
80 cm

Installation type



Features

- cut-out dimensions: 750 x 490 mm
- material: SilicaTec
- number of bowls: 1 main bowl and 1 additional bowl
- tap hole for drilling is predefined (see scale drawing)
- cabinet size: 80 cm
- type of installation: topmount
- position overflow: on the right side of the main bowl
- sink depth: 190 mm
- depth half sink: 140 mm
- waste set not included – please order one waste set from the required parts

Necessary accessories

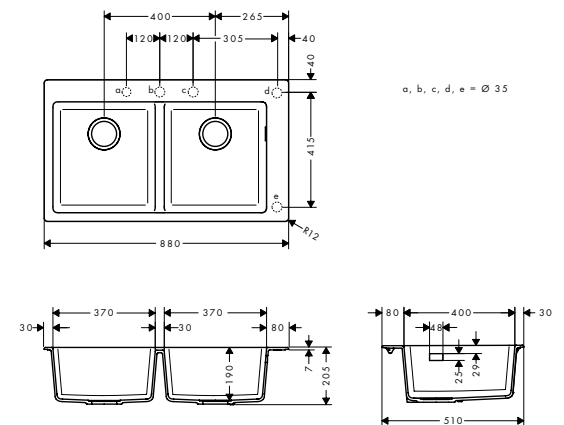
- # 43928XXX D17-10 Manual waste and overflow set for double bowl granite
- # 43938XXX D17-11 Automatic waste and overflow set for double bowl granite



S51
S510-F770 Built-in sink 370/370
43316, -170, -290, -380

Base unit
90 cm

Installation type

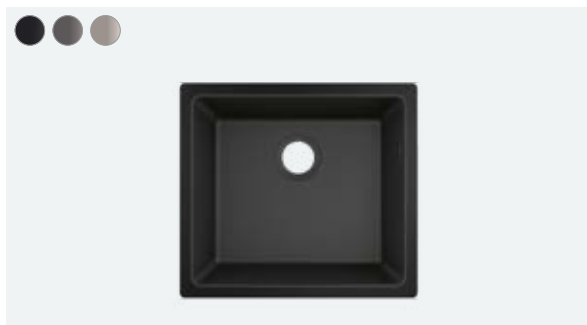


Features

- cut-out dimensions: 860 x 490 mm
- material: SilicaTec
- number of bowls: 2 main bowls
- tap hole for drilling is predefined (see scale drawing)
- cabinet size: 90 cm
- type of installation: topmount
- position overflow: on the right side of the bowl
- sink depth: 190 mm
- waste set not included – please order one waste set from the required parts

Necessary accessories

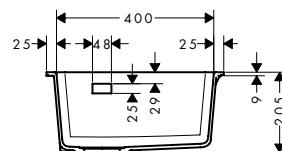
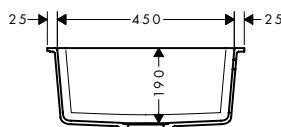
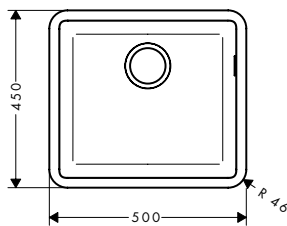
- # 43928XXX D17-10 Manual waste and overflow set for double bowl granite
- # 43938XXX D17-11 Automatic waste and overflow set for double bowl granite



S51
S510-U450 Under-mount sink 450
43431, -170, -290, -380

Base unit
60 cm

Installation type



Features

- cut-out dimensions: 448 x 398 mm
- material: SilicaTec
- number of bowls: 1 main bowl
- cabinet size: 60 cm
- type of installation: undermount
- position overflow: on the right side of the bowl
- sink depth: 190 mm
- waste set not included – please order one waste set from the required parts

Necessary accessories

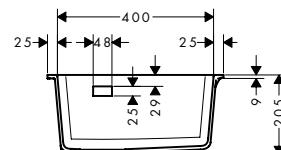
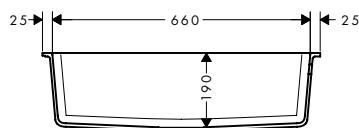
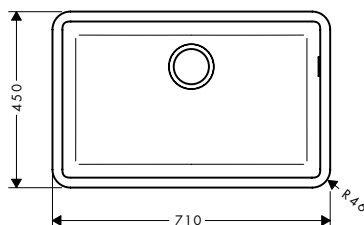
- # 43927XXX D16-10 Manual waste and overflow set for single bowl granite
- # 43937XXX D16-11 Automatic waste and overflow set for single bowl granite



S51
S510-U660 Under-mount sink 660
43432, -170, -290, -380

Base unit
80 cm

Installation type



Features

- cut-out dimensions: 658 x 398 mm
- material: SilicaTec
- number of bowls: 1 main bowl
- cabinet size: 80 cm
- type of installation: undermount
- position overflow: on the right side of the bowl
- sink depth: 190 mm
- waste set not included – please order one waste set from the required parts

Necessary accessories

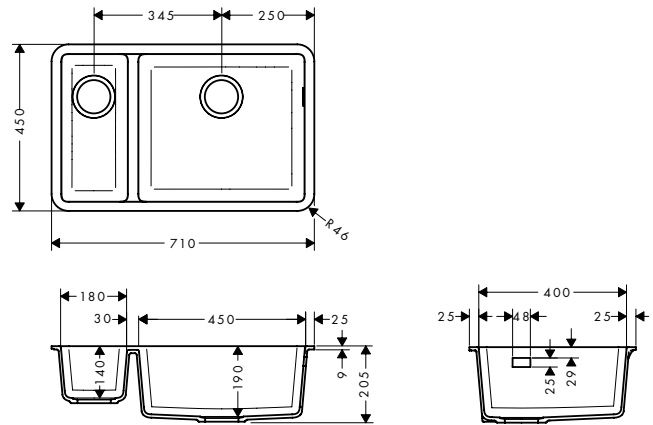
- # 43927XXX D16-10 Manual waste and overflow set for single bowl granite
- # 43937XXX D16-11 Automatic waste and overflow set for single bowl granite



S51
S510-U635 Under-mount sink 180/450
43433, -170, -290, -380

Base unit
80 cm

Installation type



Features

- cut-out dimensions: 658 x 398 mm
- material: SilicaTec
- number of bowls: 1 main bowl and 1 additional bowl
- cabinet size: 80 cm
- type of installation: undermount
- position overflow: on the right side of the main bowl
- sink depth: 190 mm
- depth half sink: 140 mm
- waste set not included – please order one waste set from the required parts

Necessary accessories

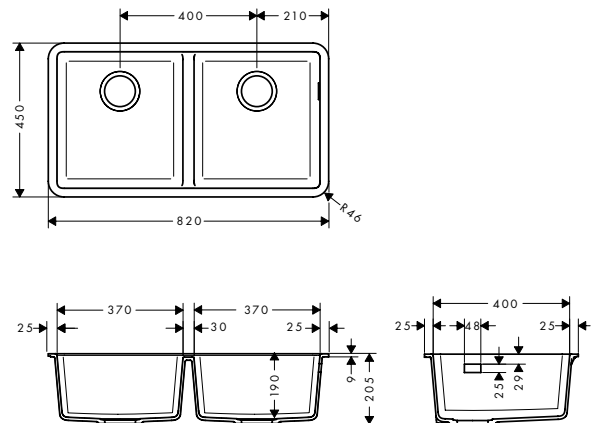
- # 43928XXX D17-10 Manual waste and overflow set for double bowl granite
- # 43938XXX D17-11 Automatic waste and overflow set for double bowl granite



S51
S510-U770 Under-mount sink 370/370
43434, -170, -290, -380

Base unit
90 cm

Installation type



Features

- cut-out dimensions: 768 x 398 mm
- material: SilicaTec
- number of bowls: 2 main bowls
- cabinet size: 90 cm
- type of installation: undermount
- position overflow: on the right side of the bowl
- sink depth: 190 mm
- waste set not included – please order one waste set from the required parts

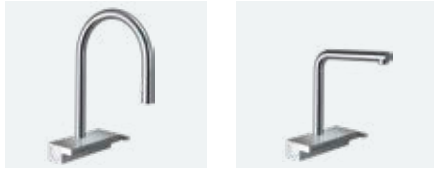
Necessary accessories

- # 43938XXX D17-11 Automatic waste and overflow set for double bowl granite
- # 43928XXX D17-10 Manual waste and overflow set for double bowl granite

hansgrohe Kitchen taps

Product ranges at a glance

Aquno Select M81



Metris Select M71



Surface	-000, -670, -800	-000, -670, -800	-000, -340, -670, -800	-000, -800	-000, -800
Standard	■	■	■	■	■
EcoSmart					
sBox	■	■	■	■	■
For window installation					
Low pressure/open water heater					
Device shut-off valve					
CoolStart					
Multiple spray types	■	■	■		■
Pull-out function	■	■	■	■	■
Swivelling tap	■	■	■	■	■
Select	■	■	■	■	■

Page 52

Page 56

Talis Select M51



Talis M51



Surface	-000, -800	-000, -800	-000, -800	-000, -800	-000, -800
Standard	■	■	■	■	■
EcoSmart		■	■	■	■
sBox	■	■		■	
For window installation					
Low pressure/open water heater					■
Device shut-off valve					■
CoolStart					
Multiple spray types	■			■	
Pull-out function	■	■		■	
Swivelling tap	■	■	■	■	■
Select	■	■	■		

Page 70

Page 76

Metris M71



-000, -800

-000, -800

-000, -800

-000, -800

-000, -800

■	■	■	■	■
■	■	■	■	■
■		■		■
				■
				■
■		■		
■	■	■	■	■
■	■			

Page 64

Talis M52



-000, -800

-000, -800

Talis M54



-000, -670, -800

-000, -670, -800

-000, -670, -800

-000, -670, -800

■	■	■	■	■	■
■	■	■	■	■	■
■		■		■	
■				■	■
				■	■
■		■			
■	■	■	■	■	■
■	■				

Page 80

Page 84

hansgrohe Kitchen taps

Product ranges at a glance

Talis M54



Surface	-000, -670, -800	-000, -670, -800
Standard	■	■
EcoSmart	■	
sBox	■	
For window installation		
Low pressure/open water heater		
Device shut-off valve		■
CoolStart		
Multiple spray types		
Pull-out function	■	
Swivelling tap	■	■
Select		

Page 84

Focus M41



Surface	-000, -800	-000, -670, -800	-000, -670, -800
Standard	■	■	■
EcoSmart	■	■	■
sBox	■		
For window installation			
Low pressure/open water heater		■	
Device shut-off valve		■	
CoolStart			
Multiple spray types	■		
Pull-out function	■		
Swivelling tap	■	■	■
Select			

Page 92

Zesis M33



Surface	-000, -670, -800	-000, -670, -800
Standard	■	■
EcoSmart		■
sBox		
For window installation		■
Low pressure/open water heater		■
Device shut-off valve		■
CoolStart		■
Multiple spray types	■	
Pull-out function	■	
Swivelling tap	■	■
Select		

Page 108

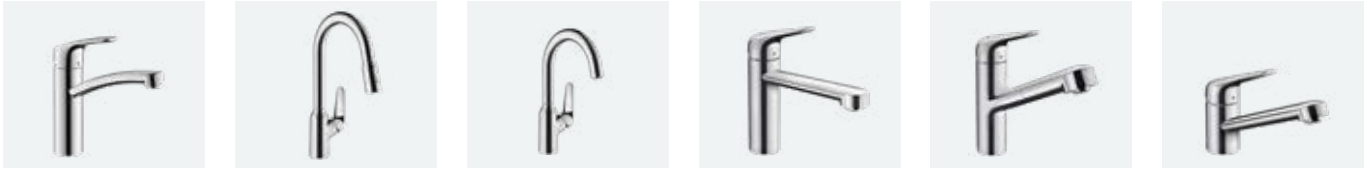
Logis M31



Surface	-000	-000	-000
Standard	■	■	■
EcoSmart	■		■
sBox			
For window installation			■
Low pressure/open water heater			
Device shut-off valve			■
CoolStart			■
Multiple spray types			
Pull-out function			
Swivelling tap	■	■	■
Select			

Page 114

Focus M42



-000, -800

-000, -800

-000, -800

-000, -800

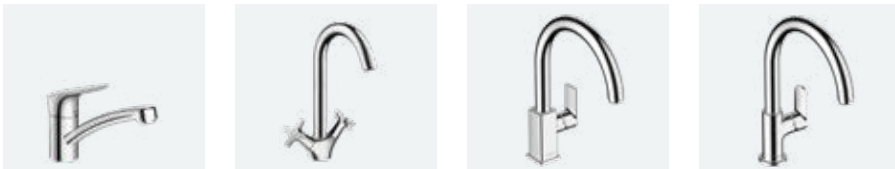
-000, -800

-000, -800

<input type="checkbox"/>	<input type="checkbox"/>	<input type="checkbox"/>	<input type="checkbox"/>	<input type="checkbox"/>	<input type="checkbox"/>
<input type="checkbox"/>	<input type="checkbox"/>	<input type="checkbox"/>	<input type="checkbox"/>	<input type="checkbox"/>	<input type="checkbox"/>
<input type="checkbox"/>	<input type="checkbox"/>	<input type="checkbox"/>	<input type="checkbox"/>	<input type="checkbox"/>	<input type="checkbox"/>
<input type="checkbox"/>	<input type="checkbox"/>	<input type="checkbox"/>	<input type="checkbox"/>	<input type="checkbox"/>	<input type="checkbox"/>
<input type="checkbox"/>	<input type="checkbox"/>	<input type="checkbox"/>	<input type="checkbox"/>	<input type="checkbox"/>	<input type="checkbox"/>
<input type="checkbox"/>	<input type="checkbox"/>	<input type="checkbox"/>	<input type="checkbox"/>	<input type="checkbox"/>	<input type="checkbox"/>
<input type="checkbox"/>	<input type="checkbox"/>	<input type="checkbox"/>	<input type="checkbox"/>	<input type="checkbox"/>	<input type="checkbox"/>
<input type="checkbox"/>	<input type="checkbox"/>	<input type="checkbox"/>	<input type="checkbox"/>	<input type="checkbox"/>	<input type="checkbox"/>
<input type="checkbox"/>	<input type="checkbox"/>	<input type="checkbox"/>	<input type="checkbox"/>	<input type="checkbox"/>	<input type="checkbox"/>
<input type="checkbox"/>	<input type="checkbox"/>	<input type="checkbox"/>	<input type="checkbox"/>	<input type="checkbox"/>	<input type="checkbox"/>

Logis M32

Vernis M35



-000

-000

-000, -670

-000, -670

<input type="checkbox"/>	<input type="checkbox"/>	<input type="checkbox"/>	<input type="checkbox"/>
<input type="checkbox"/>	<input type="checkbox"/>	<input type="checkbox"/>	<input type="checkbox"/>
<input type="checkbox"/>	<input type="checkbox"/>	<input type="checkbox"/>	<input type="checkbox"/>
<input type="checkbox"/>	<input type="checkbox"/>	<input type="checkbox"/>	<input type="checkbox"/>
<input type="checkbox"/>	<input type="checkbox"/>	<input type="checkbox"/>	<input type="checkbox"/>
<input type="checkbox"/>	<input type="checkbox"/>	<input type="checkbox"/>	<input type="checkbox"/>
<input type="checkbox"/>	<input type="checkbox"/>	<input type="checkbox"/>	<input type="checkbox"/>
<input type="checkbox"/>	<input type="checkbox"/>	<input type="checkbox"/>	<input type="checkbox"/>
<input type="checkbox"/>	<input type="checkbox"/>	<input type="checkbox"/>	<input type="checkbox"/>
<input type="checkbox"/>	<input type="checkbox"/>	<input type="checkbox"/>	<input type="checkbox"/>

Work intelligently in the kitchen

Aquno Select M81



Multitasking made easy with the multifunction filter: Tailored perfectly to the dimensions of the splash-free SatinFlow spray, the included multifunctional filter makes it easy to gently wash and rinse food.



Pull out and switch spray types: Your customers get even more functionality with the pull-out spray. In combination with the innovative sBox, it extends the working radius at the sink by up to 76 cm. There's also the choice of different spray types.

Advantages and benefits

- The flat SatinFlow spray is ideal for rinsing food, hand washing and cleaning large objects without splashing, all at an economical 4 l/min
- All-in-one design with efficient water usage
- Multifunction filter included
- Easy installation on standard 35 mm tap hole
- The Aquno Select M81 can be installed on all single sinks. On double sinks, the positioning of the centre bar may interrupt the satinflow spray, therefore installation must be assessed separately
- Extend the operating radius by up to 76 cm with the pull-out spout and sBox



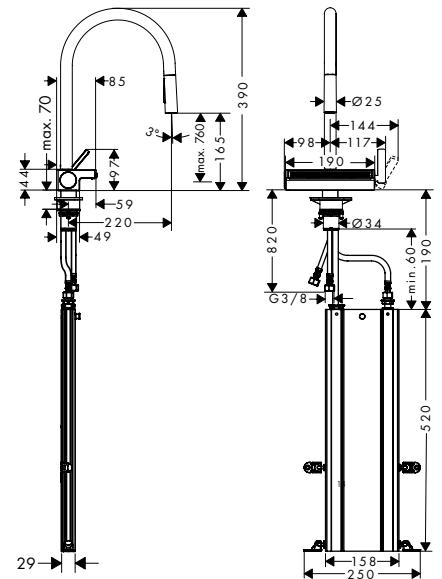
Aquano Select M81

Single lever kitchen mixer 170, pull-out spray, 3jet, sBox
73831, -000, -670, -800



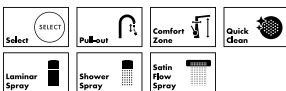
Features

- consists of: single lever kitchen mixer, hose box, multifunctional strainer
- ComfortZone 170
- swivel range adjustable in 3 steps 60°, 110° or 150°
- laminar spray, shower spray, SatinFlow
- change between SatinFlow and pull-out spray at the touch of a button
- lockable shower spray, spray returns through pressing spray diverter
- MagFit magnetic shower support
- connection dimension: DN15
- maximum flow rate at 3 bar: 6 l/min
- ceramic cartridge
- connection type: G 3/8 connections
- integrated non-return valve
- sBox for quiet, smooth and protected hose guidance in the cabinet, under the countertop
- tap hole with Ø 35 mm required, recommendation: the middle of tap hole drilling should be max. 45 mm from the back side of of the bowl



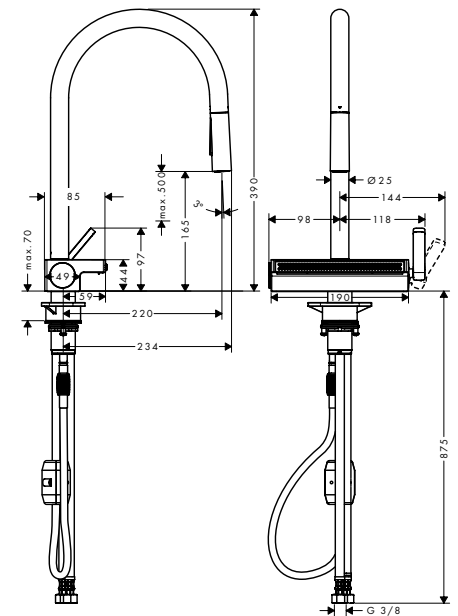
Aquano Select M81

Single lever kitchen mixer 170, pull-out spray, 3jet
73837, -000, -670, -800



Features

- consists of: single lever kitchen mixer, multifunctional strainer
- ComfortZone 170
- swivel range adjustable in 3 steps 60°, 110° or 150°
- laminar spray, shower spray, SatinFlow
- change between SatinFlow and pull-out spray at the touch of a button
- lockable shower spray, spray returns through pressing spray diverter
- MagFit magnetic shower support
- connection dimension: DN15
- maximum flow rate at 3 bar: 7 l/min
- ceramic cartridge
- connection type: G 3/8 connections
- integrated non-return valve
- tap hole with Ø 35 mm required, recommendation: the middle of tap hole drilling should be max. 45 mm from the back side of of the bowl

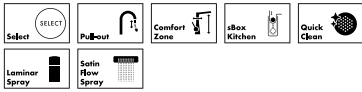




Aquano Select M81

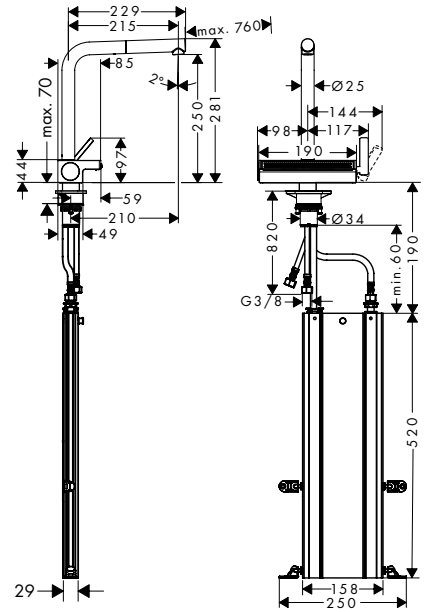
Single lever kitchen mixer 250, pull-out spout, 2jet, sBox

73830, -000, -670, -800



Features

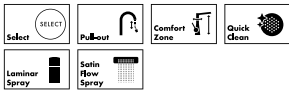
- consists of: single lever kitchen mixer, hose box, multifunctional strainer
- ComfortZone 250
- L-spout
- swivel range adjustable in 3 steps 60°, 110° or 150°
- laminar spray, SatinFlow
- change between SatinFlow and pull-out spout at the touch of a button
- MagFit magnetic shower support
- connection dimension: DN15
- maximum flow rate at 3 bar: 6 l/min
- ceramic cartridge
- connection type: G 3/8 connections
- integrated non-return valve
- sBox for quiet, smooth and protected hose guidance in the cabinet, under the countertop
- extension length up to 76 cm
- tap hole with Ø 35 mm required, recommendation: the middle of tap hole drilling should be max. 45 mm from the back side of the bowl



Aquano Select M81

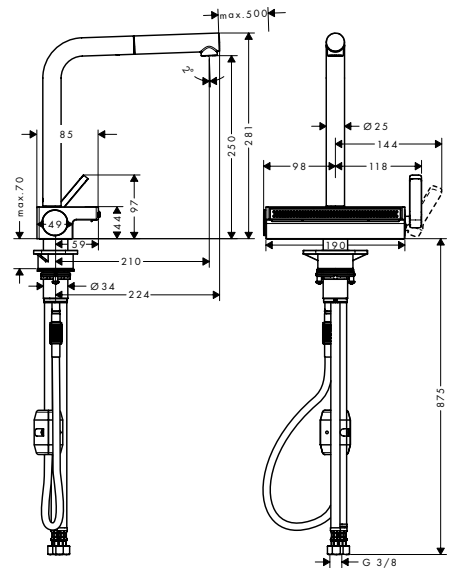
Single lever kitchen mixer 250, pull-out spout, 2jet

73836, -000, -670, -800



Features

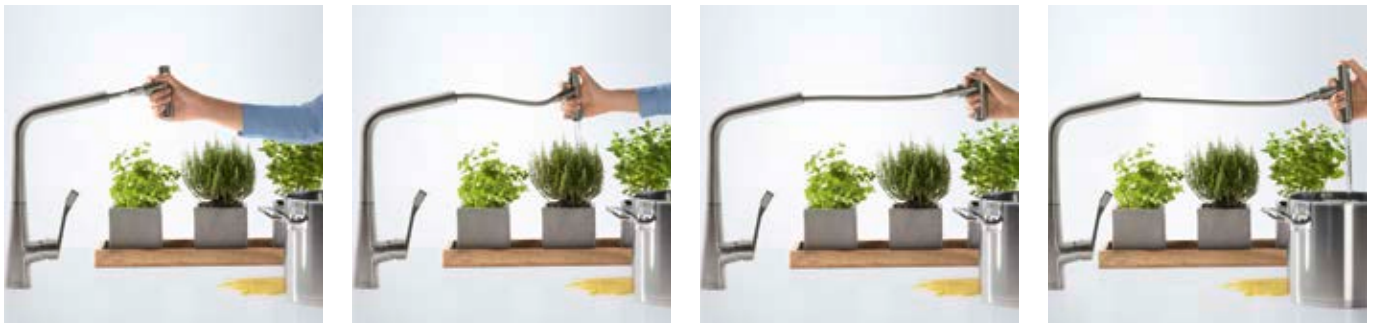
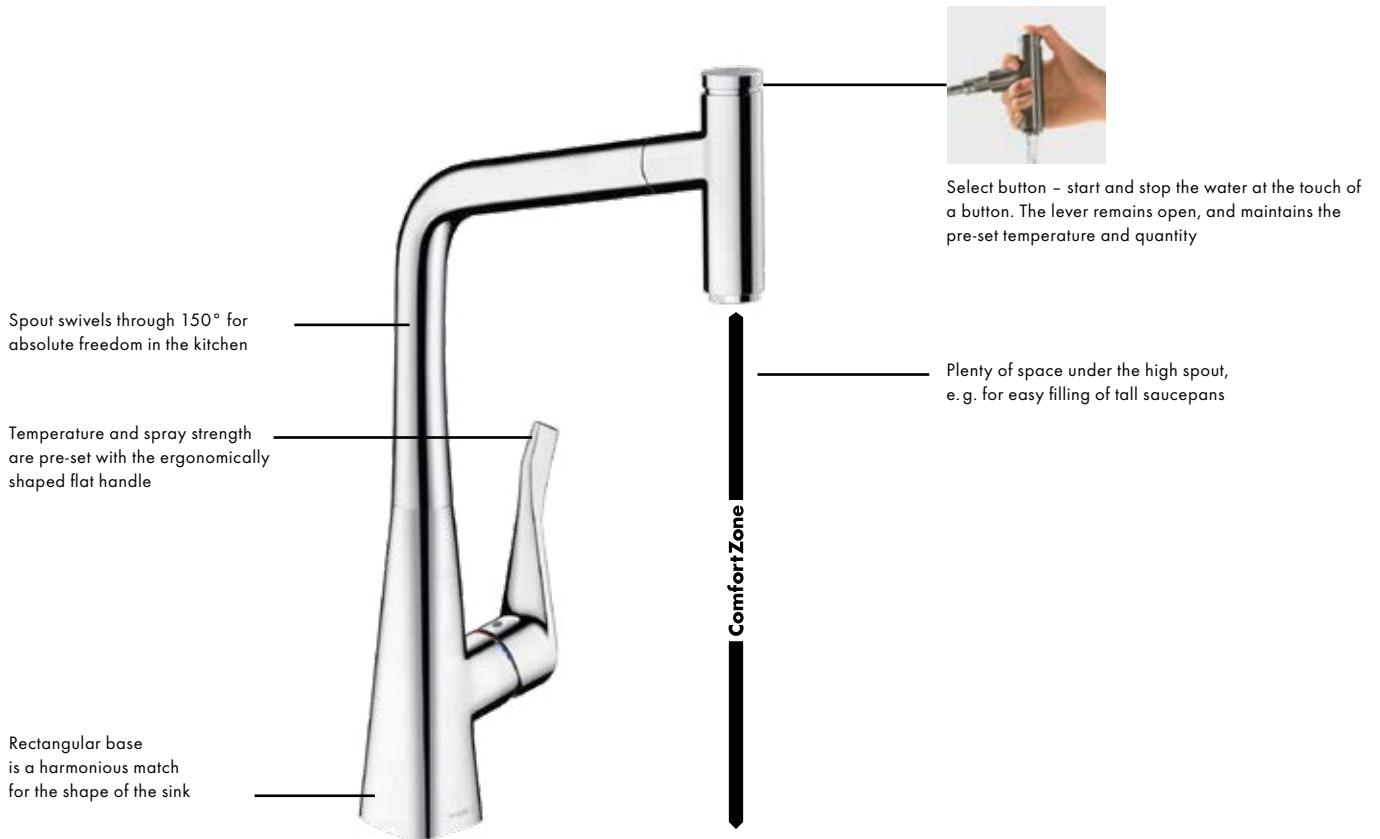
- consists of: single lever kitchen mixer, multifunctional strainer
- ComfortZone 250
- L-spout
- swivel range adjustable in 3 steps 60°, 110° or 150°
- laminar spray, SatinFlow
- change between SatinFlow and pull-out spout at the touch of a button
- MagFit magnetic shower support
- connection dimension: DN15
- maximum flow rate at 3 bar: 7 l/min
- ceramic cartridge
- connection type: G 3/8 connections
- integrated non-return valve
- tap hole with Ø 35 mm required, recommendation: the middle of tap hole drilling should be max. 45 mm from the back side of the bowl





Easy operation is the best recipe

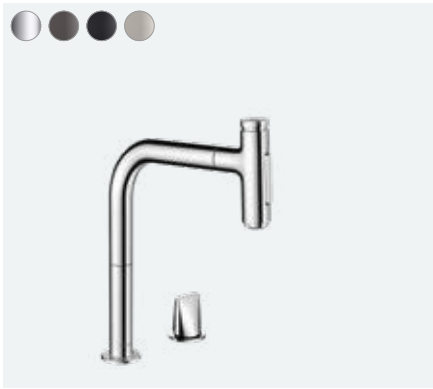
Metris M71



Flexible: Tasks blend seamlessly thanks to the combination of the intuitive Select button and the practical pull-out spout – for more comfort in the kitchen and beyond the sink. Extended working space with the help of the pull-out function and the sBox by up to 76 cm, and without the sBox by up to 50 cm.

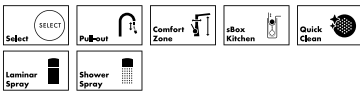
Advantages and benefits

- Mixer easy to turn on and off at the touch of a button
- Intuitive control concept makes it ideal for all ages
- New spray design for easy handling with no irritating twisting of the wrist
- Ergonomic flat handle design for better adjustment of the water temperature and quantity
- Integrates harmoniously into the kitchen and sink area
- Extend the operating radius by up to 76 cm with the pull-out spout and sBox



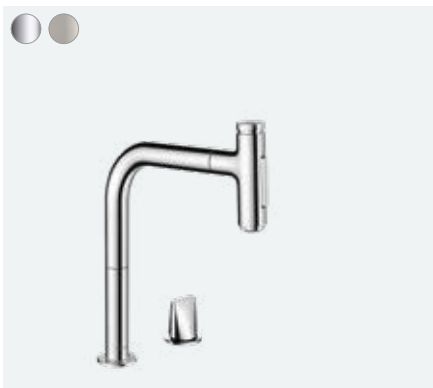
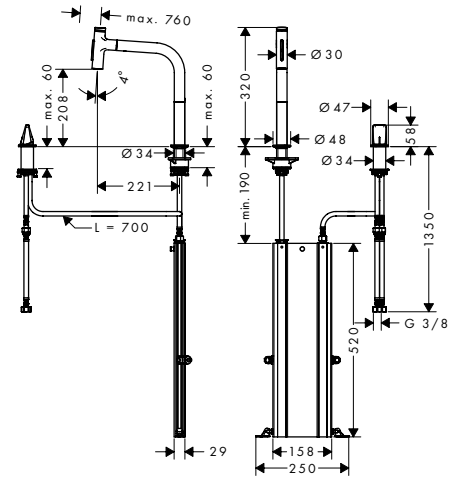
Metris Select M71

2-hole single lever kitchen mixer 200, pull-out spray, 2jet, sBox
73818, -000, -340, -670, -800



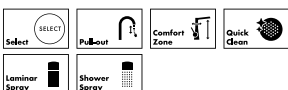
Features

- consists of: 2-hole single lever kitchen mixer, control unit, hose box
- ComfortZone 200
- swivel range adjustable in 2 steps to 110° or 150°
- flexible position of faucet controls, 2 tap holes with Ø 35 mm required
- laminar spray, shower spray
- lockable shower spray, spray returns through pressing spray diverter and spray returns automatically through handle closing
- Select button for a comfortable start/stop of the water flow
- MagFit magnetic shower support
- connection dimension: DN15
- maximum flow rate at 3 bar: 8 l/min
- ceramic cartridge
- connection type: G 3/8 connections
- integrated non-return valve
- suitable for continuous flow water heaters
- sBox for quiet, smooth and protected hose guidance in the cabinet, under the countertop
- extension length up to 76 cm



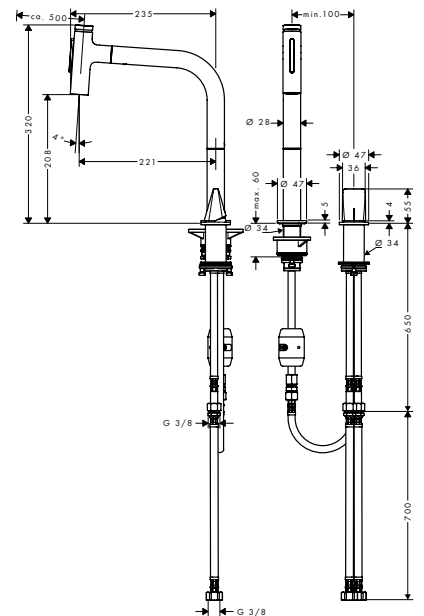
Metris Select M71

2-hole single lever kitchen mixer 200, pull-out spray, 2jet
73819, -000, -800



Features

- ComfortZone 200
- swivel range adjustable in 2 steps to 110° or 150°
- flexible position of faucet controls, 2 tap holes with Ø 35 mm required
- laminar spray, shower spray
- lockable shower spray, spray returns through pressing spray diverter and spray returns automatically through handle closing
- Select button for a comfortable start/stop of the water flow
- MagFit magnetic shower support
- connection dimension: DN15
- maximum flow rate at 3 bar: 6,8 l/min
- ceramic cartridge
- connection type: G 3/8 connections
- integrated non-return valve
- suitable for continuous flow water heaters



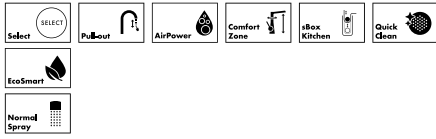
**Metris Select M71**

2-hole single lever kitchen mixer 200, pull-out spout,
1jet, sBox

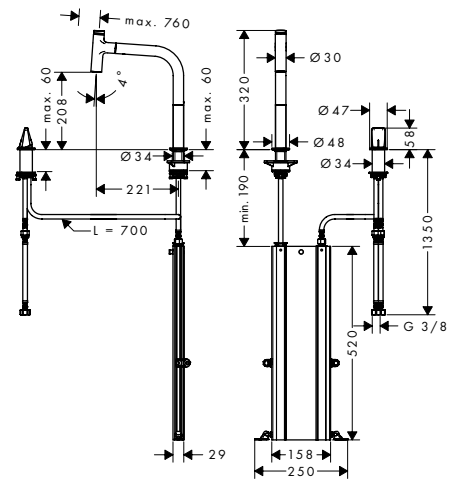
73804, -000, -800

2-hole single lever kitchen mixer 200, Eco, pull-out
spout, 1jet, sBox

73825, -000

**Features**

- consists of: 2-hole single lever kitchen mixer, control unit, hose box
- ComfortZone 200
- swivel range adjustable in 2 steps to 110° or 150°
- flexible position of faucet controls, 2 tap holes with Ø 35 mm required
- normal spray
- Select button for a comfortable start/stop of the water flow
- MagFit magnetic shower support
- connection dimension: DN15
- maximum flow rate at 3 bar: 8 l/min
- ceramic cartridge
- connection type: G 3/8 connections
- integrated non-return valve
- suitable for continuous flow water heaters
- sBox for quiet, smooth and protected hose guidance in the cabinet, under the countertop

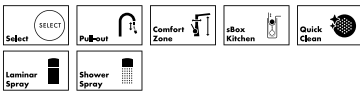




Metris Select M71

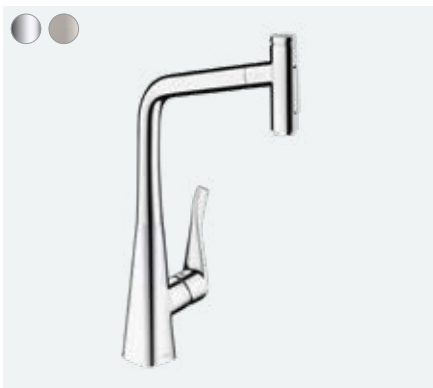
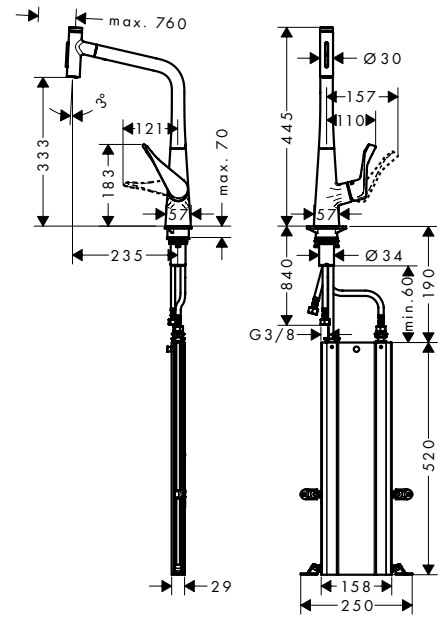
Single lever kitchen mixer 320, pull-out spray, 2jet, sBox

73816, -000, -800



Features

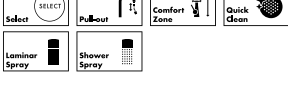
- consists of: single lever kitchen mixer, hose box
- ComfortZone 320
- swivel range adjustable in 2 steps to 110° or 150°
- laminar spray, shower spray
- lockable shower spray, spray returns through pressing spray diverter and spray returns automatically through handle closing
- Select button for a comfortable start/stop of the water flow
- MagFit magnetic shower support
- connection dimension: DN15
- maximum flow rate at 3 bar: 8 l/min
- ceramic cartridge
- connection type: G 3/8 connections
- temperature limitation adjustable
- integrated non-return valve
- suitable for continuous flow water heaters
- sBox for quiet, smooth and protected hose guidance in the cabinet, under the countertop
- extension length up to 76 cm
- tap hole with Ø 35 mm required



Metris Select M71

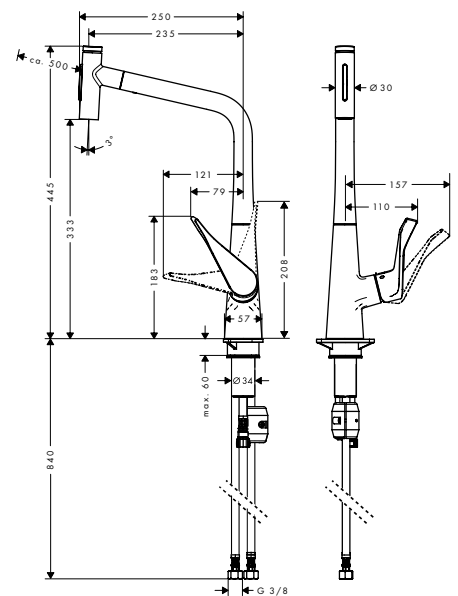
Single lever kitchen mixer 320, pull-out spray, 2jet, sBox

73820, -000, -800



Features

- ComfortZone 320
- swivel range adjustable in 2 steps to 110° or 150°
- laminar spray, shower spray
- lockable shower spray, spray returns through pressing spray diverter and spray returns automatically through handle closing
- Select button for a comfortable start/stop of the water flow
- MagFit magnetic shower support
- connection dimension: DN15
- maximum flow rate at 3 bar: 7,7 l/min
- ceramic cartridge
- connection type: G 3/8 connections
- temperature limitation adjustable
- integrated non-return valve
- suitable for continuous flow water heaters





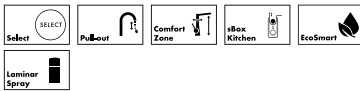
Metris Select M71

Single lever kitchen mixer 320, pull-out spout, 1jet, sBox

73803, -000, -800

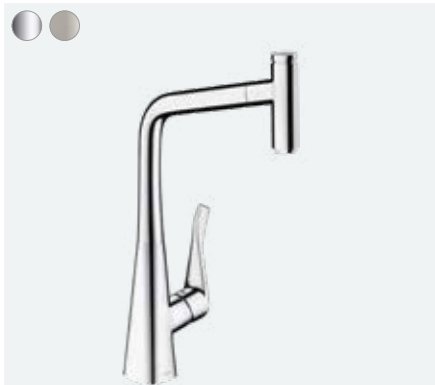
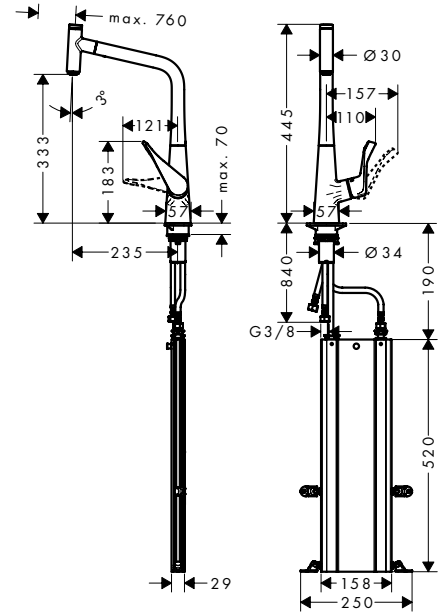
Single lever kitchen mixer 320, Eco, pull-out spout, 1jet, sBox

73807, -000



Features

- consists of: single lever kitchen mixer, hose box
- ComfortZone 320
- swivel range adjustable in 2 steps to 110° or 150°
- laminar spray
- Select button for a comfortable start/stop of the water flow
- MagFit magnetic shower support
- connection dimension: DN15
- maximum flow rate at 3 bar: 8 l/min
- ceramic cartridge
- connection type: G 3/8 connections
- temperature limitation adjustable
- integrated non-return valve
- suitable for continuous flow water heaters
- sBox for quiet, smooth and protected hose guidance in the cabinet, under the countertop
- extension length up to 76 cm
- significantly reduced splashing by soft start of the water flow



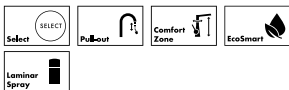
Metris Select M71

Single lever kitchen mixer 320, pull-out spout, 1jet

14884, -000, -800

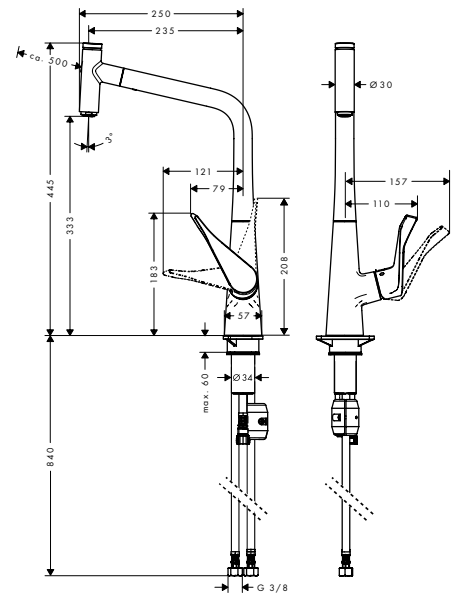
Single lever kitchen mixer 320, Eco, pull-out spout, 1jet

14786, -000



Features

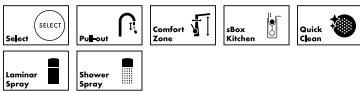
- ComfortZone 320
- swivel range adjustable in 2 steps to 110° or 150°
- laminar spray
- Select button for a comfortable start/stop of the water flow
- MagFit magnetic shower support
- connection dimension: DN15
- maximum flow rate at 3 bar: 8 l/min
- ceramic cartridge
- connection type: G 3/8 connections
- temperature limitation adjustable
- integrated non-return valve
- suitable for continuous flow water heaters
- significantly reduced splashing by soft start of the water flow





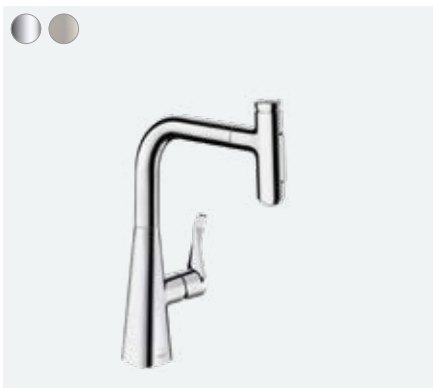
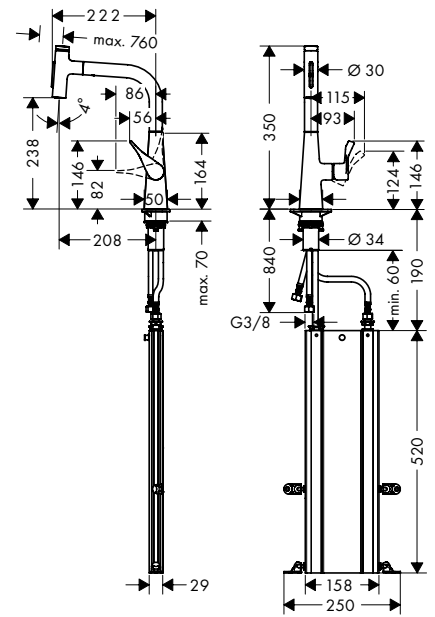
Metris Select M71

Single lever kitchen mixer 240, pull-out spray, 2jet, sBox
73817, -000, -800



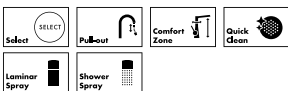
Features

- consists of: single lever kitchen mixer, hose box
- ComfortZone 240
- L-spout
- swivel range adjustable in 2 steps to 110° or 150°
- laminar spray, shower spray
- lockable shower spray, spray returns through pressing spray diverter and spray returns automatically through handle closing
- Select button for a comfortable start/stop of the water flow
- MagFit magnetic shower support
- connection dimension: DN15
- maximum flow rate at 3 bar: 7 l/min
- ceramic cartridge
- connection type: G 3/8 connections
- temperature limitation adjustable
- integrated non-return valve
- suitable for continuous flow water heaters
- sBox for quiet, smooth and protected hose guidance in the cabinet, under the countertop
- extension length up to 76 cm



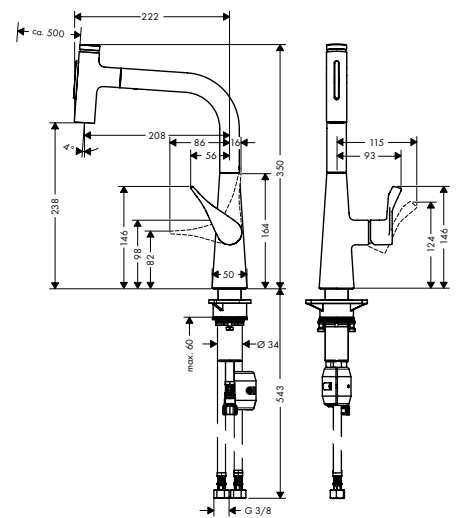
Metris Select M71

Single lever kitchen mixer 240, pull-out spray, 2jet
73822, -000, -800



Features

- ComfortZone 240
- L-spout
- swivel range adjustable in 2 steps to 110° or 150°
- laminar spray, shower spray
- lockable shower spray, spray returns through pressing spray diverter and spray returns automatically through handle closing
- Select button for a comfortable start/stop of the water flow
- MagFit magnetic shower support
- connection dimension: DN15
- maximum flow rate at 3 bar: 7,3 l/min
- ceramic cartridge
- connection type: G 3/8 connections
- temperature limitation adjustable
- integrated non-return valve
- suitable for continuous flow water heaters

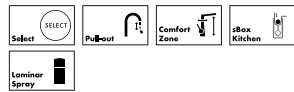




Metris Select M71

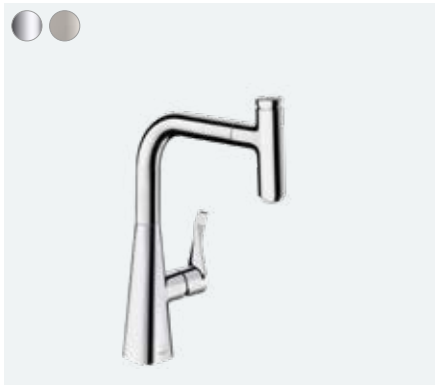
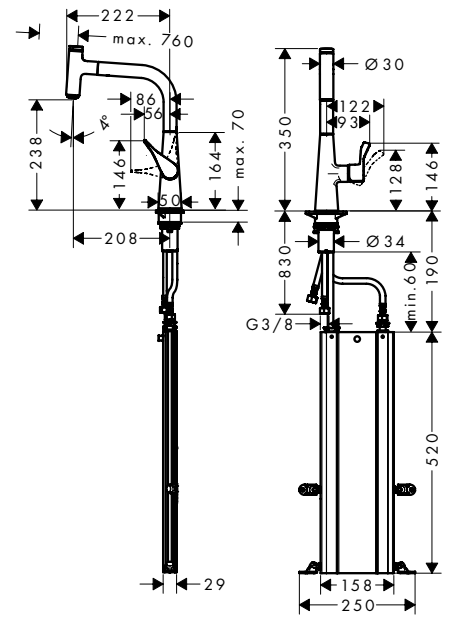
Single lever kitchen mixer 240, pull-out spout, 1jet, sBox

73802, -000, -800



Features

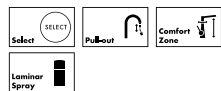
- consists of: single lever kitchen mixer, hose box
- ComfortZone 240
- swivel range adjustable in 2 steps to 110° or 150°
- laminar spray
- Select button for a comfortable start/stop of the water flow
- MagFit magnetic shower support
- connection dimension: DN15
- maximum flow rate at 3 bar: 7 l/min
- ceramic cartridge
- connection type: G 3/8 connections
- temperature limitation adjustable
- integrated non-return valve
- suitable for continuous flow water heaters
- sBox for quiet, smooth and protected hose guidance in the cabinet, under the countertop
- extension length up to 76 cm
- significantly reduced splashing by soft start of the water flow



Metris Select M71

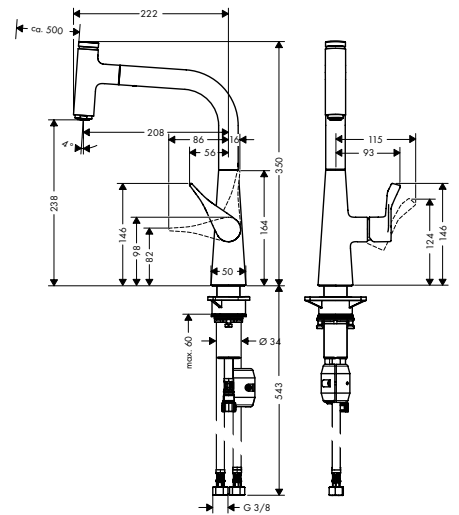
Single lever kitchen mixer 240, pull-out spout, 1jet

14857, -000, -800



Features

- ComfortZone 240
- swivel range adjustable in 2 steps to 110° or 150°
- laminar spray
- Select button for a comfortable start/stop of the water flow
- MagFit magnetic shower support
- connection dimension: DN15
- maximum flow rate at 3 bar: 8 l/min
- ceramic cartridge
- connection type: G 3/8 connections
- temperature limitation adjustable
- integrated non-return valve
- suitable for continuous flow water heaters
- significantly reduced splashing by soft start of the water flow

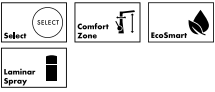




Metris Select M71

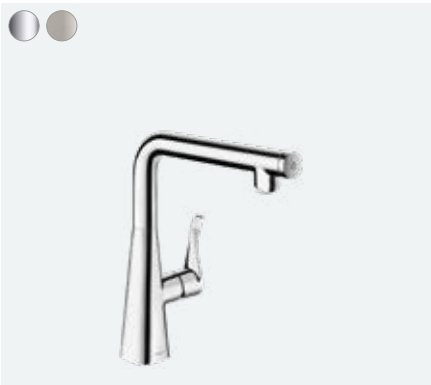
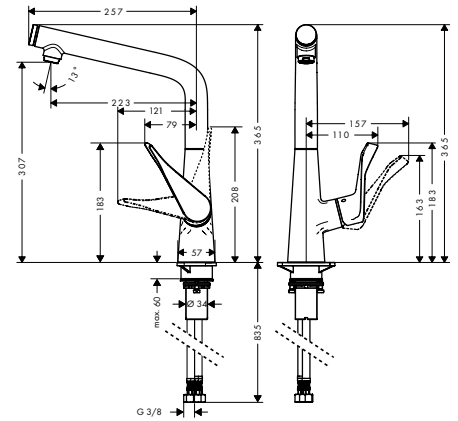
Single lever kitchen mixer 320, 1jet
14883, -000, -800

Single lever kitchen mixer 320, Eco, 1jet
14785, -000



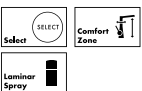
Features

- ComfortZone 320
- swivel range adjustable in 3 steps 110°, 150° or 360°
- laminar spray
- Select button for a comfortable start/stop of the water flow
- connection dimension: DN15
- maximum flow rate at 3 bar: 8 l/min
- ceramic cartridge
- connection type: G 3/8 connections
- temperature limitation adjustable
- integrated non-return valve
- suitable for continuous flow water heaters
- significantly reduced splashing by soft start of the water flow



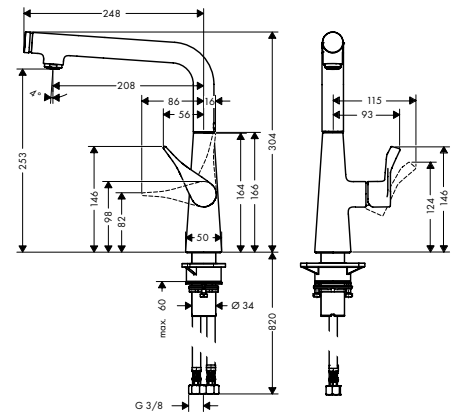
Metris Select M71

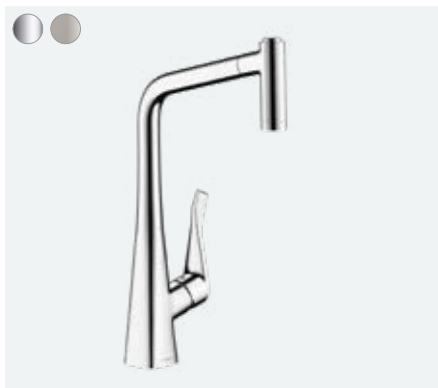
Single lever kitchen mixer 260, 1jet
14847, -000, -800



Features

- ComfortZone 260
- swivel range adjustable in 3 steps 110°, 150° or 360°
- laminar spray
- Select button for a comfortable start/stop of the water flow
- connection dimension: DN15
- maximum flow rate at 3 bar: 9 l/min
- ceramic cartridge
- connection type: G 3/8 connections
- temperature limitation adjustable
- integrated non-return valve
- suitable for continuous flow water heaters
- significantly reduced splashing by soft start of the water flow





Metris M71

Single lever kitchen mixer 320, pull-out spray, 2jet, sBox

73801, -000, -800

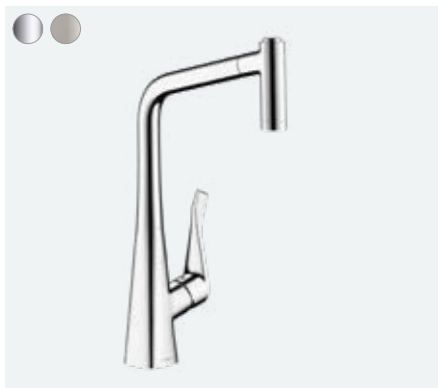
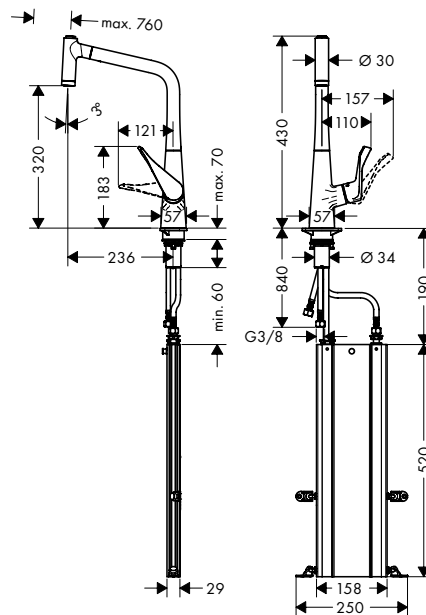
Single lever kitchen mixer 320, Eco, pull-out spray, 2jet, sBox

73824, -000



Features

- consists of: single lever kitchen mixer, hose box
- ComfortZone 320
- swivel range adjustable in 2 steps to 110° or 150°
- laminar spray, shower spray
- lockable shower spray, spray returns automatically through handle closing
- MagFit magnetic shower support
- connection dimension: DN15
- maximum flow rate at 3 bar: 10 l/min
- ceramic cartridge
- connection type: G 3/8 connections
- temperature limitation adjustable
- integrated non-return valve
- suitable for continuous flow water heaters
- sBox for quiet, smooth and protected hose guidance in the cabinet, under the countertop
- extension length up to 76 cm



Metris M71

Single lever kitchen mixer 320, pull-out spray, 2jet

14820, -000, -800

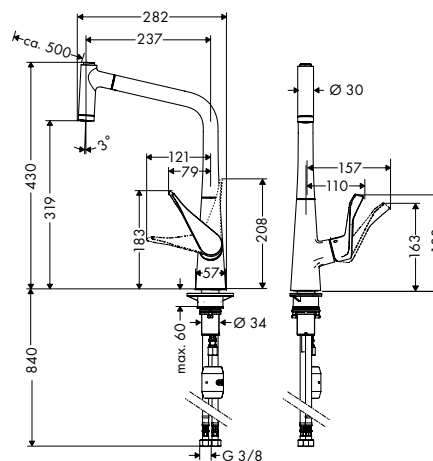
Single lever kitchen mixer 320, Eco, pull-out spray, 2jet

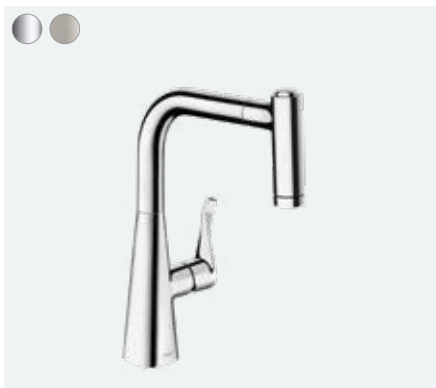
14780, -000



Features

- ComfortZone 320
- swivel range adjustable in 2 steps to 110° or 150°
- laminar spray, shower spray
- lockable shower spray, spray returns automatically through handle closing
- MagFit magnetic shower support
- quick connect hose
- connection dimension: DN15
- maximum flow rate at 3 bar: 10 l/min
- ceramic cartridge
- connection type: G 3/8 connections
- temperature limitation adjustable
- integrated non-return valve
- suitable for continuous flow water heaters





Metris M71

Single lever kitchen mixer 220, pull-out spray, 2jet, sBox

73800, -000, -800

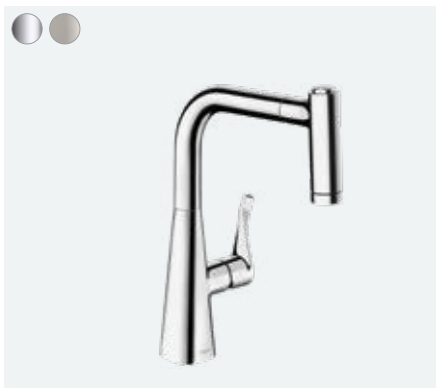
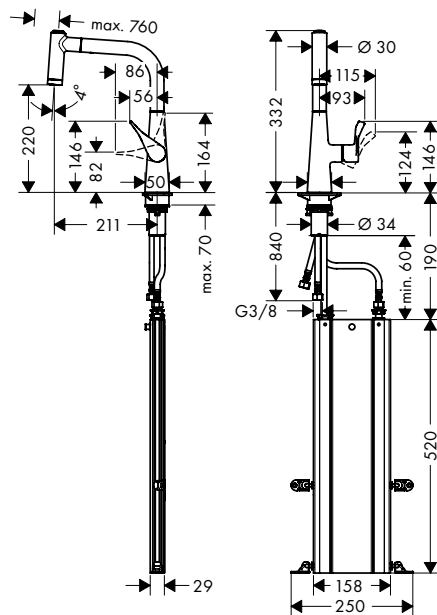
Single lever kitchen mixer 220, Eco, pull-out spray, 2jet, sBox

73823, -000



Features

- consists of: single lever kitchen mixer, hose box
- ComfortZone 220
- swivel range adjustable in 2 steps to 110° or 150°
- laminar spray, shower spray
- lockable shower spray, spray returns automatically through handle closing
- MagFit magnetic shower support
- connection dimension: DN15
- maximum flow rate at 3 bar: 9 l/min
- ceramic cartridge
- connection type: G 3/8 connections
- temperature limitation adjustable
- integrated non-return valve
- suitable for continuous flow water heaters
- sBox for quiet, smooth and protected hose guidance in the cabinet, under the countertop
- extension length up to 76 cm



Metris M71

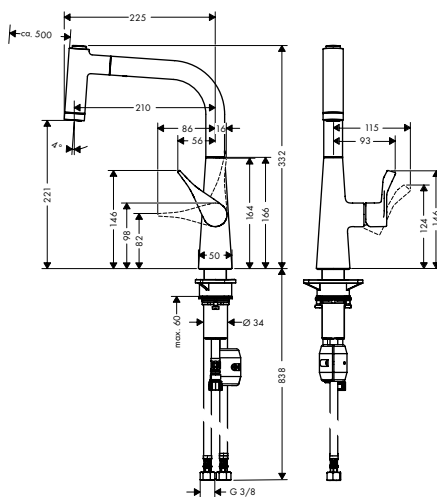
Single lever kitchen mixer 220, pull-out spray, 2jet, sBox

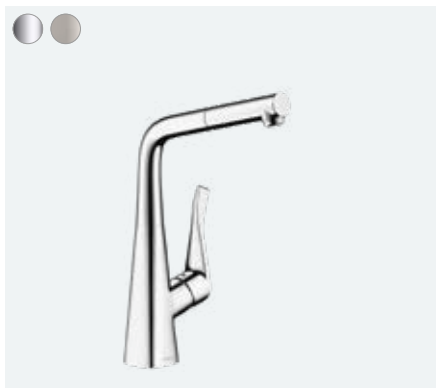
14834, -000, -800



Features

- ComfortZone 220
- swivel range adjustable in 2 steps to 110° or 150°
- laminar spray, shower spray
- lockable shower spray, spray returns automatically through handle closing
- MagFit magnetic shower support
- quick connect hose
- connection dimension: DN15
- maximum flow rate at 3 bar: 9 l/min
- ceramic cartridge
- connection type: G 3/8 connections
- temperature limitation adjustable
- integrated non-return valve
- suitable for continuous flow water heaters





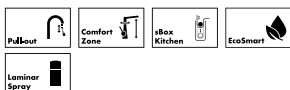
Metris M71

Single lever kitchen mixer 320, pull-out spout, 1jet, sBox

73812, -000, -800

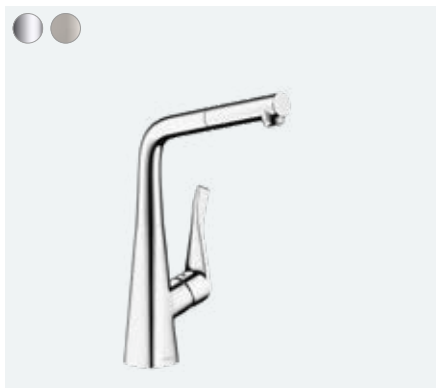
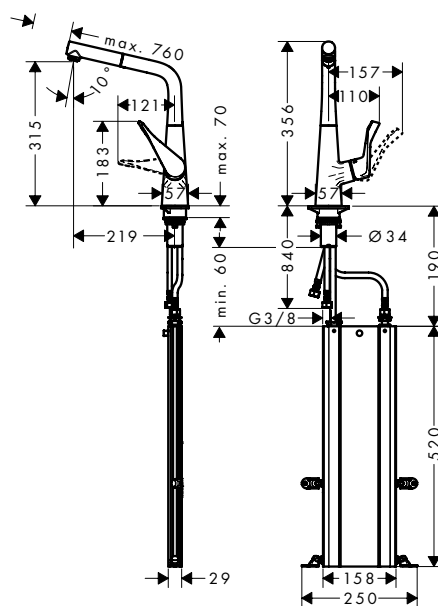
Single lever kitchen mixer 320, Eco, pull-out spout, 1jet, sBox

73828, -000



Features

- consists of: single lever kitchen mixer, hose box
- ComfortZone 320
- swivel range adjustable in 2 steps to 110° or 150°
- laminar spray
- MagFit magnetic shower support
- connection dimension: DN15
- maximum flow rate at 3 bar: 10 l/min
- ceramic cartridge
- connection type: G 3/8 connections
- temperature limitation adjustable
- integrated non-return valve
- suitable for continuous flow water heaters
- sBox for quiet, smooth and protected hose guidance in the cabinet, under the countertop
- extension length up to 76 cm
- significantly reduced splashing by soft start of the water flow



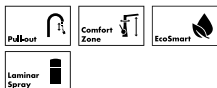
Metris M71

Single lever kitchen mixer 320, pull-out spout, 1jet

14821, -000, -800

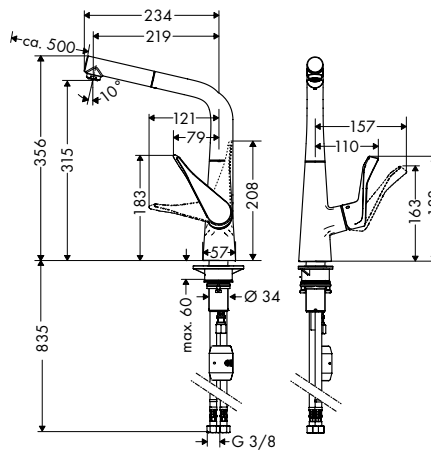
Single lever kitchen mixer 320, Eco, pull-out spout, 1jet

14781, -000



Features

- ComfortZone 320
- swivel range adjustable in 2 steps to 110° or 150°
- laminar spray
- MagFit magnetic shower support
- quick connect hose
- connection dimension: DN15
- maximum flow rate at 3 bar: 10 l/min
- ceramic cartridge
- connection type: G 3/8 connections
- temperature limitation adjustable
- integrated non-return valve
- suitable for continuous flow water heaters
- significantly reduced splashing by soft start of the water flow

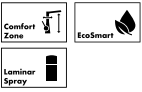




Metris M71

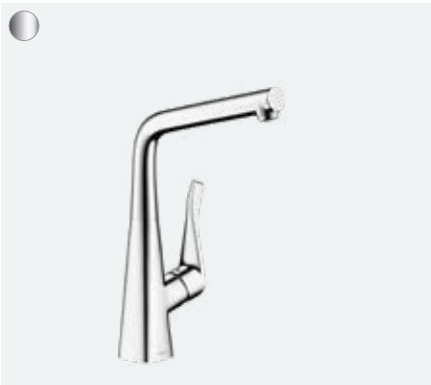
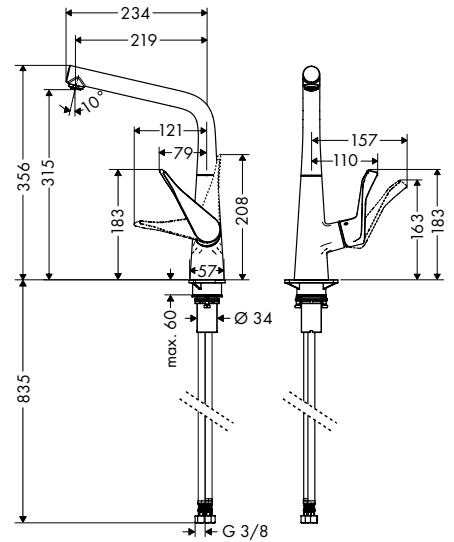
Single lever kitchen mixer 320, 1jet
14822, -000, -800

Single lever kitchen mixer 320, Eco, 1jet
14782, -000



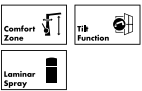
Features

- ComfortZone 320
- swivel range adjustable in 3 steps 110°, 150° or 360°
- laminar spray
- connection dimension: DN15
- maximum flow rate at 3 bar: 12 l/min
- ceramic cartridge
- connection type: G 3/8 connections
- temperature limitation adjustable
- suitable for continuous flow water heaters
- significantly reduced splashing by soft start of the water flow



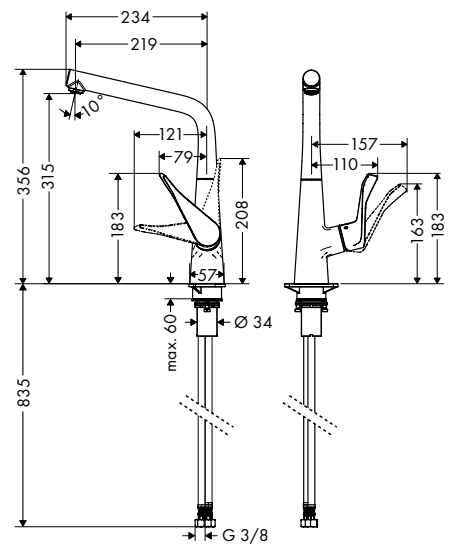
Metris M71

Single lever kitchen mixer 320, installation in front of a window, 1jet
14823, -000



Features

- ComfortZone 320
- swivel range adjustable in 3 steps 110°, 150° or 360°
- installation in front of the window, can be laid flat, base height 57 mm
- laminar spray
- connection dimension: DN15
- maximum flow rate at 3 bar: 12 l/min
- ceramic cartridge
- connection type: G 3/8 connections
- temperature limitation adjustable
- suitable for continuous flow water heaters
- significantly reduced splashing by soft start of the water flow





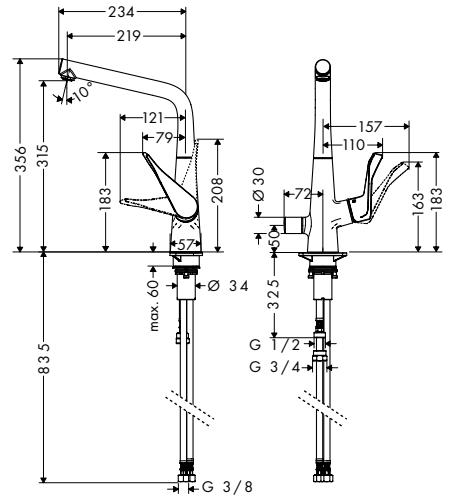
Metris M71

Single lever kitchen mixer 320, device shut-off valve, 1 jet
14888, -000



Features

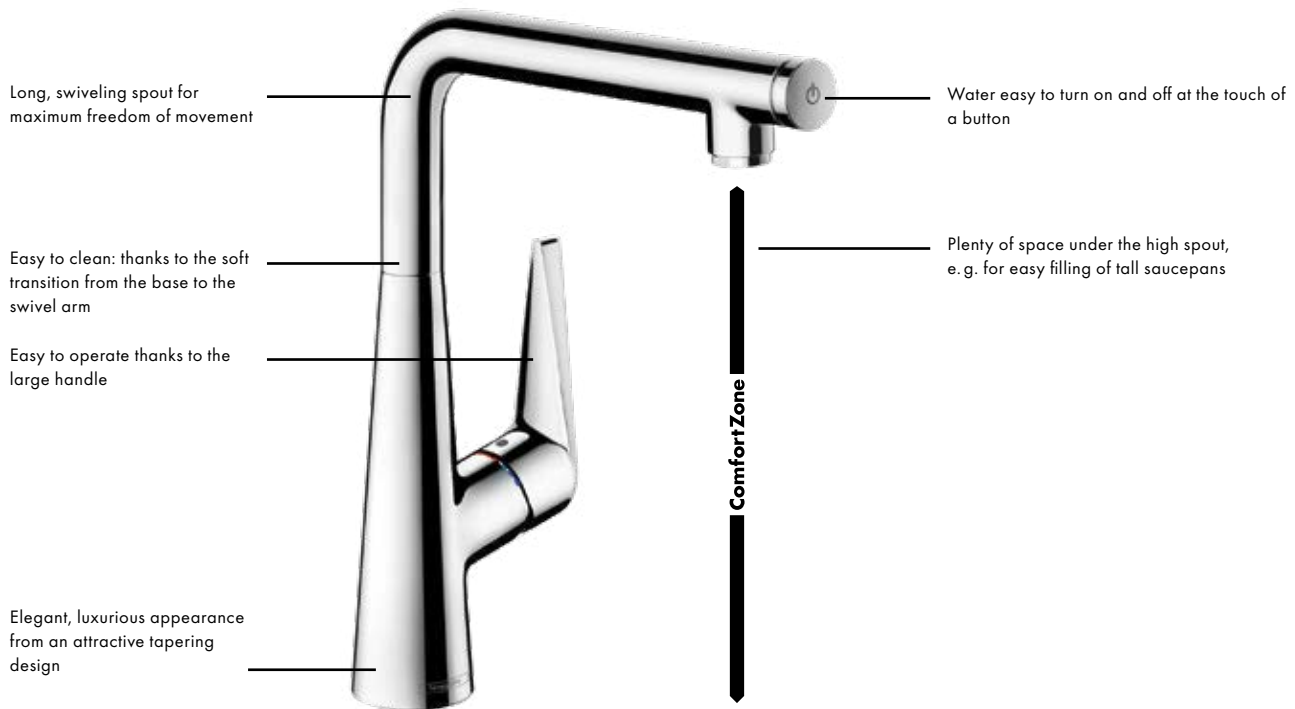
- ComfortZone 320
- swivel range adjustable in 3 steps 110°, 150° or 360°
- laminar spray
- with integrated shut-off valve
- connection dimension: DN15
- maximum flow rate at 3 bar: 13 l/min
- ceramic cartridge
- connection type: G 3/8 connections
- temperature limitation adjustable
- suitable for continuous flow water heaters
- significantly reduced splashing by soft start of the water flow





An all-rounder for the modern kitchen

Talis M51



Versatile: Even containers that are some distance away are easy to reach and fill without splashing thanks to the Select button and the pull-out hose – even with just one hand.



Robust: Whether on the pull-out spray or the 150° swivel spout, the Select button is purely mechanical, which makes it especially robust.

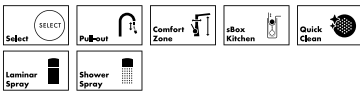
Advantages and benefits

- Select version with intuitive operation at the touch of a button
- Easy to clean: thanks to the large areas and precise transitions
- Select technology integrated harmoniously in the slender spout
- Two Select fittings available: with pull-out or swivel spout
- Conical basic shape radiates a luxurious elegance
- Greater range of up to 76 cm with the pull-out spout and sBox



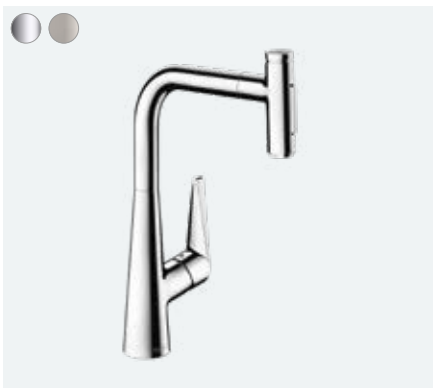
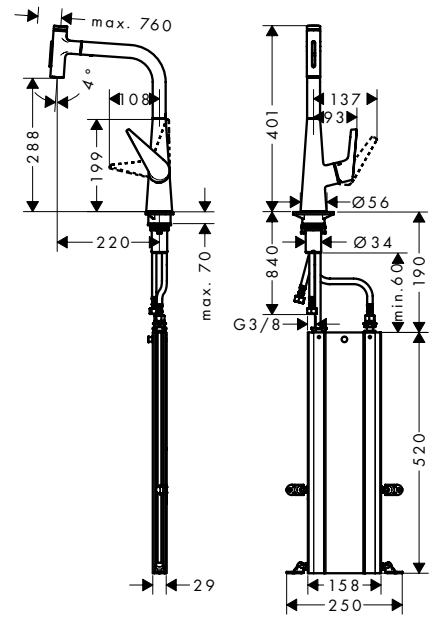
Talis Select M51

Single lever kitchen mixer 300, pull-out spray, 2jet, sBox
73867, -000, -800



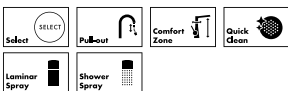
Features

- consists of: single lever kitchen mixer, hose box
- ComfortZone 300
- swivel range adjustable in 2 steps to 110° or 150°
- laminar spray, shower spray
- lockable shower spray, spray returns through pressing spray diverter and spray returns automatically through handle closing
- Select button for a comfortable start/stop of the water flow
- MagFit magnetic shower support
- connection dimension: DN15
- maximum flow rate at 3 bar: 8 l/min
- ceramic cartridge
- connection type: G 3/8 connections
- temperature limitation adjustable
- integrated non-return valve
- suitable for continuous flow water heaters
- sBox for quiet, smooth and protected hose guidance in the cabinet, under the countertop
- extension length up to 76 cm



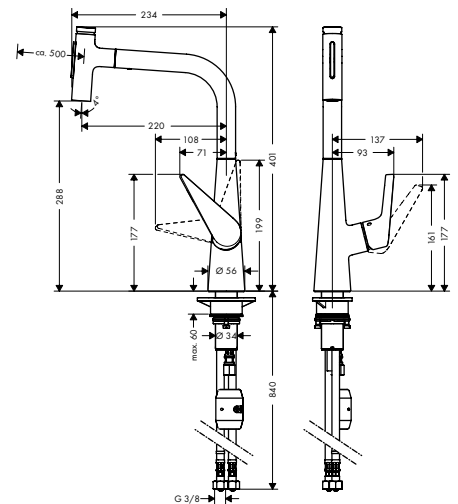
Talis Select M51

Single lever kitchen mixer 300, pull-out spray, 2jet
72823, -000, -800



Features

- ComfortZone 300
- swivel range adjustable in 2 steps to 110° or 150°
- laminar spray, shower spray
- lockable shower spray, spray returns through pressing spray diverter and spray returns automatically through handle closing
- Select button for a comfortable start/stop of the water flow
- MagFit magnetic shower support
- connection dimension: DN15
- maximum flow rate at 3 bar: 8 l/min
- ceramic cartridge
- connection type: G 3/8 connections
- temperature limitation adjustable
- integrated non-return valve
- suitable for continuous flow water heaters

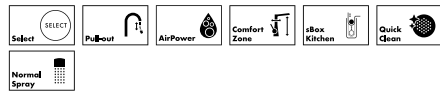




Talis Select M51

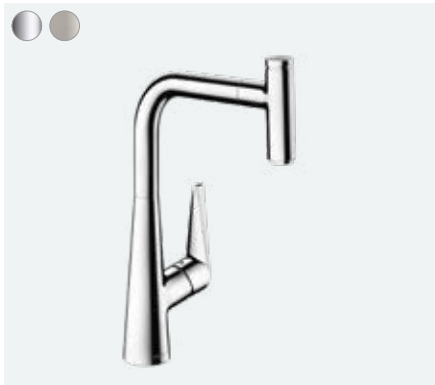
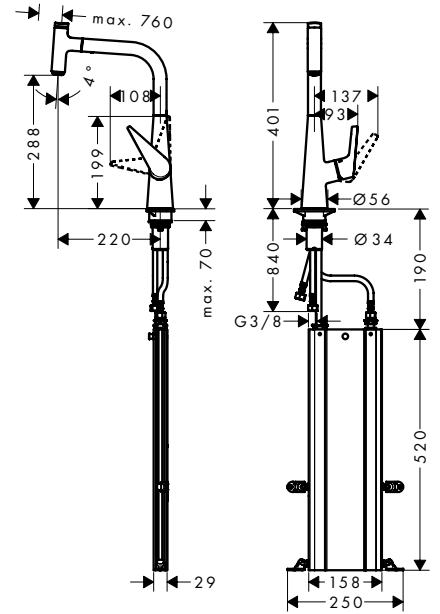
Single lever kitchen mixer 300, pull-out spout, 1jet, sBox

73853, -000, -800



Features

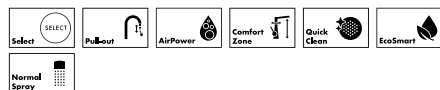
- consists of: single lever kitchen mixer, hose box
- ComfortZone 300
- swivel range adjustable in 2 steps to 110° or 150°
- normal spray
- Select button for a comfortable start/stop of the water flow
- MagFit magnetic shower support
- connection dimension: DN15
- maximum flow rate at 3 bar: 8 l/min
- ceramic cartridge
- connection type: G 3/8 connections
- temperature limitation adjustable
- integrated non-return valve
- suitable for continuous flow water heaters
- sBox for quiet, smooth and protected hose guidance in the cabinet, under the countertop
- extension length up to 76 cm



Talis Select M51

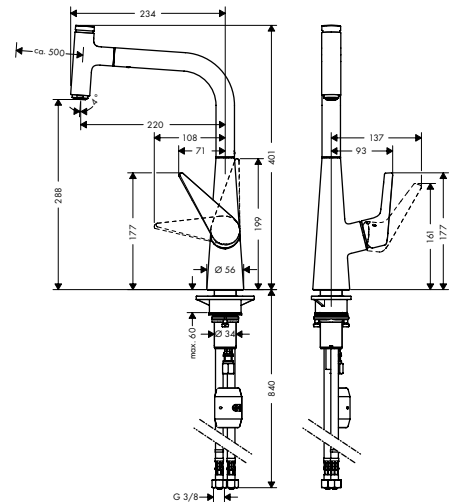
Single lever kitchen mixer 300, pull-out spout, 1jet # 72821, -000, -800

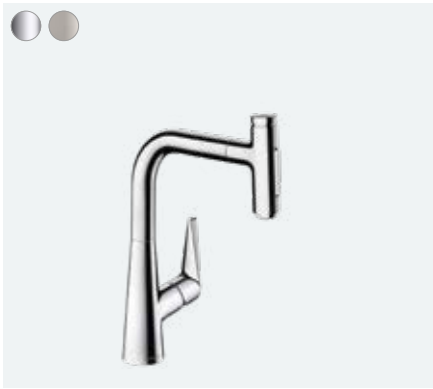
Single lever kitchen mixer 300, Eco, pull-out spout, 1jet # 72826, -000



Features

- ComfortZone 300
- swivel range adjustable in 2 steps to 110° or 150°
- normal spray
- Select button for a comfortable start/stop of the water flow
- MagFit magnetic shower support
- quick connect hose
- connection dimension: DN15
- maximum flow rate at 3 bar: 8 l/min
- ceramic cartridge
- connection type: G 3/8 connections
- temperature limitation adjustable
- integrated non-return valve
- suitable for continuous flow water heaters

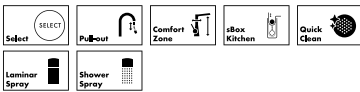




Talis Select M51

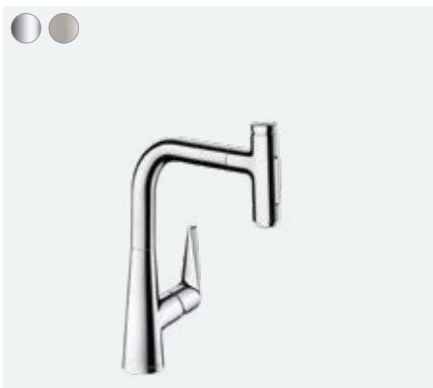
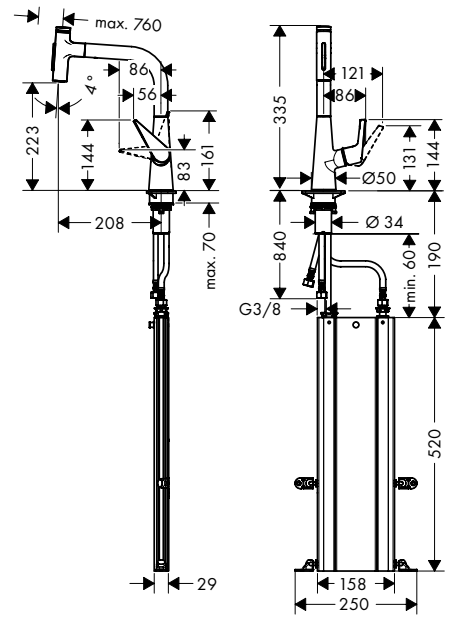
Single lever kitchen mixer 220, pull-out spray, 2jet, sBox

73868, -000, -800



Features

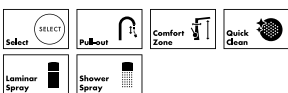
- consists of: single lever kitchen mixer, hose box
- ComfortZone 220
- swivel range adjustable in 2 steps to 110° or 150°
- laminar spray, shower spray
- lockable shower spray, spray returns through pressing spray diverter and spray returns automatically through handle closing
- Select button for a comfortable start/stop of the water flow
- MagFit magnetic shower support
- connection dimension: DN15
- maximum flow rate at 3 bar: 8 l/min
- ceramic cartridge
- connection type: G 3/8 connections
- temperature limitation adjustable
- integrated non-return valve
- suitable for continuous flow water heaters
- sBox for quiet, smooth and protected hose guidance in the cabinet, under the countertop
- extension length up to 76 cm



Talis Select M51

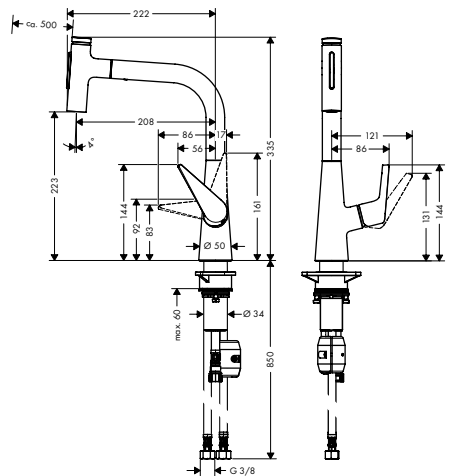
Single lever kitchen mixer 220, pull-out spray, 2jet

72824, -000, -800



Features

- ComfortZone 220
- swivel range adjustable in 2 steps to 110° or 150°
- laminar spray, shower spray
- lockable shower spray, spray returns through pressing spray diverter and spray returns automatically through handle closing
- Select button for a comfortable start/stop of the water flow
- MagFit magnetic shower support
- connection dimension: DN15
- maximum flow rate at 3 bar: 7,3 l/min
- ceramic cartridge
- connection type: G 3/8 connections
- temperature limitation adjustable
- integrated non-return valve
- suitable for continuous flow water heaters

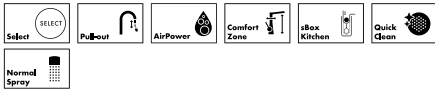




Talis Select M51

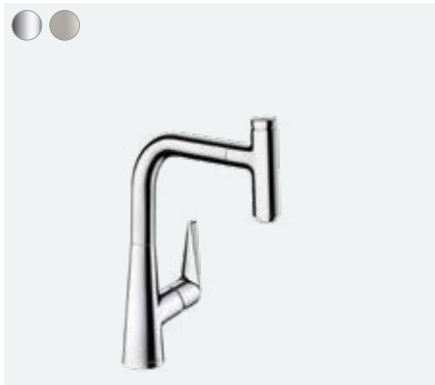
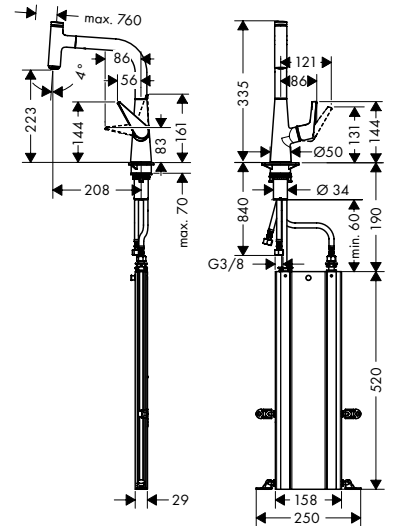
Single lever kitchen mixer 220, pull-out spout, 1jet, sBox

73852, -000, -800



Features

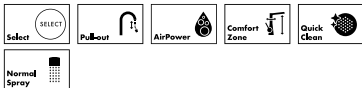
- consists of: single lever kitchen mixer, hose box
- ComfortZone 220
- swivel range adjustable in 2 steps to 110° or 150°
- normal spray
- Select button for a comfortable start/stop of the water flow
- MagFit magnetic shower support
- connection dimension: DN15
- maximum flow rate at 3 bar: 20 l/min
- ceramic cartridge
- connection type: G 3/8 connections
- temperature limitation adjustable
- integrated non-return valve
- suitable for continuous flow water heaters
- sBox for quiet, smooth and protected hose guidance in the cabinet, under the countertop
- extension length up to 76 cm



Talis Select M51

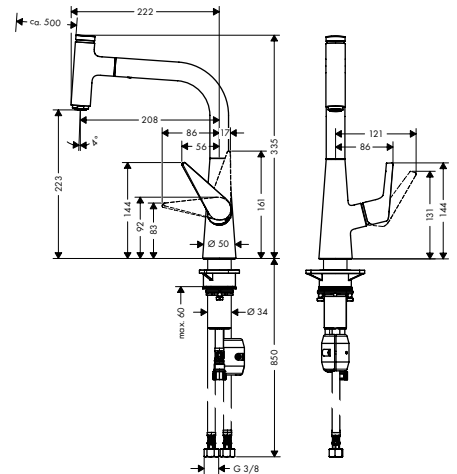
Single lever kitchen mixer 220, pull-out spout, 1jet

72822, -000, -800



Features

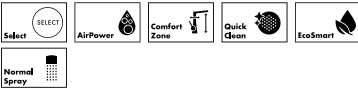
- ComfortZone 220
- swivel range adjustable in 2 steps to 110° or 150°
- normal spray
- Select button for a comfortable start/stop of the water flow
- MagFit magnetic shower support
- connection dimension: DN15
- maximum flow rate at 3 bar: 8 l/min
- ceramic cartridge
- connection type: G 3/8 connections
- temperature limitation adjustable
- integrated non-return valve
- suitable for continuous flow water heaters



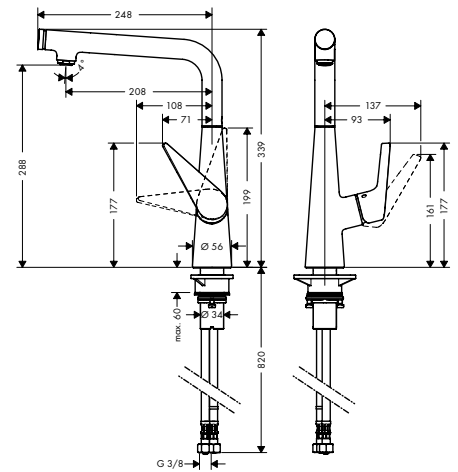
**Talis Select M51**

Single lever kitchen mixer 300, 1jet
72820, -000, -800

Single lever kitchen mixer 300, Eco, 1jet
72825, -000

**Features**

- ComfortZone 300
- swivel range adjustable in 3 steps 110°, 150° or 360°
- normal spray
- Select button for a comfortable start/stop of the water flow
- connection dimension: DN15
- maximum flow rate at 3 bar: 9 l/min
- ceramic cartridge
- connection type: G 3/8 connections
- temperature limitation adjustable
- integrated non-return valve
- suitable for continuous flow water heaters





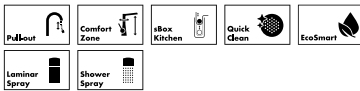
Talis M51

Single lever kitchen mixer 200, pull-out spray, 2jet, sBox

73851, -000, -800

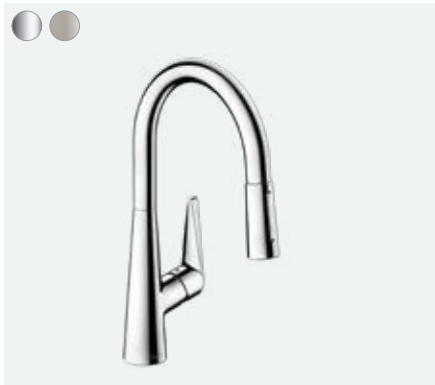
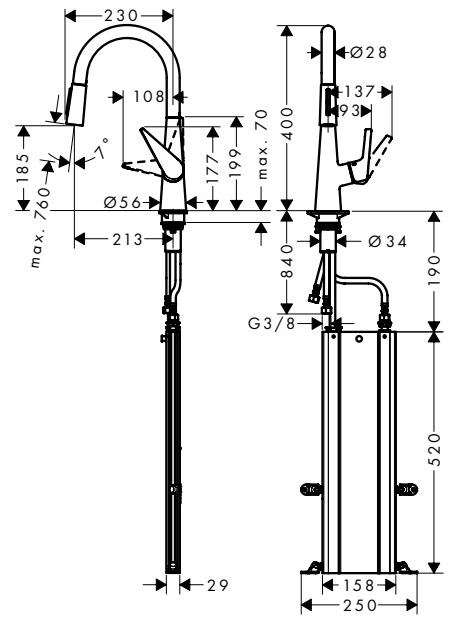
Single lever kitchen mixer 200, Eco, pull-out spray, 2jet, sBox

73876, -000



Features

- consists of: single lever kitchen mixer, hose box
- ComfortZone 200
- swivel range adjustable in 2 steps to 110° or 150°
- laminar spray and shower spray
- lockable shower spray, spray returns through pressing spray diverter
- MagFit magnetic shower support
- connection dimension: DN15
- maximum flow rate at 3 bar: 9 l/min
- ceramic cartridge
- connection type: G 3/8 connections
- temperature limitation adjustable
- integrated non-return valve
- suitable for continuous flow water heaters
- sBox for quiet, smooth and protected hose guidance in the cabinet, under the countertop
- extension length up to 76 cm



Talis M51

Single lever kitchen mixer 200, pull-out spray, 2jet

72813, -000, -800

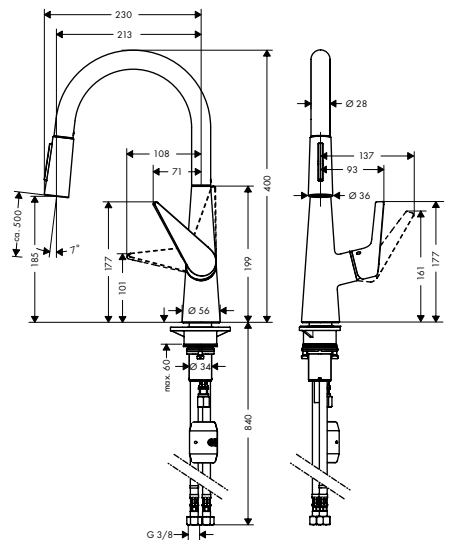
Single lever kitchen mixer 200, Eco, pull-out spray, 2jet

72817, -000



Features

- ComfortZone 200
- swivel range adjustable in 2 steps to 110° or 150°
- laminar spray, shower spray
- lockable shower spray, spray returns through pressing spray diverter
- MagFit magnetic shower support
- quick connect hose
- connection dimension: DN15
- maximum flow rate at 3 bar: 9 l/min
- ceramic cartridge
- connection type: G 3/8 connections
- temperature limitation adjustable
- integrated non-return valve
- suitable for continuous flow water heaters

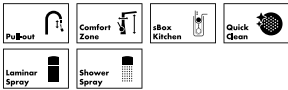




Talis M51

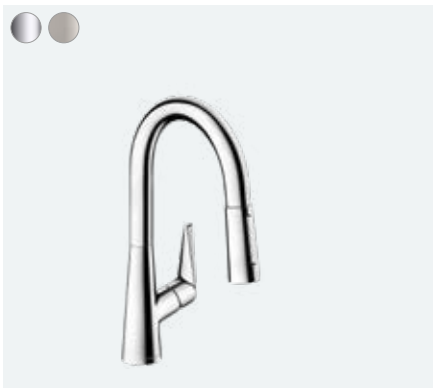
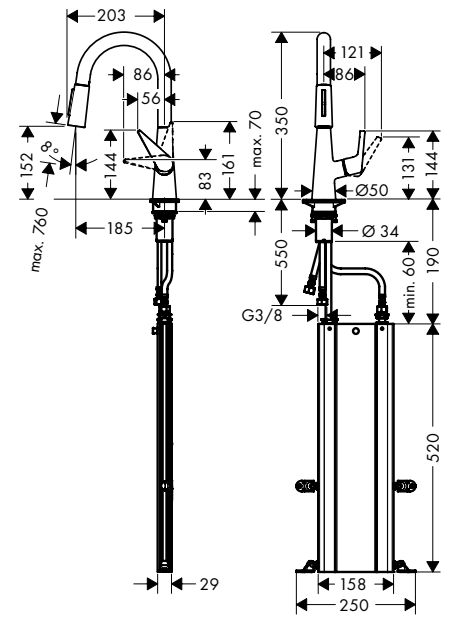
Single lever kitchen mixer 160, pull-out spray, 2jet, sBox

73850, -000, -800



Features

- consists of: single lever kitchen mixer, hose box
- ComfortZone 160
- swivel range adjustable in 2 steps to 110° or 150°
- laminar spray, shower spray
- lockable shower spray, spray returns through pressing spray diverter
- MagFit magnetic shower support
- connection dimension: DN15
- maximum flow rate at 3 bar: 9 l/min
- ceramic cartridge
- connection type: G 3/8 connections
- temperature limitation adjustable
- integrated non-return valve
- suitable for continuous flow water heaters
- sBox for quiet, smooth and protected hose guidance in the cabinet, under the countertop
- extension length up to 76 cm



Talis M51

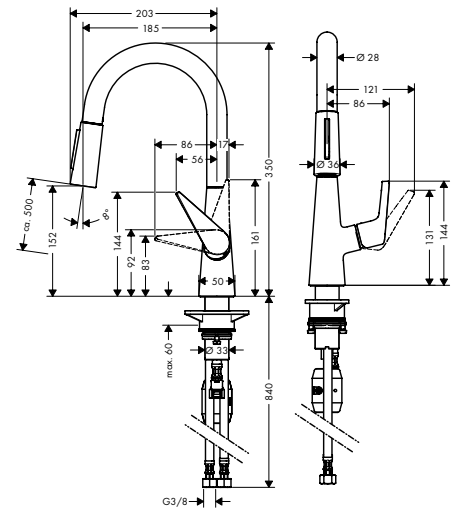
Single lever kitchen mixer 160, pull-out spray, 2jet

72815, -000, -800



Features

- ComfortZone 160
- swivel range adjustable in 2 steps to 110° or 150°
- laminar spray, normal spray
- lockable shower spray, spray returns through pressing spray diverter
- MagFit magnetic shower support
- quick connect hose
- connection dimension: DN15
- maximum flow rate at 3 bar: 9 l/min
- ceramic cartridge
- connection type: G 3/8 connections
- temperature limitation adjustable
- integrated non-return valve
- suitable for continuous flow water heaters

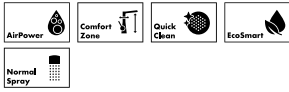




Talis M51

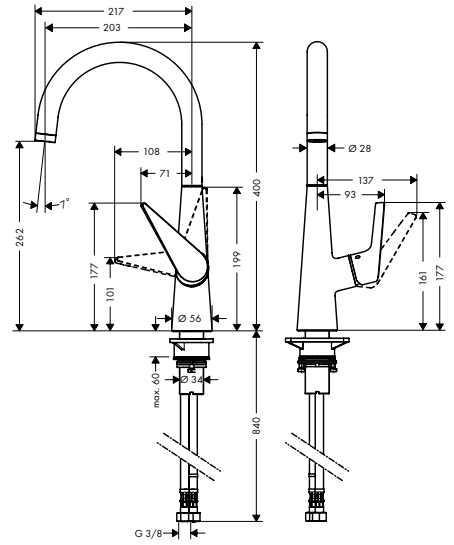
Single lever kitchen mixer 260, 1jet
72810, -000, -800

Single lever kitchen mixer 260, Eco, 1jet
72816, -000



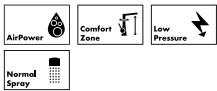
Features

- ComfortZone 260
- swivel range adjustable in 3 steps 110°, 150° or 360°
- normal spray
- connection dimension: DN15
- maximum flow rate at 3 bar: 10 l/min
- ceramic cartridge
- connection type: G 3/8 connections
- temperature limitation adjustable
- suitable for continuous flow water heaters



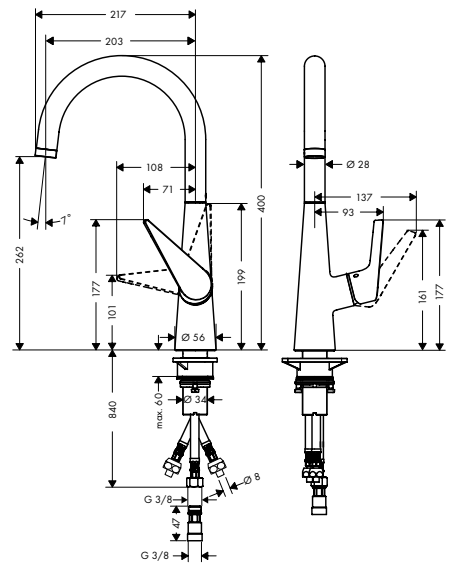
Talis M51

Single lever kitchen mixer 260, LowPressure/vented
hot water cylinders, 1jet
72812, -000



Features

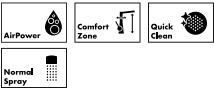
- for vented hot water cylinders (no pressure)
- ComfortZone 260
- swivel range adjustable in 3 steps 110°, 150° or 360°
- normal spray
- connection dimension: DN15
- maximum flow rate at 3 bar: 5 l/min
- ceramic cartridge
- connection type: G 3/8 connections
- temperature limitation adjustable
- not suitable for continuous flow water heaters





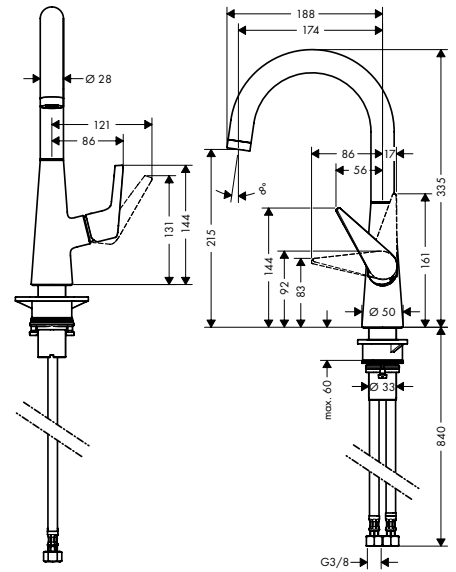
Talis M51

Single lever kitchen mixer 220, 1jet
72814, -000, -800



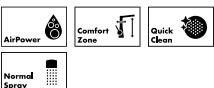
Features

- ComfortZone 220
- swivel range adjustable in 3 steps 110°, 150° or 360°
- normal spray
- connection dimension: DN15
- maximum flow rate at 3 bar: 10 l/min
- ceramic cartridge
- connection type: G 3/8 connections
- temperature limitation adjustable
- suitable for continuous flow water heaters



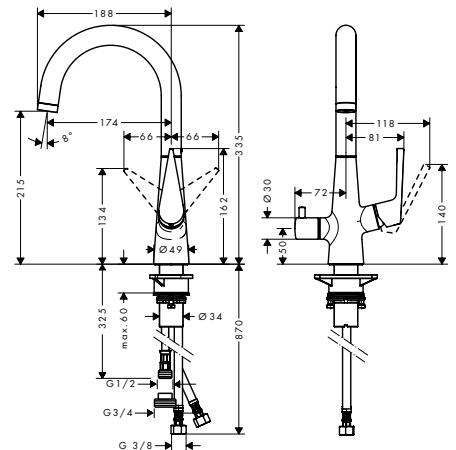
Talis M51

Single lever kitchen mixer 220, device shut-off valve,
1jet
72811, -000



Features

- ComfortZone 220
- swivel range adjustable in 3 steps 110°, 150° or 360°
- normal spray
- with integrated shut-off valve
- connection dimension: DN15
- maximum flow rate at 3 bar: 10 l/min
- ceramic cartridge
- connection type: G 3/8 connections
- temperature limitation adjustable
- suitable for continuous flow water heaters



Swinging elegance for the kitchen

Talis M52



AirPower: Air is added via the spray disc, resulting in a fuller, lighter and softer jet of water.



Variable: Choice of two spray types: standard and shower spray.

Advantages and benefits

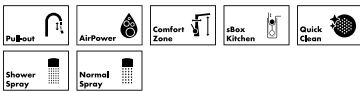
- Vertical handle position for easy use even when there is little space in front of the wall
- Suitable for continuous-flow water heaters
- Swivel range 150°
- Mixer with 2 spray types (standard/shower spray)
- MagFit magnetic holder for spray
- Extend your working radius at the sink by up to 76 cm using the pull-out spout and sBox



Talis M52

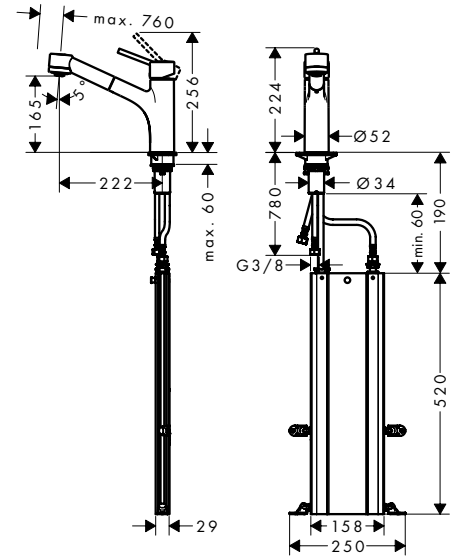
Single lever kitchen mixer 170, pull-out spray, 2jet, sBox

73860, -000, -800



Features

- consists of: single lever kitchen mixer, hose box
- ComfortZone 170
- swivel range 150°
- normal spray, shower spray
- lockable shower spray, spray returns automatically through handle closing
- connection dimension: DN15
- maximum flow rate at 3 bar: 10 l/min
- ceramic cartridge
- connection type: G 3/8 connections
- temperature limitation adjustable
- integrated non-return valve
- suitable for continuous flow water heaters
- sBox for quiet, smooth and protected hose guidance in the cabinet, under the countertop
- extension length up to 76 cm



Talis M52

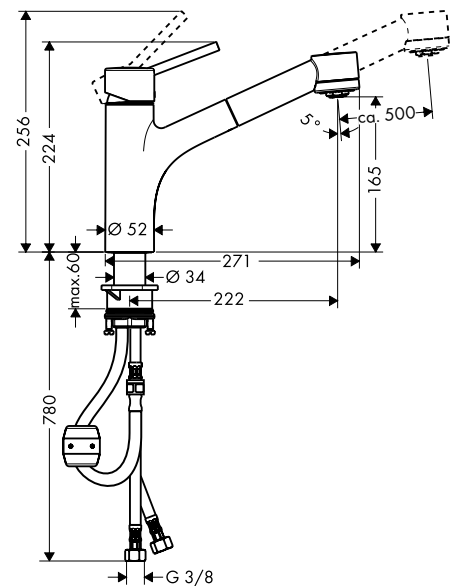
Single lever kitchen mixer 170, pull-out spray, 2jet # 32841, -000

Single lever kitchen mixer 170, Eco, pull-out spray, 2jet # 32845, -000



Features

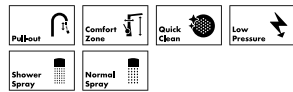
- consists of: single lever kitchen mixer
- ComfortZone 170
- swivel range 150°
- normal spray, shower spray
- lockable shower spray, spray returns automatically through handle closing
- quick connect hose
- connection dimension: DN15
- maximum flow rate at 3 bar: 10 l/min
- ceramic cartridge
- connection type: G 3/8 connections
- temperature limitation adjustable
- integrated non-return valve
- suitable for continuous flow water heaters





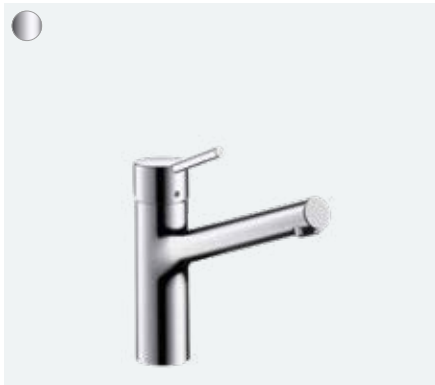
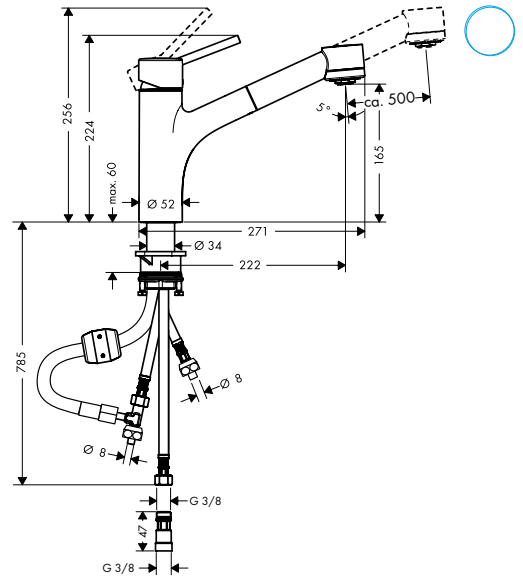
Talis M52

Single lever kitchen mixer 170, LowPressure/vented hot water cylinders, pull-out spray, 2jet # 32842, -000



Features

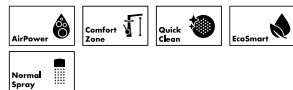
- for vented hot water cylinders (no pressure)
- ComfortZone 170
- swivel range 150°
- normal spray, shower spray
- non-lockable shower spray
- connection dimension: DN15
- maximum flow rate at 3 bar: 5 l/min
- ceramic cartridge
- connection type: G 3/8 connections
- temperature limitation adjustable
- integrated non-return valve
- not suitable for continuous flow water heaters



Talis M52

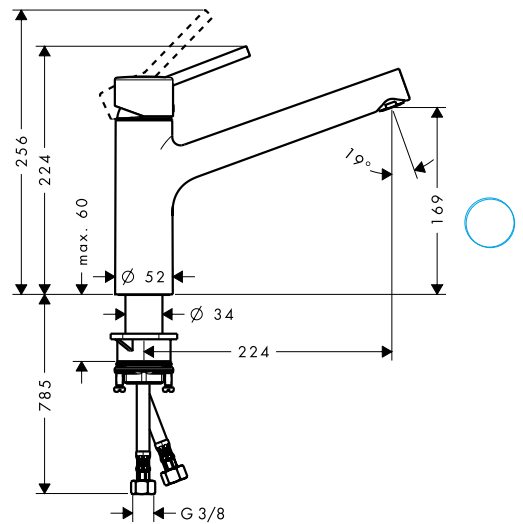
Single lever kitchen mixer 170, 1jet # 32851, -000

Single lever kitchen mixer 170, Eco, 1jet # 32857, -000



Features

- ComfortZone 170
- swivel range 150°
- normal spray
- connection dimension: DN15
- maximum flow rate at 3 bar: 16 l/min
- ceramic cartridge
- connection type: G 3/8 connections
- temperature limitation adjustable
- suitable for continuous flow water heaters





Universal minimalism

Talis M54



The swivel of the kitchen taps can be set incrementally (60°/110°/150°/360°).



Pull-out tap with MagFit.

Choose between two different spray types.



Flexible: Available in three shapes to suit your needs: arched, L-shaped and U-shaped.



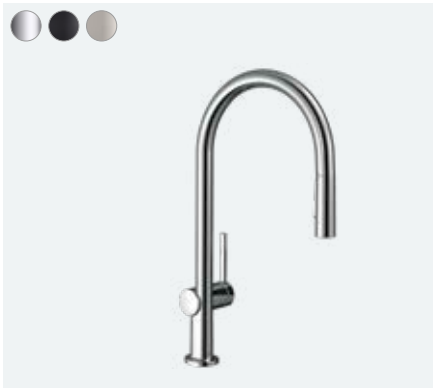
Design: Available in chrome, stainless steel and matte black.



Variable: Two spray types: laminar or shower.

Advantages and benefits

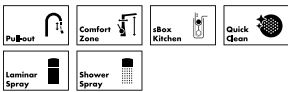
- Available in three shapes to suit your needs: arched, L-shaped and U-shaped
- Three finishes to choose from: chrome, stainless steel and matte black
- The finish of all components, including the shower hose, are matched
- The sBox is available as an option for the versions with a pull-out spout or shower
- Extend operating range by up to 76 cm using the pull-out tap and sBox



Talis M54

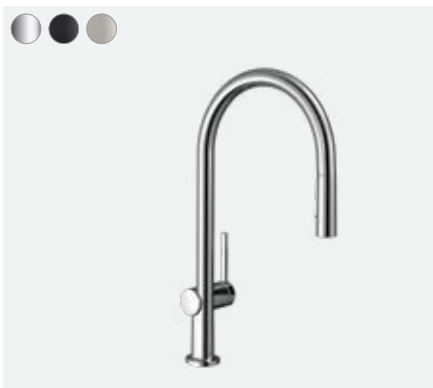
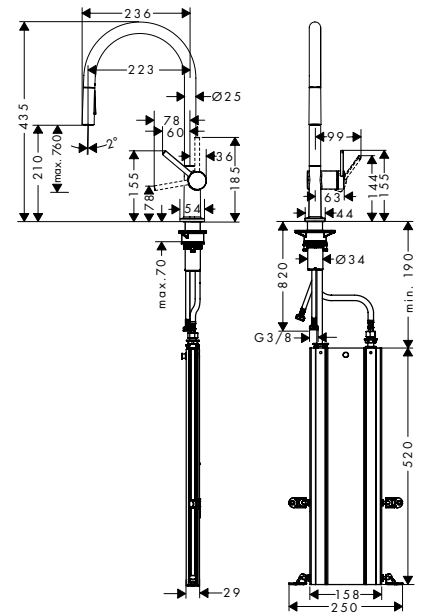
Single lever kitchen mixer 210, pull-out spray, 2jet, sBox

72801, -000, -670, -800



Features

- consists of: single lever kitchen mixer, hose box
- ComfortZone 210
- swivel range adjustable in 4 steps 60°, 110°, 150° or 360°
- laminar spray, shower spray
- lockable shower spray, spray returns through pressing spray diverter and spray returns automatically through handle closing
- connection dimension: DN15
- maximum flow rate at 3 bar: 7 l/min
- ceramic cartridge
- connection type: G 3/8 connections
- temperature limitation adjustable
- integrated non-return valve
- suitable for continuous flow water heaters
- sBox for quiet, smooth and protected hose guidance in the cabinet, under the countertop
- extension length up to 76 cm



Talis M54

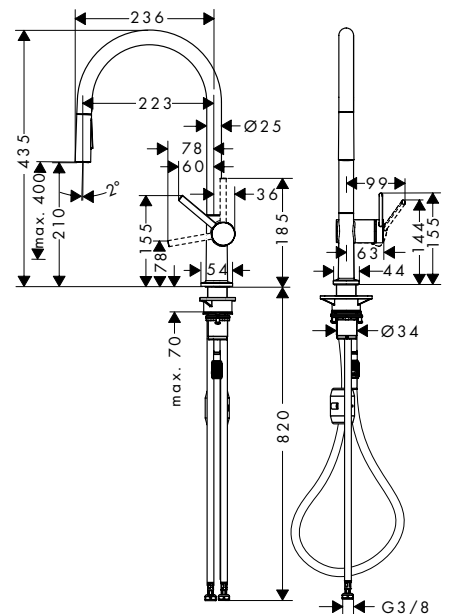
Single lever kitchen mixer 210, pull-out spray, 2jet # 72800, -000, -670, -800

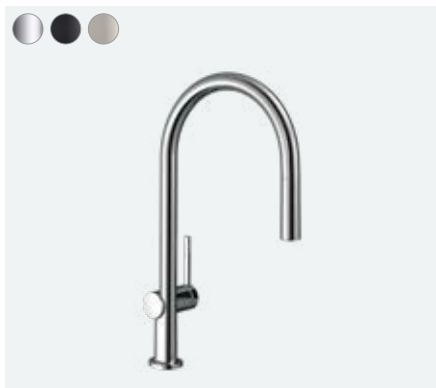
Single lever kitchen mixer 210, Eco, pull-out spray, 2jet # 72842, -000, -670



Features

- ComfortZone 210
- swivel range adjustable in 4 steps 60°, 110°, 150° or 360°
- laminar spray, shower spray
- lockable shower spray, spray returns through pressing spray diverter and spray returns automatically through handle closing
- quick connect hose
- connection dimension: DN15
- maximum flow rate at 3 bar: 8 l/min
- ceramic cartridge
- connection type: G 3/8 connections
- temperature limitation adjustable
- integrated non-return valve
- suitable for continuous flow water heaters





Talis M54

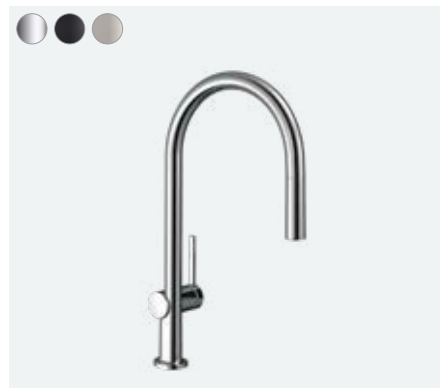
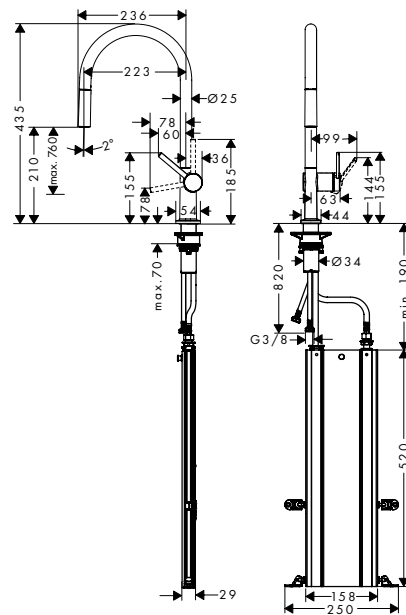
Single lever kitchen mixer 210, pull-out spout, 1jet, sBox

72803, -000, -670, -800



Features

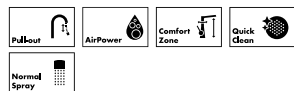
- consists of: single lever kitchen mixer, hose box
- ComfortZone 210
- swivel range adjustable in 4 steps 60°, 110°, 150° or 360°
- normal spray
- connection dimension: DN15
- maximum flow rate at 3 bar: 7 l/min
- ceramic cartridge
- connection type: G 3/8 connections
- temperature limitation adjustable
- integrated non-return valve
- suitable for continuous flow water heaters
- sBox for quiet, smooth and protected hose guidance in the cabinet, under the countertop
- extension length up to 76 cm



Talis M54

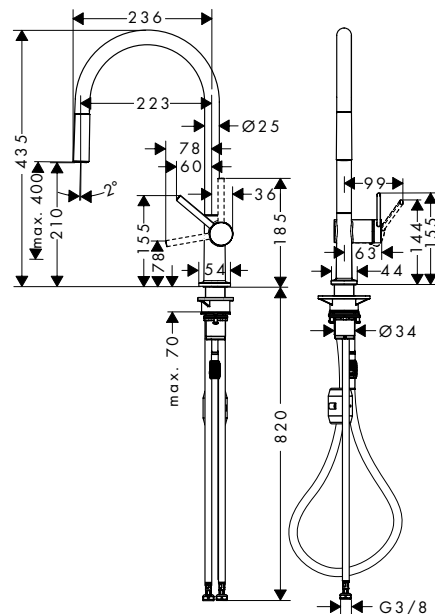
Single lever kitchen mixer 210, pull-out spout, 1jet

72802, -000, -670, -800



Features

- ComfortZone 210
- swivel range adjustable in 4 steps 60°, 110°, 150° or 360°
- normal spray
- quick connect hose
- connection dimension: DN15
- maximum flow rate at 3 bar: 7 l/min
- ceramic cartridge
- connection type: G 3/8 connections
- temperature limitation adjustable
- integrated non-return valve
- suitable for continuous flow water heaters

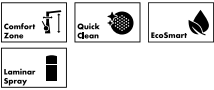




Talis M54

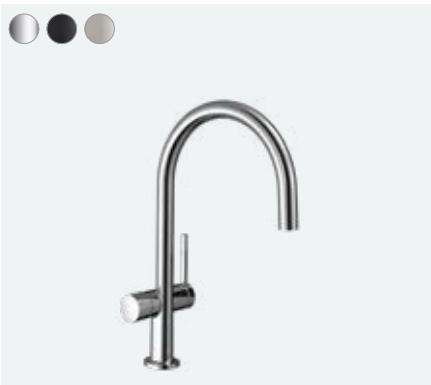
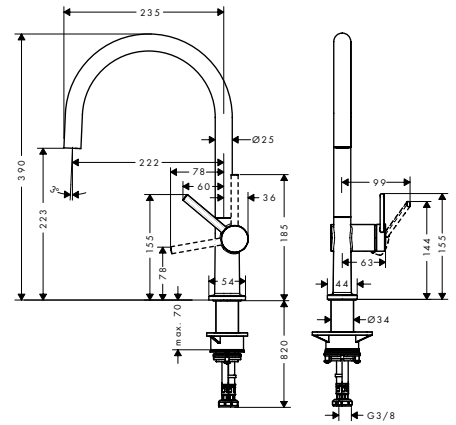
Single lever kitchen mixer 220, 1jet
72804, -000, -670, -800

Single lever kitchen mixer 220, Eco, 1jet
72843, -000, -670



Features

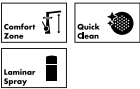
- ComfortZone 220
- swivel range adjustable in 4 steps 60°, 110°, 150° or 360°
- laminar spray
- connection dimension: DN15
- maximum flow rate at 3 bar: 9 l/min
- ceramic cartridge
- connection type: G 3/8 connections
- temperature limitation adjustable
- suitable for continuous flow water heaters
- tap hole with Ø 35 mm required



Talis M54

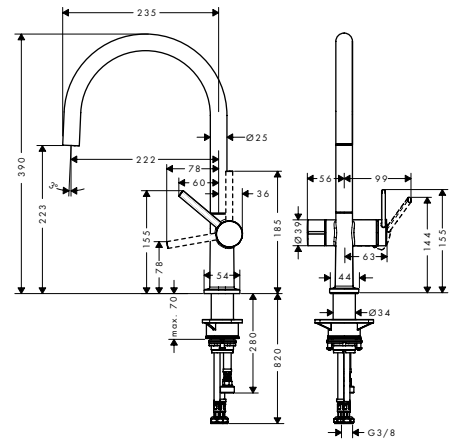
Single lever kitchen mixer 220, device shut-off valve,
1jet

72805, -000, -670, -800



Features

- ComfortZone 220
- swivel range adjustable in 4 steps 60°, 110°, 150° or 360°
- laminar spray
- with integrated shut-off valve
- connection dimension: DN15
- maximum flow rate at 3 bar: 9 l/min
- ceramic cartridge
- connection type: G 3/8 connections
- temperature limitation adjustable
- suitable for continuous flow water heaters
- tap hole with Ø 35 mm required

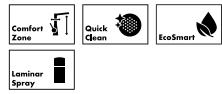




Talis M54

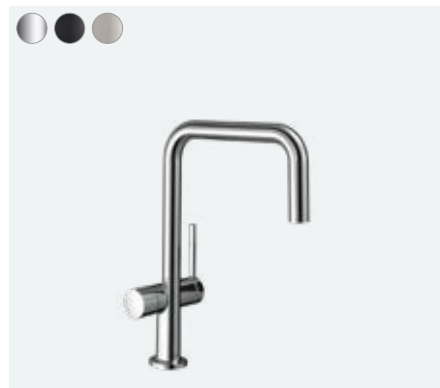
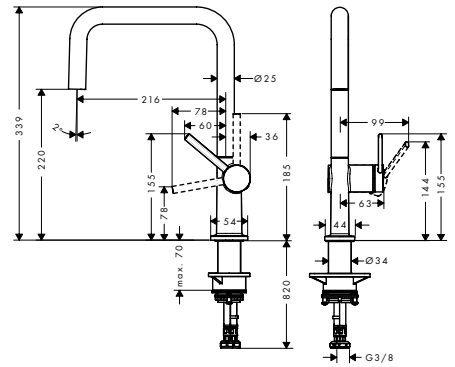
Single lever kitchen mixer U 220, 1jet
72806, -000, -670, -800

Single lever kitchen mixer U 220, Eco, 1jet
72844, -000, -670



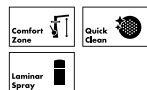
Features

- ComfortZone 220
- swivel range adjustable in 4 steps 60°, 110°, 150° or 360°
- laminar spray
- connection dimension: DN15
- maximum flow rate at 3 bar: 9 l/min
- ceramic cartridge
- connection type: G 3/8 connections
- temperature limitation adjustable
- suitable for continuous flow water heaters



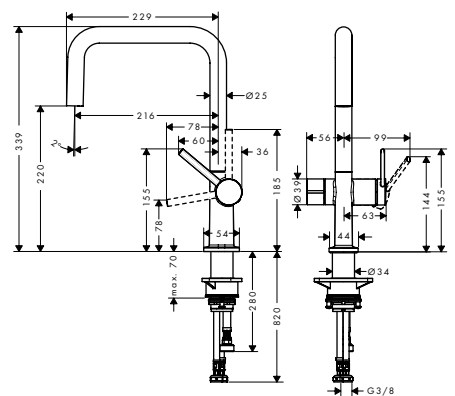
Talis M54

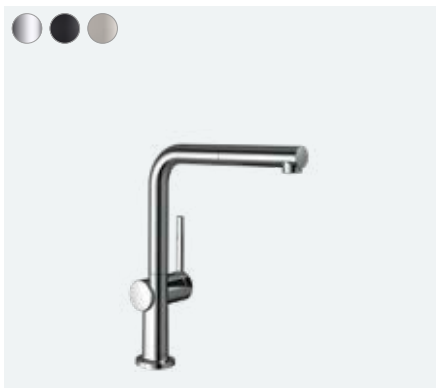
Single lever kitchen mixer U 220, device shut-off valve,
1jet
72807, -000, -670, -800



Features

- ComfortZone 220
- swivel range adjustable in 4 steps 60°, 110°, 150° or 360°
- laminar spray
- with integrated shut-off valve
- device connection DN20
- connection dimension: DN15
- maximum flow rate at 3 bar: 8 l/min
- ceramic cartridge
- connection type: G 3/8 connections
- temperature limitation adjustable
- suitable for continuous flow water heaters
- tap hole with Ø 35 mm required

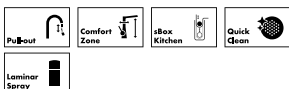




Talis M54

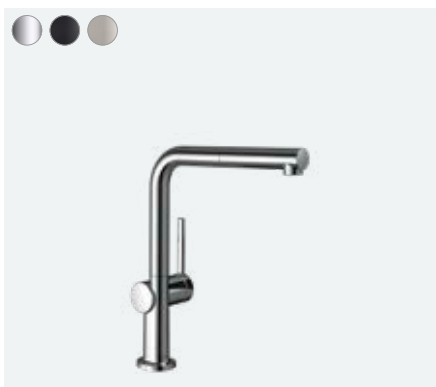
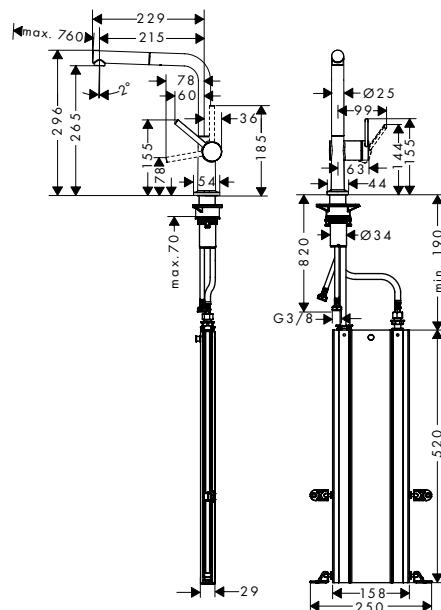
Single lever kitchen mixer 270, pull-out spout, 1jet, sBox

72809, -000, -670, -800



Features

- consists of: single lever kitchen mixer, hose box
- ComfortZone 270
- L-spout
- swivel range adjustable in 4 steps 60°, 110°, 150° or 360°
- laminar spray
- connection dimension: DN15
- maximum flow rate at 3 bar: 7 l/min
- ceramic cartridge
- connection type: G 3/8 connections
- temperature limitation adjustable
- integrated non-return valve
- suitable for continuous flow water heaters
- sBox for quiet, smooth and protected hose guidance in the cabinet, under the countertop
- extension length up to 76 cm



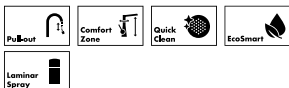
Talis M54

Single lever kitchen mixer 270, pull-out spout, 1jet

72808, -000, -670, -800

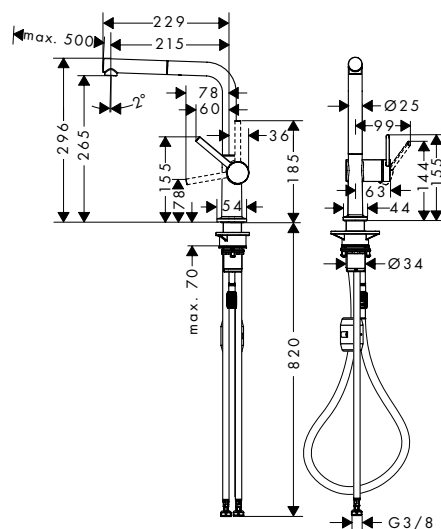
Single lever kitchen mixer 270, Eco, pull-out spout, 1jet

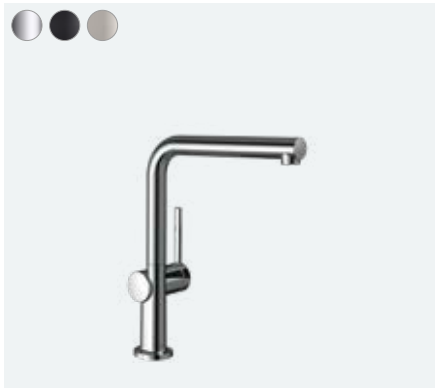
72845, -000, -670



Features

- ComfortZone 270
- swivel range adjustable in 4 steps 60°, 110°, 150° or 360°
- laminar spray
- quick connect hose
- connection dimension: DN15
- maximum flow rate at 3 bar: 8 l/min
- ceramic cartridge
- connection type: G 3/8 connections
- temperature limitation adjustable
- integrated non-return valve
- suitable for continuous flow water heaters





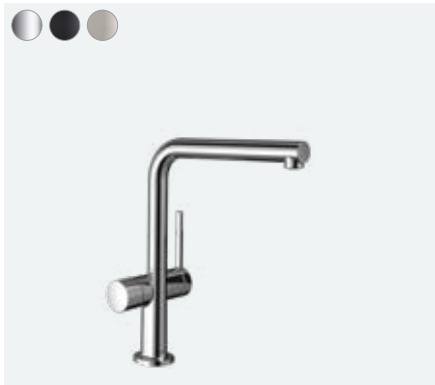
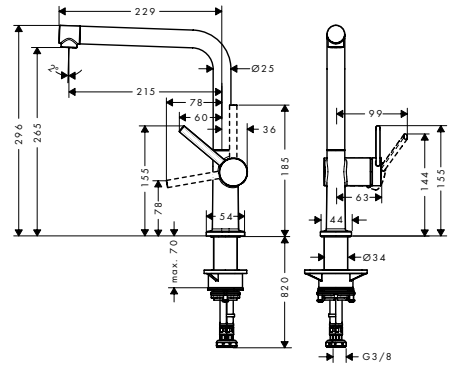
Talis M54

Single lever kitchen mixer 270, 1jet
72840, -000, -670, -800



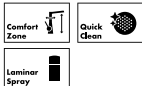
Features

- ComfortZone 270
- L-spout
- swivel range adjustable in 4 steps 60°, 110°, 150° or 360°
- laminar spray
- connection dimension: DN15
- maximum flow rate at 3 bar: 8,4 l/min
- ceramic cartridge
- connection type: G 3/8 connections
- temperature limitation adjustable
- suitable for continuous flow water heaters
- tap hole with Ø 35 mm required



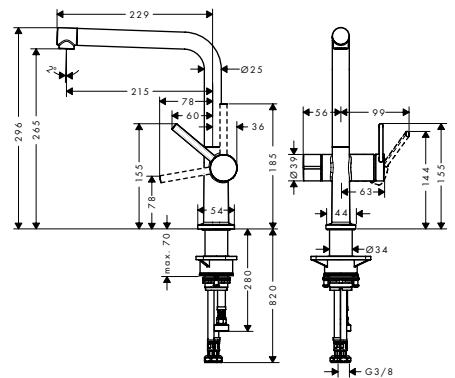
Talis M54

Single lever kitchen mixer 270, device shut-off valve,
1jet
72827, -000, -670, -800



Features

- ComfortZone 270
- swivel range adjustable in 4 steps 60°, 110°, 150° or 360°
- laminar spray
- with integrated shut-off valve
- connection dimension: DN15
- maximum flow rate at 3 bar: 8 l/min
- ceramic cartridge
- connection type: G 3/8 connections
- temperature limitation adjustable
- suitable for continuous flow water heaters
- tap hole with Ø 35 mm required





More freedom to move about when cooking and washing up

Focus M41



QuickClean: Dirt and limescale deposits can be simply rubbed off with your finger – low effort with no need to use cleaning products.



ComfortZone: The ultra high spout offers plenty of space and is ideal for filling large containers and pots.

Advantages and benefits

- Ergonomic flat handle design for better adjustment of the water temperature and quantity
- Suitable for continuous-flow water heaters
- Swivel range 150°
- Mixer with 2 spray types (standard/shower spray)
- MagFit magnetic holder for spray
- Excellent usability at a great price
- Extend the operating radius by up to 76 cm with the pull-out spout and sBox

**Focus M41**

Single lever kitchen mixer 240, pull-out spray, 2jet, sBox

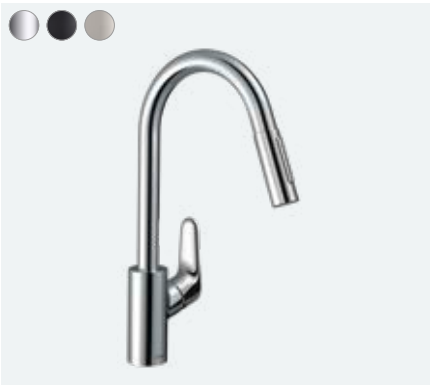
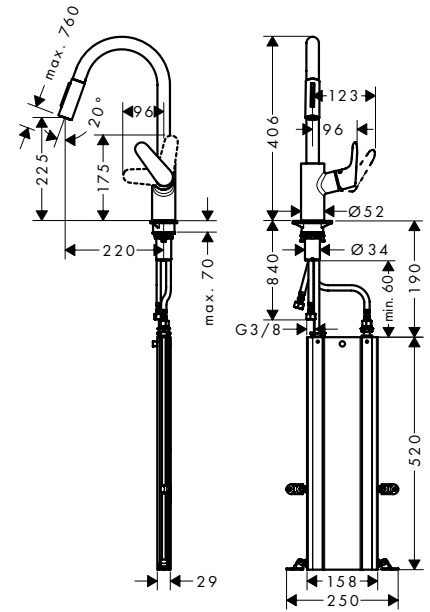
73880, -000, -800

Single lever kitchen mixer 240, Eco, pull-out spray, 2jet, sBox

73895, -000

**Features**

- consists of: single lever kitchen mixer, hose box
- ComfortZone 240
- swivel range adjustable in 2 steps to 110° or 150°
- laminar spray, shower spray
- lockable shower spray, spray returns through pressing spray diverter
- MagFit magnetic shower support
- connection dimension: DN15
- maximum flow rate at 3 bar: 10 l/min
- ceramic cartridge
- connection type: G 3/8 connections
- temperature limitation adjustable
- integrated non-return valve
- suitable for continuous flow water heaters
- sBox for quiet, smooth and protected hose guidance in the cabinet, under the countertop
- extension length up to 76 cm

**Focus M41**

Single lever kitchen mixer 240, pull-out spray, 2jet, sBox

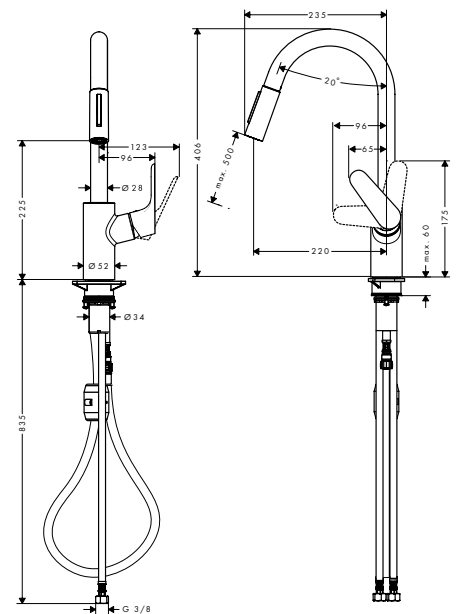
31815, -000, -670, -800

Single lever kitchen mixer 240, Eco, pull-out spray, 2jet, sBox

31833, -000

**Features**

- ComfortZone 240
- swivel range adjustable in 2 steps to 110° or 150°
- laminar spray, shower spray
- lockable shower spray, spray returns through pressing spray diverter
- MagFit magnetic shower support
- quick connect hose
- connection dimension: DN15
- maximum flow rate at 3 bar: 10 l/min
- ceramic cartridge
- connection type: G 3/8 connections
- temperature limitation adjustable
- integrated non-return valve
- suitable for continuous flow water heaters

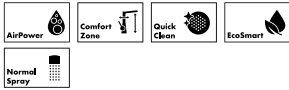




Focus M41

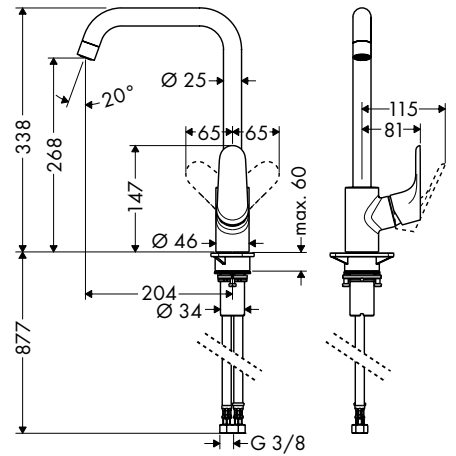
Single lever kitchen mixer 260, 1jet
31820, -000, -670, -800

Single lever kitchen mixer 260, Eco, 1jet
31821, -000, -800



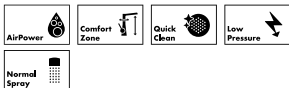
Features

- handle can be positioned on the right or left
- ComfortZone 260
- swivel range adjustable in 3 steps 110°, 150° or 360°
- normal spray
- connection dimension: DN15
- maximum flow rate at 3 bar: 12 l/min
- ceramic cartridge
- connection type: G 3/8 connections
- temperature limitation adjustable
- suitable for continuous flow water heaters



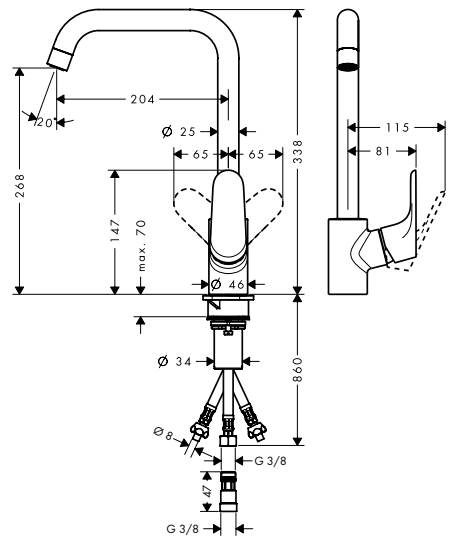
Focus M41

Single lever kitchen mixer 260, LowPressure/vented
hot water cylinders, 1jet
31822, -000



Features

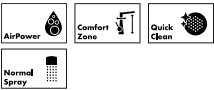
- for vented hot water cylinders (no pressure)
- handle can be positioned on the right or left
- ComfortZone 260
- swivel range adjustable in 3 steps 110°, 150° or 360°
- normal spray
- connection dimension: DN15
- maximum flow rate at 3 bar: 5 l/min
- ceramic cartridge
- connection type: G 3/8 connections
- temperature limitation adjustable
- not suitable for continuous flow water heaters





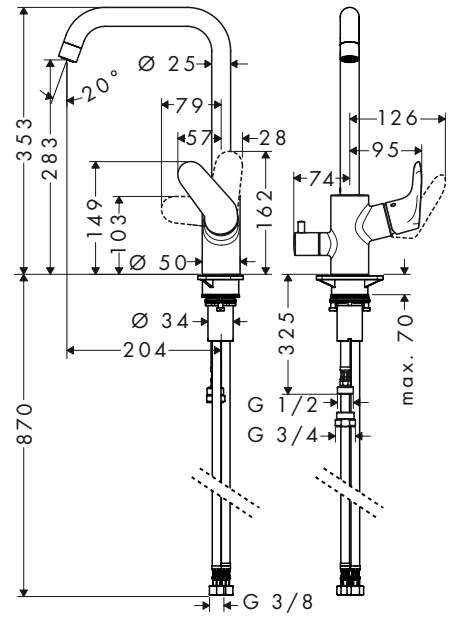
Focus M41

Single lever kitchen mixer 260, device shut-off valve, 1jet
31823, -000



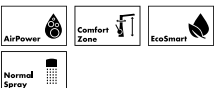
Features

- handle can be positioned on the right or left
- ComfortZone 260
- swivel range adjustable in 3 steps 110°, 150° or 360°
- normal spray
- with integrated shut-off valve
- connection dimension: DN15
- maximum flow rate at 3 bar: 12 l/min
- ceramic cartridge
- connection type: G 3/8 connections
- temperature limitation adjustable
- suitable for continuous flow water heaters



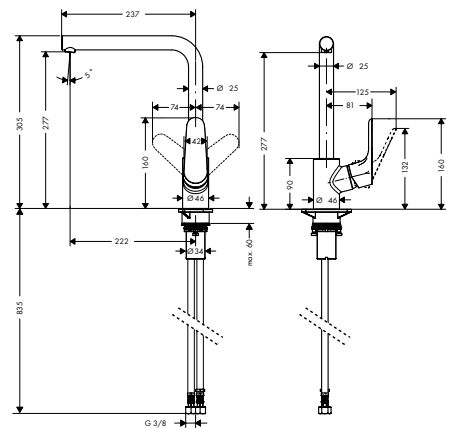
Focus M41

Single lever kitchen mixer 280, 1jet
31817, -000, -670, -800
Single lever kitchen mixer 280, Eco, 1jet
31827, -000



Features

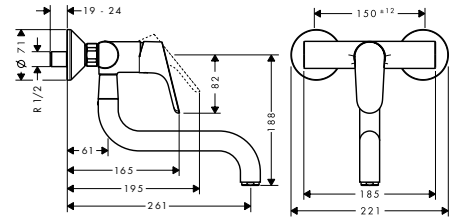
- handle can be positioned on the right or left
- ComfortZone 280
- swivel range adjustable in 3 steps 110°, 150° or 360°
- normal spray
- connection dimension: DN15
- maximum flow rate at 3 bar: 12 l/min
- ceramic cartridge
- connection type: G 3/8 connections
- temperature limitation adjustable
- suitable for continuous flow water heaters





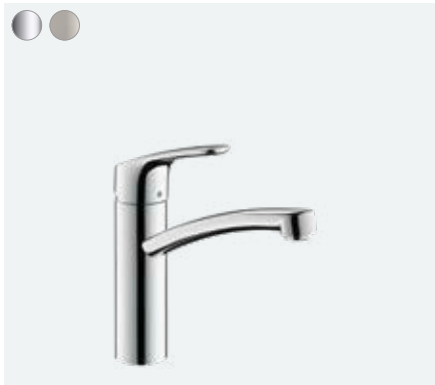
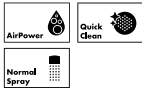
Features

- swivel range 180°
- normal spray
- centre distance 150 ± 12 mm
- connection dimension: DN15
- maximum flow rate at 3 bar: 12 l/min
- ceramic cartridge
- connection type: s-shaped connections
- temperature limitation adjustable
- suitable for continuous flow water heaters



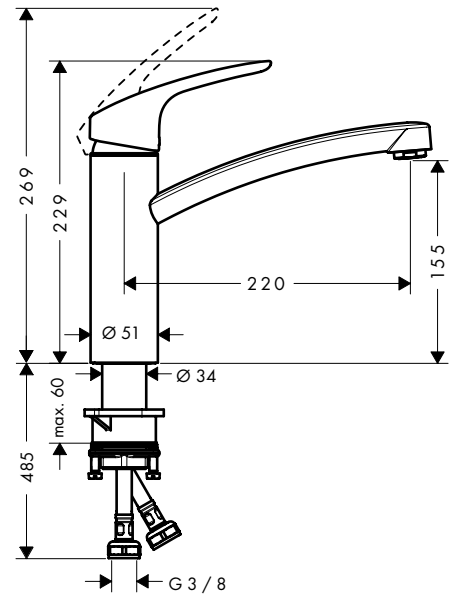
Focus M41

Single lever kitchen mixer, wall-mounted lowspout, 1jet
31825, -000



Features

- ComfortZone 160
- swivel range 360°
- normal spray
- connection dimension: DN15
- maximum flow rate at 3 bar: 12 l/min
- ceramic cartridge
- connection type: G 3/8 connections
- temperature limitation adjustable
- suitable for continuous flow water heaters

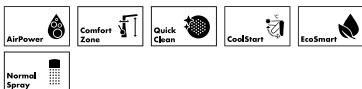


Focus M41

Single lever kitchen mixer 160, 1jet
31806, -000, -800

Single lever kitchen mixer 160, Eco, 1jet
31826, -000

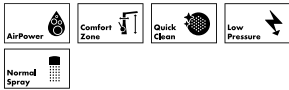
Single lever kitchen mixer 160, CoolStart, EcoSmart,
1jet
31816, -000





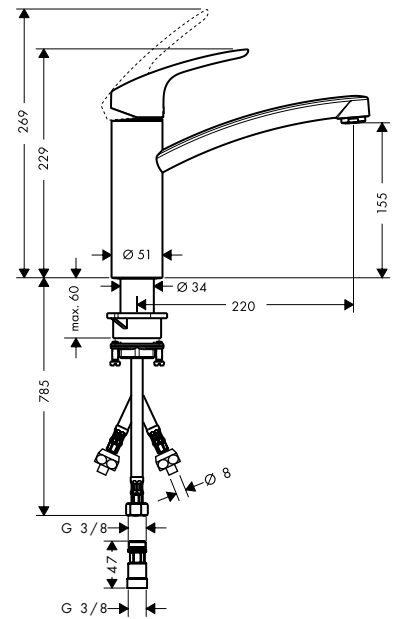
Focus M41

Single lever kitchen mixer 160, LowPressure/vented hot water cylinders, 1jet
31804, -000



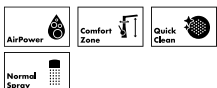
Features

- for vented hot water cylinders (no pressure)
- ComfortZone 160
- swivel range 150°
- normal spray
- connection dimension: DN15
- maximum flow rate at 3 bar: 5 l/min
- ceramic cartridge
- connection type: G 3/8 connections
- temperature limitation adjustable
- not suitable for continuous flow water heaters



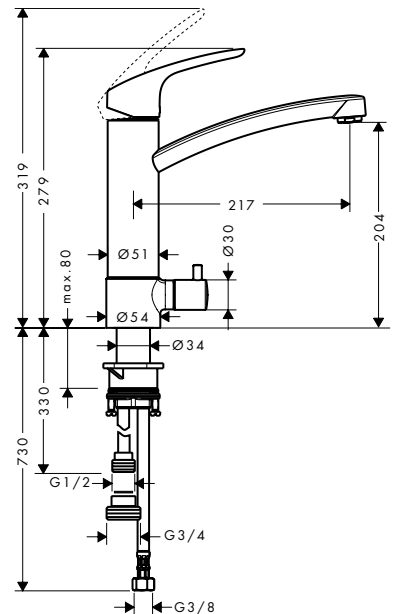
Focus M41

Single lever kitchen mixer 200, device shut-off valve, 1jet
31803, -000



Features

- ComfortZone 200
- swivel range 120°
- normal spray
- with integrated shut-off valve
- connection dimension: DN15
- maximum flow rate at 3 bar: 12 l/min
- ceramic cartridge
- connection type: G 3/8 connections
- temperature limitation adjustable
- suitable for continuous flow water heaters



Flexibility for the modern kitchen

Focus M42



More freedom to move with 120° swivel area: safely handle the water jet without it swivelling out of the sink

Precise control of the water flow thanks to the large handle with Boltic handle lock for sturdy operation

Modern, rounded design with organic, flowing shapes and an angled pull-out spout

Easy to clean with anti-limescale function in the QuickClean aerator

The principle is simple, but ingenious. When you use your shower, air is sucked in via the spray disc, which literally stirs up the water. Freshly enriched with air, the resulting droplets are noticeably

Available in two high-quality surface finish variants: chrome and stainless steel

Lock the pull-out spout with the MagFit magnetic holder



Flexible: The flexible pull-out spout offers complete freedom of movement.



Swivel range: Rotation range of between 110° to 360°, making washing up easier.



Smart installation in front of the window: The tilt function is perfect for complicated constructions.

Advantages and benefits

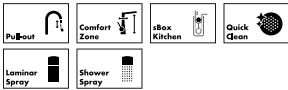
- Wide product range at an attractive price
- Three different basic shapes and five different ComfortZone heights for individual requirements
- Modern design that will look great in any kitchen setting
- Choice of two surface finishes: chrome and stainless steel
- Large handle design for sturdy handling
- Greater range of up to 76 cm with the pull-out spout and sBox



Focus M42

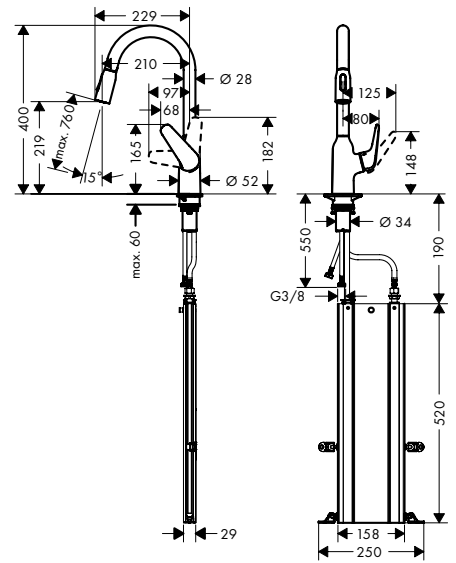
Single lever kitchen mixer 220, pull-out spray, 2jet, sBox

71820, -000, -800



Features

- consists of: single lever kitchen mixer, hose box
- ComfortZone 220
- swivel range 360°
- laminar spray, shower spray
- lockable shower spray, spray returns through pressing spray diverter and spray returns automatically through handle closing
- MagFit magnetic shower support
- connection dimension: DN15
- maximum flow rate at 3 bar: 9 l/min
- ceramic cartridge
- connection type: G 3/8 connections
- temperature limitation adjustable
- integrated non-return valve
- suitable for continuous flow water heaters
- sBox for quiet, smooth and protected hose guidance in the cabinet, under the countertop
- extension length up to 76 cm



Focus M42

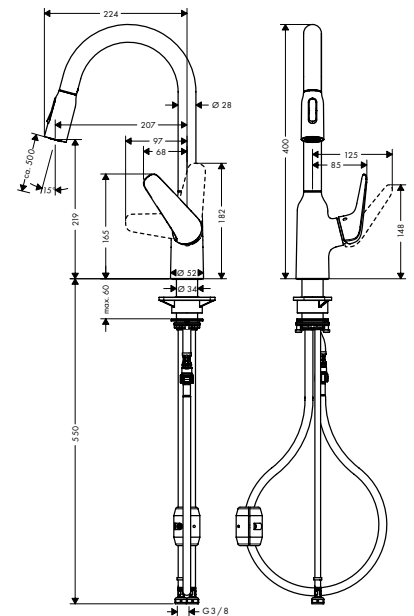
Single lever kitchen mixer 220, pull-out spray, 2jet, sBox

71800, -000, -800



Features

- ComfortZone 220
- swivel range 360°
- laminar spray, shower spray
- lockable shower spray, spray returns through pressing spray diverter and spray returns automatically through handle closing
- MagFit magnetic shower support
- quick connect hose
- connection dimension: DN15
- maximum flow rate at 3 bar: 8 l/min
- ceramic cartridge
- connection type: G 3/8 connections
- temperature limitation adjustable
- integrated non-return valve
- suitable for continuous flow water heaters

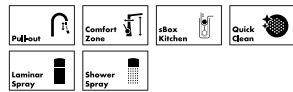




Focus M42

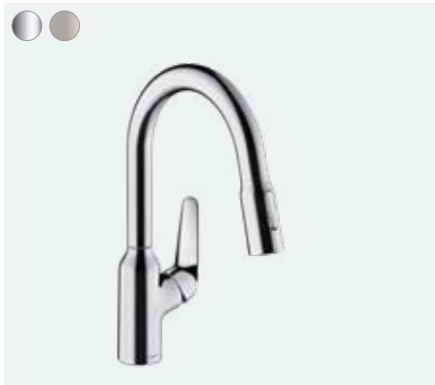
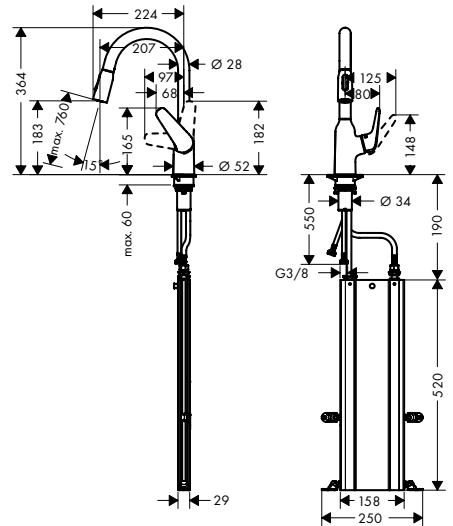
Single lever kitchen mixer 180, pull-out spray, 2jet, sBox

71821, -000, -800



Features

- consists of: single lever kitchen mixer, hose box
- ComfortZone 180
- swivel range 360°
- laminar spray, shower spray
- lockable shower spray, spray returns through pressing spray diverter and spray returns automatically through handle closing
- MagFit magnetic shower support
- connection dimension: DN15
- maximum flow rate at 3 bar: 9 l/min
- ceramic cartridge
- connection type: G 3/8 connections
- temperature limitation adjustable
- integrated non-return valve
- suitable for continuous flow water heaters
- sBox for quiet, smooth and protected hose guidance in the cabinet, under the countertop
- extension length up to 76 cm



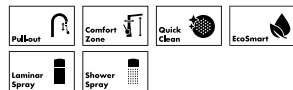
Focus M42

Single lever kitchen mixer 180, pull-out spray, 2jet

71801, -000, -800

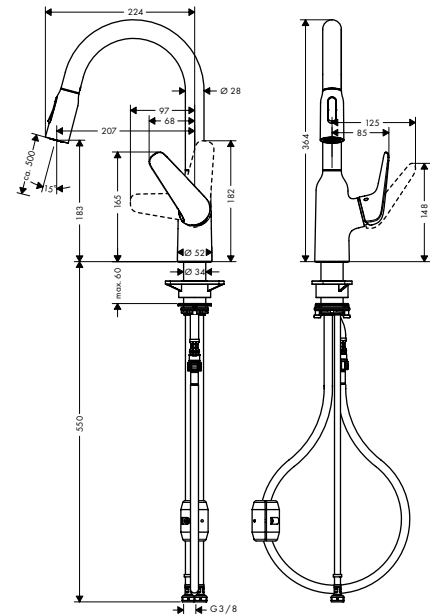
Single lever kitchen mixer 180, Eco, pull-out spray, 2jet

71862, -000



Features

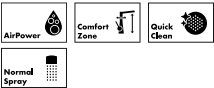
- ComfortZone 180
- swivel range 360°
- laminar spray, shower spray
- lockable shower spray, spray returns through pressing spray diverter and spray returns automatically through handle closing
- MagFit magnetic shower support
- quick connect hose
- connection dimension: DN15
- maximum flow rate at 3 bar: 8 l/min
- ceramic cartridge
- connection type: G 3/8 connections
- temperature limitation adjustable
- integrated non-return valve
- suitable for continuous flow water heaters





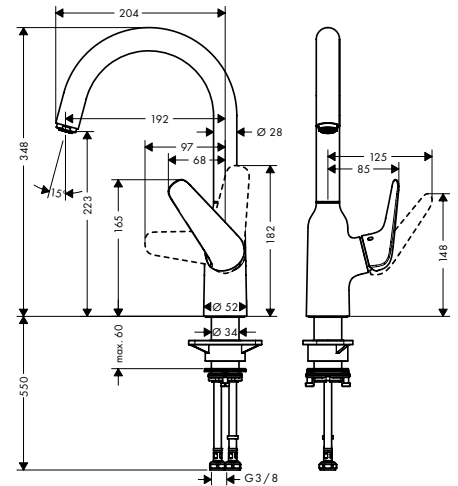
Focus M42

Single lever kitchen mixer 220, 1jet
71802, -000, -800



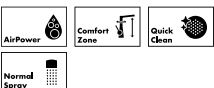
Features

- ComfortZone 220
- swivel range 360°
- normal spray
- connection dimension: DN15
- maximum flow rate at 3 bar: 10 l/min
- ceramic cartridge
- connection type: G 3/8 connections
- temperature limitation adjustable
- suitable for continuous flow water heaters



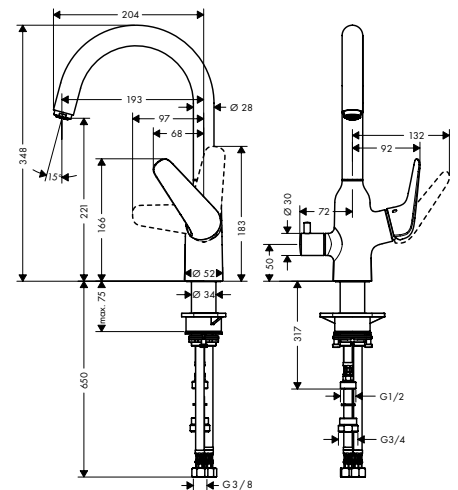
Focus M42

Single lever kitchen mixer 220, device shut-off valve,
1jet
71803, -000



Features

- ComfortZone 220
- swivel range adjustable in 2 steps 110° or 360°
- normal spray
- with integrated shut-off valve
- connection dimension: DN15
- maximum flow rate at 3 bar: 10 l/min
- ceramic cartridge
- connection type: G 3/8 connections
- temperature limitation adjustable
- suitable for continuous flow water heaters





Focus M42

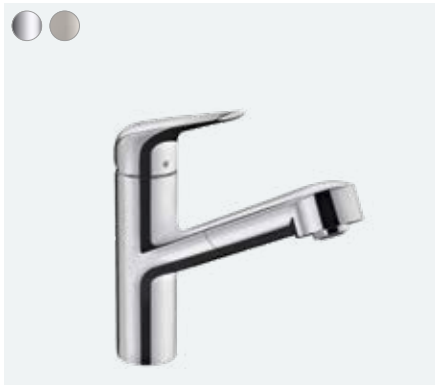
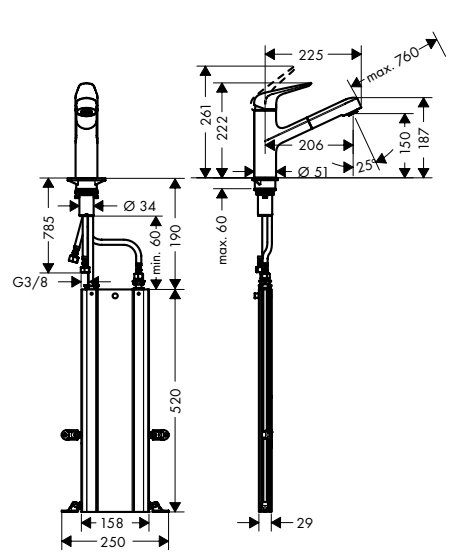
Single lever kitchen mixer 150, pull-out spout, 1jet, sBox

71829, -000, -800



Features

- consists of: single lever kitchen mixer, hose box
- ComfortZone 150
- swivel range 120°
- normal spray
- MagFit magnetic shower support
- connection dimension: DN15
- maximum flow rate at 3 bar: 8 l/min
- ceramic cartridge
- connection type: G 3/8 connections
- temperature limitation adjustable
- integrated non-return valve
- suitable for continuous flow water heaters
- sBox for quiet, smooth and protected hose guidance in the cabinet, under the countertop
- extension length up to 76 cm



Focus M42

Single lever kitchen mixer 150, pull-out spout, 1jet

71814, -000, -800

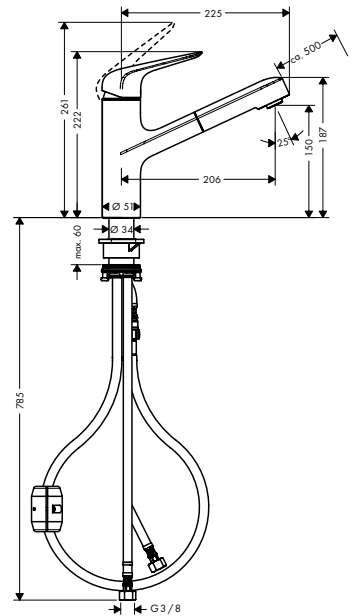
Single lever kitchen mixer 150, Eco, pull-out spout, 1jet

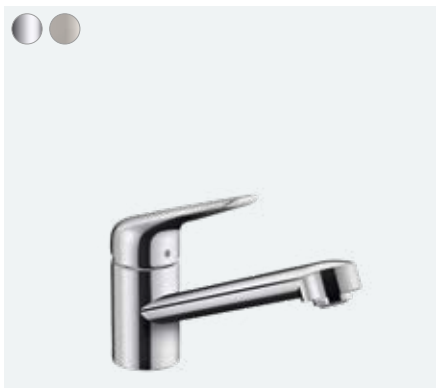
71865, -000



Features

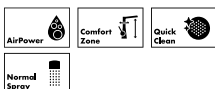
- ComfortZone 150
- swivel range 120°
- normal spray
- MagFit magnetic shower support
- quick connect hose
- connection dimension: DN15
- maximum flow rate at 3 bar: 8 l/min
- ceramic cartridge
- connection type: G 3/8 connections
- temperature limitation adjustable
- integrated non-return valve
- suitable for continuous flow water heaters





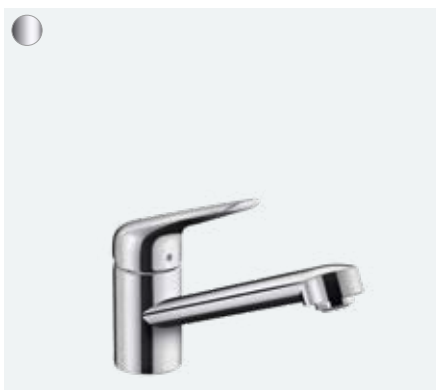
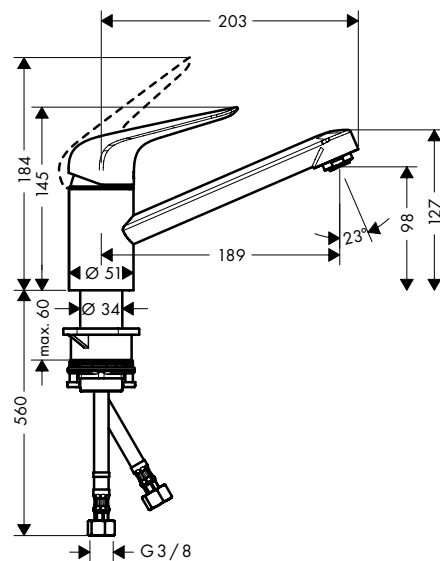
Focus M42

Single lever kitchen mixer 100, 1jet
71808, -000, -800



Features

- ComfortZone 100
- swivel range 360°
- normal spray
- connection dimension: DN15
- maximum flow rate at 3 bar: 12 l/min
- ceramic cartridge
- connection type: G 3/8 connections
- temperature limitation adjustable
- suitable for continuous flow water heaters



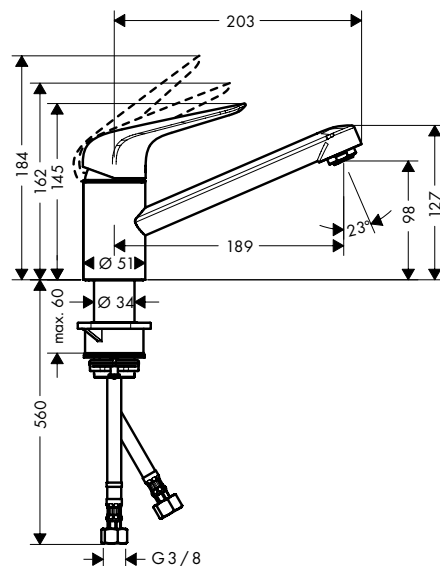
Focus M42

Single lever kitchen mixer 100, CoolStart, EcoSmart, 1jet
71809, -000
Single lever kitchen mixer 100, CoolStart, Eco, 1jet
71866, -000



Features

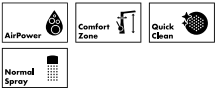
- ComfortZone 100
- cold water in middle position
- swivel range 360°
- normal spray
- connection dimension: DN15
- maximum flow rate at 3 bar: 12 l/min
- ceramic cartridge with Eco handle position for a reduced flowrate by up to 50%
- connection type: G 3/8 connections
- temperature limitation adjustable
- suitable for continuous flow water heaters





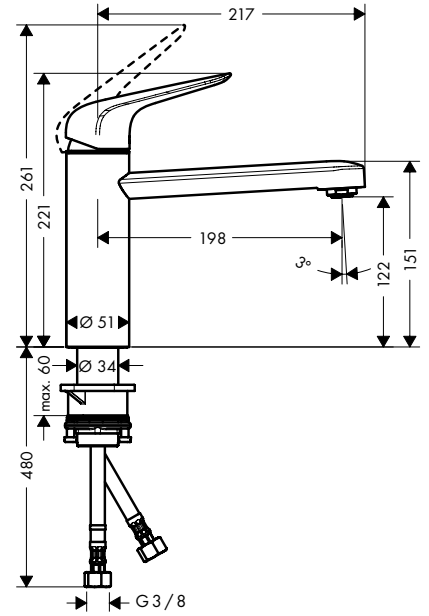
Focus M42

Single lever kitchen mixer 120, 1jet
71806, -000, -800



Features

- ComfortZone 120
- swivel range 360°
- normal spray
- connection dimension: DN15
- maximum flow rate at 3 bar: 12 l/min
- ceramic cartridge
- connection type: G 3/8 connections
- temperature limitation adjustable
- suitable for continuous flow water heaters



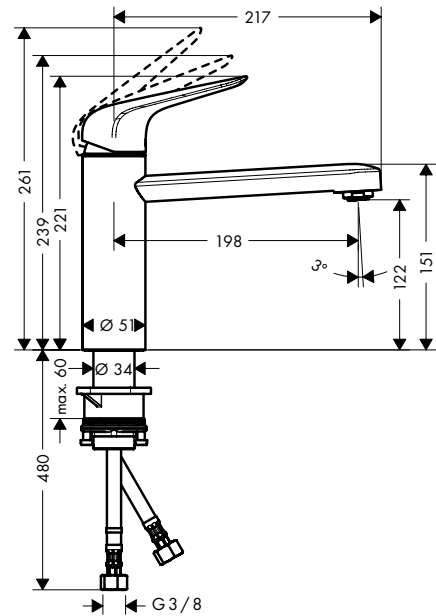
Focus M42

Single lever kitchen mixer 120, CoolStart, EcoSmart, 1jet
71805, -000
Single lever kitchen mixer 120, CoolStart, Eco, 1jet
71864, -000



Features

- ComfortZone 120
- cold water in middle position
- swivel range 360°
- normal spray
- connection dimension: DN15
- maximum flow rate at 3 bar: 12 l/min
- ceramic cartridge with Eco handle position for a reduced flowrate by up to 50%
- connection type: G 3/8 connections
- temperature limitation adjustable
- suitable for continuous flow water heaters



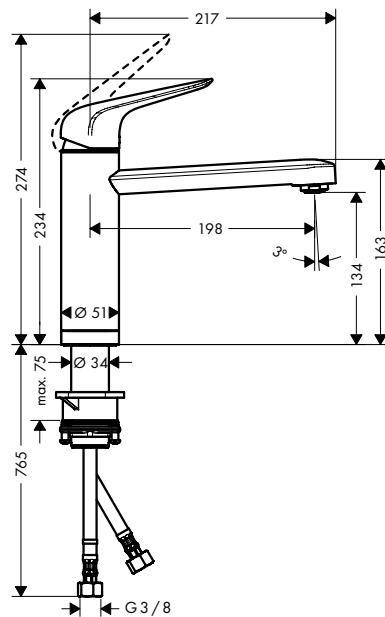
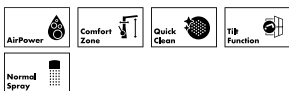


Features

- ComfortZone 120
- swivel range 360°
- installation in front of the window, can be laid flat, base height 51 mm
- normal spray
- connection dimension: DN15
- maximum flow rate at 3 bar: 12 l/min
- ceramic cartridge
- connection type: G 3/8 connections
- temperature limitation adjustable
- suitable for continuous flow water heaters

Focus M42

Single lever kitchen mixer 120, installation in front of a window, 1jet
71807, -000

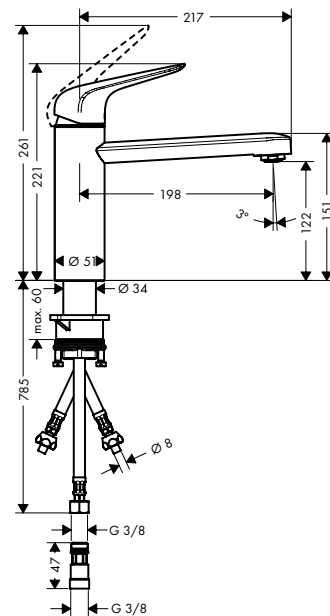
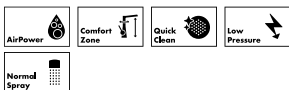


Features

- for vented hot water cylinders (no pressure)
- ComfortZone 120
- swivel range 360°
- normal spray
- connection dimension: DN15
- maximum flow rate at 3 bar: 5 l/min
- ceramic cartridge
- connection type: G 3/8 connections
- temperature limitation adjustable
- not suitable for continuous flow water heaters

Focus M42

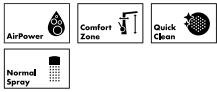
Single lever kitchen mixer 120, LowPressure/vented hot water cylinders, 1jet
71804, -000





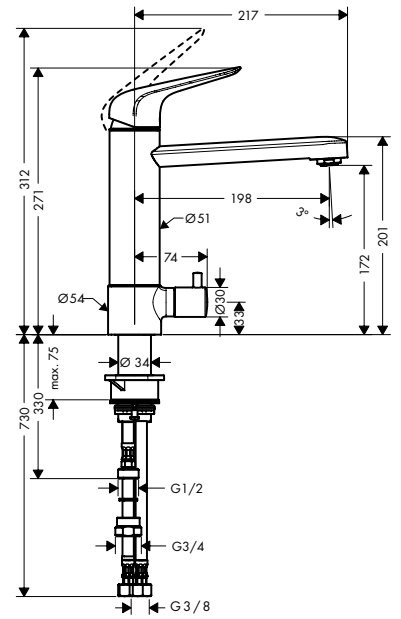
Focus M42

Single lever kitchen mixer 180, device shut-off valve, 1 jet
71813, -000



Features

- ComfortZone 180
- swivel range adjustable in 2 steps 120° or 360°
- normal spray
- with integrated shut-off valve
- connection dimension: DN15
- maximum flow rate at 3 bar: 12 l/min
- ceramic cartridge
- connection type: G 3/8 connections
- temperature limitation adjustable
- suitable for continuous flow water heaters





For a balanced life

Zesis M33 New



Individual: Choice of three finishes: chrome, stainless steel and matte black.



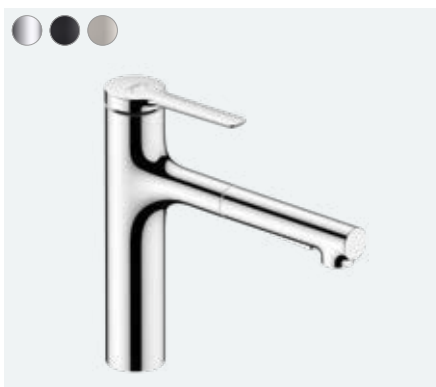
Variable: Switch between two spray types at the touch of a button: laminar and shower.



sBox lite: Installation with the sBox lite ensures safe hose routing and keeps things neat under the sink.

Advantages and benefits

- Minimalist design with extensive functionality
- Saves time, water and energy, speeding up work at the sink
- Excellent price/performance ratio
- One click installation of the retractable hose weight
- More flexibility thanks to the sBox lite



Zesis M33

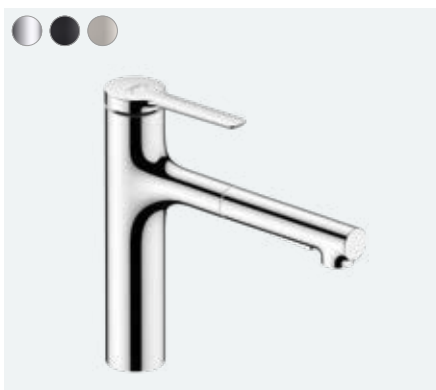
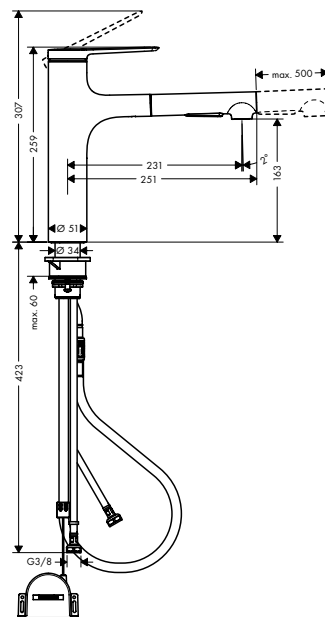
Single lever kitchen mixer, 160, pull-out spray, 2jet, sBox lite

74804, -000, -670, -800



Features

- ComfortZone 160
- swivel range 150°
- laminar spray, shower spray
- lockable shower spray, spray returns through pressing spray diverter and spray returns automatically through handle closing
- MagFit magnetic shower support
- quick connect hose
- connection dimension: DN15
- maximum flow rate at 3 bar: 8,2 l/min
- ceramic cartridge
- connection type: G 3/8 connections
- temperature limitation adjustable
- integrated non-return valve
- suitable for continuous flow water heaters
- sBox lite for a smooth, flexible and safe hose guidance in the cabinet
- extension length up to 50 cm



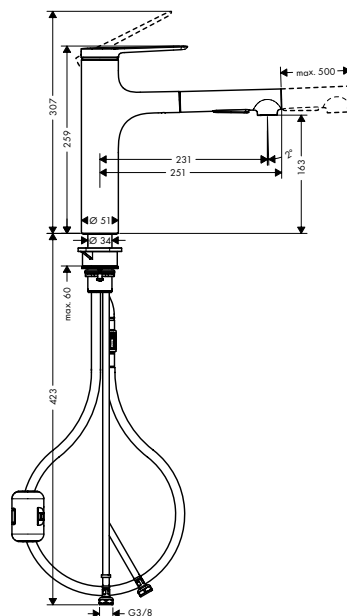
Zesis M33

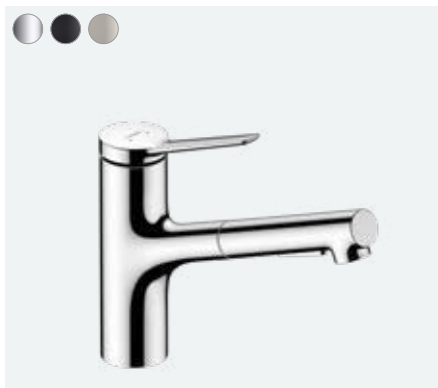
Single lever kitchen mixer 160, pull-out spray, 2jet # 74801, -000, -670, -800



Features

- ComfortZone 160
- swivel range 150°
- laminar spray, shower spray
- lockable shower spray, spray returns through pressing spray diverter and spray returns automatically through handle closing
- MagFit magnetic shower support
- quick connect hose
- connection dimension: DN15
- maximum flow rate at 3 bar: 8,2 l/min
- ceramic cartridge
- connection type: G 3/8 connections
- temperature limitation adjustable
- integrated non-return valve
- suitable for continuous flow water heaters





Zesis M33

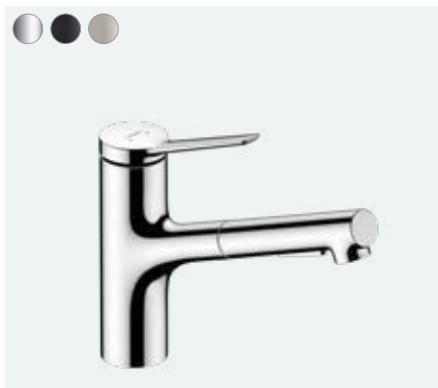
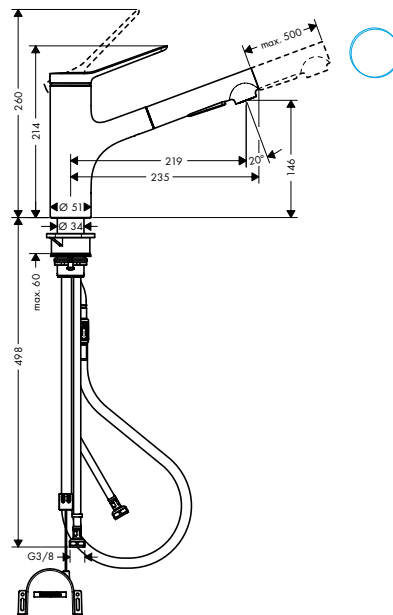
Single lever kitchen mixer 150, pull-out spray, 2jet, sBox lite

74803, -000, -670, -800



Features

- ComfortZone 150
- swivel range 150°
- laminar spray, shower spray
- lockable shower spray, spray returns through pressing spray diverter and spray returns automatically through handle closing
- quick connect hose
- connection dimension: DN15
- maximum flow rate at 3 bar: 8,2 l/min
- ceramic cartridge
- connection type: G 3/8 connections
- temperature limitation adjustable
- integrated non-return valve
- suitable for continuous flow water heaters
- sBox lite for a smooth, flexible and safe hose guidance in the cabinet
- extension length up to 50 cm



Zesis M33

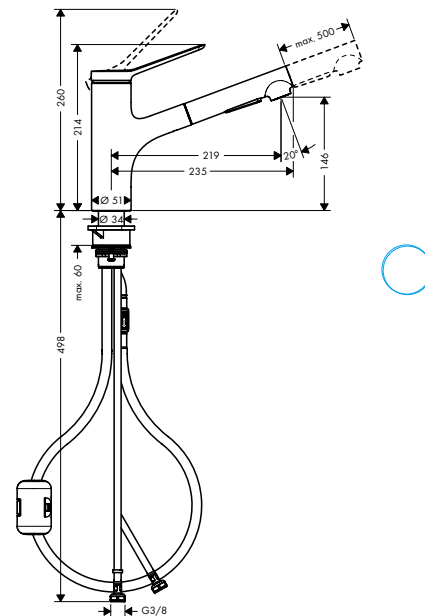
Single lever kitchen mixer 150, pull-out spray, 2jet # 74800, -000, -670, -800

Single lever kitchen mixer 150, Eco, pull-out spray, 2jet # 74810, -000



Features

- ComfortZone 150
- swivel range 150°
- laminar spray, shower spray
- lockable shower spray, spray returns through pressing spray diverter and spray returns automatically through handle closing
- quick connect hose
- connection dimension: DN15
- maximum flow rate at 3 bar: 8,2 l/min
- ceramic cartridge
- connection type: G 3/8 connections
- temperature limitation adjustable
- integrated non-return valve
- suitable for continuous flow water heaters





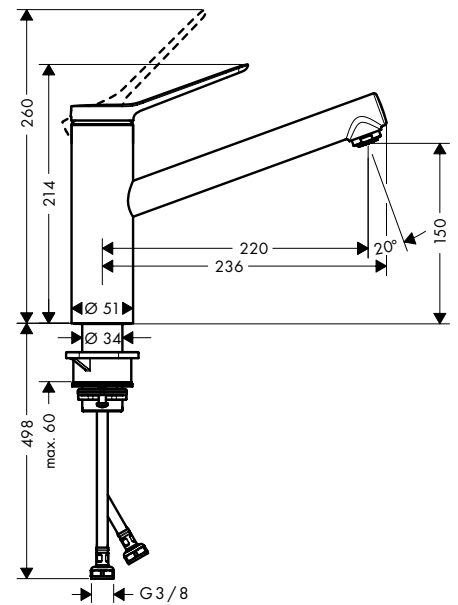
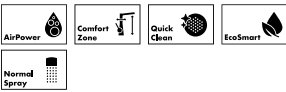
Features

- ComfortZone 150
- swivel range adjustable in 3 steps 60°, 110° or 360°
- normal spray
- connection dimension: DN15
- maximum flow rate at 3 bar: 11,6 l/min
- ceramic cartridge
- connection type: G 3/8 connections
- temperature limitation adjustable
- suitable for continuous flow water heaters

Zesis M33

Single lever kitchen mixer 150, 1jet
74802, -000, -670, -800

Single lever kitchen mixer 150, Eco, 1jet
74811, -000



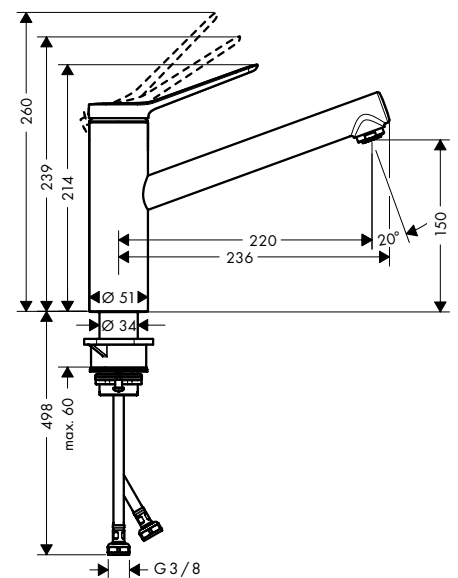
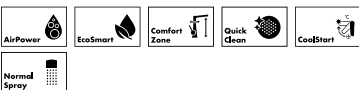
Features

- ComfortZone 150
- cold water in middle position
- swivel range adjustable in 2 steps 60° or 110°
- normal spray
- connection dimension: DN15
- maximum flow rate at 3 bar: 7,6 l/min
- ceramic cartridge with Eco handle position for a reduced flowrate by up to 50%
- connection type: G 3/8 connections
- temperature limitation adjustable
- suitable for continuous flow water heaters

Zesis M33

Single lever kitchen mixer 150, CoolStart, EcoSmart,
1jet

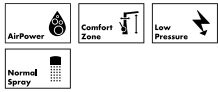
74813, -000





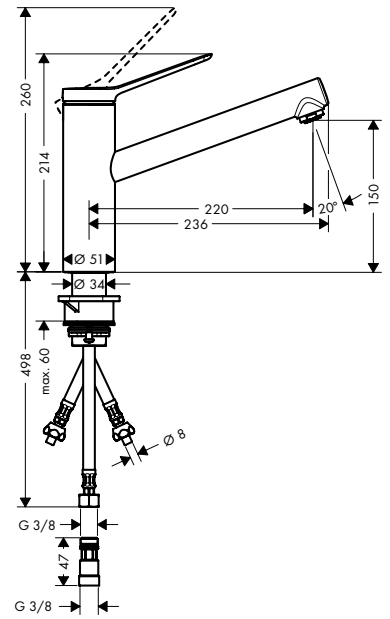
Zesis M33

Single lever kitchen mixer 150, LowPressure/vented hot water cylinders, 1jet
74806,-000



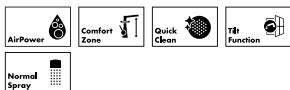
Features

- for vented hot water cylinders (no pressure)
- ComfortZone 150
- swivel range adjustable in 3 steps 60°, 110° or 360°
- normal spray
- connection dimension: DN15
- maximum flow rate at 3 bar: 4 l/min
- ceramic cartridge
- connection type: G 3/8 connections
- temperature limitation adjustable
- not suitable for continuous flow water heaters



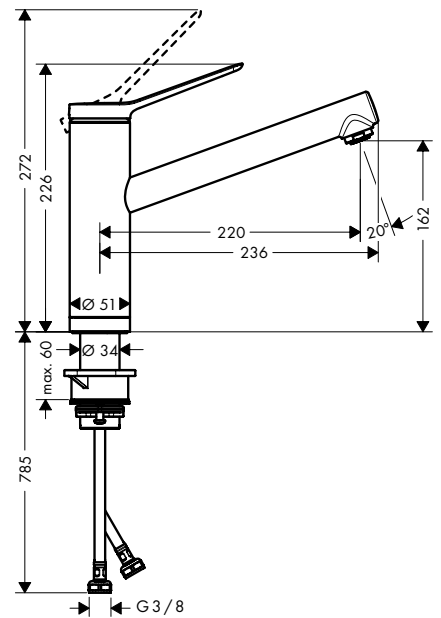
Zesis M33

Single lever kitchen mixer 160, installation in front of a window, 1jet
74805,-000



Features

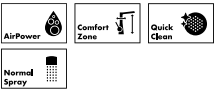
- ComfortZone 160
- swivel range 150°
- installation in front of the window, can be laid flat, base height 51 mm
- normal spray
- connection dimension: DN15
- maximum flow rate at 3 bar: 11,6 l/min
- ceramic cartridge
- connection type: G 3/8 connections
- temperature limitation adjustable
- suitable for continuous flow water heaters





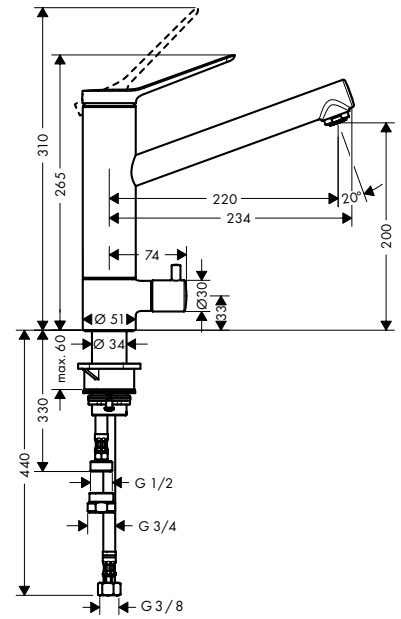
Zesis M33

Single lever kitchen mixer 200, device shut-off valve, 1jet
74808, -000



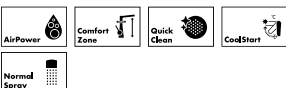
Features

- ComfortZone 200
- swivel range adjustable in 2 steps 60° or 110°
- normal spray
- with integrated shut-off valve
- connection dimension: DN15
- maximum flow rate at 3 bar: 11,4 l/min
- ceramic cartridge
- connection type: G 3/8 connections
- temperature limitation adjustable
- suitable for continuous flow water heaters



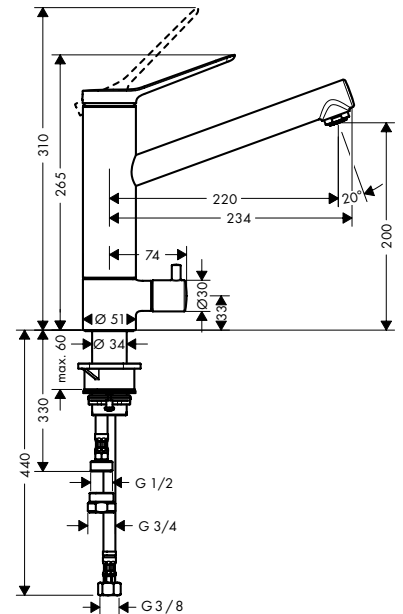
Zesis M33

Single lever kitchen mixer 200, device shut-off valve, CoolStart, 1jet
74807, -000



Features

- ComfortZone 200
- cold water in middle position
- swivel range adjustable in 2 steps 60° or 110°
- normal spray
- with integrated shut-off valve
- connection dimension: DN15
- maximum flow rate at 3 bar: 11,4 l/min
- ceramic cartridge
- connection type: G 3/8 connections
- temperature limitation adjustable
- suitable for continuous flow water heaters



Top quality at a great price

Logis M31



AirPower: Air is added via the spray disc, resulting in a fuller, lighter and softer jet of water.



ComfortZone: The ultra high spout offers plenty of space and is ideal for filling large containers and pots.

Advantages and benefits

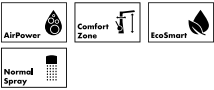
- Wide product range at an attractive price
- Different ComfortZone heights for individual sink requirements
- Modern design that will look great in any kitchen setting
- Large handle design for sturdy handling
- Easy to clean: thanks to the large areas and precise transitions



Logis M31

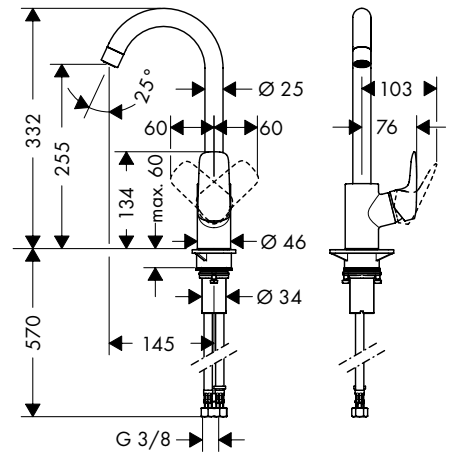
Single lever kitchen mixer 260, 1jet
71835, -000

Single lever kitchen mixer 260, Eco, 1jet
71861, -000



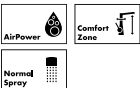
Features

- handle can be positioned on the right or left
- ComfortZone 260
- swivel range adjustable in 3 steps 110°, 150° or 360°
- normal spray
- connection dimension: DN15
- maximum flow rate at 3 bar: 12 l/min
- ceramic cartridge
- connection type: G 3/8 connections
- temperature limitation adjustable
- suitable for continuous flow water heaters



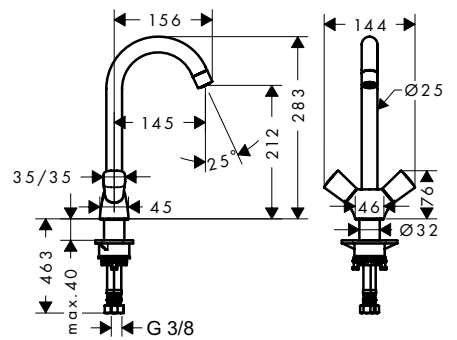
Logis M31

2-handle kitchen mixer 220, 1jet
71280, -000



Features

- ComfortZone 220
- swivel range adjustable in 3 steps 110°, 150° or 360°
- normal spray
- connection dimension: DN15
- maximum flow rate at 3 bar: 12 l/min
- ceramic valves hot/ cold 90°
- connection type: G 3/8 connections
- suitable for continuous flow water heaters





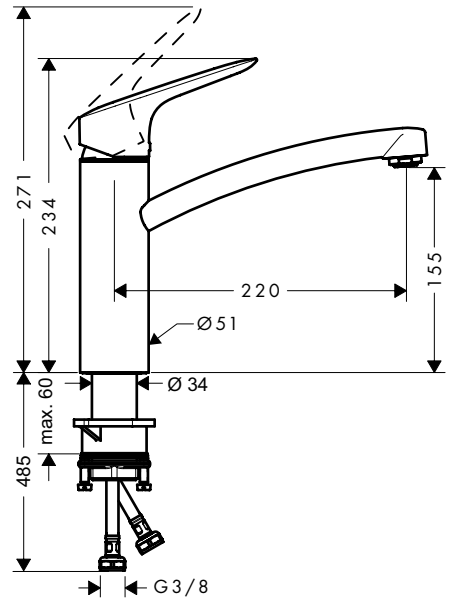
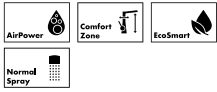
Features

- ComfortZone 160
- swivel range 360°
- normal spray
- connection dimension: DN15
- maximum flow rate at 3 bar: 12 l/min
- ceramic cartridge
- connection type: G 3/8 connections
- temperature limitation adjustable
- suitable for continuous flow water heaters

Logis M31

Single lever kitchen mixer 160, 1jet
71832, -000

Single lever kitchen mixer 160, Eco, 1jet
71860, -000

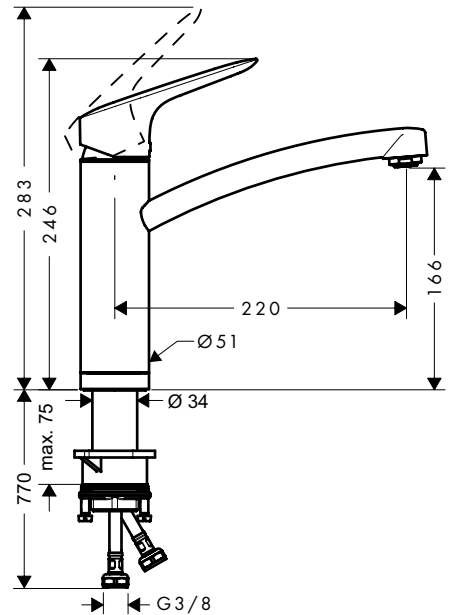
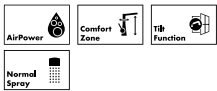


Features

- ComfortZone 160
- swivel range 150°
- installation in front of the window, can be laid flat, base height 51 mm
- normal spray
- connection dimension: DN15
- maximum flow rate at 3 bar: 12 l/min
- ceramic cartridge
- connection type: G 3/8 connections
- temperature limitation adjustable
- suitable for continuous flow water heaters

Logis M31

Single lever kitchen mixer 160, installation in front of a window, 1jet
71833, -000





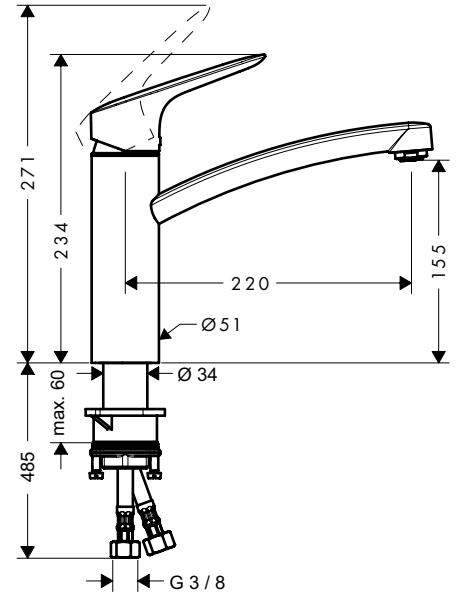
Logis M31

Single lever kitchen mixer 160, CoolStart, EcoSmart, 1jet
71839, -000



Features

- ComfortZone 160
- cold water in middle position
- swivel range 360°
- normal spray
- connection dimension: DN15
- maximum flow rate at 3 bar: 6 l/min
- ceramic cartridge with Eco handle position for a reduced flowrate by up to 50%
- connection type: G 3/8 connections
- temperature limitation adjustable
- suitable for continuous flow water heaters



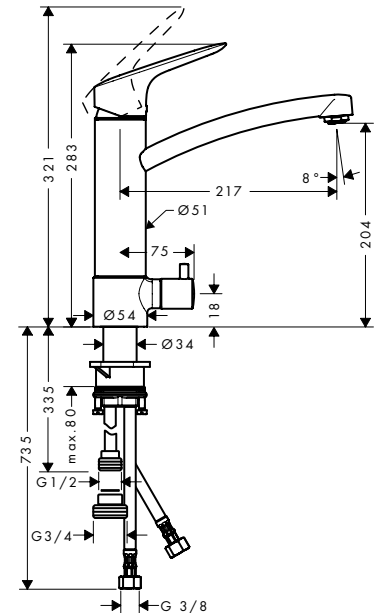
Logis M31

Single lever kitchen mixer 220, device shut-off valve, 1jet
71834, -000



Features

- ComfortZone 220
- swivel range 120°
- normal spray
- connection dimension: DN15
- maximum flow rate at 3 bar: 12 l/min
- ceramic cartridge
- connection type: G 3/8 connections
- temperature limitation adjustable
- suitable for continuous flow water heaters

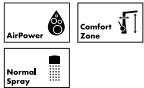


Kitchen mixer



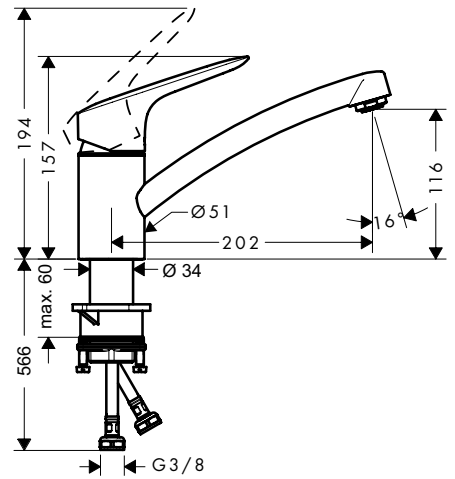
Logis M31

Single lever kitchen mixer 120, 1jet
71830, -000



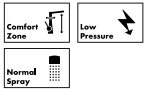
Features

- ComfortZone 120
- swivel range 360°
- normal spray
- connection dimension: DN15
- maximum flow rate at 3 bar: 12 l/min
- ceramic cartridge
- connection type: G 3/8 connections
- temperature limitation adjustable
- suitable for continuous flow water heaters



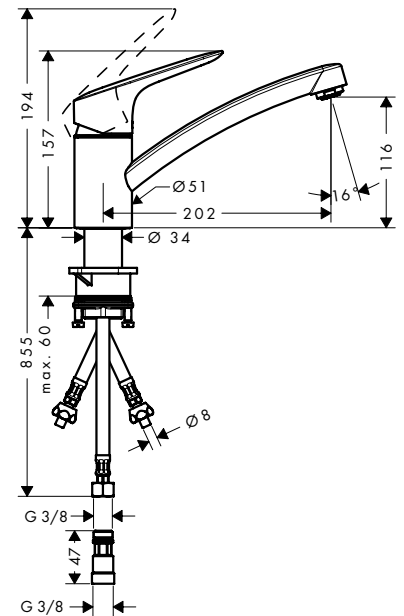
Logis M31

Single lever kitchen mixer 120, LowPressure/vented hot
water cylinders, 1jet
71831, -000



Features

- for vented hot water cylinders (no pressure)
- ComfortZone 120
- swivel range 360°
- normal spray
- connection dimension: DN15
- maximum flow rate at 3 bar: 5 l/min
- ceramic cartridge
- connection type: G 3/8 connections
- temperature limitation adjustable
- not suitable for continuous flow water heaters





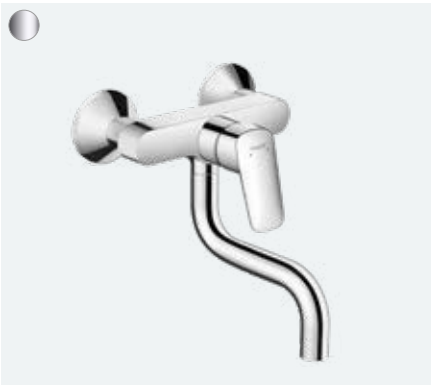
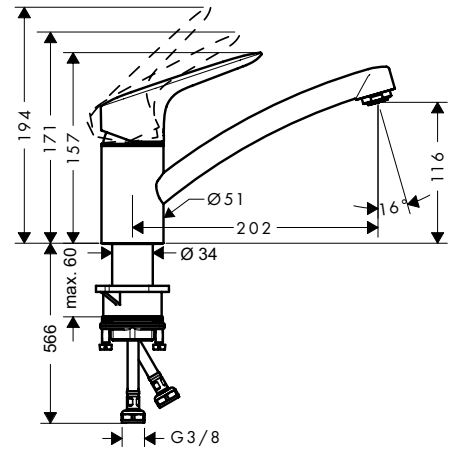
Logis M31

Single lever kitchen mixer 120, CoolStart, EcoSmart, 1jet
71837, -000



Features

- ComfortZone 120
- cold water in middle position
- swivel range 360°
- normal spray
- connection dimension: DN15
- maximum flow rate at 3 bar: 6 l/min
- ceramic cartridge with Eco handle position for a reduced flowrate by up to 50%
- connection type: G 3/8 connections
- temperature limitation adjustable
- suitable for continuous flow water heaters



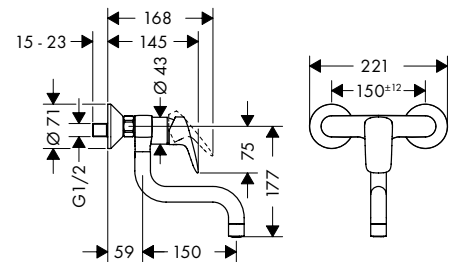
Logis M31

Single lever kitchen mixer, wall-mounted lowspout, 1jet
71836, -000



Features

- swivel range 220°
- normal spray
- centre distance 150 ± 12 mm
- connection dimension: DN15
- maximum flow rate at 3 bar: 13 l/min
- ceramic cartridge
- connection type: s-shaped connections
- temperature limitation adjustable
- suitable for continuous flow water heaters



Classic design, modern execution

Logis M32



AirPower: Air is added via the spray disc, resulting in a fuller, lighter and softer jet of water.



ComfortZone: The ultra high spout offers plenty of space and is ideal for filling large containers and pots.

Advantages and benefits

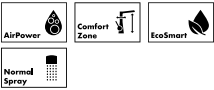
- 2-handle kitchen tap
- Different ComfortZone heights for individual sink requirements
- Classic design
- Large handle design for sturdy handling
- Easy to clean: thanks to the large areas and precise transitions



Logis M32

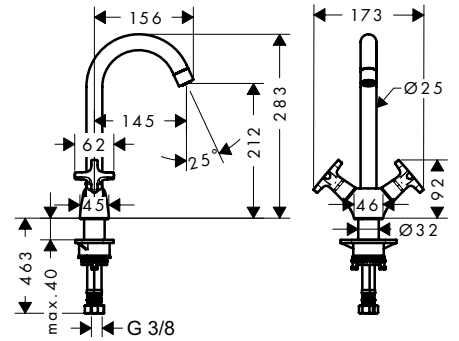
2-handle kitchen mixer 220, 1jet
71285, -000

2-handle kitchen mixer 220, Eco, 1jet
71283, -000



Features

- ComfortZone 220
- swivel range adjustable in 3 steps 110°, 150° or 360°
- normal spray
- connection dimension: DN15
- maximum flow rate at 3 bar: 12 l/min
- ceramic valves 90°
- connection type: G 3/8 connections
- suitable for continuous flow water heaters



Logis M32

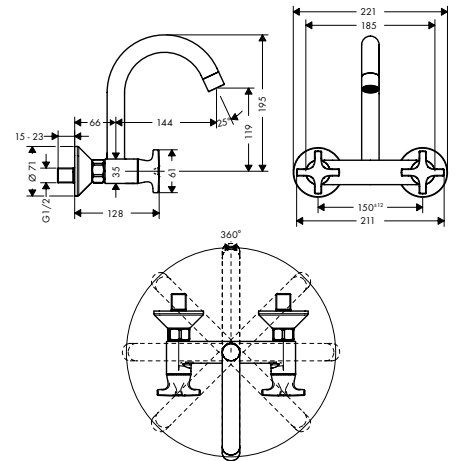
2-handle kitchen mixer, wall-mounted, highspout, 1jet
71286, -000

2-handle kitchen mixer, Eco, wall-mounted highspout,
1jet
71284, -000



Features

- swivel range 360°
- normal spray
- centre distance 150 ± 12 mm
- connection dimension: DN15
- maximum flow rate at 3 bar: 15 l/min
- ceramic valves 90°
- connection type: s-shaped connections
- temperature limitation adjustable
- suitable for continuous flow water heaters





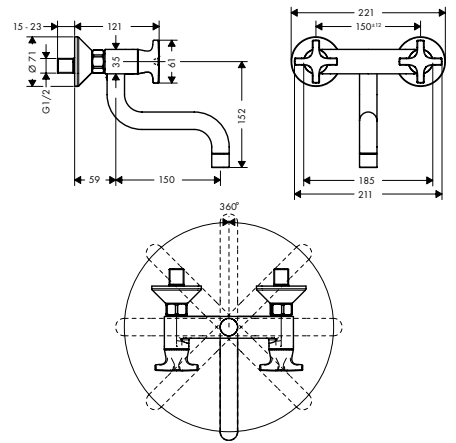
Logis M32

2-handle kitchen mixer, wall-mounted lowspout, 1jet
71287, -000



Features

- normal spray
- centre distance 150 ± 12 mm
- connection dimension: DN15
- maximum flow rate at 3 bar: 15 l/min
- ceramic valves 90°
- connection type: s-shaped connections
- temperature limitation adjustable
- suitable for continuous flow water heaters





Modern design, suitable for every kitchen

Vernis M35 New



AirPower: Air is added via the spray disc, resulting in a fuller, lighter and softer jet of water.



ComfortZone: The ultra high spout offers plenty of space and is ideal for filling large containers and pots.

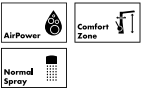
Advantages and benefits

- Excellent price/performance ratio.
- Modern design that will look great in any kitchen setting
- Large handle design for sturdy handling
- Easy to clean: thanks to the large areas and precise transitions



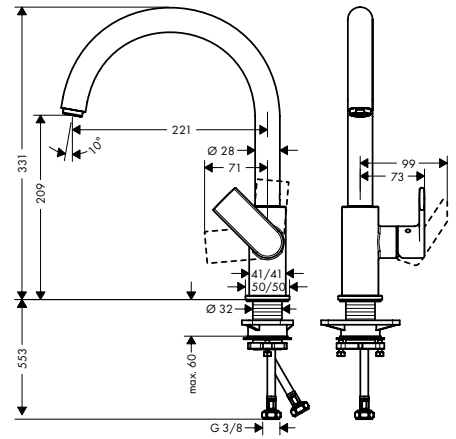
Vernis Shape M35

Single lever kitchen mixer 210 with swivel spout
71871, -000, -670



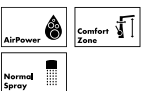
Features

- ComfortZone 210
- swivel range adjustable in 2 steps 120° or 360°
- normal spray
- connection dimension: DN15
- maximum flow rate at 3 bar: 11,1 l/min
- ceramic cartridge
- connection type: G 3/8 connections
- suitable for continuous flow water heaters



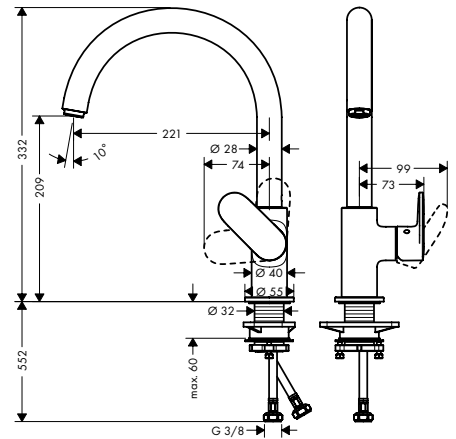
Vernis Blend M35

Single lever kitchen mixer 210 with swivel spout
71870, -000, -670



Features

- ComfortZone 210
- swivel range adjustable in 2 steps 120° or 360°
- normal spray
- connection dimension: DN15
- maximum flow rate at 3 bar: 11,1 l/min
- ceramic cartridge
- connection type: G 3/8 connections
- suitable for continuous flow water heaters



hansgrohe Water systems

Product ranges at a glance

Aqittura M91 SodaSystem



Surfaces	-000, -670, -800	-000, -670, -800
Standard	■	■
sBox	■	
Pull-out function	■	
Swivelling tap	■	■
Select digital	■	■
Push		
TwoOutlets	■	■
MemoryFunction	■	■
hansgrohe home App	■	■

Aqittura M91 FilterSystem



-000, -670, -800



-000, -670, -800



Aqittura M91 – for the perfect flow in life

With hansgrohe, you can now choose to **filter, mineralise, cool or carbonate** your tap water. The Aqittura M91 tap comes in two different versions – round and square – as well as with different functions.

Our unique mineralisation and filter technology, MINTEC®, actively enriches water with minerals while reducing harmful additives. You can also add carbonic acid to the water. This means you no longer have to buy, carry and store water bottles in your home.

A renewed focus on sustainability means many households are now choosing to reduce plastic use wherever possible. Water that no longer needs to be packaged in bottles and transported to your home significantly reduces your CO₂ footprint. Even the CO₂ bottle of the Aqittura M91 is recyclable, further reducing your household's footprint.





A healthy balance is a natural balance

With this innovative water treatment solution, hansgrohe is set to change the way you enjoy water in your home. Aqittura M91 removes impurities, odours and contaminants from tap water, making it even safer and pleasant to drink. Important minerals can be added for even greater well-being.

Still, medium or sparkling? Room temperature or extra cold? Tailor your water to your exact requirements. Aqittura M91 helps you achieve a healthy and sustainable lifestyle.



All data can be read on the SodaBase in the base cabinet. Smart living fans can also control the Aqittura M91 system digitally, performing functions such as activating holiday mode from their phone. Push notifications will be sent via the hansgrohe home app if the filter or CO₂ bottle needs changing, or cleaning is needed.

The **hansgrohe home** app is available free of charge



SodaSystem – the kitchen tap that can filter, mineralise and carbonise

Aqittura M91 NEW



Individual: Two basic shapes, each available in three finishes. Harmonious design meets perfect functionality, suitable for any modern kitchen.



User-friendly: Extend operating range by up to 76 cm using the pull-out tap and sBox.



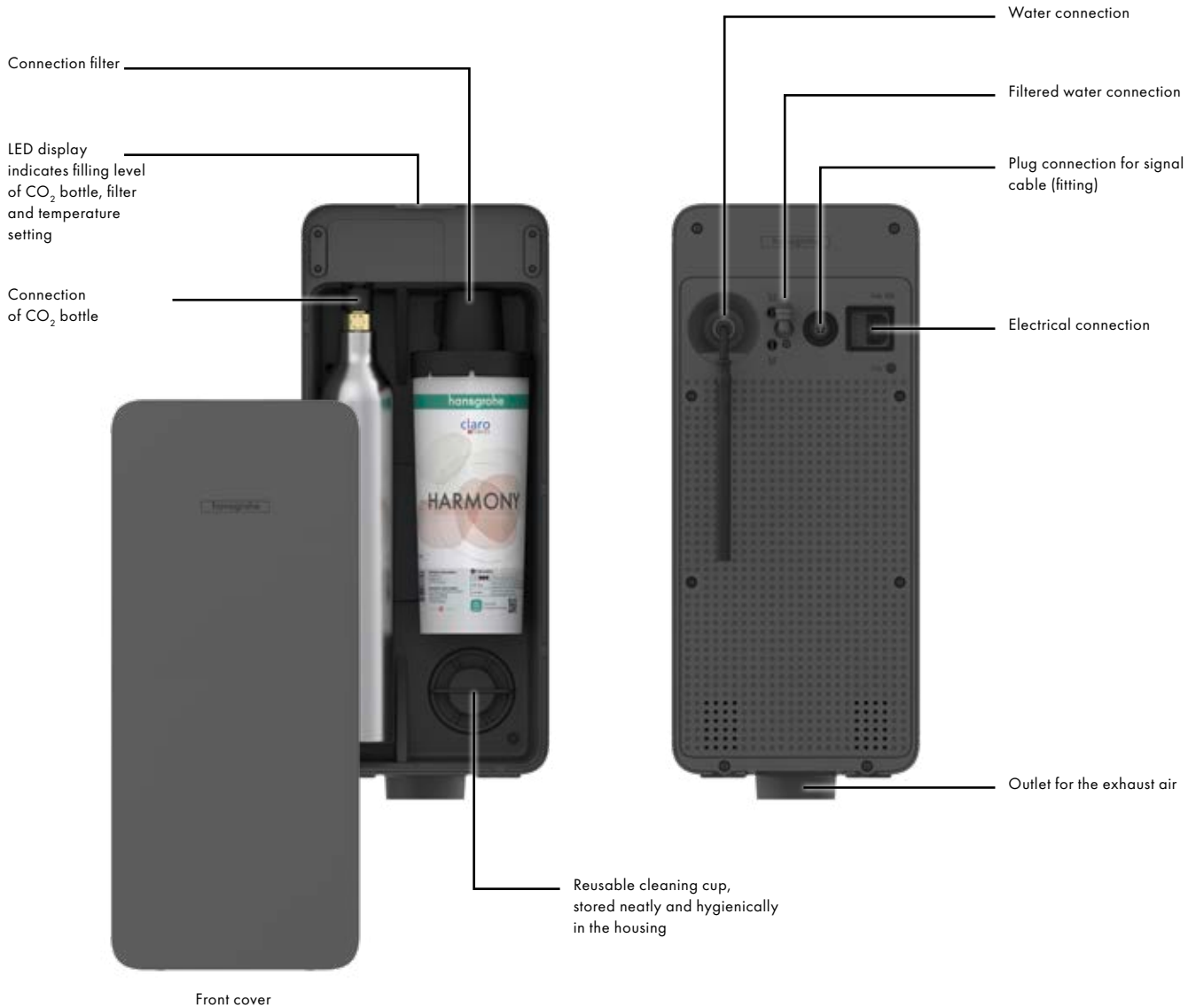
Flexible: Fits in all common base cabinets from a width of 40 cm. The SodaBase is supplied with a drilling template so that the exhaust air can escape through the base.

Advantages and benefits

- Personalised: Water for every taste with WaterRefinement Plus
- Convenient: The finest drinking water now comes from the tap. No carrying or storing water bottles
- Adaptable: Mineralising filters (Harmony, Life, Sport), filters without mineralisation (activated carbon filter) or for areas with hard water (ion exchanger with activated carbon filter)
- Variety: fizzy, medium and still water, chilled between 4 and 12°C
- Safe: two outlets for untreated and treated water
- Sustainable: Plastic waste is reduced by not using or transporting plastic bottles. Instead it uses a reusable CO₂ bottle

SodaBase – the control in the base cabinet

Aqittura M91 NEW

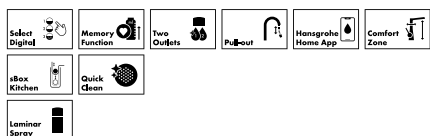


Advantages and benefits

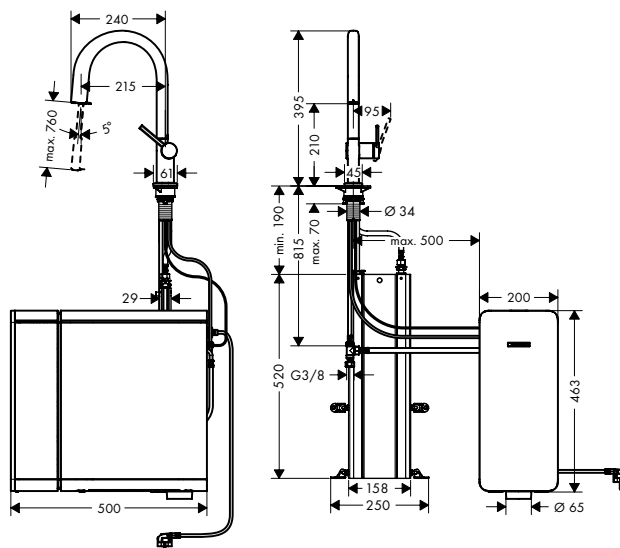
- The fill level of the filter and CO₂ bottle can be read on the LED display. When the system is integrated with the hansgrohe home app, the user receives push notifications on their phone in advance of either needing replacing
- When Holiday Mode is activated on the SodaBase, minimal energy is consumed while hygiene is maintained
- For cleaning the internal pipes, hansgrohe recommends cleaning tablets. The SodaBase is almost maintenance-free, thanks to the automatic cleaning processes
- Universal thread connection, so that most common CO₂ bottles can be connected. hansgrohe provides an initial cartridge, which can then be exchanged at many supermarkets without the need to pay a deposit
- Low noise (38 dB), energy-saving and quick cooling (15 minutes)
- SodaBase has a 2 year guarantee. Further information at [hansgrohe.com/guarantee](https://www.hansgrohe.com/guarantee)

**Aqittura M91**

SodaSystem 210, pull-out spout, 1jet, sBox
76806, -000, -670, -800



Availability in second half of 2022

**Features**

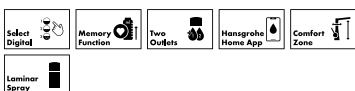
- consists of: single lever kitchen mixer, hose box, filterhead, mineralisation cartridge Harmony with filter, CO₂ bottle, SodaBase
- ComfortZone 210
- swivel range adjustable in 3 steps 60°, 110° or 150°
- laminar spray
- ceramic cartridge
- connection type: G 3/8 connections
- integrated non-return valve
- suitable for continuous flow water heaters
- sBox for quiet, smooth and protected hose guidance in the cabinet, under the countertop
- extension length up to 76 cm
- tap hole with Ø 35 mm required
- separate water supply for filtered and unfiltered water
- cooled, filtered drinking water in still, medium and sparkling via selection button on the spout
- control and monitoring of consumption data via hansgrohe home App
- 425 g CO₂ bottle for approx. 60 litres of sparkling water
- filter capacity: 300 l
- cooling capacity: 7 l/h cooled water
- push notification for low filter or CO₂ capacity (hansgrohe home App)
- power consumption: 150 W (cooling phase), 1,6 W (standby)
- power supply: 230V ±10 %

Optional accessories

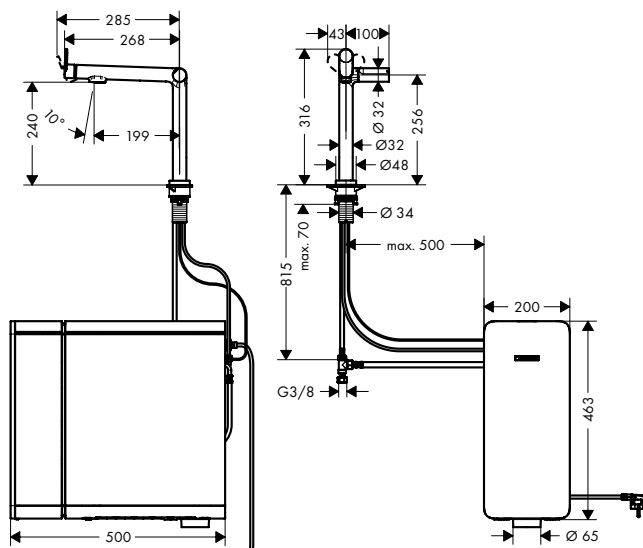
- 76814XXX Filter active carbon
- 76815XXX Filter ion exchanger and active carbon
- 76827XXX Filter ion exchanger Pro and active carbon
- 76828XXX Mineralisation and filter Harmony
- 76829XXX Mineralisation and filter Life
- 76830XXX Mineralisation and filter Sport
- 76816XXX F25 Extension set
- 76817XXX F22 Cleaning agent
- 76819XXX F24 Extension set for 2 kg CO₂ bottle



Aqittura M91
SodaSystem 240, 1jet
76810, -000, -670, -800



Availability in second half of 2022



Features

- consists of: single lever kitchen mixer, filterhead, mineralisation cartridge Harmony with filter, CO₂ bottle, SodaBase
- ComfortZone 240
- swivel range adjustable in 2 steps 60° or 110°
- laminar spray
- ceramic cartridge
- connection type: G 3/8 connections
- integrated non-return valve
- suitable for continuous flow water heaters
- tap hole with Ø 35 mm required
- separate water supply for filtered and unfiltered water
- cooled, filtered drinking water in still, medium and sparkling via selection button on the spout
- control and monitoring of consumption data via hansgrohe home App
- 425 g CO₂ bottle for approx. 60 litres of sparkling water
- filter capacity: 300 l
- cooling capacity: 7 l/h cooled water
- push notification for low filter or CO₂ capacity (hansgrohe home App)
- power consumption: 150 W (cooling phase), 1,6 W (standby)
- power supply: 230V ±10 %

Optional accessories

- 76814XXX Filter active carbon
- 76815XXX Filter ion exchanger and active carbon
- 76827XXX Filter ion exchanger Pro and active carbon
- 76828XXX Mineralisation and filter Harmony
- 76829XXX Mineralisation and filter Life
- 76830XXX Mineralisation and filter Sport
- 76816XXX F25 Extension set
- 76817XXX F22 Cleaning agent
- 76819XXX F24 Extension set for 2 kg CO₂ bottle

FilterSystem – the kitchen tap that can filter and mineralise

Aqittura M91 **NEW**



Individuality: Two basic shapes, each available in three finishes. Harmonious design meets perfect functionality, suitable for any modern kitchen.



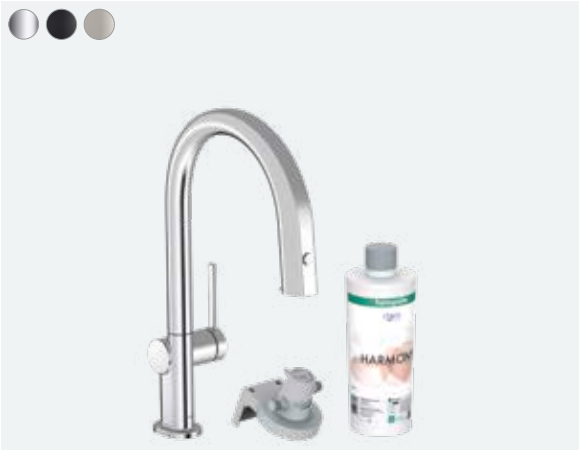
User-friendly: Extend operating range by up to 76 cm using the pull-out tap and sBox.



Flexible: Fits in all common base cabinets.

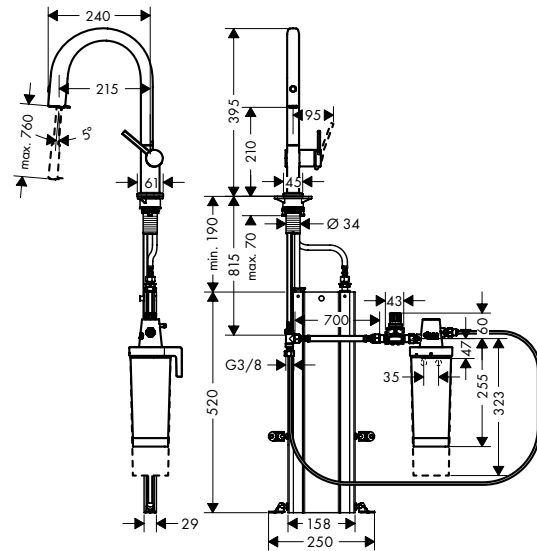
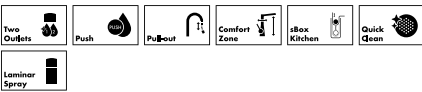
Advantages and benefits

- Personalised: Water for every taste with WaterRefinement Plus
- Convenient: The finest drinking water now comes from the tap. No carrying or storing water bottles
- Adaptable: Mineralising filters (Harmony, Life, Sport), filters without mineralisation (activated carbon filter) or for areas with hard water (ion exchanger with activated carbon filter)
- Safe: two outlets for untreated and treated water
- Sustainable: Plastic waste is reduced by not using or transporting plastic bottles



Aqittura M91

FilterSystem 210, pull-out spout, 1jet, sBox, starter set
76800, -000, -670, -800

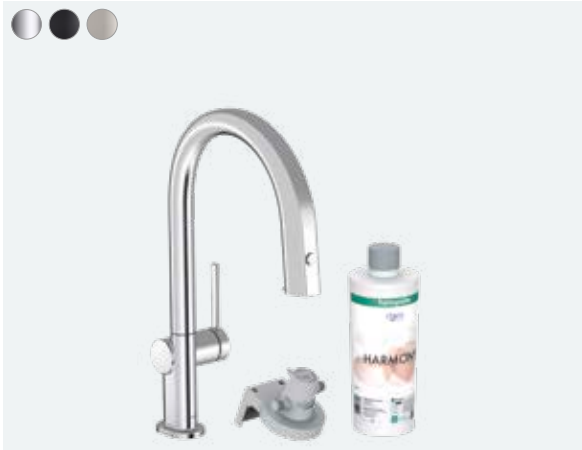


Features

- consists of: single lever kitchen mixer, hose box, filterhead, mineralisation cartridge Harmony with filter
- ComfortZone 210
- swivel range adjustable in 3 steps 60°, 110° or 150°
- laminar spray
- ceramic cartridge
- connection type: G 3/8 connections
- integrated non-return valve
- suitable for continuous flow water heaters
- sBox for quiet, smooth and protected hose guidance in the cabinet, under the countertop
- extension length up to 76 cm
- tap hole with Ø 35 mm required
- separate water supply for filtered and unfiltered water
- filtered still drinking water via push button at the spout
- filter capacity: 300 l
- filter connection: G 3/8 input and output

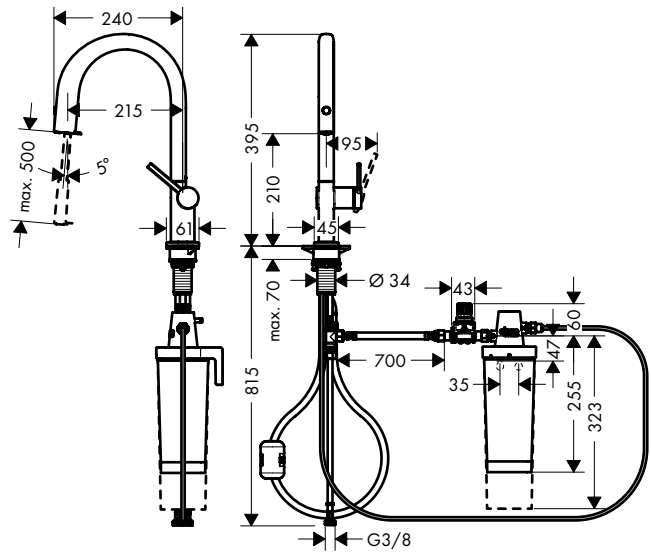
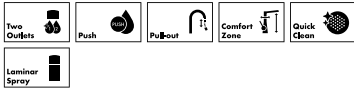
Optional accessories

- 76814XXX Filter active carbon
- 76815XXX Filter ion exchanger and active carbon
- 76827XXX Filter ion exchanger Pro and active carbon
- 76828XXX Mineralisation and filter Harmony
- 76829XXX Mineralisation and filter Life
- 76830XXX Mineralisation and filter Sport
- 76818XXX F23 Flow meter



Aqittura M91

FilterSystem 210, pull-out spout, 1jet, starter set
76801, -000, -670, -800

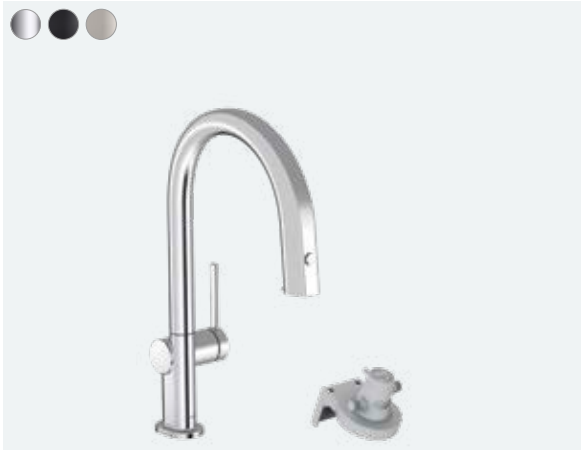


Features

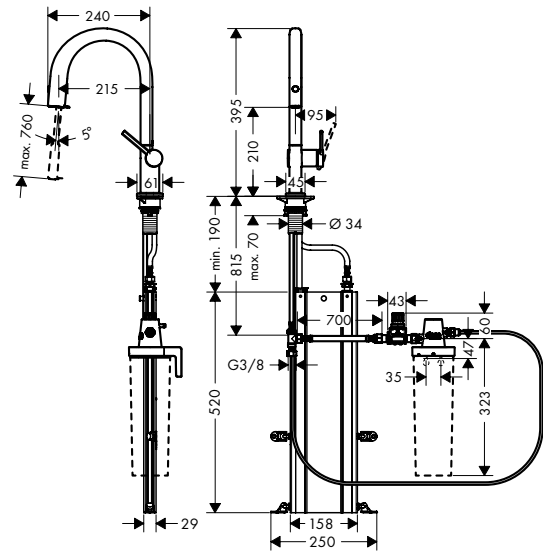
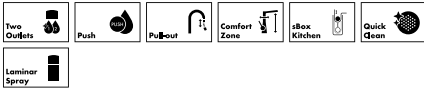
- consists of: single lever kitchen mixer, filterhead, mineralisation cartridge Harmony with filter
- ComfortZone 210
- swivel range adjustable in 3 steps 60°, 110° or 150°
- laminar spray
- ceramic cartridge
- connection type: G 3/8 connections
- integrated non-return valve
- suitable for continuous flow water heaters
- extension length up to 50 cm
- tap hole with Ø 35 mm required
- separate water supply for filtered and unfiltered water
- filtered still drinking water via push button at the spout
- filter capacity: 300 l
- filter connection: G3/8 input and output

Optional accessories

- 76814XXX Filter active carbon
- 76815XXX Filter ion exchanger and active carbon
- 76827XXX Filter ion exchanger Pro and active carbon
- 76828XXX Mineralisation and filter Harmony
- 76829XXX Mineralisation and filter Life
- 76830XXX Mineralisation and filter Sport
- 76818XXX F23 Flow meter

**Aqittura M91**

FilterSystem 210, pull-out spout, 1jet, sBox
76826, -000, -670, -800

**Features**

- consists of: single lever kitchen mixer, hose box, filterhead
- ComfortZone 210
- swivel range adjustable in 3 steps 60°, 110° or 150°
- laminar spray
- ceramic cartridge
- connection type: G 3/8 connections
- integrated non-return valve
- suitable for continuous flow water heaters
- sBox for quiet, smooth and protected hose guidance in the cabinet, under the countertop
- extension length up to 76 cm
- tap hole with Ø 35 mm required
- separate water supply for filtered and unfiltered water
- filtered still drinking water via push button at the spout
- filter connection: G3/8 input and output

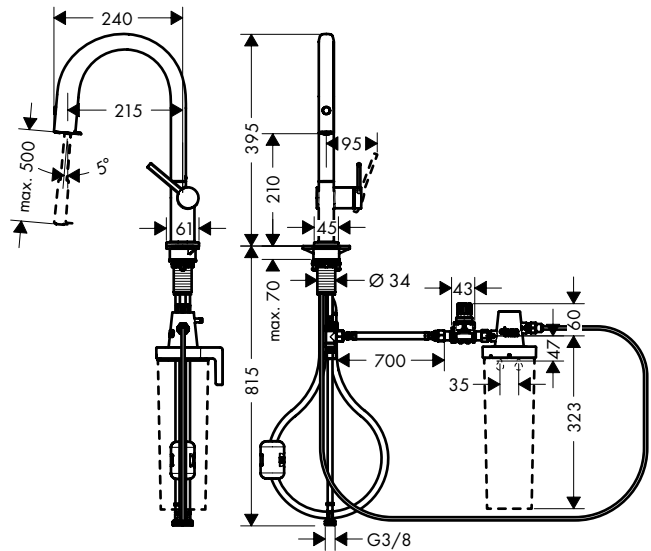
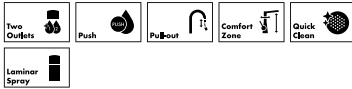
Optional accessories

- 76814XXX Filter active carbon
- 76815XXX Filter ion exchanger and active carbon
- 76827XXX Filter ion exchanger Pro and active carbon
- 76828XXX Mineralisation and filter Harmony
- 76829XXX Mineralisation and filter Life
- 76830XXX Mineralisation and filter Sport
- 76818XXX F23 Flow meter



Aqittura M91

FilterSystem 210, pull-out spout, 1jet
76803, -000, -670, -800

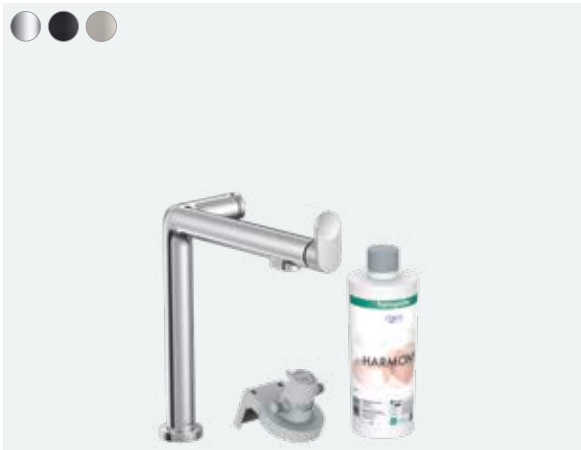


Features

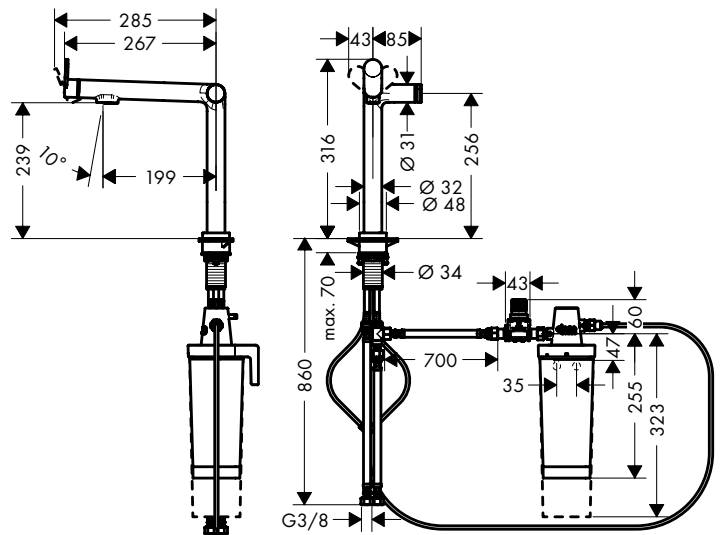
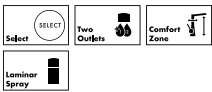
- consists of: single lever kitchen mixer, filterhead
- ComfortZone 210
- swivel range adjustable in 3 steps 60°, 110° or 150°
- laminar spray
- quick connect hose
- ceramic cartridge
- connection type: G 3/8 connections
- integrated non-return valve
- suitable for continuous flow water heaters
- extension length up to 50 cm
- tap hole with Ø 35 mm required
- separate water supply for filtered and unfiltered water
- filtered still drinking water via push button at the spout
- filter connection: G 3/8 input and output

Optional accessories

- 76827XXX Filter ion exchanger Pro and active carbon
- 76829XXX Mineralisation and filter Life
- 76830XXX Mineralisation and filter Sport
- 76818XXX F23 Flow meter
- 76814XXX Filter active carbon
- 76815XXX Filter ion exchanger and active carbon
- 76828XXX Mineralisation and filter Harmony



Aqittura M91
FilterSystem 240, 1jet, starter set
76802, -000, -670, -800

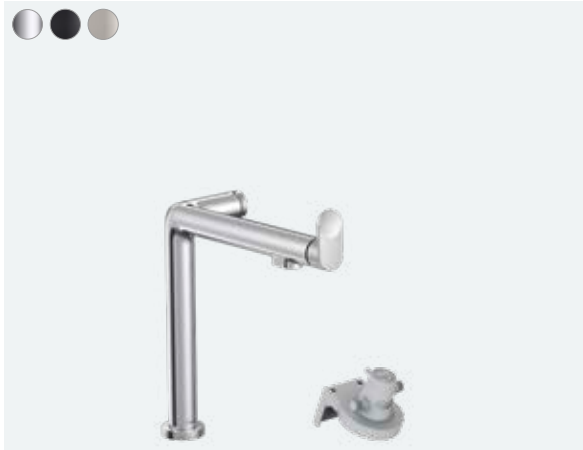


Features

- consists of: single lever kitchen mixer, filterhead, mineralisation cartridge Harmony with filter
- ComfortZone 240
- swivel range adjustable in 2 steps 60° or 110°
- laminar spray
- ceramic cartridge
- connection type: G 3/8 connections
- integrated non-return valve
- suitable for continuous flow water heaters
- tap hole with Ø 35 mm required
- separate water supply for filtered and unfiltered water
- filtered still drinking water via Select button
- filter capacity: 300 l
- filter connection: G3/8 input and output

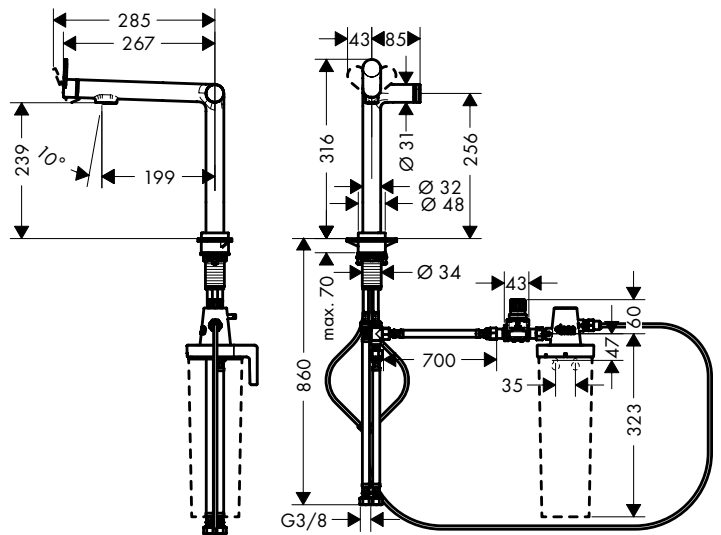
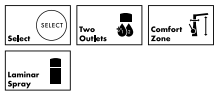
Optional accessories

- 76827XXX Filter ion exchanger Pro and active carbon
- 76829XXX Mineralisation and filter Life
- 76814XXX Filter active carbon
- 76815XXX Filter ion exchanger and active carbon
- 76828XXX Mineralisation and filter Harmony
- 76830XXX Mineralisation and filter Sport
- 76818XXX F23 Flow meter



Aqittura M91

FilterSystem 240, 1jet
76804, -000, -670, -800



Features

- consists of: single lever kitchen mixer, filterhead
- ComfortZone 240
- swivel range adjustable in 2 steps 60° or 110°
- laminar spray
- ceramic cartridge
- connection type: G 3/8 connections
- integrated non-return valve
- suitable for continuous flow water heaters
- tap hole with Ø 35 mm required
- separate water supply for filtered and unfiltered water
- filtered still drinking water via Select button
- filter connection: G 3/8 input and output

Optional accessories

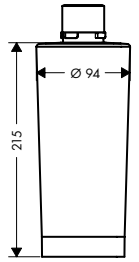
- 76814XXX Filter active carbon
- 76815XXX Filter ion exchanger and active carbon
- 76827XXX Filter ion exchanger Pro and active carbon
- 76828XXX Mineralisation and filter Harmony
- 76829XXX Mineralisation and filter Life
- 76830XXX Mineralisation and filter Sport
- 76818XXX F23 Flow meter



Filter active carbon
76814000

Features

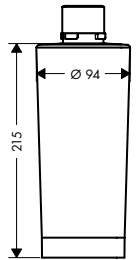
- suitable for: SodaSystem, FilterSystem
- usage: reduces harmful substances, bad odours and taste
- filter capacity: 4000 l (15° dH)
- recommended life cycle: 12 months
- connection type: 60° twist and lock connection suitable for hansgrohe filterhead



Filter ion exchanger and active carbon
76815000

Features

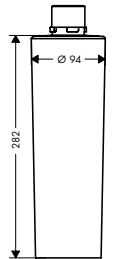
- suitable for: SodaSystem, FilterSystem
- usage: reduces the water hardness, reduces harmful substances, bad odours and taste
- filter capacity: 800 l (15° dH)
- recommended life cycle: 12 months
- connection type: 60° twist and lock connection suitable for hansgrohe filterhead



Filter ion exchanger Pro and active carbon
76827000

Features

- suitable for: SodaSystem, FilterSystem
- usage: reduces the water hardness, reduces harmful substances, bad odours and taste
- filter capacity: 1100 l (15° dH)
- recommended life cycle: 12 months
- connection type: 60° twist and lock connection suitable for hansgrohe filterhead

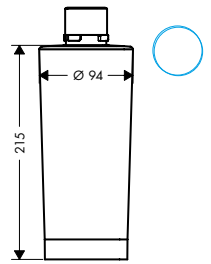




Mineralisation and filter Harmony
76828000

Features

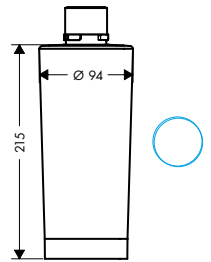
- suitable for: SodaSystem, FilterSystem
- usage: enriches water with minerals, reduces harmful substances, bad odours and taste
- filter capacity: 300 l
- medium mineral discharge (over 300 l according to WQA): 60 mg/l magnesium, 25 mg/l potassium
- recommended life cycle: 6 months
- connection type: 60° twist and lock connection suitable for hansgrohe filterhead



Mineralisation and filter Life
76829000

Features

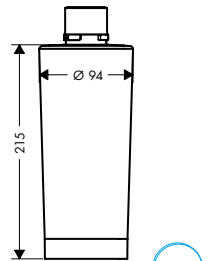
- suitable for: SodaSystem, FilterSystem
- usage: enriches water with minerals, reduces harmful substances, bad odours and taste
- filter capacity: 300 l
- medium mineral discharge (over 300 l according to WQA): 30 mg/l magnesium, 15 mg/l potassium, 70 mg/l calcium
- recommended life cycle: 6 months
- connection type: 60° twist and lock connection suitable for hansgrohe filterhead



Mineralisation and filter Sport
76830000

Features

- suitable for: SodaSystem, FilterSystem
- usage: enriches water with minerals, reduces harmful substances, bad odours and taste
- filter capacity: 300 l
- medium mineral discharge (over 300 l according to WQA): 55 mg/l magnesium, 40 mg/l potassium, 50 mg/l sodium
- recommended life cycle: 6 months
- connection type: 60° twist and lock connection suitable for hansgrohe filterhead

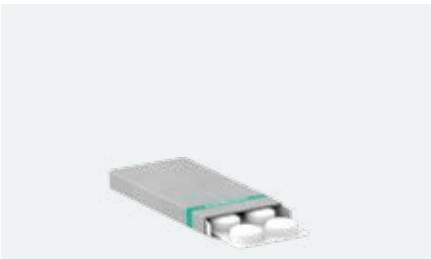




F25 Extension set
76816000

Features

- consists of: extension cable, extension hose, connector
- extension up to 5 m for SodaBase



F22 Cleaning agent
76817000

Features

- cleaning agent for SodaSystem
- dosage 2 tablets
- packaging unit: 10 tablets for 5 applications



F23 Flowmeter
76818000

Features

- measures the flow and gives an acoustic signal for filter change
- wall-mounted or mounting on the filter head
- connection dimension G 3/8









F24 Extension set for 2 kg CO₂ bottle
76819000

Features

- consists of: fixation with velcro, pressure hose, pressure reducer
- for connecting a 2 kg CO₂ bottle to the SodaSystem

hansgrohe sinks

Product ranges at a glance

	C71	C51
Sink surface	-800	-170
Surface kitchen mixers	-000, -800	-000
60 cm Base unit		
80 cm Base unit		
90 cm Base unit		
Surface-mounted installation	■	■
Flush-mounted installation	■	
Base unit installation		
sBox	■	■
Multiple spray types	■	■
Pull-out function	■	■
Swivelling tap	■	■
Select	■	■

Page 150

Page 154



A sleek look with stainless steel

C71



Finishes: For the kitchen taps, you can choose between a chrome or stainless steel finish. The sink is made of stainless steel.



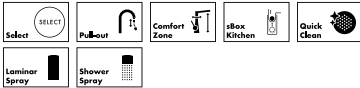
Installation options: Surface and flush mounting both possible.

Advantages and benefits:

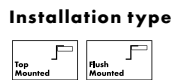
- Easy ordering process – one order number for the entire combi unit
- Easier planning than with conventional sinks: All components (kitchen tap, sink, sBox, waste unit and accessories) are included in the combi unit
- Innovative all-in-one solutions, which are both functional and perfectly coordinated with each other
- Stainless steel is heat resistant, hygienic and never rusts



C71
C71-F450-06 Sink combi 450 Select
43201, -000, -800



Base unit
60 cm



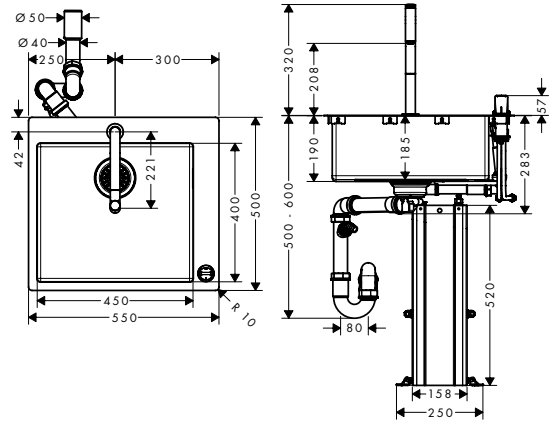
Features

- consists of: built-in sink, 2-hole single lever kitchen mixer, control unit, hose box, manual waste and overflow set
- material sink: stainless steel
- number of bowls: 1 main bowl
- tap hole and hole for control unit are pre-drilled
- sink depth: 190 mm
- cut-out dimensions: 530 x 480 mm
- cabinet size: 60 cm
- type of installation: flat on the countertop (self-rimming) or flush-mount installation
- position overflow: on the right side of the bowl
- tap ledge reinforcing for a tight and stable seating of the kitchen mixer
- corner radius: 10 mm
- connection type: G 3/8 connections
- connection dimension: DN15
- suitable for continuous flow water heaters
- ceramic cartridge
- MagFit magnetic shower support
- integrated non-return valve

- swivel range 150°
- laminar spray, shower spray
- ComfortZone 200
- Select button for a comfortable start/stop of the water flow
- sBox for quiet, smooth and protected hose guidance in the cabinet, under the countertop
- extension length up to 76 cm
- maximum flow rate at 3 bar: 8 l/min

Consisting of

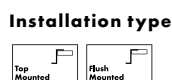
- 43921XXX Stainless steel sink
- 43921XXX D14-10 Manual waste and overflow set for single bowl
- 73818XXX 2-hole single lever kitchen mixer 200, pull-out spray, 2jet, sBox



C71
C71-F450-07 Sink combi 450 Select
with drainboard left
43205, -000, -800



Base unit
60 cm



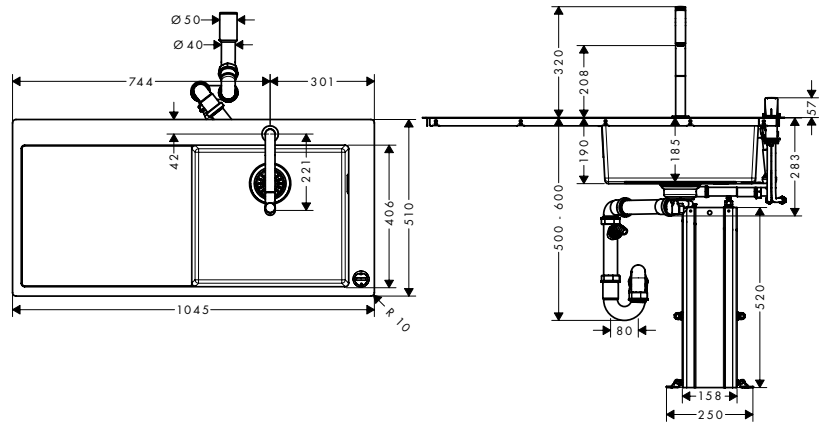
Features

- consists of: built-in sink, 2-hole single lever kitchen mixer, control unit, hose box, manual waste and overflow set
- for installation in worktops from 25 mm
- material sink: stainless steel
- number of bowls: 1 main bowl
- with drainage
- tap hole and hole for control unit are pre-drilled
- orientation: bowl right
- sink depth: 190 mm
- cut-out dimensions: 1025 x 490 mm
- cabinet size: 60 cm
- type of installation: flat on the countertop (self-rimming) or flush-mount installation
- position overflow: on the right side of the bowl
- tap ledge reinforcing for a tight and stable seating of the kitchen mixer
- corner radius: 10 mm
- connection type: G 3/8 connections
- connection dimension: DN15
- suitable for continuous flow water heaters

- ceramic cartridge
- MagFit magnetic shower support
- integrated non-return valve
- swivel range 150°
- laminar spray, shower spray
- ComfortZone 200
- Select button for a comfortable start/stop of the water flow
- sBox for quiet, smooth and protected hose guidance in the cabinet, under the countertop
- extension length up to 76 cm
- maximum flow rate at 3 bar: 8 l/min

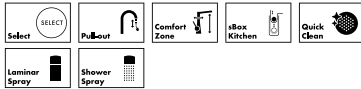
Consisting of

- 73818XXX Stainless steel sink
- 43921XXX 2-hole single lever kitchen mixer 200, pull-out spray, 2jet, sBox
- 43921XXX D14-10 Manual waste and overflow set for single bowl





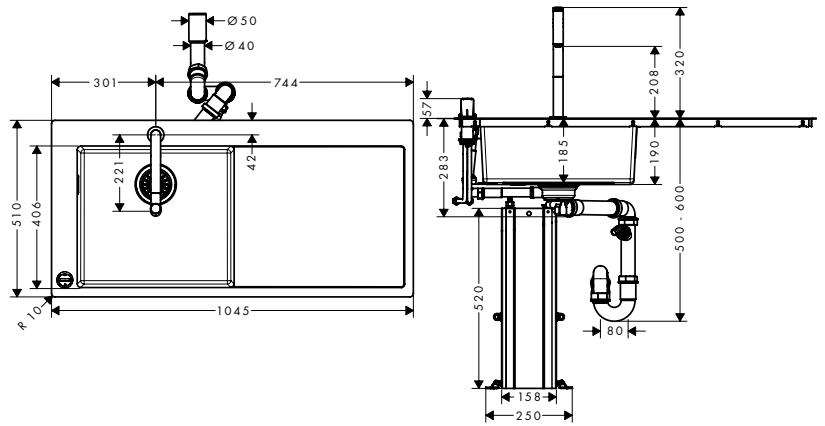
C71
C71-F450-12 Sink combi 450 Select
with drainboard right
43230, -000, -800



Base unit

60 cm

Installation type



Features

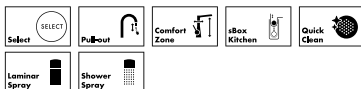
- consists of: built-in sink, 2-hole single lever kitchen mixer, control unit, hose box, manual waste and overflow set
- for installation in worktops from 25 mm
- material sink: stainless steel
- number of bowls: 1 main bowl
- with drainage
- tap hole and hole for control unit are pre-drilled
- orientation: bowl left
- sink depth: 190 mm
- cut-out dimensions: 1025 x 490 mm
- cabinet size: 60 cm
- type of installation: flat on the countertop (self-rimming) or flush-mount installation
- position overflow: on the left side of the bowl
- tap ledge reinforcing for a tight and stable seating of the kitchen mixer
- corner radius: 10 mm
- connection type: G 3/8 connections
- connection dimension: DN15
- suitable for continuous flow water heaters
- ceramic cartridge
- MagFit magnetic shower support
- integrated non-return valve
- swivel range 150°
- laminar spray, shower spray
- ComfortZone 200
- Select button for a comfortable start/stop of the water flow
- sBox for quiet, smooth and protected hose guidance in the cabinet, under the countertop
- extension length up to 76 cm
- maximum flow rate at 3 bar: 8 l/min

Consisting of

- 43921XXX Stainless steel sink
- 73818XXX D14-10 Manual waste and overflow set for single bowl
- 2-hole single lever kitchen mixer 200, pull-out spray, 2jet, sBox



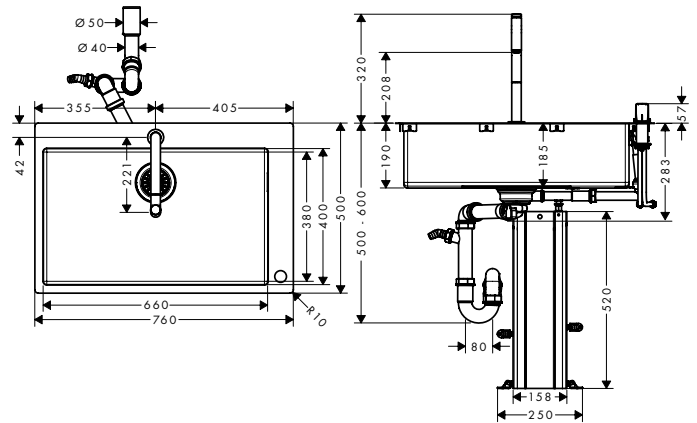
C71
C71-F660-08 Sink combi 660 Select
43202, -000, -800



Base unit

80 cm

Installation type



Features

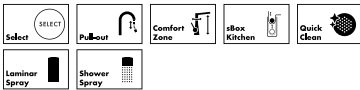
- consists of: built-in sink, 2-hole single lever kitchen mixer, control unit, hose box, manual waste and overflow set
- material sink: stainless steel
- number of bowls: 1 main bowl
- tap hole and hole for control unit are pre-drilled
- sink depth: 190 mm
- cut-out dimensions: 740 x 480 mm
- cabinet size: 80 cm
- type of installation: flat on the countertop (self-rimming) or flush-mount installation
- position overflow: on the right side of the bowl
- tap ledge reinforcing for a tight and stable seating of the kitchen mixer
- corner radius: 10 mm
- connection type: G 3/8 connections
- connection dimension: DN15
- suitable for continuous flow water heaters
- ceramic cartridge
- MagFit magnetic shower support
- integrated non-return valve
- swivel range 150°
- laminar spray, shower spray
- ComfortZone 200
- Select button for a comfortable start/stop of the water flow
- sBox for quiet, smooth and protected hose guidance in the cabinet, under the countertop
- extension length up to 76 cm
- maximum flow rate at 3 bar: 8 l/min

Consisting of

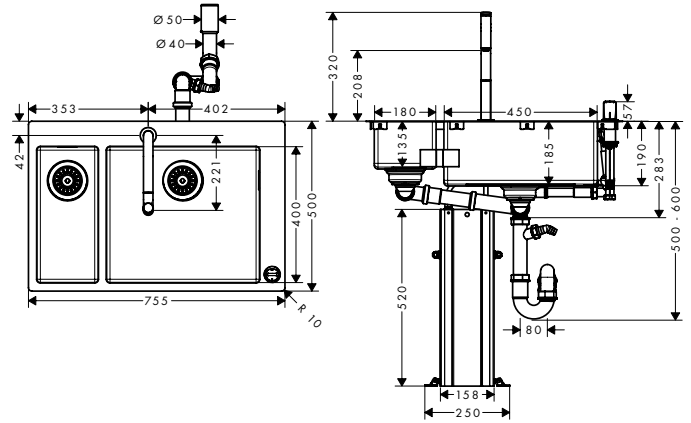
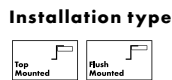
- 43921XXX Stainless steel sink
- 73818XXX D14-10 Manual waste and overflow set for single bowl
- 2-hole single lever kitchen mixer 200, pull-out spray, 2jet, sBox



C71
C71-F655-09 Sink combi 180/450 Select
43206, -000, -800



Base unit
80 cm



Features

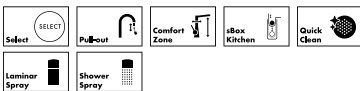
- consists of: built-in sink, 2-hole single lever kitchen mixer, control unit, hose box, manual waste and overflow set
- material sink: stainless steel
- number of bowls: 1 main bowl and 1 additional bowl
- tap hole and hole for control unit are pre-drilled
- sink depth: 190 mm
- cut-out dimensions: 735 x 480 mm
- cabinet size: 80 cm
- type of installation: flat on the countertop (self-rimming) or flush-mount installation
- position overflow: on the right side of the main bowl
- tap ledge reinforcing for a tight and stable seating of the kitchen mixer
- corner radius: 10 mm
- connection type: G 3/8 connections
- connection dimension: DN15
- suitable for continuous flow water heaters
- ceramic cartridge
- MagFit magnetic shower support
- integrated non-return valve
- swivel range 150°
- laminar spray, shower spray
- ComfortZone 200
- Select button for a comfortable start/stop of the water flow
- sBox for quiet, smooth and protected hose guidance in the cabinet, under the countertop
- extension length up to 76 cm
- maximum flow rate at 3 bar: 8 l/min

Consisting of

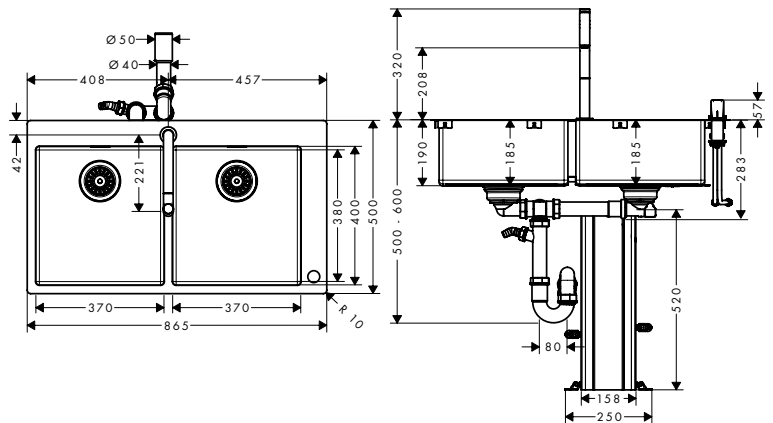
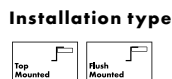
- 43922XXX Stainless steel sink
- 73818XXX D15-10 Manual waste and overflow set for double bowl
- 73818XXX 2-hole single lever kitchen mixer 200, pull-out spray, 2jet, sBox



C71
C71-F765-10 Sink combi 370/370 Select
43203, -000, -800



Base unit
90 cm



Features

- consists of: built-in sink, 2-hole single lever kitchen mixer, control unit, hose box, manual waste and overflow set
- material sink: stainless steel
- number of bowls: 2 main bowls
- tap hole and hole for control unit are pre-drilled
- sink depth: 190 mm
- cut-out dimensions: 840 x 480 mm
- cabinet size: 90 cm
- type of installation: flat on the countertop (self-rimming) or flush-mount installation
- tap ledge reinforcing for a tight and stable seating of the kitchen mixer
- corner radius: 10 mm
- connection type: G 3/8 connections
- connection dimension: DN15
- suitable for continuous flow water heaters
- ceramic cartridge
- MagFit magnetic shower support
- integrated non-return valve
- swivel range 150°
- laminar spray, shower spray
- ComfortZone 200
- Select button for a comfortable start/stop of the water flow
- sBox for quiet, smooth and protected hose guidance in the cabinet, under the countertop
- extension length up to 76 cm
- maximum flow rate at 3 bar: 8 l/min

Consisting of

- 73818XXX Stainless steel sink
- 43922XXX 2-hole single lever kitchen mixer 200, pull-out spray, 2jet, sBox
- 43922XXX D15-10 Manual waste and overflow set for double bowl

A contemporary feel with SilicaTec

C51



Finishes: The kitchen tap is in chrome and the sink is in graphite black.



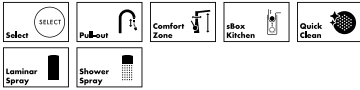
Installation options: Surface mounting possible.

Advantages and benefits:

- Simplified ordering process - one order number for the entire sink combination
- Easier planning than with conventional sinks: All components (kitchen tap, sink, sBox, waste unit and accessories) are included in the combi unit
- The smooth, non-porous surface prevents water and dirt from penetrating or sticking
- Thanks to this stone-like composite quartz material, its tough, hard surface resists scratches, knocks and dents

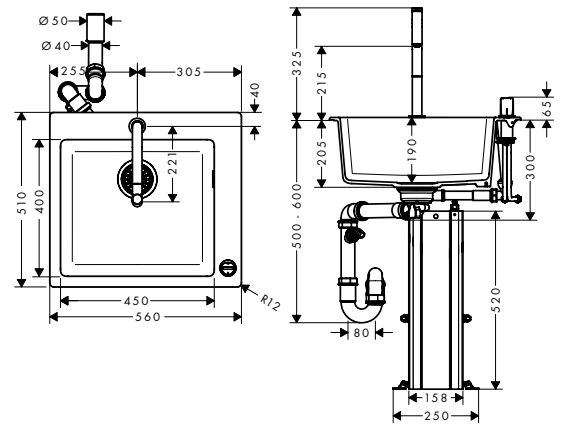


C51
C51-F450-06 Sink combi 450 Select
43217, -000



Base unit
60 cm

Installation type
Top Mounted



Features

- consists of: built-in sink, 2-hole single lever kitchen mixer, control unit, hose box, manual waste and overflow set
- material sink: SilicaTec
- number of bowls: 1 main bowl
- tap hole for drilling is predefined (see scale drawing)
- sink depth: 190 mm
- cut-out dimensions: 540 x 490 mm
- cabinet size: 60 cm
- type of installation: topmount
- position overflow: on the right side of the bowl
- connection type: G 3/8 connections
- connection dimension: DN15
- suitable for continuous flow water heaters
- ceramic cartridge
- MagFit magnetic shower support
- integrated non-return valve
- swivel range 150°
- laminar spray, shower spray
- ComfortZone 200
- Select button for a comfortable start/stop of the water flow
- sBox for quiet, smooth and protected hose guidance in the cabinet, under the countertop
- extension length up to 76 cm
- maximum flow rate at 3 bar: 8 l/min

Consisting of

- 73818XXX Stainless steel sink
- 43312XXX 2-hole single lever kitchen mixer
- 43927XXX 200, pull-out spray, 2jet, sBox
- S510-F450 Built-in sink 450
- D16-10 Manual waste and overflow set for single bowl granite

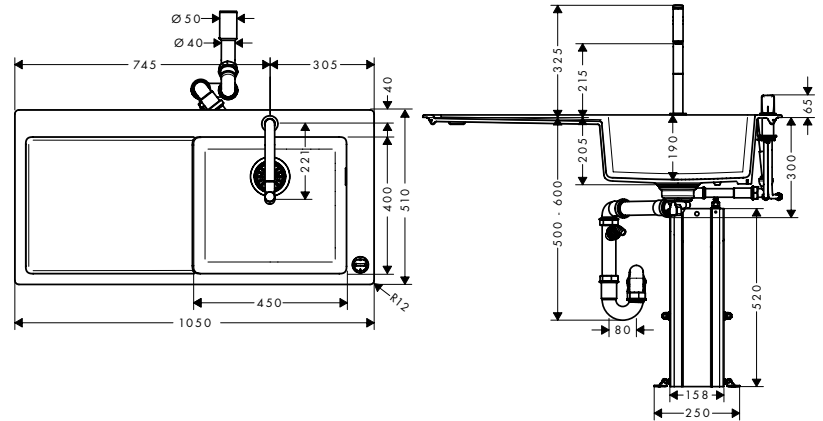


C51
C51-F450-08 Sink combi 450 Select
with drainboard left
43219, -000



Base unit
60 cm

Installation type
Top Mounted



Features

- consists of: built-in sink, 2-hole single lever kitchen mixer, control unit, hose box, manual waste and overflow set
- for installation in worktops from 20 mm
- material sink: SilicaTec
- number of bowls: 1 main bowl
- with drainage
- tap hole for drilling is predefined (see scale drawing)
- orientation: bowl right
- sink depth: 190 mm
- cut-out dimensions: 1030 x 490 mm
- cabinet size: 60 cm
- type of installation: topmount
- position overflow: on the right side of the bowl
- connection type: G 3/8 connections
- connection dimension: DN15
- suitable for continuous flow water heaters
- ceramic cartridge
- MagFit magnetic shower support
- integrated non-return valve
- swivel range 150°
- laminar spray, shower spray
- ComfortZone 200
- Select button for a comfortable start/stop of the water flow
- sBox for quiet, smooth and protected hose guidance in the cabinet, under the countertop
- extension length up to 76 cm
- maximum flow rate at 3 bar: 8 l/min

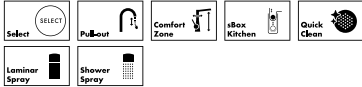
Consisting of

- 43314XXX Stainless steel sink
- 43312XXX S514-F450 Built-in sink 450 with drainboard left
- 73818XXX 2-hole single lever kitchen mixer
- 43927XXX 200, pull-out spray, 2jet, sBox
- D16-10 Manual waste and overflow set for single bowl granite

Figures given for dimensional drawings are in mm. We reserve the right to make technical modifications and changes to the units of measurement.



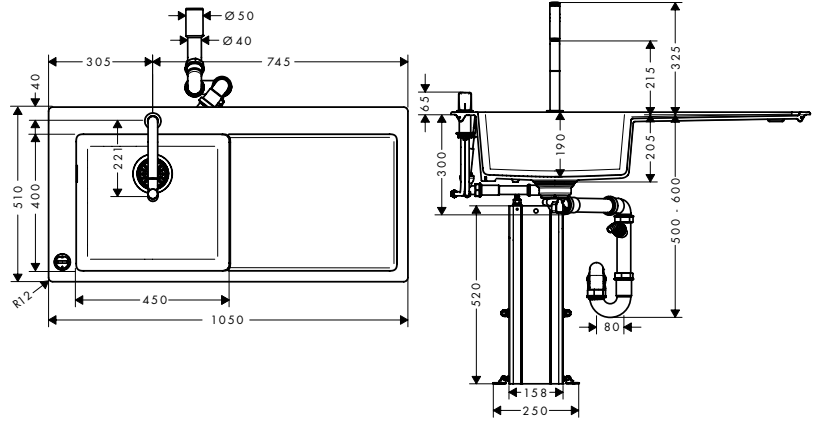
C51
C51-F450-12 Sink combi 450 Select
with drainboard right
43228, -000



Base unit

60 cm

Installation type



Features

- consists of: built-in sink, 2-hole single lever kitchen mixer, control unit, hose box, automatic waste and overflow set
- material sink: SilicaTec
- number of bowls: 1 main bowl
- with drainage
- tap hole for drilling is predefined (see scale drawing)
- orientation: bowl left
- sink depth: 190 mm
- cut-out dimensions: 1030 x 490 mm
- cabinet size: 60 cm
- type of installation: topmount
- position overflow: on the left side of the bowl
- connection type: G 3/8 connections
- connection dimension: DN15
- suitable for continuous flow water heaters
- ceramic cartridge
- MagFit magnetic shower support
- integrated non-return valve
- swivel range 150°
- laminar spray, shower spray

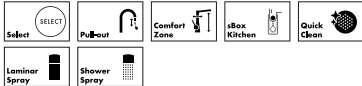
- ComfortZone 200
- Select button for a comfortable start/stop of the water flow
- sBox for quiet, smooth and protected hose guidance in the cabinet, under the countertop
- extension length up to 76 cm
- maximum flow rate at 3 bar: 8 l/min

Consisting of

- 43330XXX Stainless steel sink S5110-F450 Built-in sink 450 with drainboard right
- 43927XXX D16-10 Manual waste and overflow set for single bowl granite
- 73818XXX 2-hole single lever kitchen mixer 200, pull-out spray, 2jet, sBox



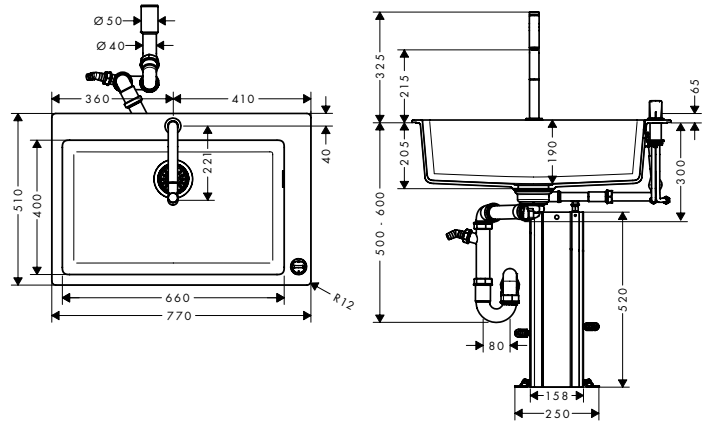
C51
C51-F660-07 Sink combi 660 Select
43218, -000



Base unit

80 cm

Installation type



Features

- consists of: built-in sink, 2-hole single lever kitchen mixer, control unit, hose box, manual waste and overflow set
- material sink: SilicaTec
- number of bowls: 1 main bowl
- tap hole for drilling is predefined (see scale drawing)
- sink depth: 190 mm
- cut-out dimensions: 750 x 490 mm
- cabinet size: 80 cm
- type of installation: topmount
- position overflow: on the right side of the bowl
- connection type: G 3/8 connections
- connection dimension: DN15
- suitable for continuous flow water heaters
- ceramic cartridge
- MagFit magnetic shower support
- integrated non-return valve
- swivel range 150°
- laminar spray, shower spray
- ComfortZone 200

- Select button for a comfortable start/stop of the water flow
- sBox for quiet, smooth and protected hose guidance in the cabinet, under the countertop
- extension length up to 76 cm
- maximum flow rate at 3 bar: 8 l/min

Consisting of

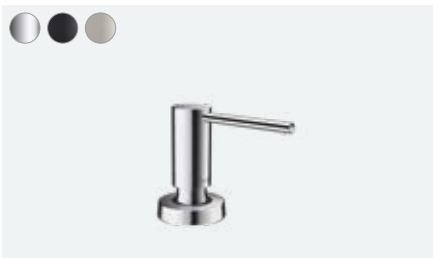
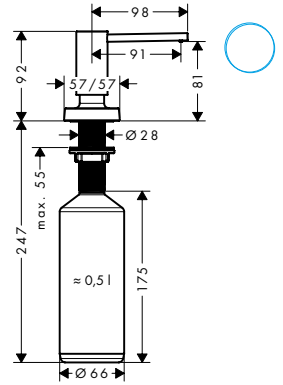
- 73818XXX Stainless steel sink 2-hole single lever kitchen mixer 200, pull-out spray, 2jet, sBox
- 43313XXX S510-F660 Built-in sink 660
- 43927XXX D16-10 Manual waste and overflow set for single bowl granite



A71 Soap-/ lotion dispenser
40468, -000, -670, -800

Features

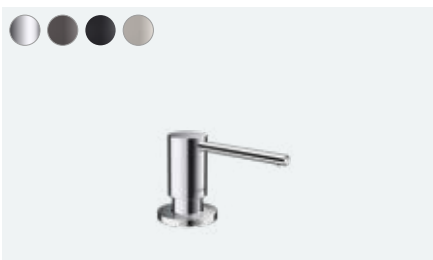
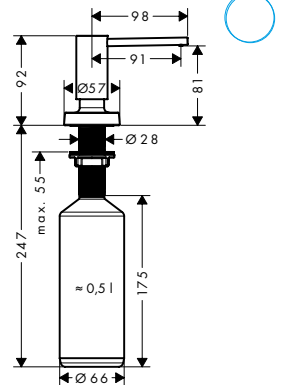
- suitable for matched design to selected kitchen mixers
- projection 91 mm
- material: durable metal construction
- non-corroding outlet pipe
- filling capacity 500 ml
- dosage 2 ml
- easy to fill up from the top
- for installation in worktops up to 55 mm
- easy and save installation without tools needed
- mounting hole with 28–35 mm diameter needed



A51 Soap-/ lotion dispenser
40448, -000, -670, -800

Features

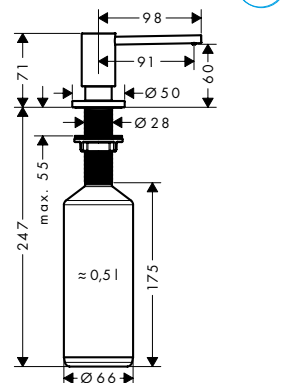
- suitable for matched design to selected kitchen mixers
- projection 91 mm
- material: durable metal construction
- non-corroding outlet pipe
- filling capacity 500 ml
- dosage 2 ml
- easy to fill up from the top
- for installation in worktops up to 55 mm
- easy and save installation without tools needed
- mounting hole with 28–35 mm diameter needed



A41 Soap-/ lotion dispenser
40438, -000, -340, -670, -800

Features

- suitable for matched design to selected kitchen mixers
- projection 91 mm
- material: durable metal construction
- non-corroding outlet pipe
- filling capacity 500 ml
- dosage 2 ml
- easy to fill up from the top
- for installation in worktops up to 55 mm
- easy and save installation without tools needed
- mounting hole with 28–35 mm diameter needed

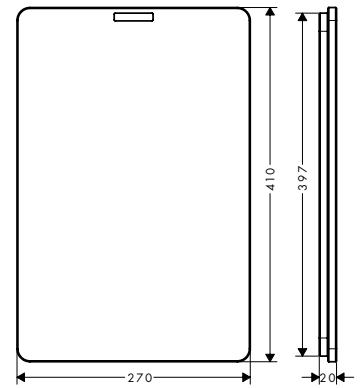




F15 Cutting board walnut
40960000

Features

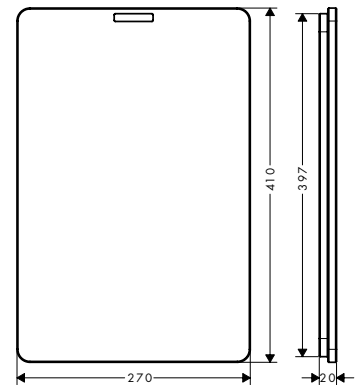
- perfect to work in and outside of the sink
- suitable for S51 SilicaTec sinks,
S71 Stainless steel sinks
- material: walnut



F16 Cutting board oak
40961000

Features

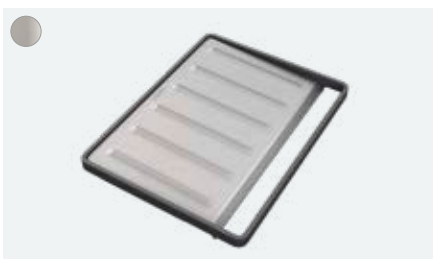
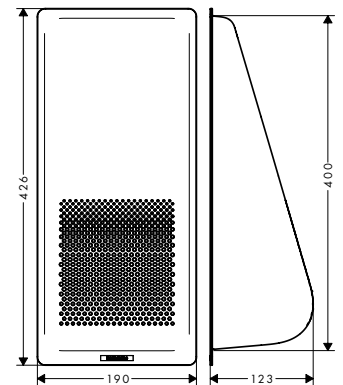
- perfect to work in and outside of the sink
- suitable for S51 SilicaTec sinks,
S71 Stainless steel sinks
- material: oak



F14 Multifunctional strainer
40963000

Features

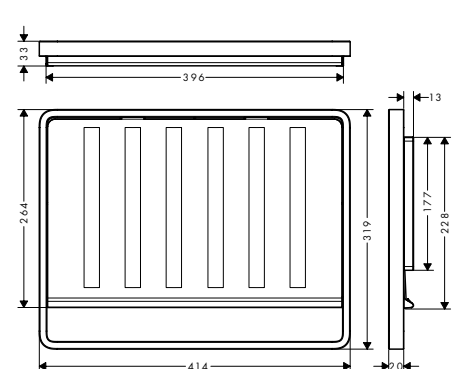
- ideal to clean fruits and vegetables or to pour out noodles
- suitable for S51 SilicaTec sinks,
S71 Stainless steel sinks, kitchen sinks
with a depth of 400 mm and 406 mm
- material: plastic



F17 Mobile drainboard
40962, -800

Features

- perfect to unfreeze food
- for safe storage of glasses and bulky dishes
- high functionality, water can run off easily into the sink
- suitable for S51 SilicaTec sinks,
S71 Stainless steel sinks
- material: plastic/stainless steel





F13 spray former SoftStart M24x1 chrome
92517, -000, -800

Features

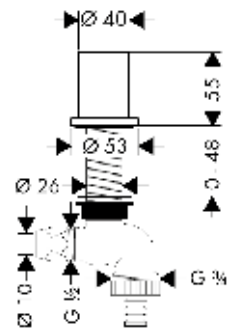
- thread dimension: M24x1
- flow rate: 15 l/min
- usage: kitchen mixer



Kitchen device shut-off valve
10823, -000, -800

Features

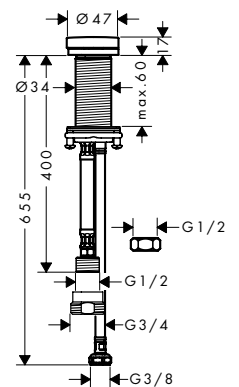
- for counter surfaces up to 47 mm thick
- shaft \varnothing 27 mm
- non-return valve
- connection dimension DN15
- device connection DN20



Talis M54
F21- Shut-off valve for concealed installation
72841, -000, -670, -800

Features

- connection dimension: G $\frac{1}{2}$ inclusive adapter G $\frac{3}{4}$
- clamping range: 0-60 mm
- diameter drill hole: 35 mm
- diameter: 48.0 mm
- device shut-off valve for installation in kitchen sinks and worktops





A11 turning handle for eccentric operation
40953, -670, -800

Features

- material: metal



A10 drain cover
40952, -800

Features

- stainless steel sinks with 3½" basket strainer
- material: plastic



F12 compensating element for sBox
43333000

Features

- for height compensation of the sBox up to 100 mm





D14-10 Manual waste and overflow set
for single bowl
43921, -800

Features

- consists of: waste and overflow set, screen basket, trap
- drain system: drain operation via pushing/pulling screen basket
- diameter 40/50
- 1½" with space-saving drain pipe and odor trap
- screen basket: 3½"



D14-11 Automatic waste and overflow set
for single bowl
43931, -800

Features

- turning handle for eccentric operation in chrome
- consists of: waste and overflow set, pop-up waste set, trap
- drain system: drain operation via turning pop-up handle
- diameter 40/50
- 1½" with space-saving drain pipe and odor trap
- screen basket: 3½"



D15-10 Manual waste and overflow set
for double bowl
43922, -800

Features

- consists of: waste and overflow set, screen basket, trap
- drain system: drain operation of main bowl and additional bowl via pushing/pulling screen basket
- diameter 40/50
- 1½" with space-saving drain pipe and odor trap
- screen basket: 3½"



D15-11 Automatic waste and overflow set
for double bowl
43932, -800

Features

- turning handle for eccentric operation in chrome
- consists of: waste and overflow set, pop-up waste set, trap
- drain system: drain operation of main bowl via turning pop-up handle and additional bowl via pushing/pulling screen basket
- diameter 40/50
- 1½" with space-saving drain pipe and odor trap
- screen basket: 3½"





D16-10 Manual waste and overflow set for single bowl granite
43927, -000

Features

- consists of: waste and overflow set, screen basket, trap
- drain system: drain operation via pushing/pulling screen basket
- diameter 40/50
- 1½" with space-saving drain pipe and odor trap
- screen basket: 3½"



D16-11 Automatic waste and overflow set for single bowl granite
43937, -000

Features

- consists of: waste and overflow set, pop-up waste set, trap
- drain system: drain operation via turning pop-up handle
- diameter 40/50
- 1½" with space-saving drain pipe and odor trap
- screen basket: 3 ½"



D17-10 Manual waste and overflow set for double bowl granite
43928, -000

Features

- consists of: waste and overflow set, screen basket, trap
- drain system: drain operation of main bowl and additional bowl via pushing/pulling screen basket
- diameter 40/50
- 1½" with space-saving drain pipe and odor trap
- screen basket: 3½"



D17-11 Automatic waste and overflow set for double bowl granite
43938, -000

Features

- consists of: waste and overflow set, pop-up waste set, trap
- drain system: drain operation of main bowl via turning pop-up handle and additional bowl via pushing/pulling screen basket
- diameter 40/50
- 1½" with space-saving drain pipe and odor trap
- screen basket: 3½"



D16-10 Manual waste and overflow set for single bowl granite
43927, -000

Features

- consists of: waste and overflow set, screen basket, trap
- drain system: drain operation via pushing/pulling screen basket
- diameter 40/50
- 1½" with space-saving drain pipe and odor trap
- screen basket: 3½"



D16-11 Automatic waste and overflow set for single bowl granite
43937, -000

Features

- consists of: waste and overflow set, pop-up waste set, trap
- drain system: drain operation via turning pop-up handle
- diameter 40/50
- 1½" with space-saving drain pipe and odor trap
- screen basket: 3 ½"



D17-10 Manual waste and overflow set for double bowl granite
43928, -000

Features

- consists of: waste and overflow set, screen basket, trap
- drain system: drain operation of main bowl and additional bowl via pushing/pulling screen basket
- diameter 40/50
- 1½" with space-saving drain pipe and odor trap
- screen basket: 3½"



D17-11 Automatic waste and overflow set for double bowl granite
43938, -000

Features

- consists of: waste and overflow set, pop-up waste set, trap
- drain system: drain operation of main bowl via turning pop-up handle and additional bowl via pushing/pulling screen basket
- diameter 40/50
- 1½" with space-saving drain pipe and odor trap
- screen basket: 3½"



All products are subject to availability. Availability can be temporarily reduced by material shortages, interruptions in the supply chain or other events of force majeure. Please contact us for further details.

Headquarters

Hansgrohe SE · P.O. Box 1145 · D-77757 Schiltach
Tel. +49 7836 51-0 · Fax +49 7836 51-1300
info@hansgrohe.com · hansgrohe-int.com

Estonia – Hansgrohe Eesti esindaja Andrus Asavi · Maealuse 2/1 · 12618 Tallinn
Tel. +372 53 32 92 55 · Fax +372 56 00 00 55 · info@hansgrohe.ee · www.hansgrohe.ee

Latvia – Hansgrohe Latvijas pārstāvniecība · SIA Aqua Studio · Raiņa iela 14 · LV-3913 Iecava
Tel. +371 29 22 90 29 · Fax +371 63 94 22 51 · info@hansgrohe.lv · www.hansgrohe.lv

Lithuania – Santoza · Ulonų g. 5 · LT-08240 Vilnius · Tel. +370 5 2043291
Fax +370 5 2043293 · info@hansgrohe.lt · www.hansgrohe.lt

Please bear in mind that we can present only a selection of our products in this sales manual.
Our full range can be found at www.hansgrohe-int.com.



Discover hansgrohe online and on social media

en-EX-Sales manual Kitchen 2022 · Subject to technical alterations and colour differences due to the printing process.
Form-Nr. 84 121 099 · 05/22/1.55 · Printed in Germany · Printed on 100% chlorine free bleached paper.



hansgrohe Kitcher Sales Manual

hansgrohe